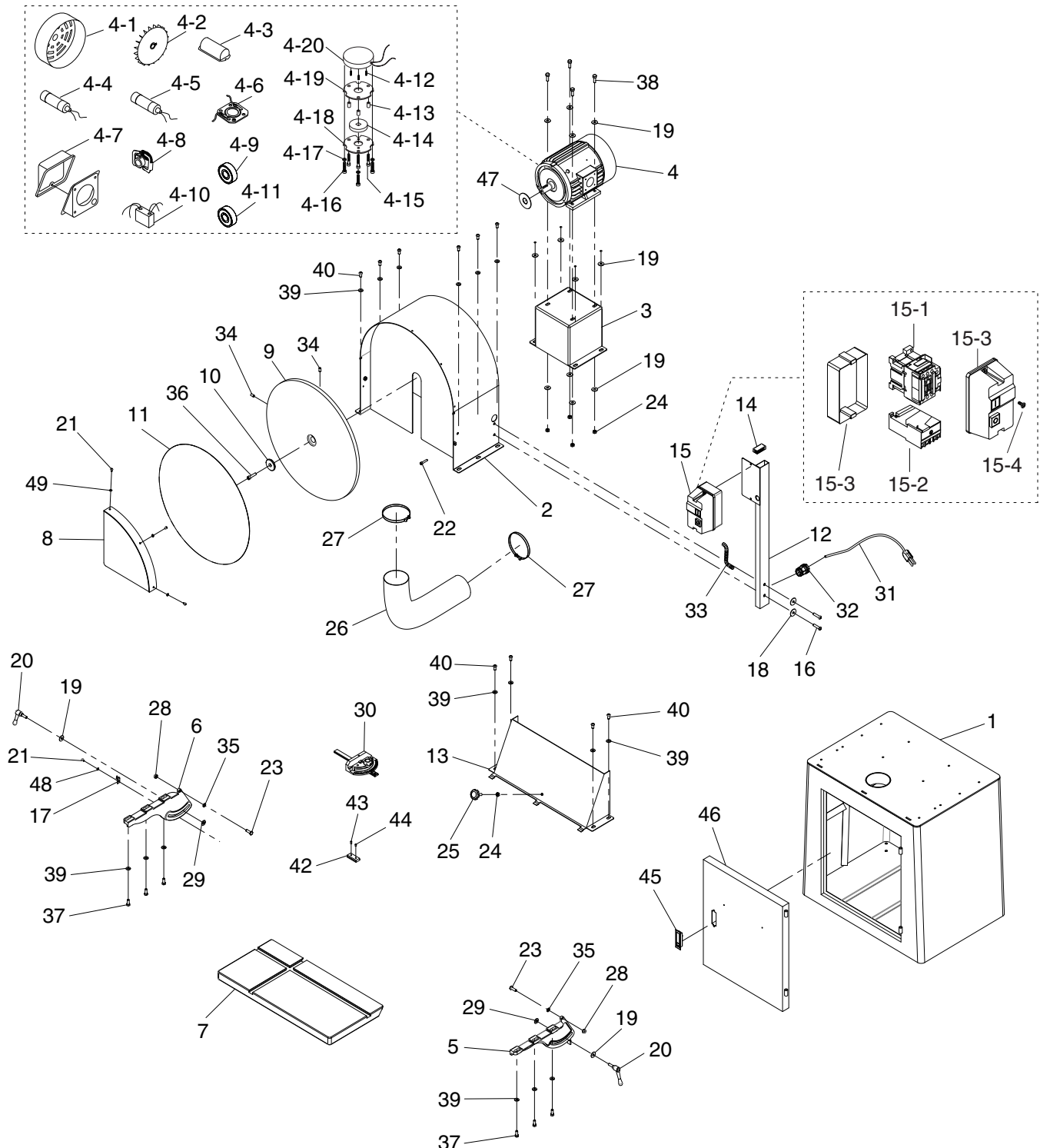


# SECTION 9: PARTS

## Main Breakdown



**Please Note:** We do our best to stock replacement parts whenever possible, but we cannot guarantee that all parts shown here are available for purchase. Call (800) 523-4777 or visit our online parts store at [www.grizzly.com](http://www.grizzly.com) to check for availability.



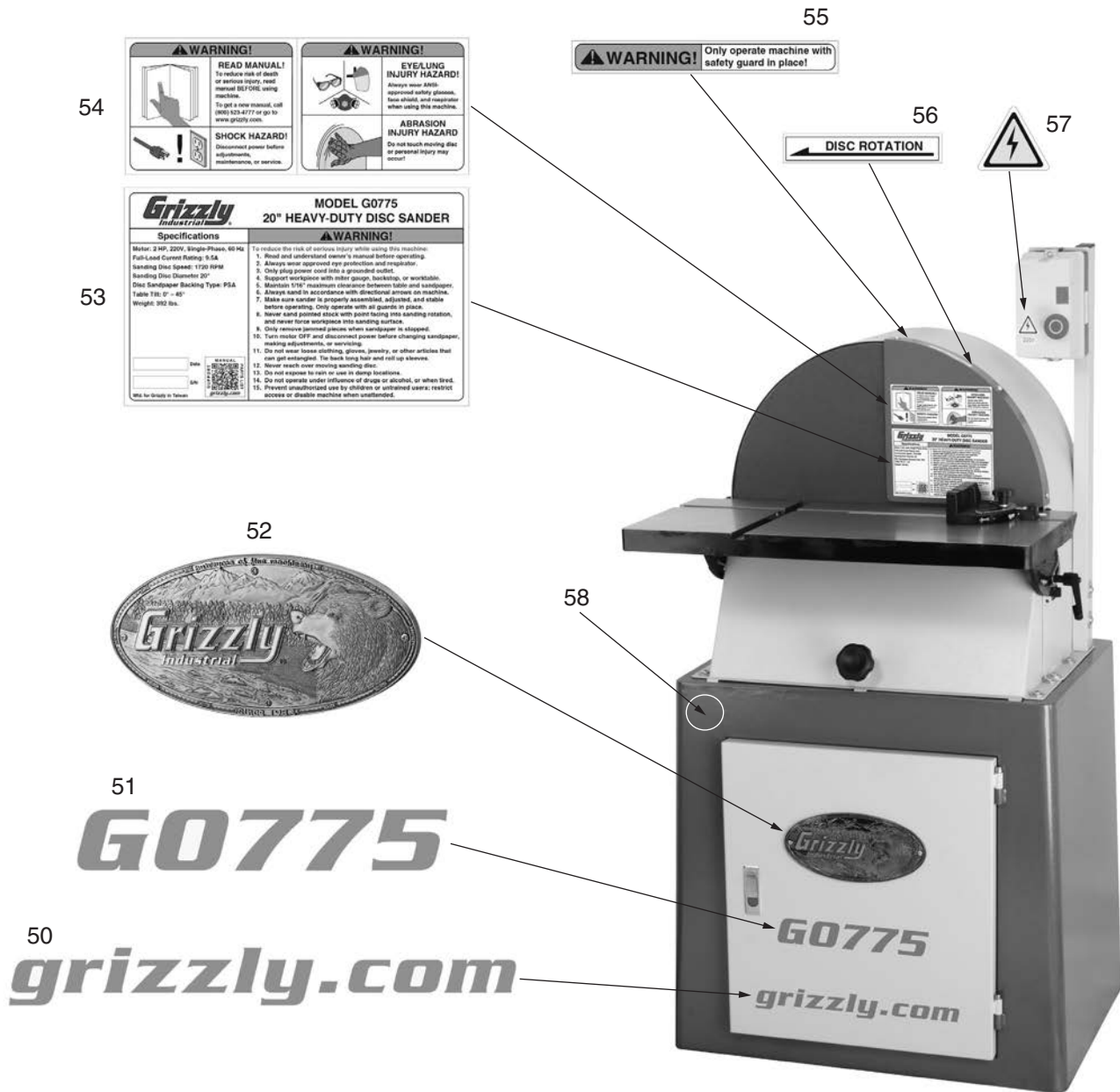
# Main Parts List

REF	PART #	DESCRIPTION
1	P0775001	BASE
2	P0775002	DISC COVER
3	P0775003	MOTOR BASE
4	P0775004	MOTOR 2HP 220V 1-PH
4-1	P0775004-1	MOTOR FAN COVER
4-2	P0775004-2	MOTOR FAN
4-3	P0775004-3	CAPACITOR COVER
4-4	P0775004-4	S CAPACITOR 150M 250V 1-3/4 X 3-1/2
4-5	P0775004-5	R CAPACITOR 30M 350V 1-1/2 X 2-1/2
4-6	P0775004-6	CONTACT PLATE
4-7	P0775004-7	MOTOR JUNCTION BOX
4-8	P0775004-8	CENTRIFUGAL SWITCH
4-9	P0775004-9	BALL BEARING 6203ZZ
4-10	P0775004-10	REGULATOR SWITCH
4-11	P0775004-11	BALL BEARING 6204ZZ
4-12	P0775004-12	COMPRESSION SPRING
4-13	P0775004-13	SPACER
4-14	P0775004-14	BRAKE PAD
4-15	P0775004-15	SHOULDER SCREW M5-.8 X 25, 8 X 35 BLK
4-16	P0775004-16	CAP SCREW M6-1 X 30 SS
4-17	P0775004-17	FLAT WASHER 6MM
4-18	P0775004-18	OUTSIDE PLATE
4-19	P0775004-19	INSIDE PLATE
4-20	P0775004-20	MOTOR BRAKE MCN CB-08-CS DC-90V
5	P0775005	TABLE BRACKET (R)
6	P0775006	TABLE BRACKET (L)
7	P0775007	TABLE
8	P0775008	DISC GUARD
9	P0775009	DISC PLATEN 20"
10	P0775010	FLANGE WASHER 8MM
11	P0775011	SANDING DISC 20" 100-GRIT PSA
12	P0775012	SWITCH PEDESTAL
13	P0775013	DUST COLLECTION HOOD
14	P0775014	PLASTIC CAP 50 X 25MM
15	P0775015	MAG SWITCH ASSY NHD MS1-09D
15-1	P0775015-1	CONTACTOR NHD C-09D

REF	PART #	DESCRIPTION
15-2	P0775015-2	OL RELAY NHD NTH-11 8-11A
15-3	P0775015-3	MAG SWITCH COVER ASSY
15-4	P0775015-4	MAG SWITCH COVER SCREW
16	P0775016	BUTTON HD CAP SCR M8-1.25 X 35
17	P0775017	POINTER
18	P0775018	FENDER WASHER 8MM
19	P0775019	FLAT WASHER 8MM
20	P0775020	ADJUSTABLE HANDLE M8-1.25 X 25
21	P0775021	PHLP HD SCR M5-.8 X 8
22	P0775022	CAP SCREW M6-1 X 30
23	P0775023	BUTTON HD CAP SCR M8-1.25 X 25
24	P0775024	HEX NUT M8-1.25
25	P0775025	KNOB M8-1.25 X 40
26	P0775026	FLEXIBLE HOSE 4" X 22-7/8"
27	P0775027	HOSE CLAMP 4"
28	P0775028	LOCK NUT M8-1.25
29	P0775029	FLAT WASHER 8MM PLASTIC
30	P0775030	MITER GAUGE ASSY
31	P0775031	POWER CORD 14G 3W 72" 6-15P
32	P0775032	STRAIN RELIEF 5/16"-3/8" 90D PLASTIC
33	P0775033	MOTOR CORD 14G 3W 25"
34	P0775034	SET SCREW M8-1.25 X 15
35	P0775035	LOCK WASHER 8MM
36	P0775036	CAP SCREW M8-1.25 X 35
37	P0775037	HEX BOLT M8-1.25 X 20
38	P0775038	HEX BOLT M8-1.25 X 25
39	P0775039	FLAT WASHER 8MM
40	P0775040	BUTTON HD CAP SCR M8-1.25 X 16
42	P0775042	RADIUS SANDING ATTACHMENT
43	P0775043	SET SCREW M5-.8 X 10 CONE-PT
44	P0775044	SET SCREW M5-.8 X 8 DOG-PT
45	P0775045	DOOR LATCH
46	P0775046	DOOR
47	P0775047	FLAT WASHER 30 X 65MM RUBBER
48	P0775048	FLAT WASHER #10
49	P0775049	EXT TOOTH WASHER 5MM



# Labels and Cosmetics



REF	PART #	DESCRIPTION
50	P0775050	GRIZZLY.COM LABEL
51	P0775051	MODEL NUMBER LABEL
52	P0775052	GRIZZLY NAMEPLATE SMALL G8588
53	P0775053	MACHINE ID LABEL

REF	PART #	DESCRIPTION
55	P0775055	SAFETY GUARD WARNING LABEL
56	P0775056	ROTATION WARNING LABEL
57	P0775057	ELECTRICITY LABEL
58	P0775058	GRIZZLY GREEN TOUCH-UP PAINT

**⚠ WARNING**

Safety labels help reduce the risk of serious injury caused by machine hazards. If any label comes off or becomes unreadable, the owner of this machine **MUST** replace it in the original location before resuming operations. For replacements, contact (800) 523-4777 or [www.grizzly.com](http://www.grizzly.com).

