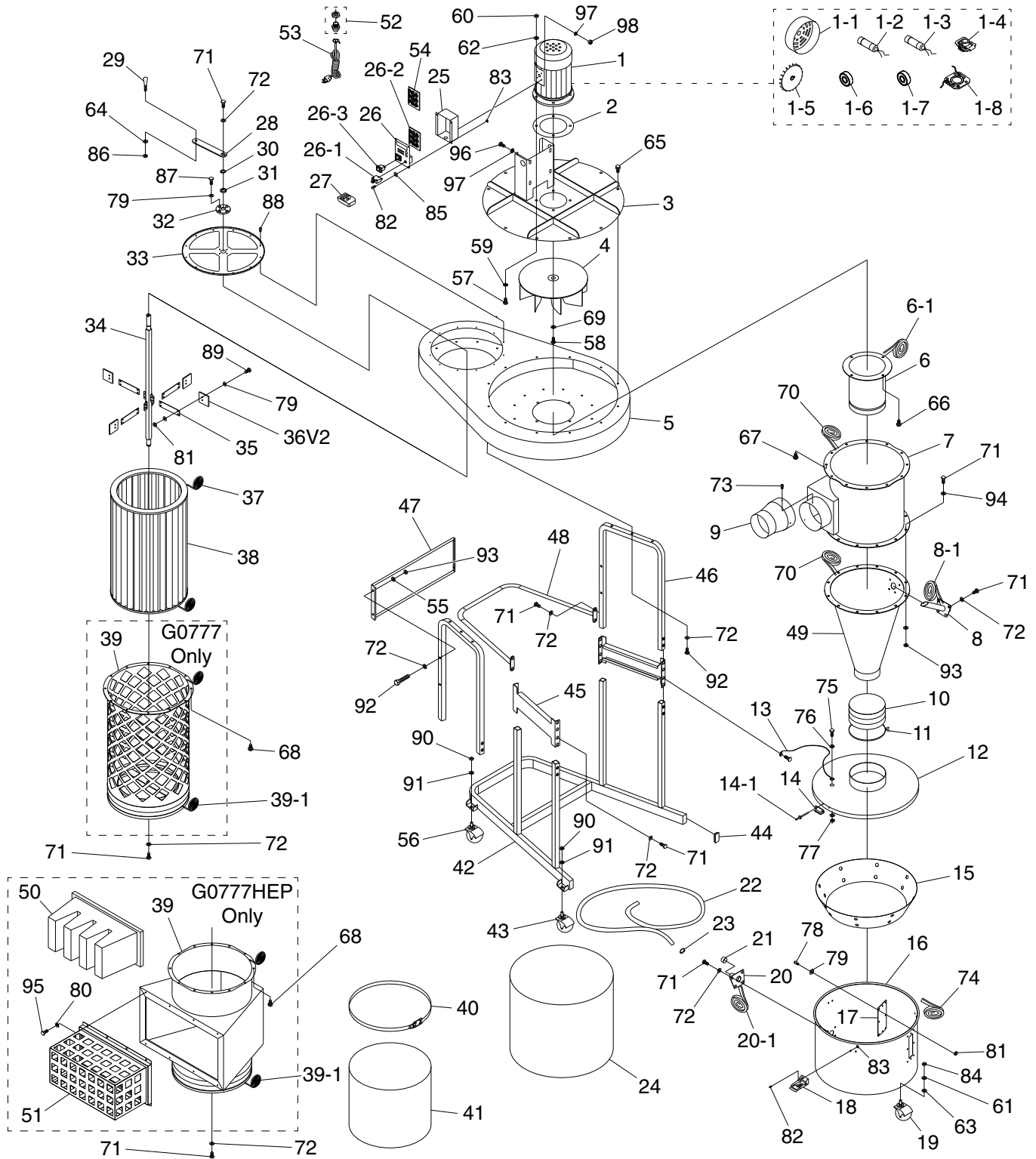


SECTION 10: PARTS

We do our best to stock replacement parts when possible, but we cannot guarantee that all parts shown are available for purchase. Call (800) 523-4777 or visit www.grizzly.com/parts to check for availability.

Main



Main Parts List

REF	PART #	DESCRIPTION
1	P0777001	MOTOR 1-1/2HP 110V/220V 1-PH
1-1	P0777001-1	MOTOR FAN COVER
1-2	P0777001-2	S CAPACITOR 400M 125V 1-3/8 X 2-5/8
1-3	P0777001-3	R CAPACITOR 60M 250V 1-3/8 X 3-3/8
1-4	P0777001-4	CENTRIFUGAL SWITCH
1-5	P0777001-5	MOTOR FAN
1-6	P0777001-6	BALL BEARING 6205ZZ (FRONT)
1-7	P0777001-7	BALL BEARING 6203ZZ (REAR)
1-8	P0777001-8	CONTACT PLATE
2	P0777002	MOTOR GASKET
3	P0777003	MOTOR MOUNT PLATE
4	P0777004	IMPELLER 24" ALUMINUM
5	P0777005	BLOWER HOUSING
6	P0777006	INTAKE CYLINDER 8"
6-1	P0777006-1	INTAKE CYLINDER SEAL
7	P0777007	INTAKE BARREL
8	P0777008	FUNNEL SUCTION PIPE
8-1	P0777008-1	FUNNEL SUCTION PIPE SEAL
9	P0777009	INLET RESTRICTOR 5" X 6"
10	P0777010	DUST HOSE CLEAR 5" X 6"
11	P0777011	HOSE CLAMP 5"
12	P0777012	COLLECTION DRUM LID, 5" PORT
13	P0777013	GROUND WIRE 12G 36"
14	P0777014	LATCH HOOK
14-1	P0777014-1	BLIND RIVET
15	P0777015	VACUUM SUCTION PLATE
16	P0777016	COLLECTION DRUM
17	P0777017	COLLECTION DRUM WINDOW (ACRYLIC)
18	P0777018	DRUM LID LATCH
19	P0777019	CASTER 2"
20	P0777020	DRUM SUCTION PIPE
20-1	P0777020-1	DRUM SUCTION PIPE SEAL
21	P0777021	HOSE PLUG 1-1/8" (PLASTIC)
22	P0777022	DUST HOSE 1-1/8" X 6-1/2'
23	P0777023	HOSE CLAMP 1-1/8"
24	P0777024	PLASTIC BAG 610MM X 700MM
25	P0777025	REMOTE RECEIVER BOX
26	P0777026	REMOTE CONTROL PANEL
26-1	P0777026-1	CIRCUIT BREAKER ZING EAR ZE-700 125V 25A
26-2	P0777026-2	CIRCUIT BOARD SF527 110V
26-3	P0777026-3	ROCKER SWITCH ENEC 125V 20A
27	P0777027	REMOTE CONTROLLER 256 CODE
28	P0777028	PADDLE CRANK ARM
29	P0777029	HANDLE 3/8-16, 1-3/8 X 4-7/16 (PLASTIC)
30	P0777030	EXT RETAINING RING 20MM
31	P0777031	PADDLE SHAFT SEAL
32	P0777032	PADDLE SHAFT CAP
33	P0777033	CARTRIDGE FILTER COVER PLATE
34	P0777034	PADDLE SHAFT
35	P0777035	PADDLE BRACKET
36V2	P0777036V2	PADDLE V2.04.19
37	P0777037	CANISTER FILTER SEAL
38	P0777038	CANISTER FILTER 386DIA X 534L
39	P0777039	CANISTER FILTER CAGE (G0777)
39	P0777HEP039	CANISTER FILTER CAGE (G0777HEP)
39-1	P0777039-1	CANISTER FILTER CAGE SEAL (G0777)
39-1	P0777HEP039-1	CANISTER FILTER CAGE SEAL (G0777HEP)
40	P0777040	BAG CLAMP 400MM

REF	PART #	DESCRIPTION
41	P0777041	PLASTIC BAG 400 X 600MM
42	P0777042	LOWER FRAME
43	P0777043	CASTER 2-1/2" (LOCKING)
44	P0777044	FRAME END CAP 22 X 47MM
45	P0777045	FRAME BRACE
46	P0777046	UPPER FRAME
47	P0777047	FRAME SUPPORT PLATE
48	P0777048	FRAME HANDLE
49	P0777049	CYCLONE FUNNEL
50	P0777HEP050	HEPA FILTER 595 X 295 X 300 (G0777HEP)
51	P0777HEP051	HEPA FILTER CAGE (G0777HEP)
52	P0777052	STRAIN RELIEF M20-1.5 TYPE-3
53	P0777053	POWER CORD 12G 3W 72" 5-15P
54	P0777054	CIRCUIT BOARD FOR 220V CONVERSION
55	P0777055	FLAT WASHER 5/16
56	P0777056	CASTER 2-1/2"
57	P0777057	HEX BOLT 3/8-16 X 1
58	P0777058	HEX BOLT 3/8-16 X 1
59	P0777059	EXT TOOTH WASHER 3/8
60	P0777060	HEX NUT 3/8-16
61	P0777061	HEX NUT 3/8-16
62	P0777062	FENDER WASHER 3/8
63	P0777063	FENDER WASHER 3/8
64	P0777064	FENDER WASHER 3/8
65	P0777065	HEX BOLT 5/16-18 X 5/8
66	P0777066	HEX BOLT 5/16-18 X 5/8
67	P0777067	HEX BOLT 5/16-18 X 5/8
68	P0777068	HEX BOLT 5/16-18 X 5/8
69	P0777069	IMPELLER WASHER 3/8 X 1-3/4 X 1/8
70	P0777070	FOAM TAPE 3 X 6MM
71	P0777071	HEX BOLT 5/16-18 X 3/4
72	P0777072	FENDER WASHER 5/16
73	P0777073	TAP SCREW M4 X 12
74	P0777074	COLLECTION DRUM SEAL 5 X 50MM
75	P0777075	HEX BOLT M5-.8 X 12 (COPPER)
76	P0777076	EXT TOOTH WASHER 5MM
77	P0777077	HEX NUT M5-.8 (COPPER)
78	P0777078	PHLP HD SCR 1/4-20 X 1/2
79	P0777079	FENDER WASHER 1/4
80	P0777HEP080	FENDER WASHER 1/4 (G0777HEP)
81	P0777081	HEX NUT 1/4-20
82	P0777082	PHLP HD SCR 10-24 X 3/8
83	P0777083	HEX NUT 10-24
84	P0777084	LOCK WASHER 3/8
85	P0777085	FLAT WASHER #10
86	P0777086	LOCK NUT 3/8-16
87	P0777087	HEX BOLT 1/4-20 X 1
88	P0777088	PHLP HD SCR 10-24 X 1/2
89	P0777089	HEX BOLT 1/4-20 X 5/8
90	P0777090	LOCK WASHER 1/2
91	P0777091	HEX NUT 1/2-13
92	P0777092	HEX BOLT 5/16-18 X 1-1/2
93	P0777093	HEX NUT 5/16-18
94	P0777094	FLAT WASHER 5/16
95	P0777HEP095	HEX BOLT 1/4-20 X 3/4 (G0777HEP)
96	P0777096	HEX BOLT 3/8-16 X 1-1/4
97	P0777097	FENDER WASHER 3/8
98	P0777098	HEX NUT 3/8-16



Labels



REF	PART #	DESCRIPTION
101	P0777101	ELECTRICITY LABEL
102	P0777102	MACHINE ID LABEL (G0777)
102	P0777HEP102	MACHINE ID LABEL (G0777HEP)
103	P0777103	EYE/LUNG INJURY HAZARD LABEL
104	P0777104	REMOTE CONTROL GRIZZLY LABEL

REF	PART #	DESCRIPTION
105	P0777105	GRIZZLY.COM LABEL
106	P0777106	MODEL NUMBER LABEL (G0777)
106	P0777HEP106	MODEL NUMBER LABEL (G0777HEP)
107	P0777107	READ MANUAL LABEL
108	P0777108	TOUCH-UP PAINT, GRIZZLY GREEN

⚠ WARNING

Safety labels help reduce the risk of serious injury caused by machine hazards. If any label comes off or becomes unreadable, the owner of this machine **MUST** replace it in the original location before resuming operations. For replacements, contact (800) 523-4777 or www.grizzly.com.

