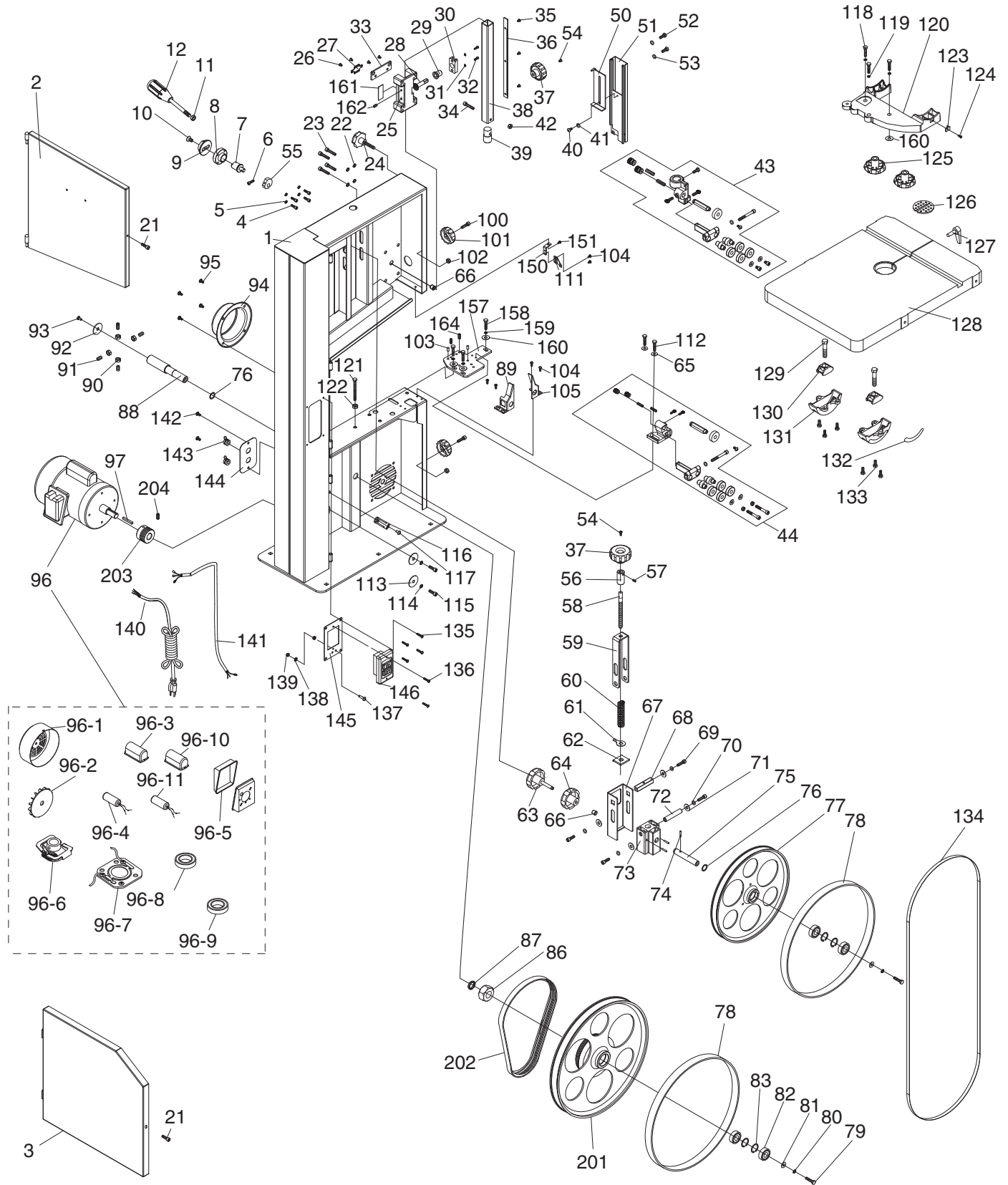


Main Parts Breakdown



Main Parts List

REF	PART #	DESCRIPTION
1	P0778001	BODY
2	P0778002	UPPER WHEEL DOOR
3	P0778003	LOWER WHEEL DOOR
4	P0778004	CAP SCREW M6-1 X 10
5	P0778005	LOCK WASHER 6MM
6	P0778006	CAP SCREW M5-.8 X 12
7	P0778007	BIAS SHAFT
8	P0778008	BIAS SHAFT CLAMP SEAT
9	P0778009	TENSION ADJUSTMENT HUB
10	P0778010	CAP SCREW M8-1.25 X 20
11	P0778011	HEX NUT M8-1.25
12	P0778012	TENSION HANDLE
21	P0778021	CAP SCREW M6-1 X 10
22	P0778022	LOCK WASHER 8MM
23	P0778023	CAP SCREW M8-1.25 X 20
24	P0778024	LOCK KNOB M8-1.25 X 20
25	P0778025	UPPER GUIDE POST SUPPORT
26	P0778026	FLAT HD SCR M4-.7 X 6
27	P0778027	SPRING TENSIONER
28	P0778028	ADJUSTMENT GEAR SHAFT
29	P0778029	BUSHING
30	P0778030	GEAR SHAFT BRACKET
31	P0778031	LOCK WASHER 6MM
32	P0778032	CAP SCREW M6-1 X 10
33	P0778033	COVER PLATE
34	P0778034	CAP SCREW M6-1 X 35
35	P0778035	FLAT HD SCR M4-.7 X 6
36	P0778036	RACK
37	P0778037	HAND KNOB M10-1.5
38	P0778038	GUIDE POST
39	P0778039	CHANGE SHAFT
40	P0778040	PHLP HD SCR M6-1 X 12
41	P0778041	WASHER 6MM PLASTIC
42	P0778042	LOCK NUT M6-1
43	P0778043	UPPER BLADE GUIDE ASSEMBLY
44	P0778044	LOWER BLADE GUIDE ASSEMBLY
50	P0778050	SLIDING BLADE GUARD
51	P0778051	BLADE GUARD
52	P0778052	HEX BOLT M6-1 X 8
53	P0778053	FLAT WASHER 6MM
54	P0778054	FLANGE SCREW M6-1 X 8
55	P0778055	CAM
56	P0778056	LOCK COLLAR
57	P0778057	SET SCREW M5-.8 X 5
58	P0778058	TENSION ADJUSTMENT SCREW
59	P0778059	ADJUSTMENT SCREW BRACKET
60	P0778060	COMPRESSION SPRING
61	P0778061	TENSION INDICATOR
62	P0778062	THREADED PLATE
63	P0778063	LOCK KNOB M8-1.25 X 45
64	P0778064	KNOB M8-1.25
65	P0778065	FLAT WASHER 6MM
66	P0778066	PULL NUT M8-1.25
67	P0778067	BRACKET

REF	PART #	DESCRIPTION
68	P0778068	SQUARE SHAFT 12 X 12MM
69	P0778069	CAP SCREW M8-1.25 X 20
70	P0778070	LOCK WASHER 8MM
71	P0778071	FLAT WASHER 8MM
72	P0778072	SLEEVE
73	P0778073	UPPER WHEEL SHAFT BRACKET
74	P0778074	ROLL PIN 5 X 35
75	P0778075	UPPER WHEEL SHAFT
76	P0778076	WAVY WASHER 15 X 22MM
77	P0778077	UPPER WHEEL
78	P0778078	WHEEL TIRE
79	P0778079	HEX BOLT M8-1.25 X 16
80	P0778080	LOCK WASHER 8MM
81	P0778081	FLAT WASHER 8MM
82	P0778082	BALL BEARING 620ZZ
83	P0778083	INT RETAINING RING 35MM
86	P0778086	HEX NUT M18-1.5
87	P0778087	LOCK WASHER 18MM
88	P0778088	LOWER WHEEL SHAFT
89	P0778089	LEFT BLADE COVER
90	P0778090	HEX NUT M8-1.25
91	P0778091	SET SCREW M8-1.25 X 20
92	P0778092	SHAFT END CAP
93	P0778093	FLANGE SCREW M5-.8 X 8
94	P0778094	DUST PORT
95	P0778095	FLANGE SCREW M6-1 X 10
96	P0778096	MOTOR 1-3/4 HP 220/110V 1-PH
96-1	P0778096-1	MOTOR FAN COVER
96-2	P0778096-2	MOTOR FAN
96-3	P0778096-3	S CAPACITOR COVER
96-4	P0778096-4	S CAPACITOR 300M 250V 1-1/2 X 2-3/8
96-5	P0778096-5	MOTOR JUNCTION BOX
96-6	P0778096-6	CENTRIFUGAL SWITCH
96-7	P0778096-7	CONTACT PLATE
96-8	P0778096-8	FRONT MOTOR BEARING 6205ZZ
96-9	P0778096-9	REAR MOTOR BEARING 6203ZZ
96-10	P0778096-10	R CAPACITOR COVER
96-11	P0778096-11	R CAPACITOR 50M 250V 1-1/2 X 2-3/8
97	P0778097	KEY 5 X 5 X 20
100	P0778100	CAP SCREW M6-1 X 20
101	P0778101	WHEEL COVER LATCH KNOB 6MM
102	P0778102	LOCK NUT M6-1
103	P0778103	ALIGNMENT PIN
104	P0778104	FLANGE SCREW M5-.8 X 6
105	P0778105	RIGHT BLADE COVER
111	P0778111	POINTER
112	P0778112	HEX BOLT M6-1 X 12
113	P0778113	FLAT WASHER 8MM
114	P0778114	LOCK WASHER 8MM
115	P0778115	CAP SCREW M8-1.25 X 20
116	P0778116	WHEEL BRUSH
117	P0778117	FLANGE SCREW M5-.8 X 8
118	P0778118	HEX BOLT M8-1.25 X 35



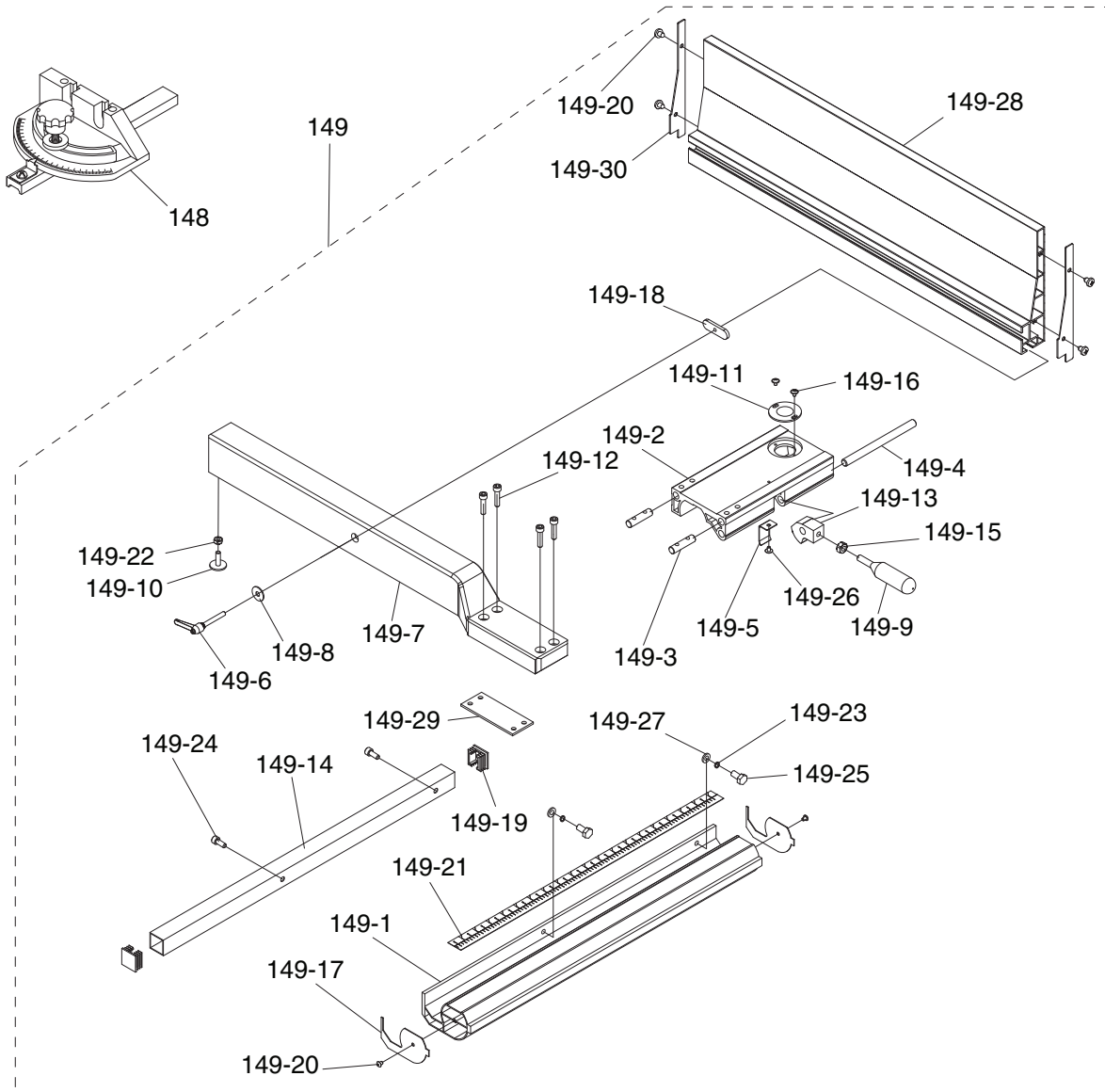
Main Parts List (Continued)

REF	PART #	DESCRIPTION
119	P0778119	LOCK WASHER 8MM
120	P0778120	TRUNNION BRACKET CAST IRON
121	P0778121	HEX BOLT M8-1.25 X 80
122	P0778122	HEX NUT M8-1.25
123	P0778123	POINTER
124	P0778124	PHLP HD SCR M5-.8 X 6
125	P0778125	LOCK KNOB M10-1.5
126	P0778126	TABLE INSERT
127	P0778127	TABLE PIN
128	P0778128	TABLE
129	P0778129	HEX BOLT M10-1.5 X 50
130	P0778130	TRUNNION CLAMP SHOE 1PC
131	P0778131	TRUNNION CAST IRON
132	P0778132	SCALE
133	P0778133	FLANGE BOLT M6-1 X 12
134	P0778134	BLADE 106 X 3/8 X 0.35" 6TPI
135	P0778135	FLANGE SCREW M5-.8 X 8
136	P0778136	PHLP HD SCR M4-.7 X 10
137	P0778137	PHLP HD SCR M5-.8 X 12
138	P0778138	EXT TOOTH WASHER 5MM
139	P0778139	HEX NUT M5-.8

REF	PART #	DESCRIPTION
140	P0778140	POWER CORD 14G 3W 84" 5-15P
141	P0778141	MOTOR CORD 14G 3C
142	P0778142	FLANGE SCREW M5-.8 X 8
143	P0778143	STRAIN RELIEF
144	P0778144	SWITCH BOX REAR PLATE
145	P0778145	SWITCH BOX FRONT PLATE
146	P0778146	ON/OFF SWITCH 110/220V
150	P0778150	POINTER BRACKET
151	P0778151	FLANGE SCREW M5-.8 X 12
157	P0778157	LEVER PLATE
158	P0778158	HEX BOLT M8-1.25 X 20
159	P0778159	LOCK WASHER 8MM
160	P0778160	FLAT WASHER 8MM
161	P0778161	SHIM PLASTIC
162	P0778162	SET SCREW M6-1 X 6
164	P0778164	SET SCREW M8-1.25 X 10
201	P0778201	WHEEL LOWER ASSEMBLY
202	P0778202	RIBBED BELT 200J5
203	P0778203	MOTOR PULLEY
204	P0778204	SET SCREW M6-1 X 10



Fence Parts Breakdown

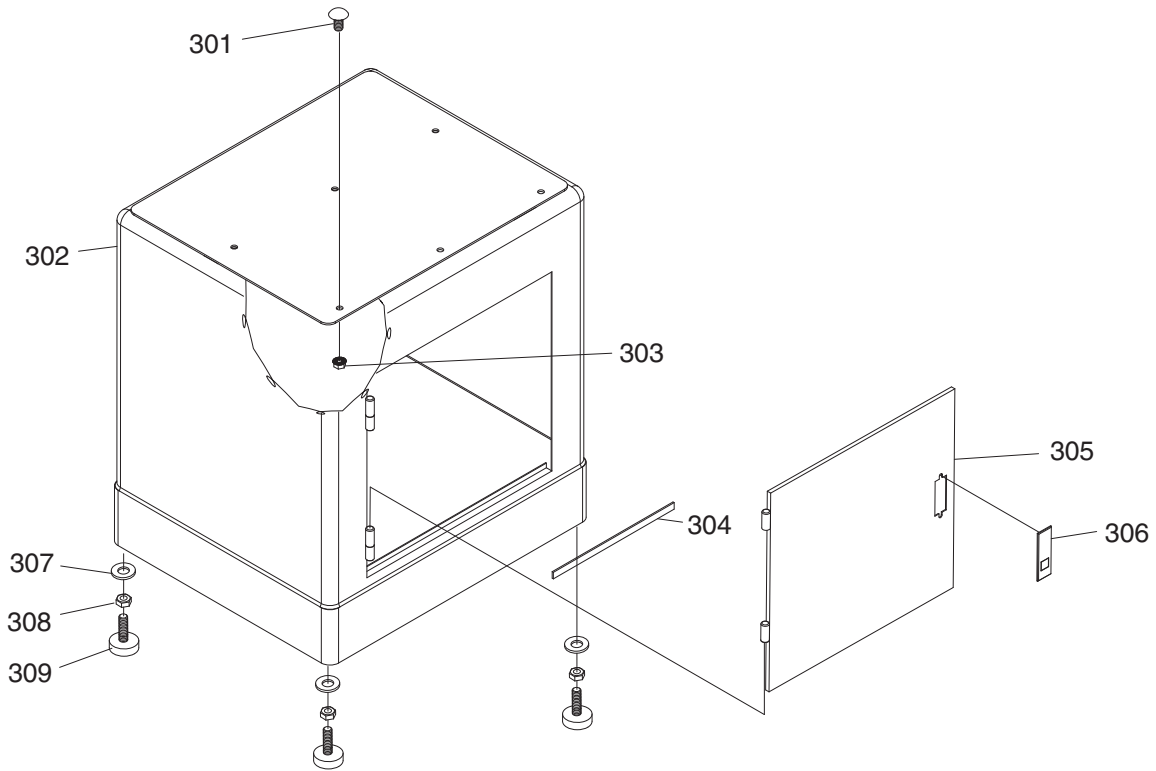


REF	PART #	DESCRIPTION
148	P0778148	MITER GAUGE ASSEMBLY
149	P0778149	RESAW FENCE ASSEMBLY
149-1	P0778149-1	FRONT FENCE RAIL 540MM
149-2	P0778149-2	FENCE BASE
149-3	P0778149-3	FENCE SUPPORT MOUNTING ROD
149-4	P0778149-4	LOCK ROD
149-5	P0778149-5	SPRING PIECE
149-6	P0778149-6	LOCK HANDLE ASSEMBLY M8-1.25 X 44
149-7	P0778149-7	FENCE SUPPORT 505MM
149-8	P0778149-8	FLAT WASHER 8MM
149-9	P0778149-9	LOCK HANDLE
149-10	P0778149-10	FENCE REAR STANDOFF
149-11	P0778149-11	SCALE WINDOW
149-12	P0778149-12	CAP SCREW M6-1 X 25
149-13	P0778149-13	LOCK CAM
149-14	P0778149-14	REAR FENCE RAIL

REF	PART #	DESCRIPTION
149-15	P0778149-15	HEX NUT M8-1.25
149-16	P0778149-16	FLANGE SCREW M4-.7 X 6
149-17	P0778149-17	FRONT RAIL END CAP
149-18	P0778149-18	FENCE MOUNTING PLATE
149-19	P0778149-19	REAR RAIL END CAP
149-20	P0778149-20	TAP SCREW M3.5 X 8
149-21	P0778149-21	SCALE
149-22	P0778149-22	HEX NUT M6-1
149-23	P0778149-23	LOCK WASHER 6MM
149-24	P0778149-24	CAP SCREW M6-1 X 16
149-25	P0778149-25	HEX BOLT M6-1 X 20
149-26	P0778149-26	FLANGE SCREW M4-.7 X 8
149-27	P0778149-27	FLAT WASHER 6MM
149-28	P0778149-28	FENCE 505MM ALUMINUM
149-29	P0778149-29	FENCE SUPPORT MOUNTING PLATE
149-30	P0778149-30	FENCE END CAP



Stand Parts Breakdown

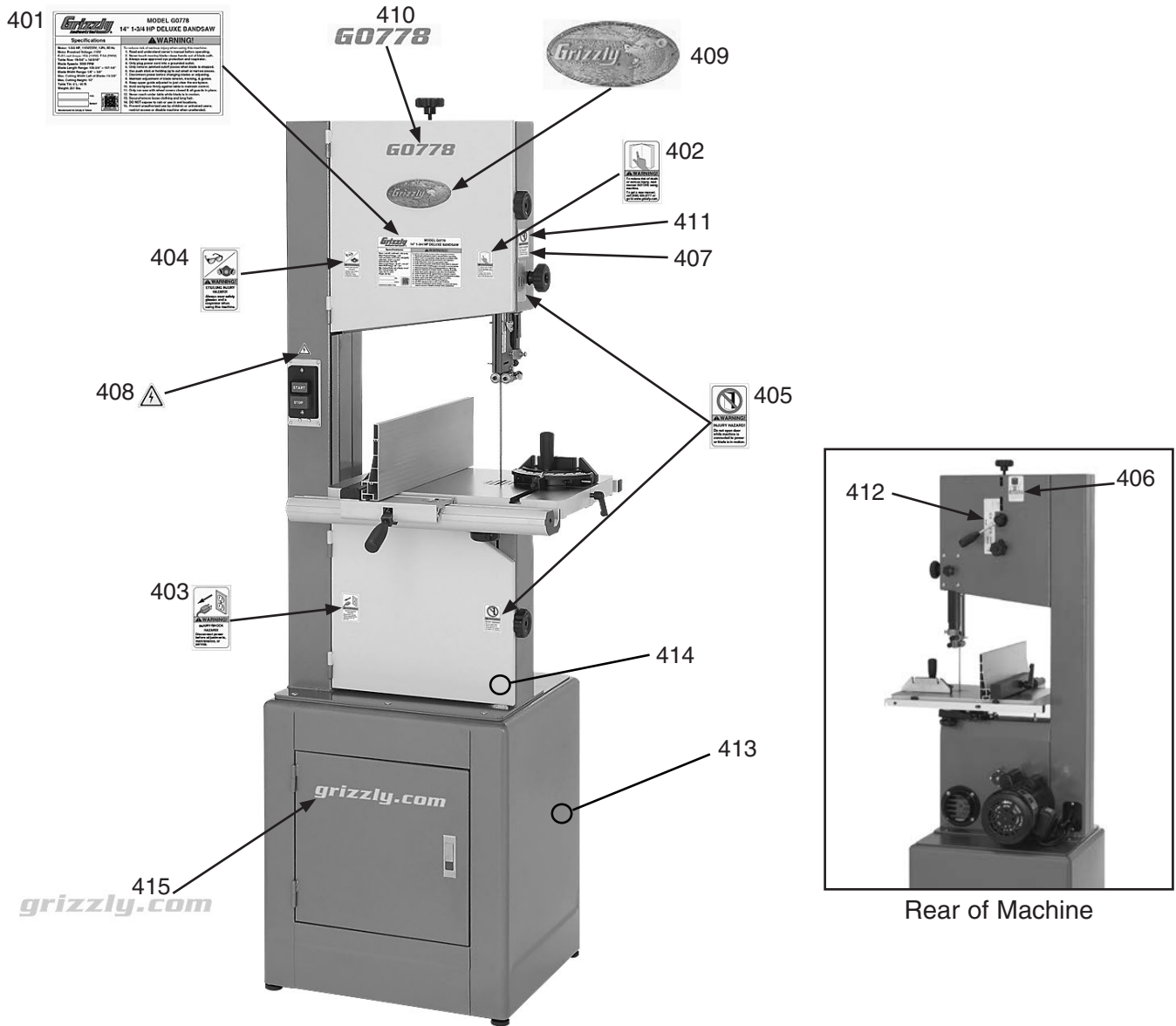


REF	PART #	DESCRIPTION
301	P0778301	CARRIAGE BOLT M8-1.25 X 20
302	P0778302	STAND
303	P0778303	FLANGE NUT M8-1.25
304	P0778304	FOAM TAPE
305	P0778305	DOOR

REF	PART #	DESCRIPTION
306	P0778306	LATCH ASSEMBLY
307	P0778307	FLAT WASHER 3/8
308	P0778308	HEX NUT 3/8-16
309	P0778309	FOOT 3/8-16 X 1-3/4



Labels & Cosmetics



REF	PART #	DESCRIPTION
401	P0778401	MACHINE ID LABEL
402	P0778402	READ MANUAL LABEL
403	P0778403	UNPLUG BANDSAW LABEL
404	P0778404	GLASSES/RESPIRATOR LABEL
405	P0778405	DO NOT OPEN LABEL
406	P0778406	BLADE TENSION NOTICE LABEL
407	P0778407	HANDS NEAR BLADE LABEL
408	P0778408	ELECTRICITY LABEL

REF	PART #	DESCRIPTION
409	P0778409	GRIZZLY NAMEPLATE
410	P0778410	MODEL NUMBER LABEL
411	P0778411	BLADE GUARD ADJ LABEL
412	P0778412	BLADE TENSION SCALE/LABEL
413	P0778413	GRIZZLY GREEN TOUCH-UP PAINT
414	P0778414	GRIZZLY PUTTY TOUCH-UP PAINT
415	P0778415	GRIZZLY.COM LABEL

⚠ WARNING

Safety labels help reduce the risk of serious injury caused by machine hazards. If any label comes off or becomes unreadable, the owner of this machine **MUST** replace it in the original location before resuming operations. For replacements, contact (800) 523-4777 or www.grizzly.com.

