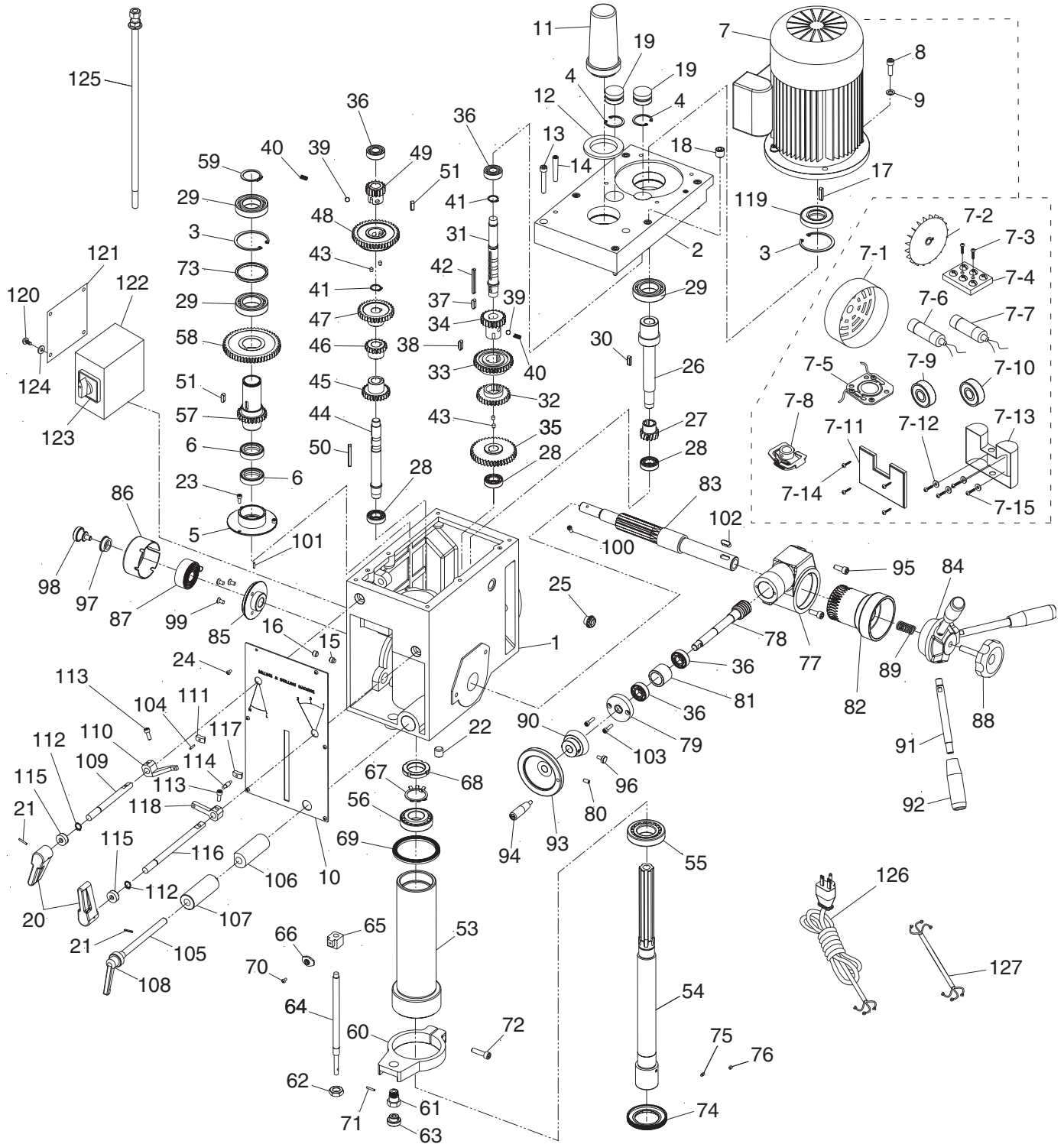


SECTION 9: PARTS

We do our best to stock replacement parts when possible, but we cannot guarantee that all parts shown are available for purchase. Call (800) 523-4777 or visit www.grizzly.com/parts to check for availability.

Headstock



Headstock Parts List

REF	PART #	DESCRIPTION
1	P0779001	HEADSTOCK CASTING
2	P0779002	HEADSTOCK COVER
3	P0779003	INT RETAINING RING 62MM
4	P0779004	INT RETAINING RING 35MM
5	P0779005	FLANGED END CAP
6	P0779006	OIL SEAL 45 X 35 X 10MM
7	P0779007	MOTOR 2HP 220V 1-PH
7-1	P0779007-1	MOTOR FAN COVER
7-2	P0779007-2	MOTOR FAN
7-3	P0779007-3	PHLP HD SCR M4-.7 X 16
7-4	P0779007-4	MOTOR TERMINAL BLOCK
7-5	P0779007-5	CONTACT PLATE
7-6	P0779007-6	S CAPACITOR 150M 250V 1-5/8 X 3
7-7	P0779007-7	R CAPACITOR 20M 450V 1-5/8 X 3-1/4
7-8	P0779007-8	CENTRIFUGAL SWITCH
7-9	P0779007-9	BALL BEARING 6205ZZ (FRONT)
7-10	P0779007-10	BALL BEARING 6205ZZ (REAR)
7-11	P0779007-11	CAPACITOR BOX COVER
7-12	P0779007-12	FLAT WASHER 4MM
7-13	P0779007-13	CAPACITOR BOX
7-14	P0779007-14	TAP SCREW M3-.5 X 10
7-15	P0779007-15	PHLP HD SCR M4-.7 X 10
8	P0779008	CAP SCREW M8-1.25 X 25
9	P0779009	FLAT WASHER 8MM
10	P0779010	HEADSTOCK FACE PLATE
11	P0779011	DRAWBAR CAP
12	P0779012	DRAWBAR CAP RUBBER SEAL
13	P0779013	CAP SCREW M8-1.25 X 45
14	P0779014	TAPER PIN 8 X 40
15	P0779015	SET SCREW M10-1.5 X 10 DOG-PT
16	P0779016	SET SCREW M10-1.5 X 8
17	P0779017	KEY 6 X 6 X 28
18	P0779018	OIL FILL PLUG 3/8"
19	P0779019	HEADSTOCK COVER PLUG
20	P0779020	SPINDLE SPEED LEVER
21	P0779021	ROLL PIN 3 X 18
22	P0779022	OIL DRAIN PLUG 3/8"
23	P0779023	CAP SCREW M5-.8 X 10
24	P0779024	BUTTON HD CAP SCR M4-.7 X 8
25	P0779025	OIL SIGHT GLASS M18-1.5
26	P0779026	DRIVE SHAFT
27	P0779027	GEAR 14T
28	P0779028	BALL BEARING 6003ZZ
29	P0779029	BALL BEARING 6007ZZ
30	P0779030	KEY 5 X 5 X 25
31	P0779031	IDLER SHAFT
32	P0779032	GEAR 29T
33	P0779033	GEAR 35T
34	P0779034	GEAR 21T

REF	PART #	DESCRIPTION
35	P0779035	GEAR 41T
36	P0779036	BALL BEARING 6202ZZ
37	P0779037	KEY 6 X 6 X 14
38	P0779038	KEY 6 X 6 X 28
39	P0779039	STEEL BALL 8MM
40	P0779040	COMPRESSION SPRING
41	P0779041	EXT RETAINING RING 18MM
42	P0779042	KEY 5 X 5 X 50
43	P0779043	SET SCREW M6-1 X 12
44	P0779044	SPINDLE SHAFT
45	P0779045	GEAR 25T
46	P0779046	GEAR 18T
47	P0779047	GEAR 32T
48	P0779048	GEAR 43T
49	P0779049	GEAR 16T
50	P0779050	KEY 5 X 5 X 50
51	P0779051	KEY 6 X 6 X 18
53	P0779053	QUILL
54	P0779054	SPINDLE
55	P0779055	TAPERED ROLLER BEARING 30207 P5
56	P0779056	TAPERED ROLLER BEARING 30206 P5
57	P0779057	SPLINED SLEEVE
58	P0779058	GEAR 53T
59	P0779059	EXT RETAINING RING 35MM
60	P0779060	DEPTH ROD MOUNT
61	P0779061	CYLINDRICAL BOLT M16-2 X 10
62	P0779062	HEX NUT M16-2 THIN
63	P0779063	DEPTH ROD KNURLED KNOB
64	P0779064	DEPTH ROD
65	P0779065	DEPTH ROD STOP BLOCK
66	P0779066	DEPTH POINTER
67	P0779067	LOCK WASHER 30MM
68	P0779068	SPANNER NUT M30-1.5
69	P0779069	QUILL SEAL (RUBBER)
70	P0779070	BUTTON HD CAP SCR M4-.7 X 8
71	P0779071	ROLL PIN 3 X 18
72	P0779072	CAP SCREW M8-1.25 X 30
73	P0779073	SPACER
74	P0779074	SPINDLE END CAP
75	P0779075	SET SCREW M5-.8 X 6
76	P0779076	SET SCREW M5-.8 X 4
77	P0779077	WORM GEAR HOUSING
78	P0779078	WORM SHAFT
79	P0779079	WORM SHAFT END BRACKET
80	P0779080	SET SCREW M6-1 X 12
81	P0779081	SPACER
82	P0779082	WORM GEAR
83	P0779083	PINION SHAFT
84	P0779084	LEVER HUB



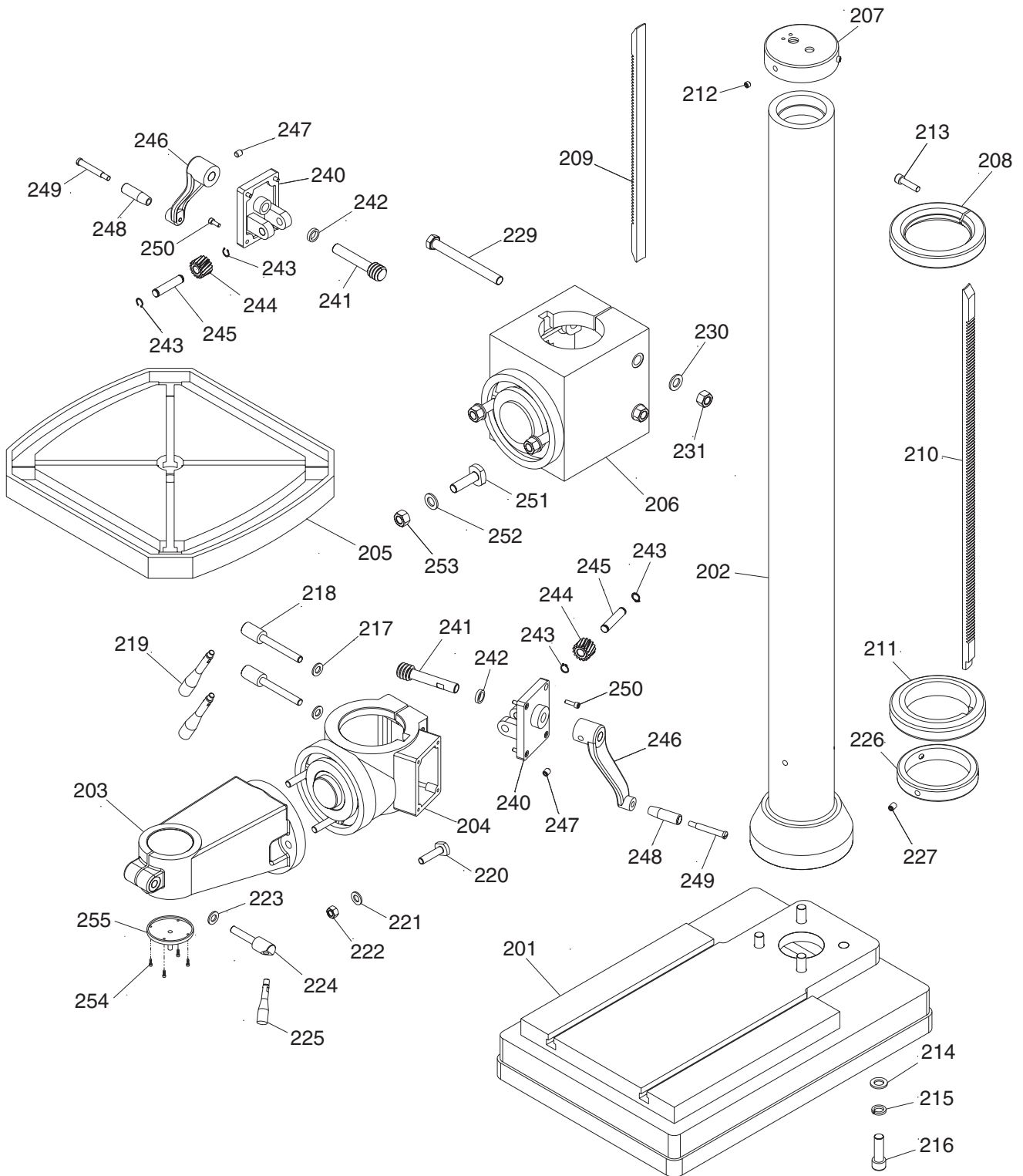
Headstock Parts List (Cont.)

REF	PART #	DESCRIPTION
85	P0779085	SPRING BASE
86	P0779086	SPRING COVER
87	P0779087	FLAT COILED SPRING
88	P0779088	KNOB BOLT M10-1.5 X 45
89	P0779089	COMPRESSION SPRING
90	P0779090	FINE DOWNFEED GRADUATED DIAL
91	P0779091	STUD-UDE M12-1.75 X 145, 15, 20
92	P0779092	TAPERED HANDLE M12-1.75, 98L
93	P0779093	HANDWHEEL 100MM DIA.
94	P0779094	HANDWHEEL HANDLE M6-1 X 10, 65L
95	P0779095	CAP SCREW M8-1.25 X 25
96	P0779096	KNURLED THUMB SCREW M5-.8 X 12
97	P0779097	KNOB BUSHING
98	P0779098	KNURLED THUMB SCREW M8-1.25 X 12
99	P0779099	FLAT HD CAP SCR M6-1 X 12
100	P0779100	PHLP HD SCR M5-.8 X 12
101	P0779101	DOWEL PIN 3 X 12
102	P0779102	KEY 8 X 8 X 20
103	P0779103	CAP SCREW M5-.8 X 20
104	P0779104	ROLL PIN 3 X 15
105	P0779105	LOCK LEVER SHAFT
106	P0779106	INSIDE LOCK PLUNGER

REF	PART #	DESCRIPTION
107	P0779107	OUTSIDE LOCK PLUNGER
108	P0779108	ADJUSTABLE HANDLE
109	P0779109	SPEED RANGE SHIFT SHAFT
110	P0779110	SPEED RANGE SHIFT LEVER
111	P0779111	SPEED RANGE SHIFT FORK
112	P0779112	EXT RETAINING RING 12MM
113	P0779113	CAP SCREW M6-1 X 14
114	P0779114	SHIFT ROD
115	P0779115	OIL SEAL 12 X 22 X 8
116	P0779116	SPEED SHIFT SHAFT
117	P0779117	SPEED SHIFT FORK
118	P0779118	SPEED SHIFT LEVER
119	P0779119	OIL SEAL 35 X 62 X 10
120	P0779120	PHLP HD SCR M4-.7 X 6
121	P0779121	SWITCH BOX COVER
122	P0779122	SWITCH BOX
123	P0779123	ROTARY SWITCH (LEFT, STOP, RIGHT)
124	P0779124	FLAT WASHER 4MM
125	P0779125	DRAWBAR 7/16-20
126	P0779126	POWER CORD 14G 3W 80" 6-15
127	P0779127	MOTOR CORD 14G 3W 12"



Column



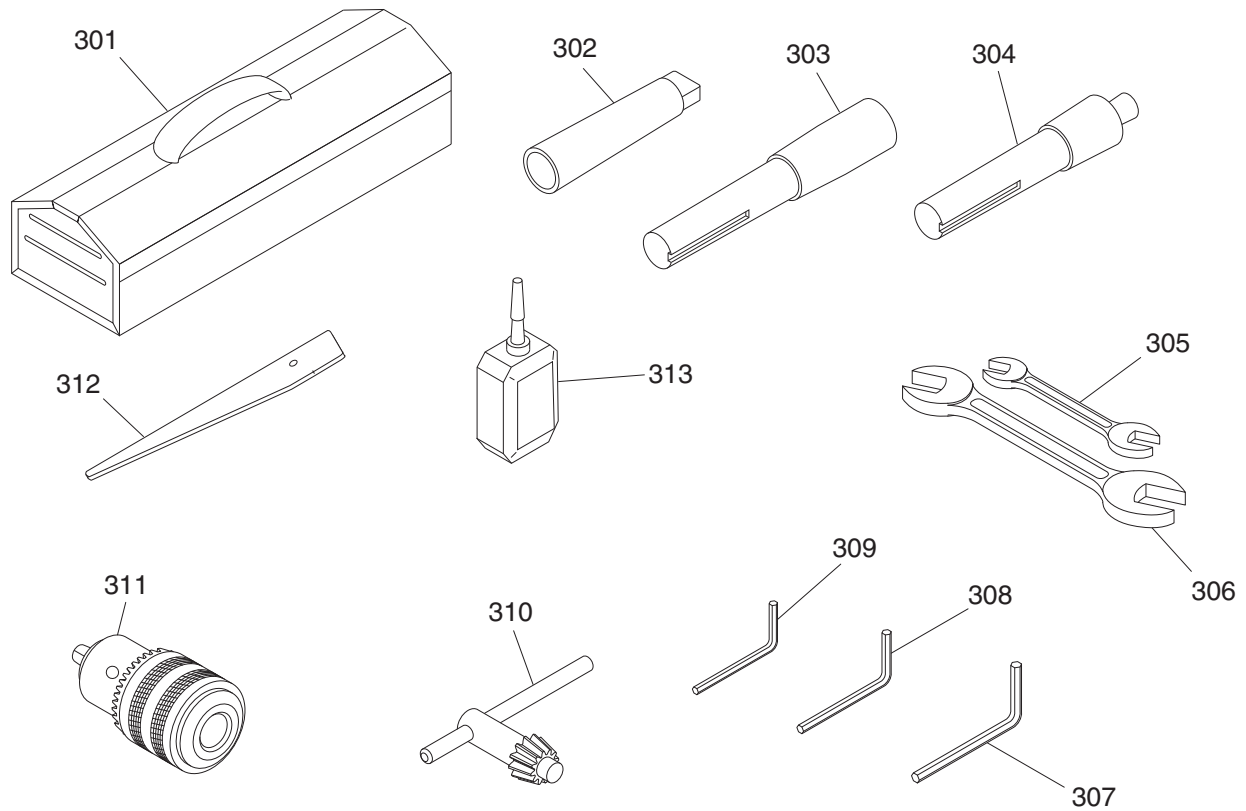
Column Parts List

REF	PART #	DESCRIPTION
201	P0779201	BASE
202	P0779202	COLUMN
203	P0779203	TABLE ARM BRACKET
204	P0779204	TABLE BRACKET
205	P0779205	TABLE
206	P0779206	HEAD ELEVATION GEAR HOUSING
207	P0779207	COLUMN CAP
208	P0779208	RACK GUIDE RING
209	P0779209	RACK (HEAD ELEVATION)
210	P0779210	RACK (TABLE ELEVATION)
211	P0779211	RACK RING
212	P0779212	SET SCREW M10-1.5 X 10
213	P0779213	CAP SCREW M10-1.5 X 40
214	P0779214	FLAT WASHER 16MM
215	P0779215	LOCK WASHER 16MM
216	P0779216	HEX BOLT M16-2 X 50
217	P0779217	FLAT WASHER 12MM
218	P0779218	TABLE LOCK HUB M12-1.75 X 95
219	P0779219	TABLE LOCK HANDLE M10-1.5 X 12, 115L
220	P0779220	T-BOLT M12-1.75 X 45
221	P0779221	FLAT WASHER 12MM
222	P0779222	HEX NUT M12-1.75
223	P0779223	FLAT WASHER 12MM

REF	PART #	DESCRIPTION
224	P0779224	PIVOT LOCK HUB M12-1.75 X 60
225	P0779225	LEVER HANDLE M10-1.5 X 8, 75L
226	P0779226	RACK RING BASE
227	P0779227	SET SCREW M10-1.5 X 16
229	P0779229	HEX BOLT M16-2 X 190
230	P0779230	FLAT WASHER 16MM
231	P0779231	HEX NUT M16-2
240	P0779240	ELEVATION CRANK BRACKET
241	P0779241	WORM GEAR
242	P0779242	SPACER
243	P0779243	EXT RETAINING RING 14MM
244	P0779244	HELICAL GEAR 15T
245	P0779245	SHAFT
246	P0779246	ELEVATION CRANK
247	P0779247	SET SCREW M10-1.5 X 12
248	P0779248	CRANK HANDLE 75MM
249	P0779249	SHOULDER SCREW M10-1.5 X 10, 12 X 68
250	P0779250	CAP SCREW M6-1 X 20
251	P0779251	T-BOLT M14-2 X 55
252	P0779252	FLAT WASHER 14MM
253	P0779253	HEX NUT M14-2
254	P0779254	CAP SCREW M6-1 X 12
255	P0779255	COOLANT DRAIN



Accessories

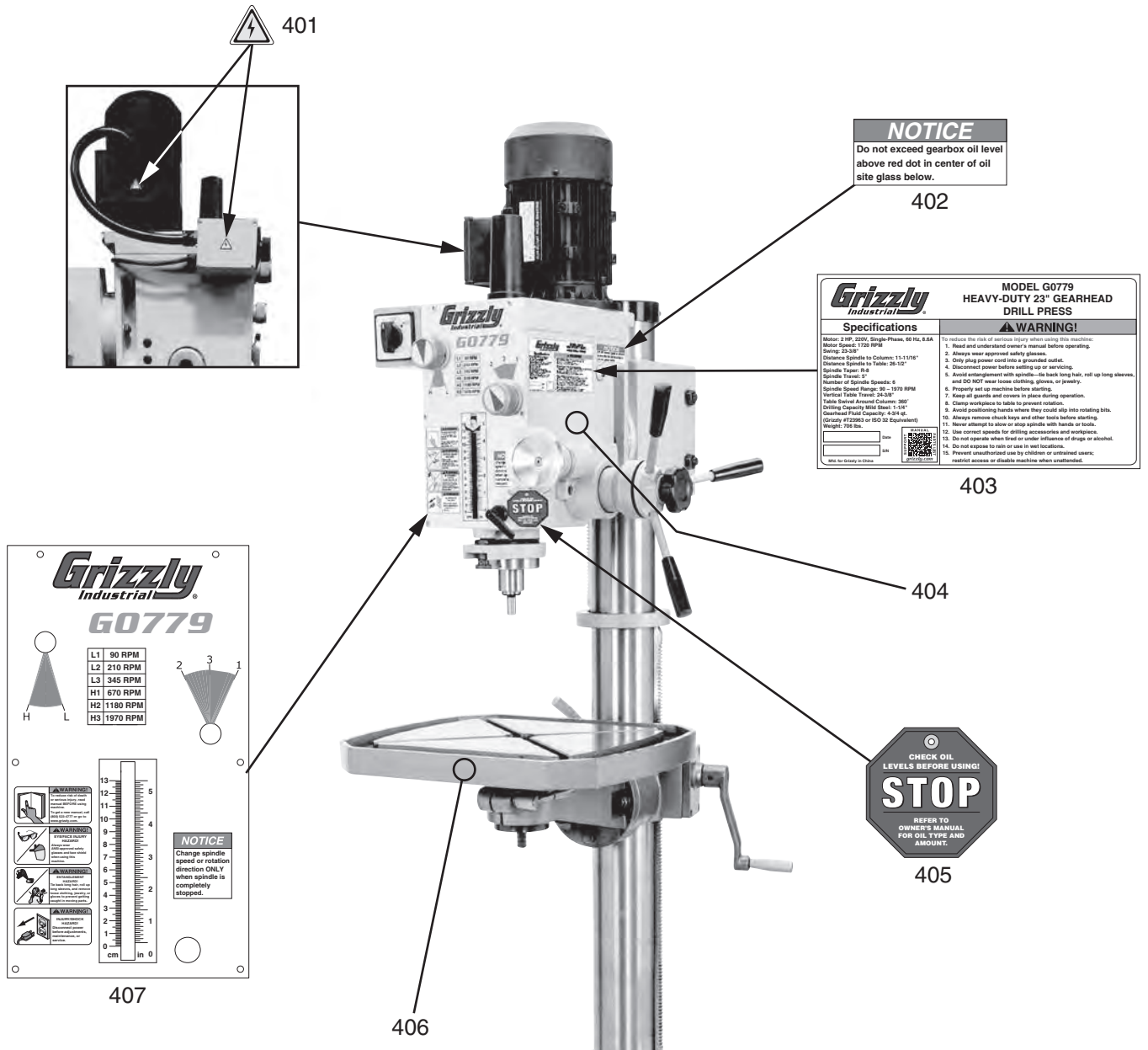


REF	PART #	DESCRIPTION
301	P0779301	TOOLBOX
302	P0779302	SPINDLE ADAPTER MT3-MT2
303	P0779303	SPINDLE SLEEVE R8-MT3
304	P0779304	DRILL CHUCK ARBOR R8-B16
305	P0779305	WRENCH 17 X 19MM OPEN-ENDS
306	P0779306	WRENCH 22 X 24MM OPEN-ENDS
307	P0779307	HEX WRENCH 5MM

REF	PART #	DESCRIPTION
308	P0779308	HEX WRENCH 4MM
309	P0779309	HEX WRENCH 3MM
310	P0779310	DRILL CHUCK KEY 5/16" STD 11T SD-5/8"
311	P0779311	DRILL CHUCK 1-13MM B16
312	P0779312	DRIFT KEY
313	P0779313	BOTTLE FOR OIL



Labels



REF	PART #	DESCRIPTION
401	P0779401	ELECTRICITY LABEL
402	P0779402	GEARBOX OIL LEVEL NOTICE
403	P0779403	MACHINE ID LABEL
404	P0779404	GRIZZLY BEIGE TOUCH-UP PAINT

REF	PART #	DESCRIPTION
405	P0779405	CHECK OIL LABEL
406	P0779406	GRIZZLY GREEN TOUCH-UP PAINT
407	P0779407	CONTROLS/WARNING LABEL

⚠ WARNING

Safety labels help reduce the risk of serious injury caused by machine hazards. If any label comes off or becomes unreadable, the owner of this machine **MUST** replace it in the original location before resuming operations. For replacements, contact (800) 523-4777 or www.grizzly.com.

