

Headstock

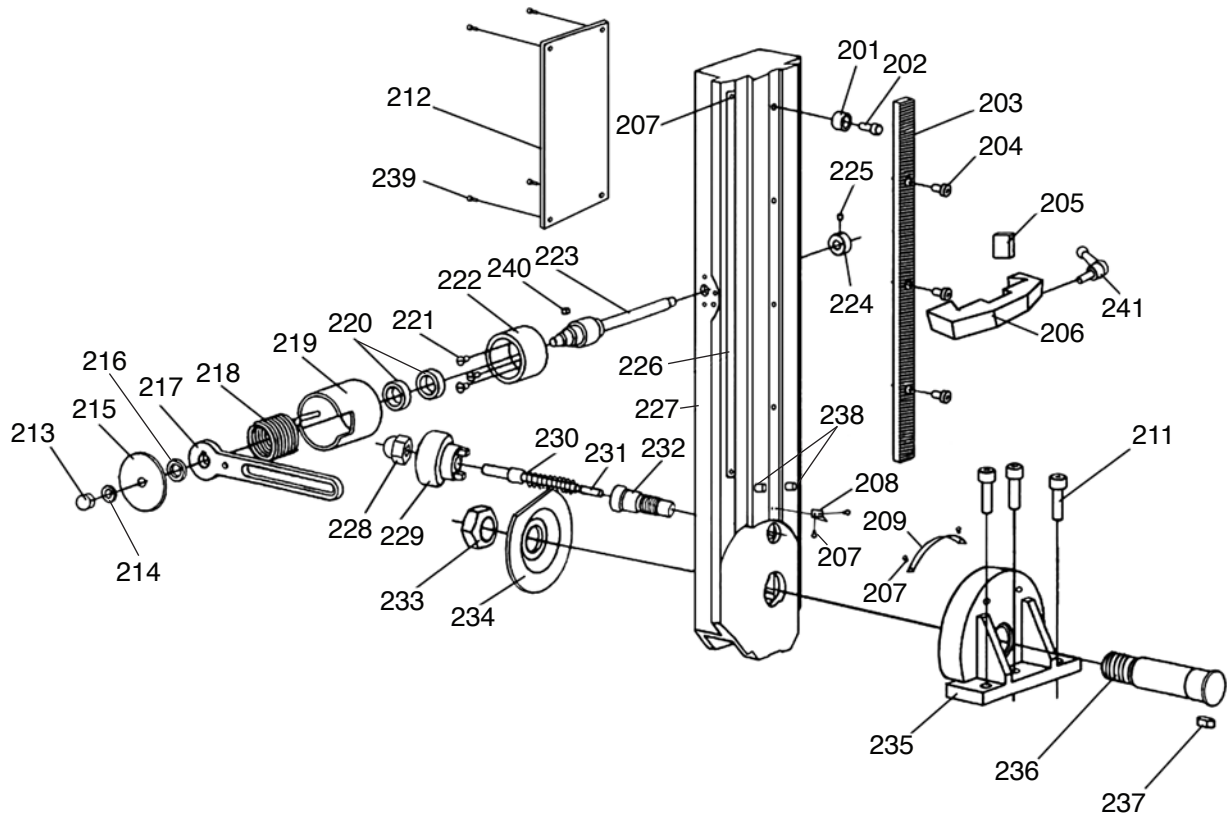
REF	PART #	DESCRIPTION
1	P0781001	MOTOR COVER
2	P0781002	DRO COVER
3	P0781003	DRO JD01
5	P0781005	MOTOR 600W 110V DC
5-1	P0781005-1	MOTOR BRUSH CAP
5-2	P0781005-2	MOTOR CARBON BRUSH 2-PC SET
6	P0781006	KEY 3 X 3 X 16
7	P0781007	DRAWBAR CAP
9	P0781009	GASKET 15MM
10	P0781010	PINION 18T
11	P0781011	FLAT WASHER 5MM
12	P0781012	FLAT HD SCR M5-.8 X 12
13	P0781013	ELECTRICAL BOX COVER GASKET
14	P0781014	ELECTRICAL BOX
15	P0781015	GASKET 7.5MM
16	P0781016	FLAT WASHER 4MM
17	P0781017	GROUNDING PLATE
18	P0781018	PHLP HD SCR M4-.7 X 6
19	P0781019	ELECTRICAL BOX MOUNTING PLATE
21	P0781021	POWER CORD 16G 3W 72" 5-15P
22	P0781022	STRAIN RELIEF PG13 TYPE-9
23	P0781023	TAP SCREW M4-.7 X 12
24	P0781024	ELECTRICAL BOX COVER
26	P0781026	E-STOP KEDU KJD12 120V
27	P0781027	POWER LIGHT 110VAC GREEN 10MM
28	P0781028	HEX NUT M10-1.5 THIN
29	P0781029	TOGGLE SWITCH E-TEN1322, REVERSING
30	P0781030	POTENTIOMETER B4K7 4.7KOHM
31	P0781031	FLAT WASHER 11MM
32	P0781032	HEX NUT M12-1.75 THIN
33	P0781033	FLAT WASHER 12MM
36	P0781036	CAP SCREW M3-.5 X 6
101	P0781101	CAP SCREW M6-1 X 30
102	P0781102	CAP SCREW M6-1 X 45
103	P0781103	HEADSTOCK COVER
104	P0781104	CAP SCREW M5-.8 X 14
105	P0781105	GEAR 38T
106	P0781106	GASKET 10MM
107	P0781107	BALL BEARING 6001Z
108	P0781108	COMBO GEAR 20T/12T
109	P0781109	KEY 4 X 4 X 45
110	P0781110	MOTOR GEAR SHAFT
111	P0781111	EXT RETAINING RING 12MM
112	P0781112	KEY 4 X 4 X 8
113	P0781113	CAP SCREW M5-.8 X 10
114	P0781114	UPPER GEAR CASE RETAINER
116	P0781116	HEADSTOCK CASTING
117	P0781117	SPINDLE NUT M27-1.5
118	P0781118	SET SCREW M6-1 X 8 CONE-PT
119	P0781119	UPPER SPACER 28MM ID
120	P0781120	BALL BEARING 6206-2RS
121	P0781121	LOWER SPACER 28MM ID
122	P0781122	COMBO GEAR 21T/29T
123	P0781123	LOWER GEAR CASE RETAINER
125	P0781125	KEY 5 X 5 X 20
126	P0781126	KEY 5 X 5 X 40

REF	PART #	DESCRIPTION
127	P0781127	SPINDLE
127-1	P0781127-1	SPINDLE PIN
128	P0781128	FLAT WASHER 5MM
129	P0781129	FINE FEED HANDWHEEL 52MM, 8MM BORE
130	P0781130	SET SCREW M4-.7 X 12
131	P0781131	FLAT SPRING
132	P0781132	FINE DOWNFEED GRADUATED DIAL
133	P0781133	CAP SCREW M5-.8 X 25
134	P0781134	FINE DOWNFEED SHAFT BRACKET
135	P0781135	FINE DOWNFEED SHAFT COVER
137	P0781137	WORM SHAFT MOUNTING PLATE
138	P0781138	CAP SCREW M4-.7 X 8
141	P0781141	WORM SHAFT
142	P0781142	SHIFTER FORK
143	P0781143	SET SCREW M5-.8 X 8 CONE-PT
144	P0781144	GEAR SHIFT LINKAGE
146	P0781146	LEVER HUB
148	P0781148	LEVER M8-1.25 X 10, 72L
149	P0781149	STEEL BALL 5MM
150	P0781150	COMPRESSION SPRING 4 X 9MM
151	P0781151	SET SCREW M6-1 X 6 CONE-PT
153	P0781153	SHOULDER STUD-UDE M8-1.25 X 115, 18, 6
154	P0781154	DOWNFEED HANDLE HUB
155	P0781155	BEVEL GEAR 31T
156	P0781156	KEY 4 X 4 X 20
157	P0781157	PINION SHAFT
158	P0781158	ROLL PIN 4 X 20
159	P0781159	GEAR HOUSING
160	P0781160	ADJUSTABLE HANDLE 45L, M6-1 X 25
161	P0781161	GASKET
162	P0781162	COLUMN GIB
163	P0781163	SET SCREW M6-1 X 25
164	P0781164	HEX NUT M6-1
165	P0781165	CAP SCREW M8-1.25 X 45
166	P0781166	HEADSTOCK MOUNT
167	P0781167	ROLL PIN 8 X 25
168	P0781168	SCALE INDICATOR
169	P0781169	STANDOFF-ROUND M8-1.25 X 10MM, M8-1.25
170	P0781170	SHOULDER T-BOLT M8-1.25 X 12, 10 X 10
171	P0781171	CAP SCREW M5-.8 X 20
172	P0781172	CIRCUIT BOARD JD-111
173	P0781173	DOWNFEED LEVER KNOB M8-1.25 BLACK
174	P0781174	RPM SENSOR
176	P0781176	RPM MOUNT PLATE
177	P0781177	PHLP HD SCR M4-.7 X 6
178	P0781178	HEX NUT M3-.5
179	P0781179	PHLP HD SCR M3-.5 X 16
180	P0781180	FLAT WASHER 3MM
181	P0781181	FUSE F8 250V FAST-ACTING, GLASS
182	P0781182	FUSE HOLDER 10A 250V AC
183	P0781183	FLAT WASHER 14MM, NYLON
184	P0781184	FLAT WASHER 14MM
185	P0781185	HEX NUT M14-2
186	P0781186	FUSE CAP
187	P0781187	VARIABLE-SPEED KNOB

Please Note: We do our best to stock replacement parts whenever possible, but we cannot guarantee that all parts shown here are available for purchase. Call (800) 523-4777 or visit our online parts store at www.grizzly.com to check for availability.



Column

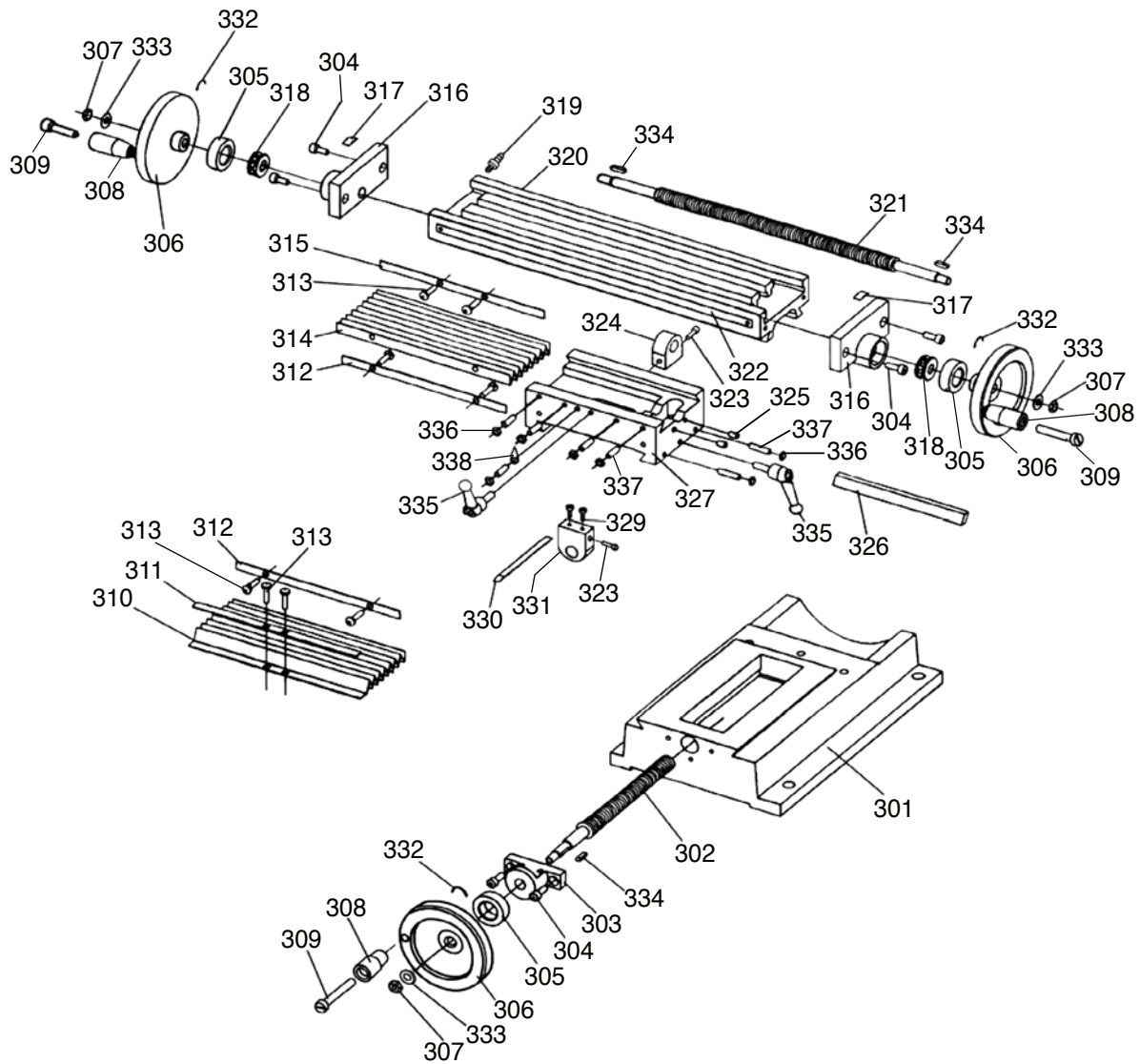


REF	PART #	DESCRIPTION
201	P0781201	FIXED COLUMN STOP
202	P0781202	CAP SCREW M6-1 X 20
203	P0781203	COLUMN RACK 9-1/2"
204	P0781204	CAP SCREW M6-1 X 14
205	P0781205	DEPTH STOP GIB
206	P0781206	COLUMN DEPTH STOP
207	P0781207	RIVET 2 X 5MM NAMEPLATE, ALUMINUM
208	P0781208	Z-AXIS INDICATOR
209	P0781209	HEADSTOCK ANGLE SCALE
211	P0781211	CAP SCREW M10-1.5 X 35
212	P0781212	COLUMN COVER
213	P0781213	ACORN NUT M8-1.25
214	P0781214	FLAT WASHER 8MM
215	P0781215	RETURN SPRING COVER CAP
216	P0781216	SPACER
217	P0781217	RETURN SPRING BAR
218	P0781218	TORSION SPRING
219	P0781219	RETURN SPRING COVER
220	P0781220	BUSHING
221	P0781221	FLAT HD SCR M5-.8 X 10

REF	PART #	DESCRIPTION
222	P0781222	SPRING SUPPORT
223	P0781223	RETURN SPRING SHAFT
224	P0781224	LOCK COLLAR
225	P0781225	SET SCREW M5-.8 X 6 CONE-PT
226	P0781226	COLUMN SCALE 9"
227	P0781227	COLUMN
228	P0781228	ACORN NUT M6-1
229	P0781229	COLUMN LOCK
230	P0781230	COMPRESSION SPRING
231	P0781231	LOCK PIN
232	P0781232	LOCK SLEEVE
233	P0781233	HEX NUT M24-3
234	P0781234	CUT WASHER 24 X 95MM
235	P0781235	PIVOT PLATE
236	P0781236	COLUMN PIVOT SHAFT M24-3 X 33, 105L
237	P0781237	KEY 8 X 8 X 12
238	P0781238	LIMIT BLOCK STOP PIN
239	P0781239	PHLP HD SCR M4-.7 X 6
240	P0781240	KEY 4 X 4 X 8
241	P0781241	ADJUSTABLE HANDLE 45L, M6-1 X 25



Table



REF	PART #	DESCRIPTION
301	P0781301	TABLE BASE
302	P0781302	X-AXIS LEADSCREW
303	P0781303	LEADSCREW BRACKET
304	P0781304	CAP SCREW M6-1 X 12
305	P0781305	GRADUATED DIAL FOR HANDWHEELS
306	P0781306	HANDWHEEL 90D X 8B X M8-1.25, DISHED
307	P0781307	HEX NUT M8-1.25
308	P0781308	HANDWHEEL HANDLE 9 X 40MM
309	P0781309	HANDLE SCREW M8-1.25 X 10, 9 X 36
310	P0781310	FRONT WAY COVER
311	P0781311	FRONT WAY BAR
312	P0781312	REAR WAY BAR
313	P0781313	PHLP HD SCR M6-1 X 8
314	P0781314	REAR WAY COVER
315	P0781315	REAR WAY COLUMN BAR
316	P0781316	Y-AXIS BEARING HOUSING
317	P0781317	DIAL INDICATOR
318	P0781318	THRUST BEARING 51200
319	P0781319	COOLANT HOSE CONNECTOR M10-1.5 X 10

REF	PART #	DESCRIPTION
320	P0781320	TABLE
321	P0781321	Y-AXIS LEADSCREW
322	P0781322	Y-AXIS SCALE
323	P0781323	CAP SCREW M5-.8 X 20
324	P0781324	Y-AXIS LEADSCREW NUT
325	P0781325	SET SCREW M6-1 X 10 CONE-PT
326	P0781326	Y-AXIS GIB
327	P0781327	SADDLE
329	P0781329	CAP SCREW M6-1 X 8
330	P0781330	X-AXIS GIB
331	P0781331	X-AXIS LEADSCREW NUT
332	P0781332	FLAT SPRING FOR HANDWHEEL
333	P0781333	FLAT WASHER 8MM
334	P0781334	KEY 3 X 3 X 16
335	P0781335	ADJUSTABLE HANDLE 45L, M6-1 X 25
336	P0781336	HEX NUT M6-1
337	P0781337	SET SCREW M6-1 X 25
338	P0781338	SCALE INDICATOR



Accessories

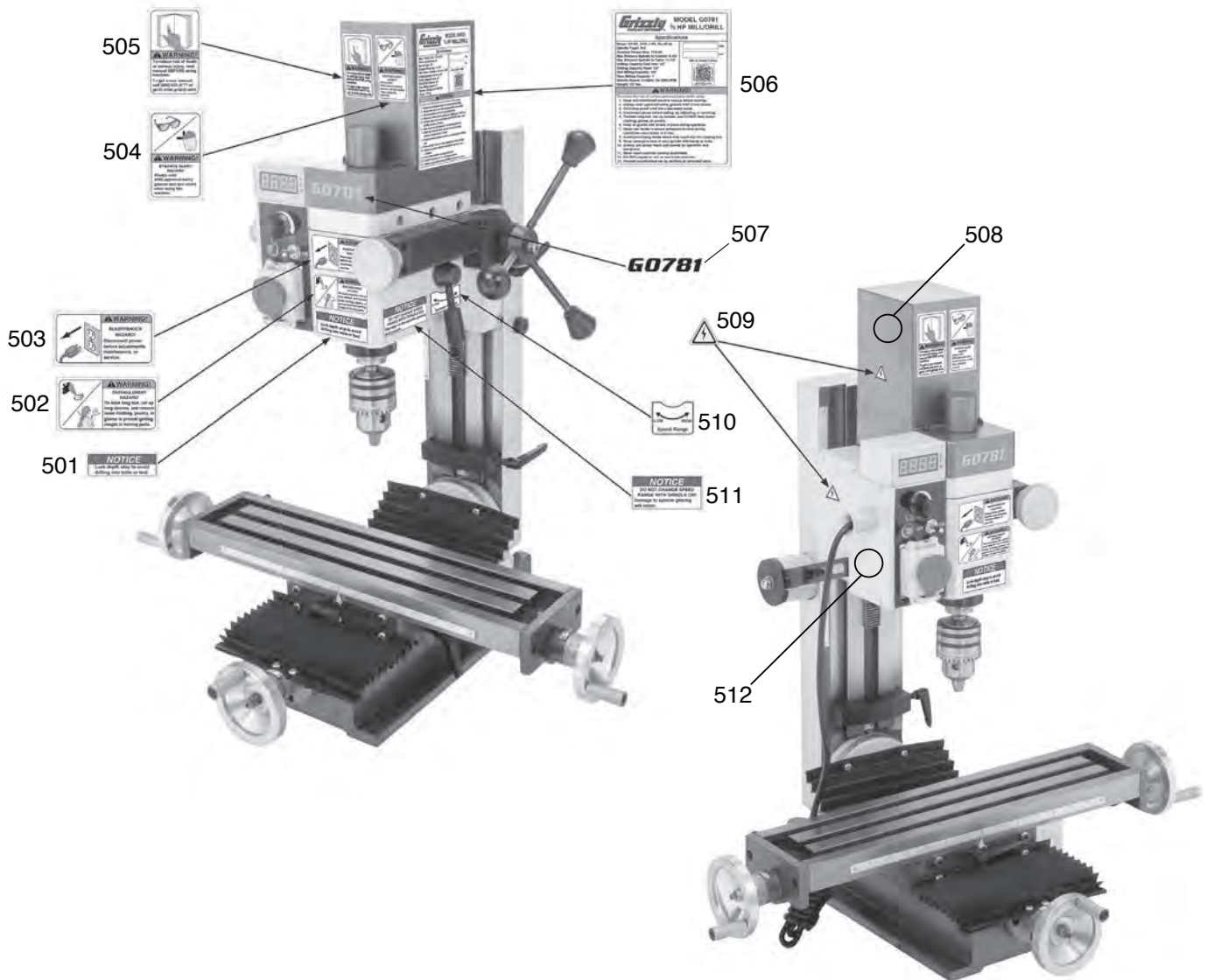


REF	PART #	DESCRIPTION
401	P0781401	DRILL CHUCK KEY 1/4" STD 11T SD-5/8"
402	P0781402	SPINDLE PIN 8 X 100MM
403	P0781403	DRAWBAR 7/16-20 X 5-1/2
404	P0781404	DRILL CHUCK ARBOR R8 X B16
405	P0781405	TOOLBOX
406	P0781406	WRENCH 36MM OPEN-END
407	P0781407	FUSE 8A 250V 0.25" FAST-ACTING GLASS
408	P0781408	SPANNER WRENCH 38-42MM
409	P0781409	WRENCH 13 X 16MM OPEN ENDS

REF	PART #	DESCRIPTION
410	P0781410	WRENCH 8 X 10MM OPEN ENDS
411	P0781411	BOTTLE FOR OIL
412	P0781412	HEX WRENCH SET 2, 2.5, 3, 4, 5, 6, 8MM
413	P0781413	HANDWHEEL HANDLE 36L M8-1.25 X 10 REV
414	P0781414	HEX NUT M8-1.25
415	P0781415	T-SLOT NUT 1/2" X M8-1.25
416	P0781416	STUD-UDE M8-1.25 X 45, 11, 25
417	P0781417	DRILL CHUCK B-16 1-13MM



Labels & Cosmetics



REF	PART #	DESCRIPTION
501	P0781501	DEPTH STOP NOTICE LABEL
502	P0781502	ENTANGLEMENT HAZARD LABEL
503	P0781503	DISCONNECT POWER LABEL
504	P0781504	FACE SHIELD & SAFETY GLASSES 1.5W X 2.5H
505	P0781505	READ MANUAL LABEL
506	P0781506	MACHINE ID LABEL

REF	PART #	DESCRIPTION
507	P0781507	MODEL NUMBER LABEL
508	P0781508	GRIZZLY GREEN TOUCH-UP PAINT
509	P0781509	ELECTRICITY LABEL
510	P0781510	SPEED RANGE LABEL
511	P0781511	SPEED RANGE NOTICE LABEL
512	P0781512	GRIZZLY PUTTY TOUCH-UP PAINT

WARNING

Safety labels help reduce the risk of serious injury caused by machine hazards. If any label comes off or becomes unreadable, the owner of this machine **MUST** replace it in the original location before resuming operations. For replacements, contact (800) 523-4777 or www.grizzly.com.

