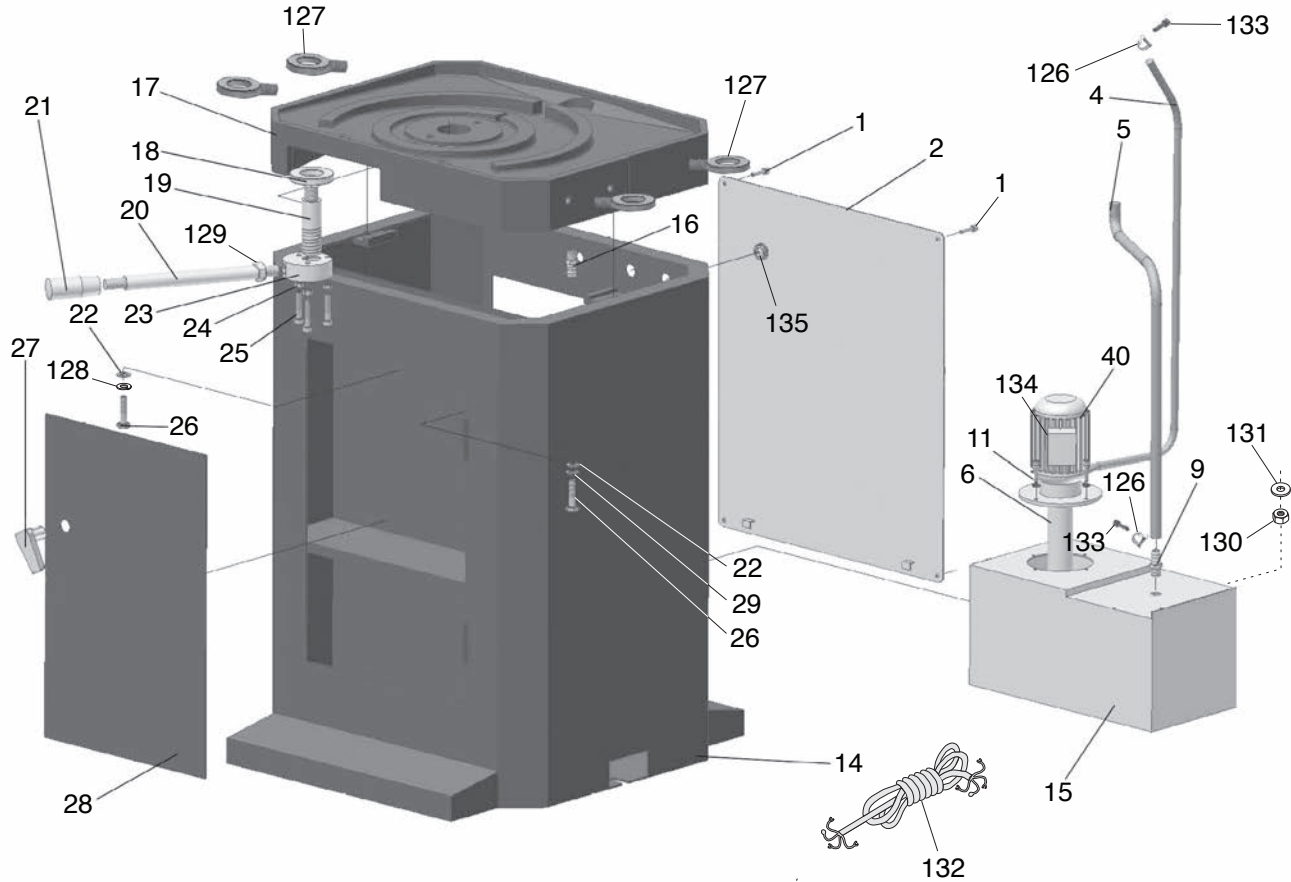


SECTION 9: PARTS

Base



REF PART # DESCRIPTION

1	P0783001	CAP SCREW M5-.8 X 8
2	P0783002	REAR COVER
4	P0783004	COOLANT HOSE OUTFLOW 1/2" X 60"
5	P0783005	COOLANT HOSE INFLOW 1-1/2" X 18"
6	P0783006	COOLANT PICKUP TUBE
9	P0783009	HOSE FITTING M24-2 X 12, L43 BRASS
11	P0783011	PHLP HD SCR M5-.8 X 6
14	P0783014	MACHINE STAND
15	P0783015	COOLANT TANK 2-GALLON
16	P0783016	STRAINER 60MM
17	P0783017	STAND TOP PLATE
18	P0783018	SPACER 34 ID X 64 OD
19	P0783019	STUD-UDE M26-2.5 X 100
20	P0783020	LOCK LEVER M16-2 X 20
21	P0783021	LOCK LEVER HANDLE 85L M16-2
22	P0783022	FLAT WASHER 10MM
23	P0783023	TENSION NUT M26-2.5

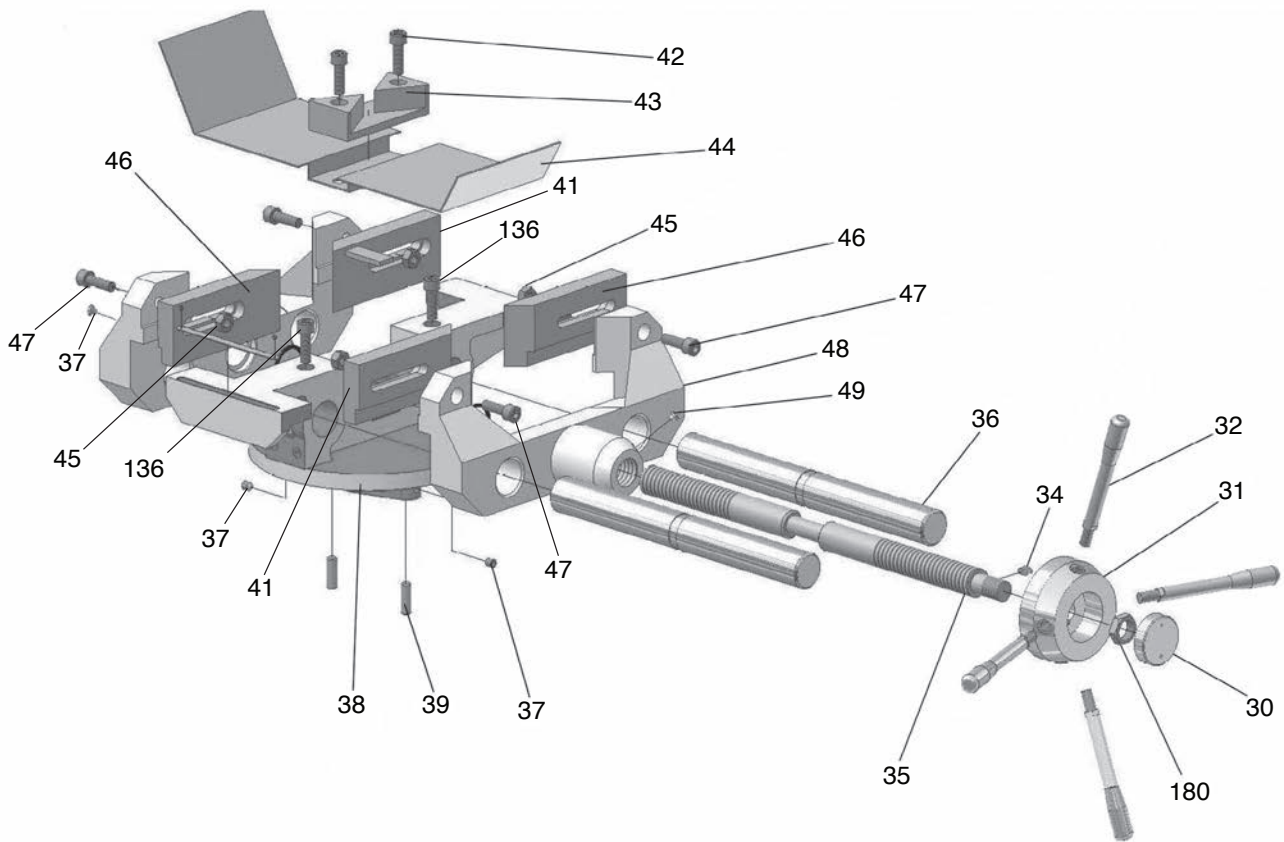
REF PART # DESCRIPTION

24	P0783024	HEX NUT M8-1.25
25	P0783025	CAP SCREW M8-1.25 X 40
26	P0783026	CAP SCREW M10-1.5 X 45
27	P0783027	DOOR LATCH
28	P0783028	FRONT ACCESS DOOR
29	P0783029	LOCK WASHER 10MM
40	P0783040	COOLANT MOTOR 40W, 220V, 1-PH
126	P0783126	COOLANT HOSE CLAMP 1/2"
127	P0783127	EYE BOLT 32MM, M12-1.75 X 22
128	P0783128	LOCK WASHER 10MM
129	P0783129	HEX NUT M16-2
130	P0783130	HEX NUT M24-2
131	P0783131	FLAT WASHER 24MM
132	P0783132	POWER CORD 20G 3W 72" NO PLUG
133	P0783133	PHLP HD SCR M5-.8 X 35
134	P0783134	CAPACITOR MPP225K 1-1/4" X 3/4"
135	P0783135	STRAIN RELIEF TYPE-3 PG20

Please Note: We do our best to stock replacement parts whenever possible, but we cannot guarantee that all parts shown here are available for purchase. Call (800) 523-4777 or visit our online parts store at www.grizzly.com to check for availability.



Vise

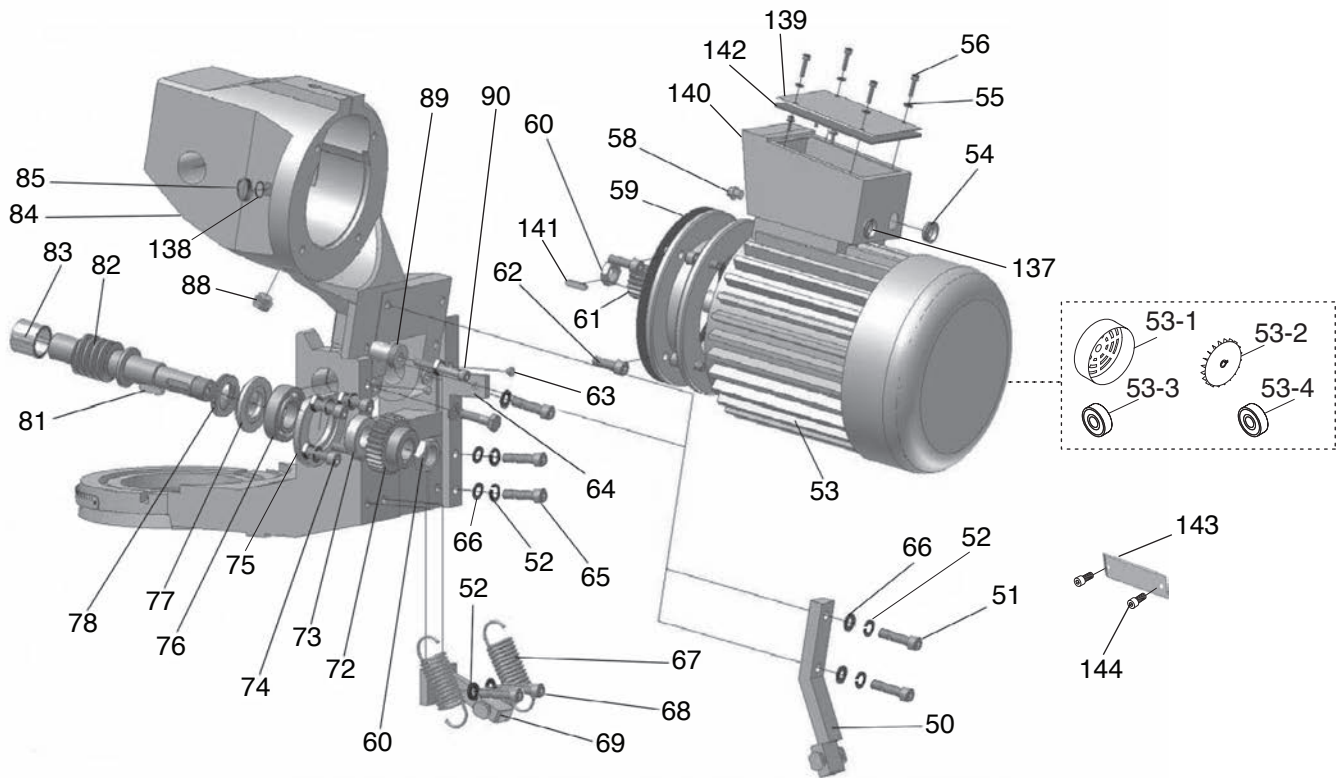


REF	PART #	DESCRIPTION
30	P0783030	WISE HANDLE HUB COVER
31	P0783031	HANDLE HUB
32	P0783032	LEVER HANDLE 160L M10-1.5 X 10
34	P0783034	KEY 6 X 6 X 10
35	P0783035	LEADSCREW
36	P0783036	GUIDE BAR
37	P0783037	SET SCREW M8-1.25 X 10
38	P0783038	WISE BASE
39	P0783039	ROLL PIN 10 X 30
41	P0783041	WISE JAW LEFT BEVEL

REF	PART #	DESCRIPTION
42	P0783042	CAP SCREW M6-1 X 24
43	P0783043	SPLASH GUARD SUPPORT
44	P0783044	SPLASH GUARD
45	P0783045	HEX NUT M8-1.25
46	P0783046	WISE JAW RIGHT BEVEL
47	P0783047	CAP SCREW M8-1.25 X 30
48	P0783048	WISE BODY
49	P0783049	OIL CUP M8-1.25 X 7
136	P0783136	CAP SCREW M8-1.25 X 12
180	P0783180	HEX NUT M20-2.5



Motor

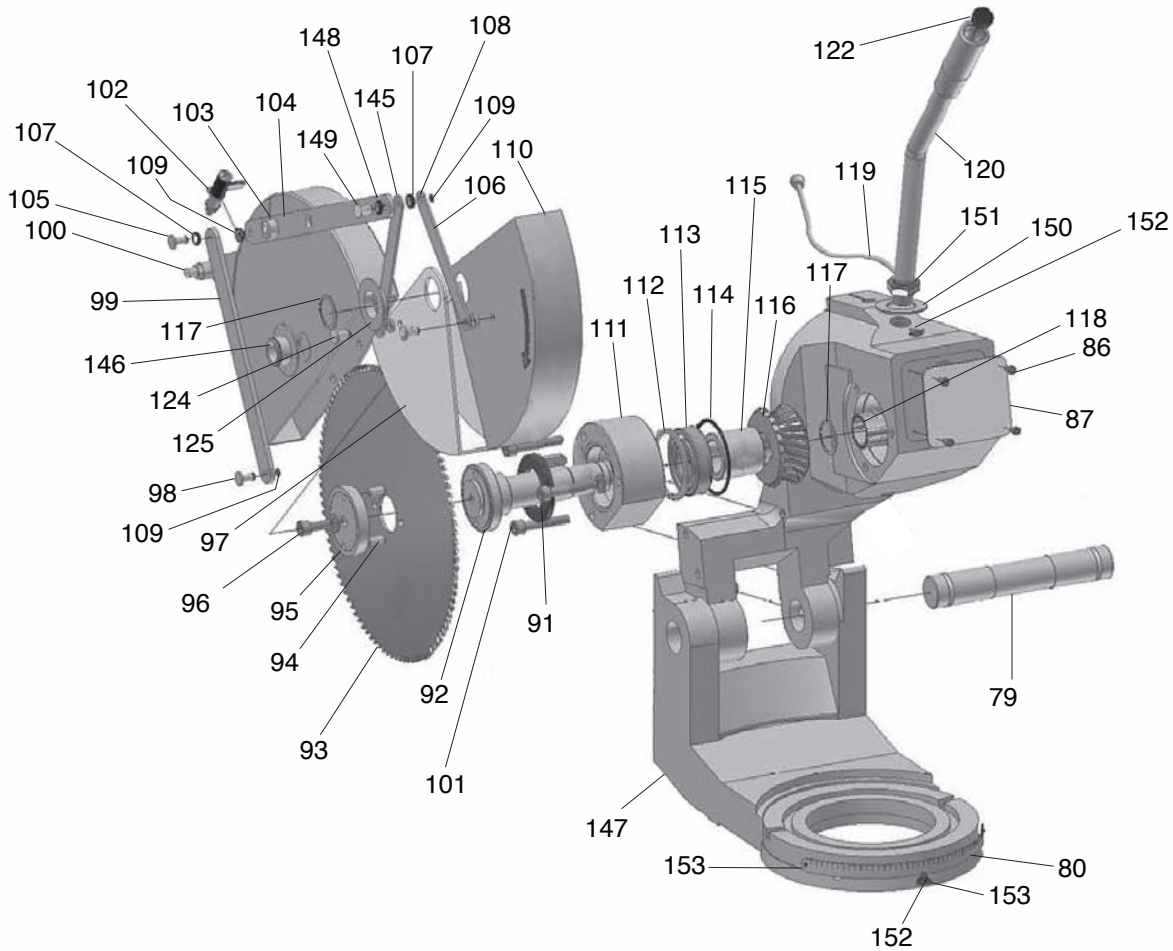


REF	PART #	DESCRIPTION
50	P0783050	SPRING ARM (UPPER)
51	P0783051	CAP SCREW M8-1.25 X 25
52	P0783052	LOCK WASHER 8MM
53	P0783053	MOTOR 2.7 HP 220V 3-PH
53-1	P0783053-1	MOTOR FAN COVER
53-2	P0783053-2	MOTOR FAN
53-3	P0783053-3	BALL BEARING 6205ZZ
53-4	P0783053-4	BALL BEARING 6205ZZ
54	P0783054	STRAIN RELIEF TYPE-3 PG15
55	P0783055	FLAT WASHER 5MM
56	P0783056	CAP SCREW M5-.8 X 10
58	P0783058	TRIGGER BUTTON CONNECTION
59	P0783059	MOTOR GASKET
60	P0783060	HEX NUT M20-2.5
61	P0783061	GEAR 17T
62	P0783062	CAP SCREW M10-1.5 X 20
63	P0783063	BALL OILER 10MM PRESS-IN
64	P0783064	HOOD ARM MOUNTING BRACKET
65	P0783065	CAP SCREW M8-1.25 X 25
66	P0783066	FLAT WASHER 8MM
67	P0783067	HEAD EXTENSION SPRING
68	P0783068	CAP SCREW M8-1.25 X 25
69	P0783069	SPRING ARM (LOWER)

REF	PART #	DESCRIPTION
72	P0783072	GEAR 31T
73	P0783073	SPACER 44 X 17
74	P0783074	CAP SCREW M10-1.5 X 20
75	P0783075	WORM SHAFT RETAINING COLLAR 96MM
76	P0783076	BALL BEARING 6206ZZ
77	P0783077	BEARING COVER 62 X 7
78	P0783078	THRUST BEARING 8106
81	P0783081	KEY 10 X 8 X 25
82	P0783082	WORM SHAFT
83	P0783083	NEEDLE BEARING BK3026
84	P0783084	MOTOR HOUSING
85	P0783085	OIL SIGHT GLASS 24MM
88	P0783088	DRAIN PLUG M16-2 X 12
89	P0783089	KNURLED NUT M10-1.5
90	P0783090	CAP SCREW M10-1.5 X 80
137	P0783137	STRAIN RELIEF TYPE-3 PG20
138	P0783138	LOCK WASHER 10MM
139	P0783139	CONTROL BOX COVER
140	P0783140	CONTROL BOX
141	P0783141	KEY 6 X 6 X 30
142	P0783142	RUBBER GASKET
143	P0783143	MOTOR SPEC PLATE
144	P0783144	CAP SCREW M3-.5 X 6



Column & Headstock

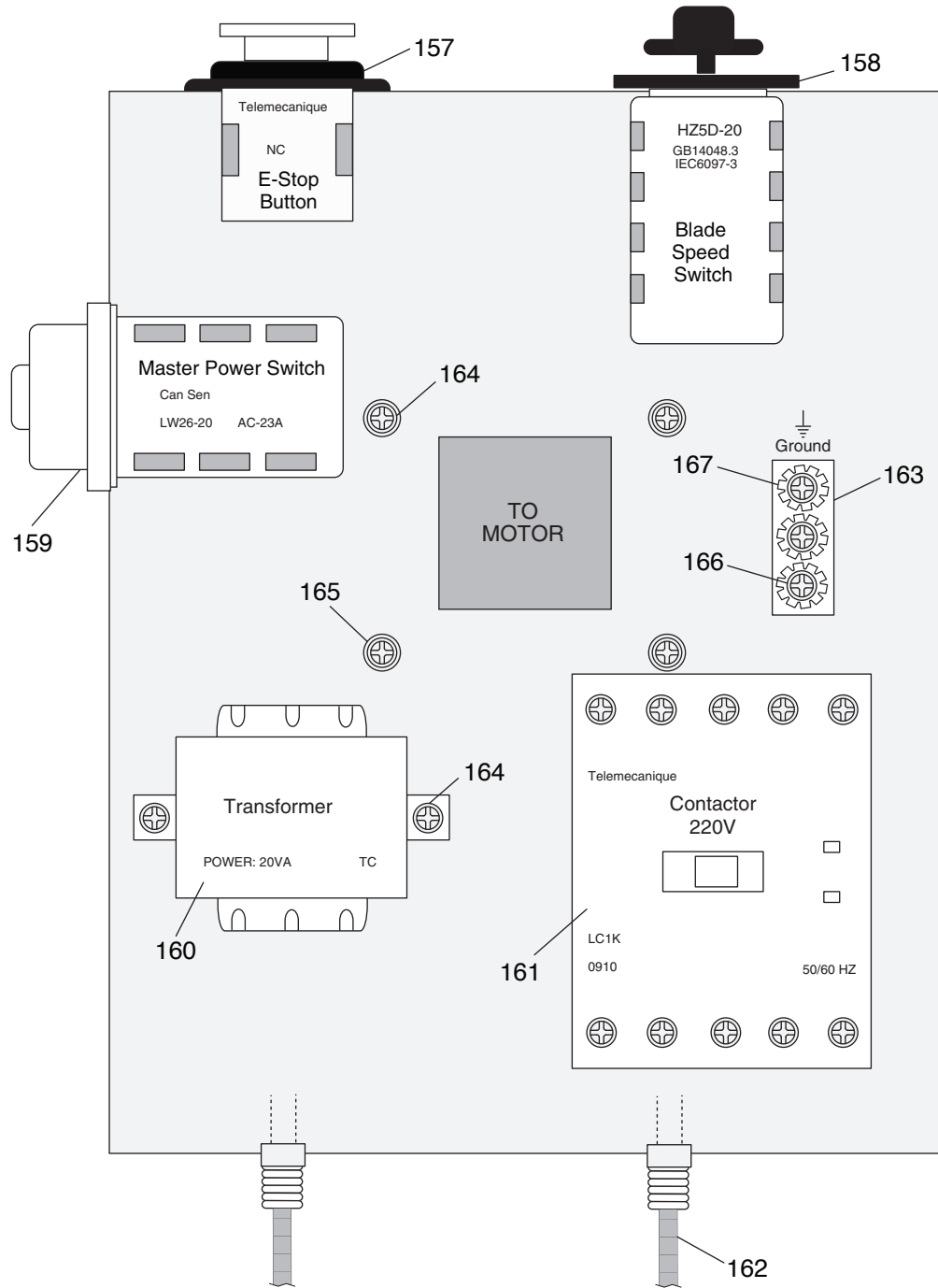


REF	PART #	DESCRIPTION
79	P0783079	PIVOT SHAFT
80	P0783080	MITER SCALE
86	P0783086	CAP SCREW M3-.5 X 6
87	P0783087	IDENTIFICATION PLATE
91	P0783091	OIL SEAL 45 X 65 X 14
92	P0783092	BLADE SPINDLE
93	P0783093	SAW BLADE 11" X 180-TOOTH
94	P0783094	ROLL PIN 8 X 20
95	P0783095	BLADE FLANGE
96	P0783096	CAP SCREW M10-1.5 X 25 LH
97	P0783097	LOWER BLADE HOOD
98	P0783098	CLEVIS PIN 8 X 18 GROOVED
99	P0783099	BLADE HOOD LINKAGE 9-1/2"
100	P0783100	HOOD ROD PIVOT
101	P0783101	CAP SCREW M10-1.5 X 60
102	P0783102	COOLANT SHUT-OFF VALVE
103	P0783103	EXT RETAINING RING 9MM
104	P0783104	BLADE HOOD LINKAGE 11-1/2"
105	P0783105	CLEVIS PIN 8 X 15 GROOVED
106	P0783106	BLADE HOOD LINKAGE 7-1/2"
107	P0783107	SPACER 8 X 3MM (NYLON)
108	P0783108	BLADE HOOD LINKAGE 6-1/2"
109	P0783109	EXT RETAINING RING 8MM

REF	PART #	DESCRIPTION
110	P0783110	UPPER BLADE HOOD
111	P0783111	BEARING HOUSING
112	P0783112	EXT RETAINING RING 72MM
113	P0783113	BALL BEARING 6207-OPEN
114	P0783114	O-RING 75 X 2.7
115	P0783115	SPACER
116	P0783116	WORM GEAR
117	P0783117	EXT RETAINING RING 32MM
118	P0783118	NEEDLE BEARING BK3026
119	P0783119	LEVER ARM CABLE 36" RUBBER
120	P0783120	LEVER ARM M22-2.5
122	P0783122	POWER BUTTON ONPOW LAS1-A 5A
124	P0783124	CLEVIS PIN 8 X 13 GROOVED
125	P0783125	SPACER 2 X 30MM (NYLON)
145	P0783145	HOOD ROD PIVOT
146	P0783146	HOOD PIVOT SPACER
147	P0783147	BASE
148	P0783148	SPACER 8 X 2MM (NYLON)
149	P0783149	CLEVIS PIN 8 X 22 GROOVED
150	P0783150	FLAT WASHER 22MM
151	P0783151	HEX NUT M22-2.5
152	P0783152	LEVER ARM POINTER
153	P0783153	RIVET 2 X 6MM NAMEPLATE, STEEL



Electrical Parts

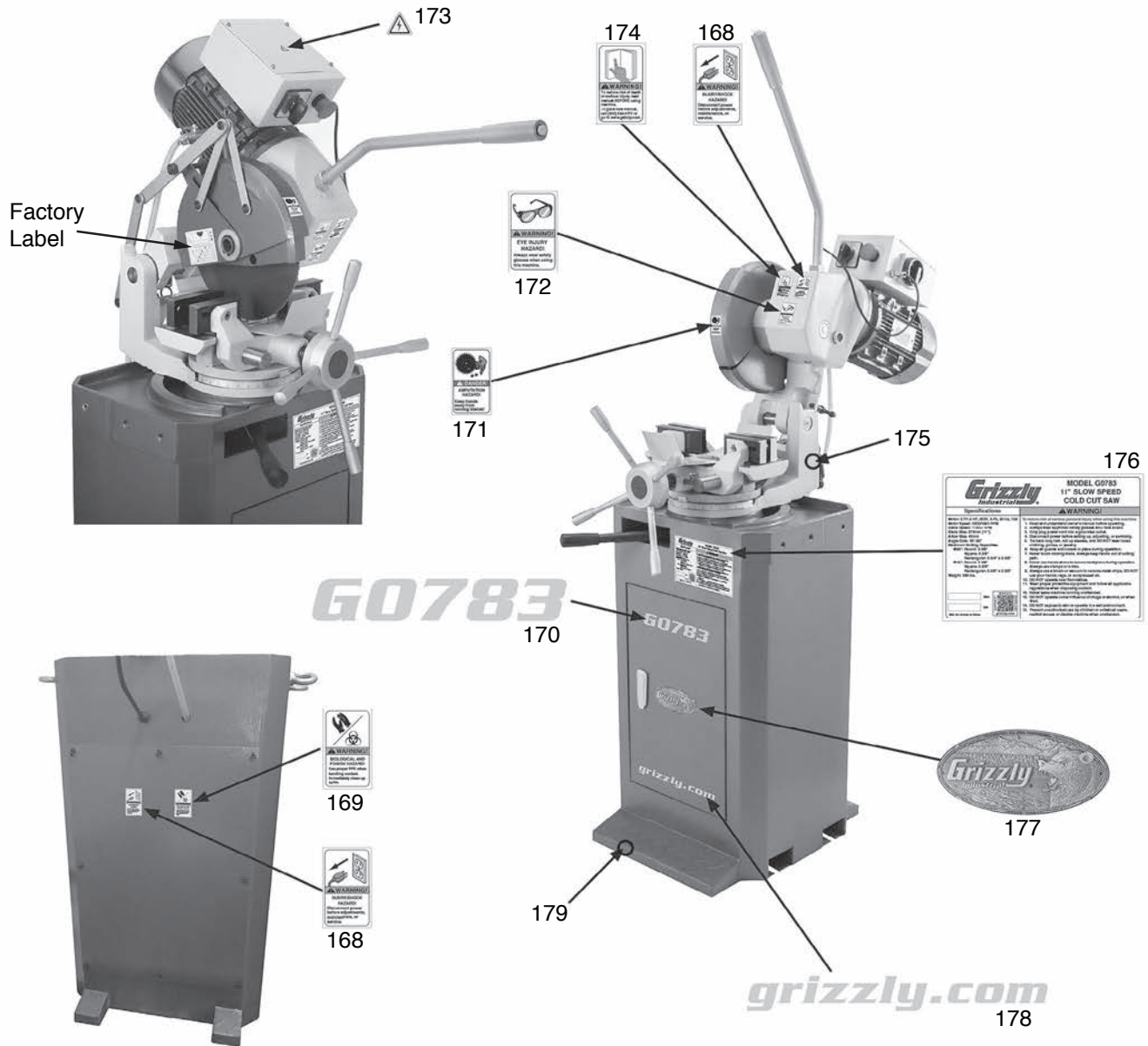


REF PART #	DESCRIPTION
157	P0783157 E-STOP BUTTON TELE ZB2-BE102C
158	P0783158 ROTARY SWITCH CANSEN HZ5D-20 1/0/2
159	P0783159 ROTARY SWITCH CANSEN LW26-20 24V
160	P0783160 TRANSFORMER 20VATC 230V/400V
161	P0783161 CONTACTOR TELE LC1K-0910 24V
162	P0783162 PUMP CORD 3-WIRE, 72"

REF PART #	DESCRIPTION
163	P0783163 GROUNDING BLOCK 3-TERMINAL
164	P0783164 PHLP HD SCR M4-.7 X 6
165	P0783165 FLAT WASHER 4MM
166	P0783166 PHLP HD SCR M5-.8 X 6
167	P0783167 EXT TOOTH WASHER 5MM



Labels & Cosmetics



REF	PART #	DESCRIPTION
168	P0783168	DISCONNECT 110V LABEL
169	P0783169	BIOLOGICAL/POISON LABEL
170	P0783170	MODEL NUMBER LABEL
171	P0783171	BLADE/AMPUTATION LABEL
172	P0783172	SAFETY GLASSES LABEL
173	P0783173	ELECTRICITY LABEL

REF	PART #	DESCRIPTION
174	P0783174	READ MANUAL LABEL
175	P0783175	GRIZZLY PUTTY TOUCH-UP PAINT
176	P0783176	MACHINE ID LABEL
177	P0783177	GRIZZLY NAMEPLATE-MINI
178	P0783178	GRIZZLY.COM LABEL
179	P0783179	GRIZZLY GREEN TOUCH-UP PAINT

!WARNING

Safety labels warn about machine hazards and ways to prevent injury. The owner of this machine **MUST** maintain the original location and readability of the labels on the machine. If any label is removed or becomes unreadable, **REPLACE** that label before using the machine again. Contact Grizzly at (800) 523-4777 or www.grizzly.com to order new labels.

