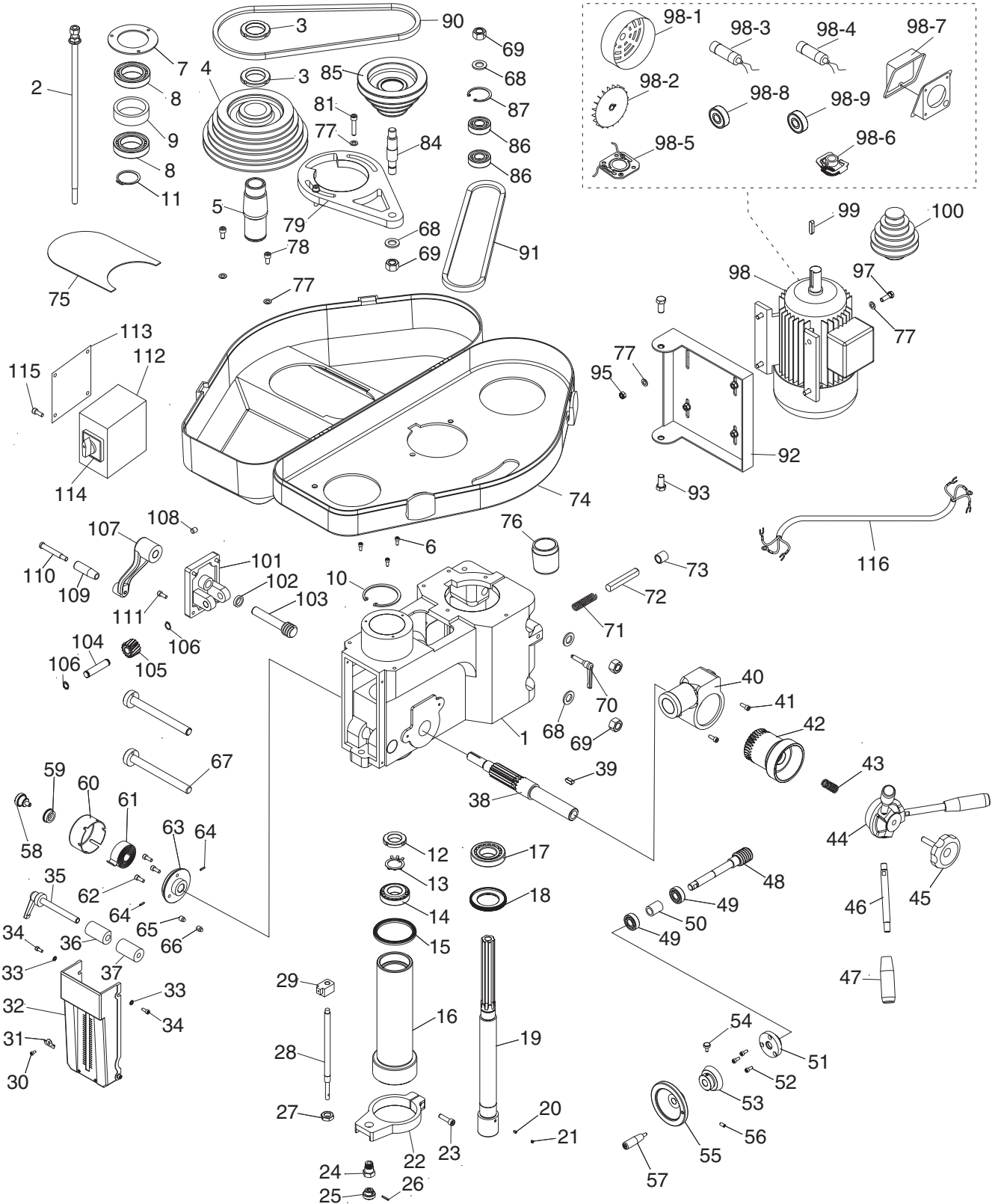


SECTION 9: PARTS

Main Breakdown



Main Parts List

REF PART #	DESCRIPTION	REF PART #	DESCRIPTION		
1	P0784001	HEAD CASTING	51	P0784051	QUILL WORM SHAFT COVER
2	P0784002	DRAWBAR 7/16-20 X 17-3/4	52	P0784052	CAP SCREW M5-.8 X16
3	P0784003	SPANNER NUT M42-2.5	53	P0784053	FINE DOWNFEED INDEX
4	P0784004	SPINDLE PULLEY	54	P0784054	KNURLED THUMB SCREW M5-.8 X 12
5	P0784005	SPINDLE TAPER SLEEVE	55	P0784055	HANDWHEEL DISHED 100MM
6	P0784006	CAP SCREW M5-.8 X 12	56	P0784056	SET SCREW M6-1 X 12
7	P0784007	OUTER BEARING PLATE	57	P0784057	HANDWHEEL HANDLE M6-1 X 6, 52 L
8	P0784008	BALL BEARING 6009ZZ	58	P0784058	KNOB BOLT M8-1.25 X 12
9	P0784009	SPACER 74MM	59	P0784059	BUSHING
10	P0784010	INT RETAINING RING 75MM	60	P0784060	SPRING COVER
11	P0784011	EXT RETAINING RING 45MM	61	P0784061	FLAT COIL SPRING
12	P0784012	SPANNER NUT M30-1.5	62	P0784062	CAP SCREW M6-1 X 12
13	P0784013	EXT TOOTH WASHER 30MM	63	P0784063	SPRING BASE
14	P0784014	TAPERED ROLLER BEARING 30206	64	P0784064	ROLL PIN 3 X 12
15	P0784015	RUBBER FLANGE	65	P0784065	CAP SCREW M10-1.5 X 12
16	P0784016	QUILL	66	P0784066	SET SCREW M10-1.5 X 12
17	P0784017	TAPERED ROLLER BEARING 30207	67	P0784067	CLAMPING BOLT M16-2 X 178
18	P0784018	BEARING COVER	68	P0784068	FLAT WASHER 16MM
19	P0784019	SPINDLE R-8	69	P0784069	HEX NUT M16-2
20	P0784020	SET SCREW M5-.8 X 6 DOG-PT	70	P0784070	LOCK HANDLE M8-1.25 X 25
21	P0784021	SET SCREW M5-.8 X 6	71	P0784071	COMPRESSION SPRING
22	P0784022	QUILL CLAMP	72	P0784072	BELT TENSION ROD
23	P0784023	CAP SCREW M8-1.25 X 30	73	P0784073	BELT TENSION CAP (RUBBER)
24	P0784024	INT THREADED BOLT M16-2 X 20	74	P0784074	BELT COVER
25	P0784025	KNURLED THUMB SCREW M12-1.75 X 230	75	P0784075	BELT COVER GUARD
26	P0784026	ROLL PIN 3 X 18	76	P0784076	DRAWBAR COVER
27	P0784027	HEX NUT M16-2 THIN	77	P0784077	FLAT WASHER 8MM
28	P0784028	DEPTH GAUGE LEADSCREW	78	P0784078	HEX BOLT M8-1.25 X 20
29	P0784029	DEPTH ROD DOG	79	P0784079	PULLEY IDLER PLATE
30	P0784030	CAP SCREW M4-.7 X 8	81	P0784081	CAP SCREW M8-1.25 X 40
31	P0784031	DEPTH POINTER	84	P0784084	IDLER PULLEY SHAFT
32	P0784032	FRONT COVER	85	P0784085	IDLER PULLEY
33	P0784033	FLAT WASHER 5MM	86	P0784086	BALL BEARING 6204Z
34	P0784034	CAP SCREW M5-.8 X 12	87	P0784087	INT RETAINING RING 47MM
35	P0784035	QUILL LOCK HANDLE	90	P0784090	V-BELT A33
36	P0784036	OUTER QUILL CLAMP	91	P0784091	V-BELT A39
37	P0784037	INNER QUILL CLAMP	92	P0784092	MOTOR MOUNT
38	P0784038	PINION SHAFT	93	P0784093	HEX BOLT M12-1.75 X 20
39	P0784039	KEY 8 X 8 X 20	95	P0784095	HEX NUT M8-1.25
40	P0784040	QUILL WORM GEAR CASE	97	P0784097	HEX BOLT M8-1.25 X 30
41	P0784041	CAP SCREW M6-1 X 20	98	P0784098	MOTOR 2HP 220V 1-PH
42	P0784042	QUILL WORM GEAR	98-1	P0784098-1	MOTOR FAN COVER
43	P0784043	COMPRESSION SPRING	98-2	P0784098-2	MOTOR FAN
44	P0784044	LEVER BASE	98-3	P0784098-3	R CAPACITOR 20M 450V 1-5/8 X 3-1/4
45	P0784045	KNOB BOLT M10-1.5 X 45	98-4	P0784098-4	S CAPACITOR 150M 250V 1-5/8 X 3
46	P0784046	LEVER M12-1.75 X 145	98-5	P0784098-5	CONTACT PLATE
47	P0784047	TAPERED KNOB M12-1.75	98-6	P0784098-6	CETRIFUGAL SWITCH
48	P0784048	QUILL WORM SHAFT	98-7	P0784098-7	MOTOR JUNCTION BOX
49	P0784049	BALL BEARING 6202ZZ	98-8	P0784098-8	BALL BEARING 6205Z (FRONT)
50	P0784050	SPACER 29MM	98-9	P0784098-9	BALL BEARING 6205Z (REAR)

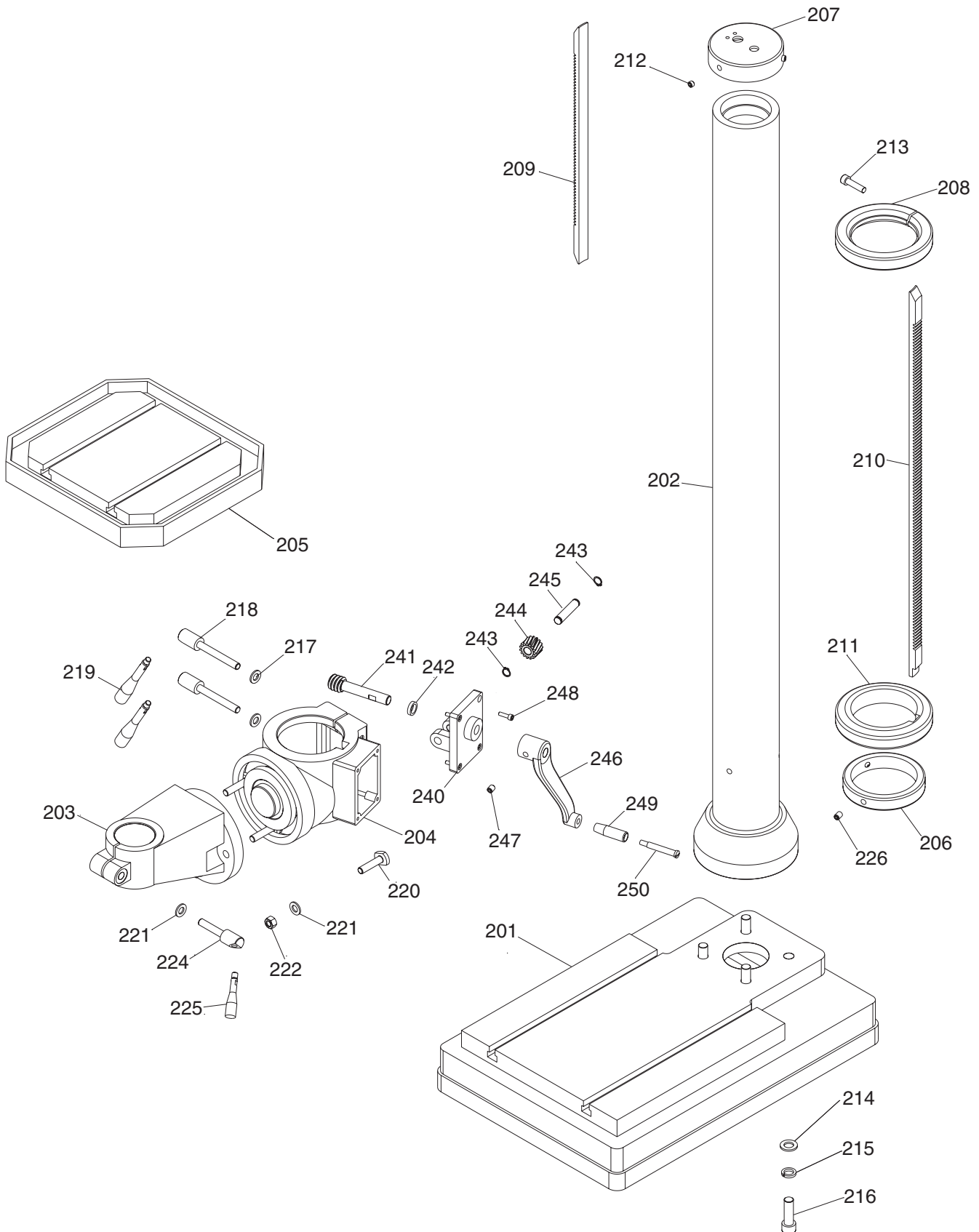


Main Parts List Cont.

REF PART #		DESCRIPTION	REF PART #		DESCRIPTION
99	P0784099	KEY 8 X 8 X 25	108	P0784108	CAP SCREW M10-1.5 X 12
100	P0784100	MOTOR PULLEY SET	109	P0784109	ELEVATION CRANK HANDLE 80MM L
101	P0784101	ELEVATION CRANK BRACKET	110	P0784110	SHOULDER SCREW M10-1.5 X 10, 11 X 45
102	P0784102	WORM SHAFT BUSHING	111	P0784111	CAP SCREW M6-1 X 20
103	P0784103	ELEVATION WORM SHAFT	112	P0784112	SWITCH BOX
104	P0784104	ELEVATION GEAR SHAFT	113	P0784113	SWITCH BOX COVER
105	P0784105	HELICAL GEAR 15T	114	P0784114	ROTARY SWITCH CANSEN LW5D-16
106	P0784106	EXT RETAINING RING 14MM	115	P0784115	CAP SCREW M4-.7 X 6
107	P0784107	ELEVATION CRANK	116	P0784116	POWER CORD 14G 3W 72"



Base Breakdown



Base Parts List

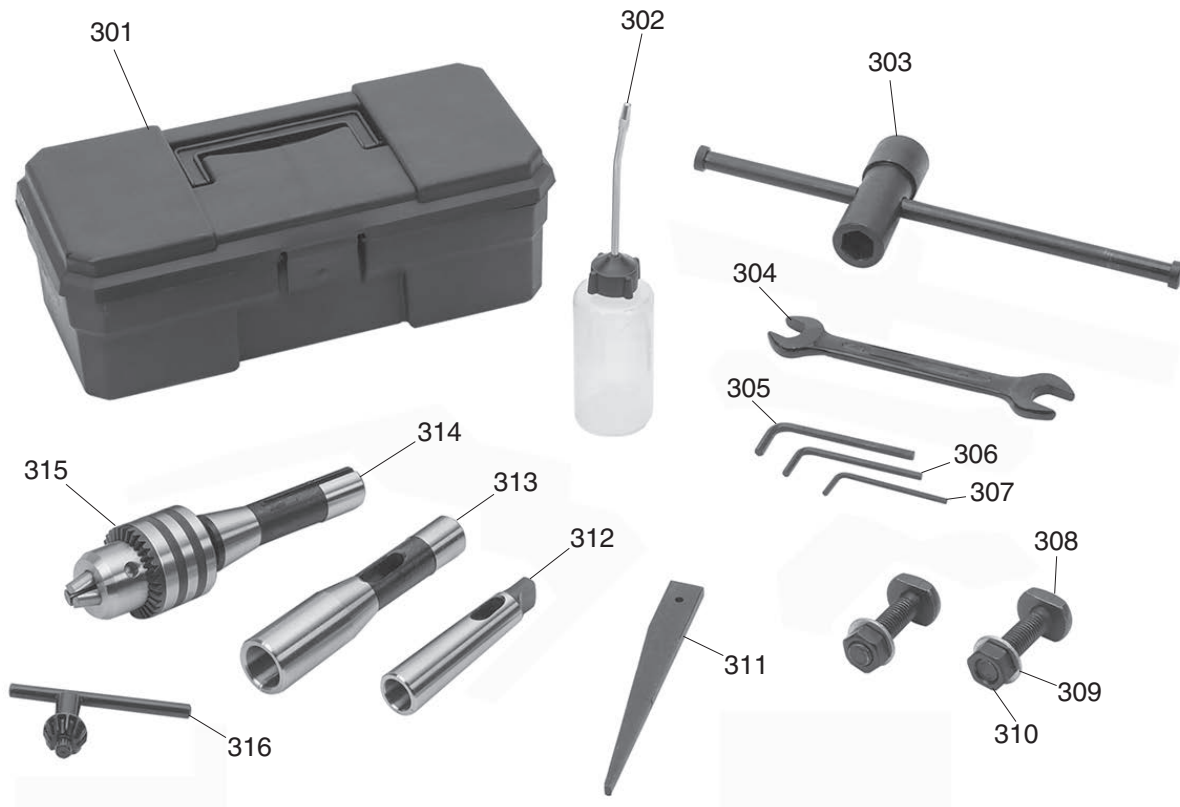
REF	PART #	DESCRIPTION
201	P0784201	BASE CASTING
202	P0784202	COLUMN
203	P0784203	TABLE BRACKET
204	P0784204	TABLE ELEVATION CASTING
205	P0784205	WORK TABLE
206	P0784206	COLUMN COLLAR
207	P0784207	COLUMN CAP
208	P0784208	LOCKED GUIDE RING
209	P0784209	HEAD RACK
210	P0784210	TABLE RACK
211	P0784211	FIXED GUIDE RING
212	P0784212	SET SCREW M10-1.5 X 8
213	P0784213	CAP SCREW M10-1.5 X 40
214	P0784214	FLAT WASHER 16MM
215	P0784215	LOCK WASHER 16MM
216	P0784216	CAP SCREW M16-2 X 50
217	P0784217	FLAT WASHER 12MM
218	P0784218	LOCKING HANDLE BASE M12-1.75 X 135

REF	PART #	DESCRIPTION
219	P0784219	LOCKING HANDLE M10-1.5 X 10
220	P0784220	T-BOLT M12-1.75 X 45
221	P0784221	FLAT WASHER 12MM
222	P0784222	HEX NUT M12-1.75
224	P0784224	TABLE HANDLE BASE M12-1.75 X 95
225	P0784225	TABLE HANDLE M10-1.5 X 6
226	P0784226	SET SCREW M10-1.5 X 10
240	P0784240	TABLE ELEVATION BRACKET
241	P0784241	TABLE ELEVATION WORM SHAFT
242	P0784242	SPACER
243	P0784243	EXT RETAINING RING 14MM
244	P0784244	HELICAL GEAR 15T
245	P0784245	WORM GEAR SHAFT
246	P0784246	TABLE ELEVATION CRANK
247	P0784247	SET SCREW M10-1.5 X 12
248	P0784248	CAP SCREW M6-1 X 20
249	P0784249	TABLE ELEVATION HANDLE 80MM L
250	P0784250	SHOULDER SCREW M10-1.5 X 10, 11 X 45

Please Note: We do our best to stock replacement parts whenever possible, but we cannot guarantee that all parts shown here are available for purchase. Call (800) 523-4777 or visit our online parts store at www.grizzly.com to check for availability.



Accessories



REF PART # DESCRIPTION

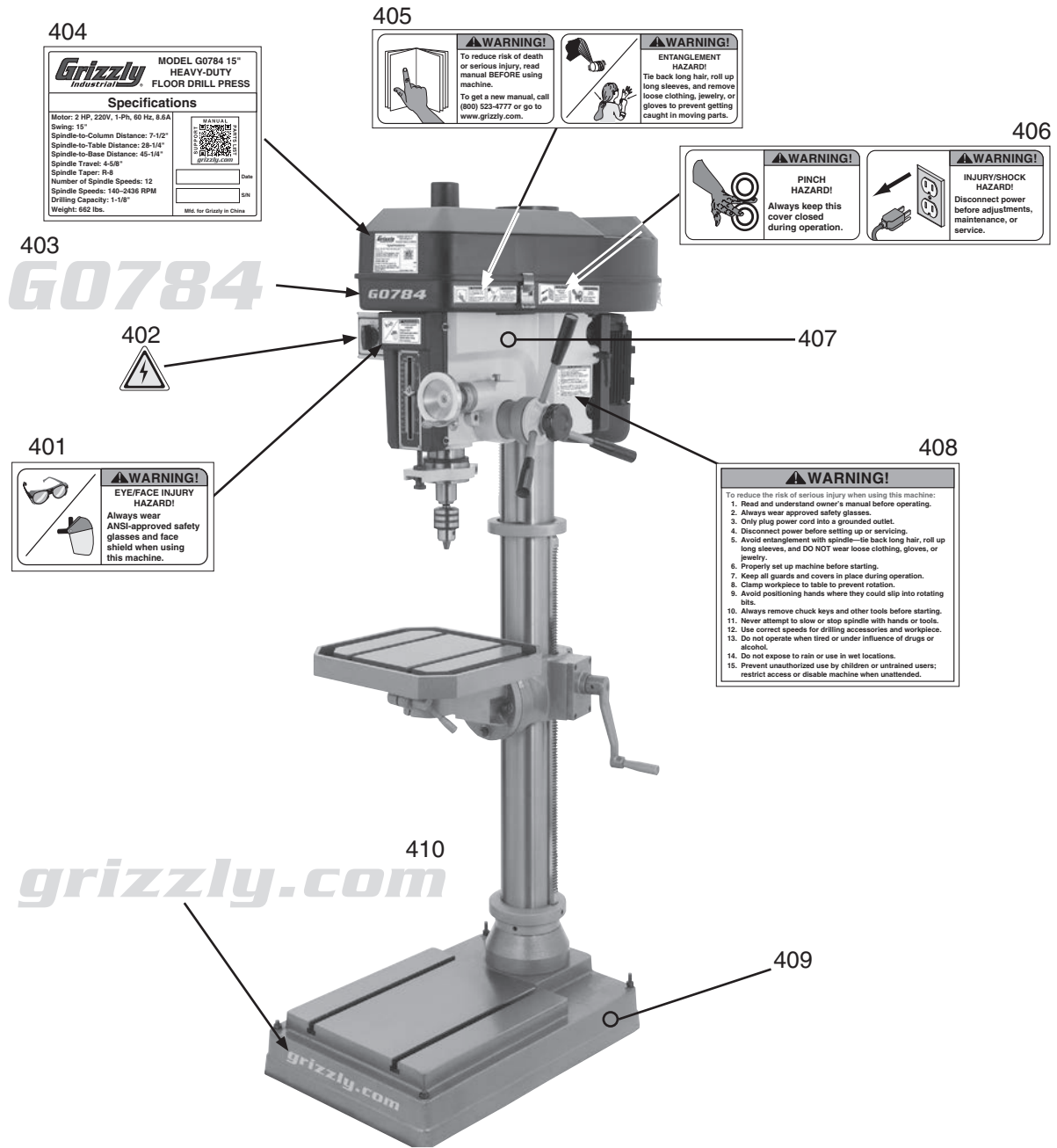
301	P0784301	TOOLBOX, PLASTIC
302	P0784302	BOTTLE FOR OIL
303	P0784303	LUG WRENCH 20/25MM
304	P0784304	WRENCH 17 X 19MM OPEN-ENDS
305	P0784305	HEX WRENCH 5MM
306	P0784306	HEX WRENCH 4MM
307	P0784307	HEX WRENCH 3MM
308	P0784308	T-BOLT M14-2 X 55

REF PART # DESCRIPTION

309	P0784309	FLAT WASHER 14MM
310	P0784310	HEX NUT M14-2
311	P0784311	DRIFT KEY
312	P0784312	SPINDLE SLEEVE MT#3 X MT#2
313	P0784313	SPINDLE SLEEVE R-8 X MT#3
314	P0784314	DRILL CHUCK ARBOR R8 X B16
315	P0784315	DRILL CHUCK B16 1-13MM
316	P0784316	DRILL CHUCK KEY 8MM STD 11 SD-16MM



Labels & Cosmetics



REF PART #	DESCRIPTION
401	P0784401 FACE SHIELD & SAFETY GLASSES LABEL
402	P0784402 ELECTRICITY LABEL
403	P0784403 MODEL NUMBER LABEL
404	P0784404 MACHINE ID LABEL
405	P0784405 MANUAL COMBINED SAFETY LABEL

REF PART #	DESCRIPTION
406	P0784406 PINCH COMBINED SAFETY LABEL
407	P0784407 PUTTY TOUCH-UP PAINT
408	P0784408 MAIN WARNINGS LABEL
409	P0784409 GRIZZLY GREEN TOUCH-UP PAINT
410	P0784410 GRIZZLY.COM LABEL

⚠️ WARNING

Safety labels help reduce the risk of serious injury caused by machine hazards. If any label comes off or becomes unreadable, the owner of this machine **MUST** replace it in the original location before resuming operations. For replacements, contact (800) 523-4777 or www.grizzly.com.

