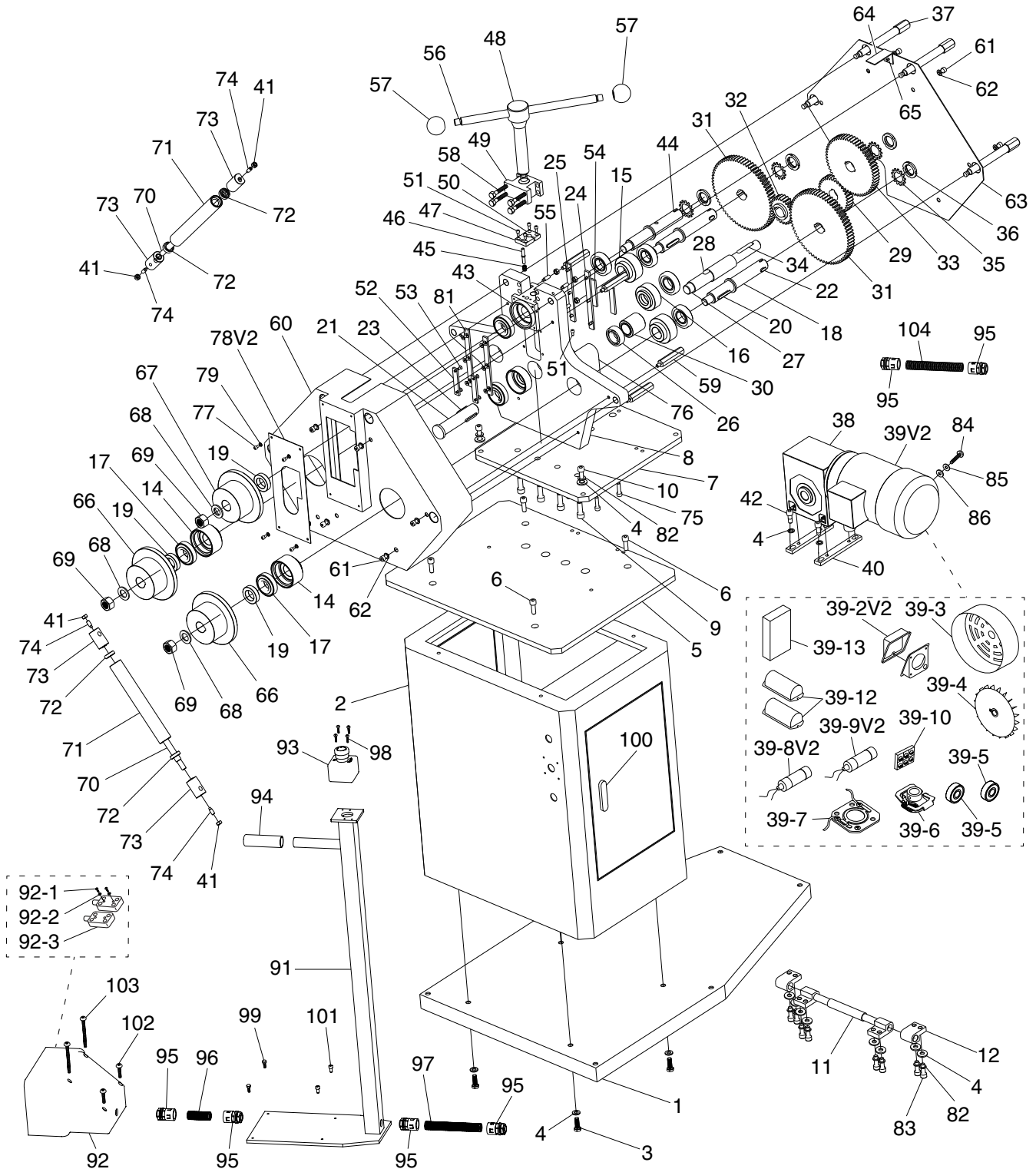


SECTION 9: PARTS

We do our best to stock replacement parts when possible, but we cannot guarantee that all parts shown are available for purchase. Call (800) 523-4777 or visit www.grizzly.com/parts to check for availability.

Main

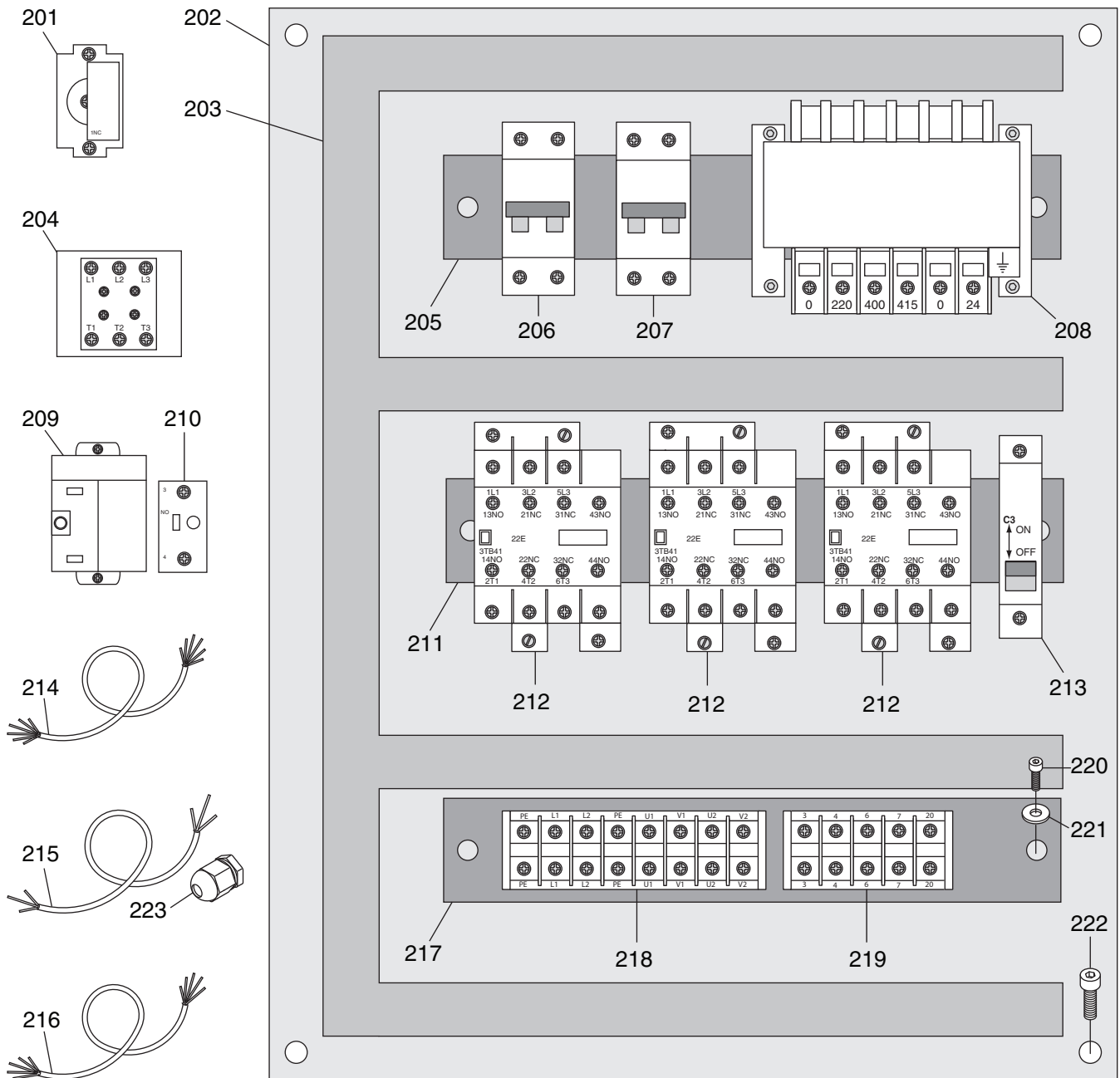


Main Parts List

REF	PART #	DESCRIPTION	REF	PART #	DESCRIPTION
1	P0792001	BASE PLATE	47	P0792047	ELEVATION SPACER BLOCK (LARGE)
2	P0792002	STAND W/DOOR	48	P0792048	ELEVATION LEVER SHAFT
3	P0792003	HEX BOLT M10-1.5 X 30	49	P0792049	ELEVATION SUPPORT BLOCK
4	P0792004	FLAT WASHER 10MM	50	P0792050	ELEVATION SPACER BLOCK (SMALL)
5	P0792005	MAIN PLATE	51	P0792051	CAP SCREW M5-.8 X 12
6	P0792006	CAP SCREW M10-1.5 X 30	52	P0792052	VERTICAL SLIDE BLOCK, SHORT (FRONT)
7	P0792007	PIVOT PLATE	53	P0792053	FLAT HD CAP SCR M5-.8 X 10
8	P0792008	GEARING PLATE	54	P0792054	VERTICAL SLIDE BLOCK, SHORT (REAR)
9	P0792009	CAP SCREW M12-1.75 X 35	55	P0792055	SET SCREW M8-1.25 X 25 DOG-PT
10	P0792010	CAP SCREW M10-1.5 X 35	56	P0792056	HANDLE SHAFT M16-2 X 16, 395L
11	P0792011	PIVOT SHAFT	57	P0792057	ROUND KNOB M16-2 SS
12	P0792012	HINGE	58	P0792058	HEX BOLT M10-1.5 X 60
14	P0792014	OUTER BEARING SLEEVE	59	P0792059	STAND-OFF HEX MF M8-1.25 X 14, M8-1.25
15	P0792015	INNER BEARING SLEEVE (LEFT)	60	P0792060	FRONT COVER
16	P0792016	INNER BEARING SLEEVE (RIGHT)	61	P0792061	CAP SCREW M8-1.25 X 16
17	P0792017	TAPERED ROLLER BEARING 30206	62	P0792062	FLAT WASHER 8MM
18	P0792018	GEAR SHAFT	63	P0792063	BACK COVER
19	P0792019	SPACER	64	P0792064	ANGLE BRACKET
20	P0792020	KEY 8 X 8 X 45	65	P0792065	CAP SCREW M6-1 X 10
21	P0792021	SHAFT	66	P0792066	ROLLER FLAT 3-13/16" (LOWER)
22	P0792022	KEY 8 X 8 X 18	67	P0792067	ROLLER FLAT 3-13/16" (UPPER)
23	P0792023	KEY 8 X 8 X 40	68	P0792068	FLAT WASHER 20MM
24	P0792024	VERTICAL SLIDE BLOCK, LONG (REAR)	69	P0792069	HEX NUT M20-1.5
25	P0792025	FLAT HD CAP SCR M6-1 X 12	70	P0792070	GUIDE ROLLER SHAFT
26	P0792026	BALL BEARING 6205-2RS	71	P0792071	GUIDE ROLLER SLEEVE
27	P0792027	GEAR SHAFT	72	P0792072	BALL BEARING 6001-2RS
28	P0792028	KEY 10 X 10 X 19	73	P0792073	GUIDE ROLLER BRACKET
29	P0792029	GEAR 33T	74	P0792074	SET SCREW M8-1.25 X 20 DOG-PT
30	P0792030	BUSHING	75	P0792075	CAP SCREW M8-1.25 X 30
31	P0792031	GEAR 68T	76	P0792076	DRIVESHAFT COVER
32	P0792032	GEAR 24T	77	P0792077	CAP SCREW M5-.8 X 10
33	P0792033	GEAR 55T	78V2	P0792078V2	UPPER ROLLER PLATE W/SCALE V2.12.15
34	P0792034	KEY 8 X 8 X 56	79	P0792079	FLAT WASHER 5MM
35	P0792035	EXT TOOTH LOCK WASHER 30MM	81	P0792081	VERTICAL SLIDE BLOCK, LONG (FRONT)
36	P0792036	SPANNER NUT M30-1.5	82	P0792082	LOCK WASHER 10MM
37	P0792037	ROLLER GUIDE ADJUSTMENT SHAFT	83	P0792083	CAP SCREW M10-1.5 X 30
38	P0792038	GEARBOX	84	P0792084	PHLP HD SCR M4-.7 X 8
39V2	P0792039V2	MOTOR 2HP 220V 1-PH V2.12.15	85	P0792085	WAVY WASHER 4MM
39-2V2	P0792039-2V2	MOTOR JUNCTION BOX V2.12.15	86	P0792086	FLAT WASHER 4MM
39-3	P0792039-3	MOTOR FAN COVER	91	P0792091	PEDAL SWITCH STAND
39-4	P0792039-4	MOTOR FAN	92	P0792092	PEDAL SWITCH ASSEMBLY
39-5	P0792039-5	BALL BEARING 6205-2RS	92-1	P0792092-1	PHLP HD SCR M3-.5 X 12
39-6	P0792039-6	CENTRIFUGAL SWITCH	92-2	P0792092-2	FLAT WASHER 3MM
39-7	P0792039-7	CONTACT PLATE	92-3	P0792092-3	FOOT PEDAL SWITCH
39-8V2	P0792039-8V2	S CAPACITOR 400M 275V 2 X 4 V2.12.15	93	P0792093	E-STOP BUTTON ZB2-BE102
39-9V2	P0792039-9V2	R CAPACITOR 40M 450V 2 X 3-3/4 V2.12.15	94	P0792094	HANDLE GRIP 25 X 128MM
39-10	P0792039-10	TERMINAL BLOCK 3P	95	P0792095	STRAIN RELIEF M20-1.5 TYPE-5
39-11	P0792039-11	TAP SCREW M3 X 12	96	P0792096	FLEXIBLE CONDUIT 7/8" X 3-1/2" (PLASTIC)
39-12	P0792039-12	CAPACITOR COVER	97	P0792097	FLEXIBLE CONDUIT 7/8" X 63" (PLASTIC)
39-13	P0792039-13	ELECTRONIC START SWITCH ESS1-40	98	P0792098	PHLP HD SCR M4-.7 X 28
40	P0792040	MOTOR MOUNT BLOCK	99	P0792099	HEX BOLT M6-1 X 12
41	P0792041	HEX NUT M8-1.25	100	P0792100	DOOR LATCH W/KEY
42	P0792042	CAP SCREW M10-1.5 X 25	101	P0792101	CAP SCREW M6-1 X 16
43	P0792043	ELEVATION SLIDE BLOCK	102	P0792102	PHLP HD SCR M5-.8 X 26
44	P0792044	GEAR SHAFT	103	P0792103	PHLP HD SCR M5-.8 X 95
45	P0792045	COMPRESSION SPRING 10.5 X 15	104	P0792104	FLEXIBLE CONDUIT 7/8" X 24" (PLASTIC)
46	P0792046	SPRING SHAFT			



Electrical Panel

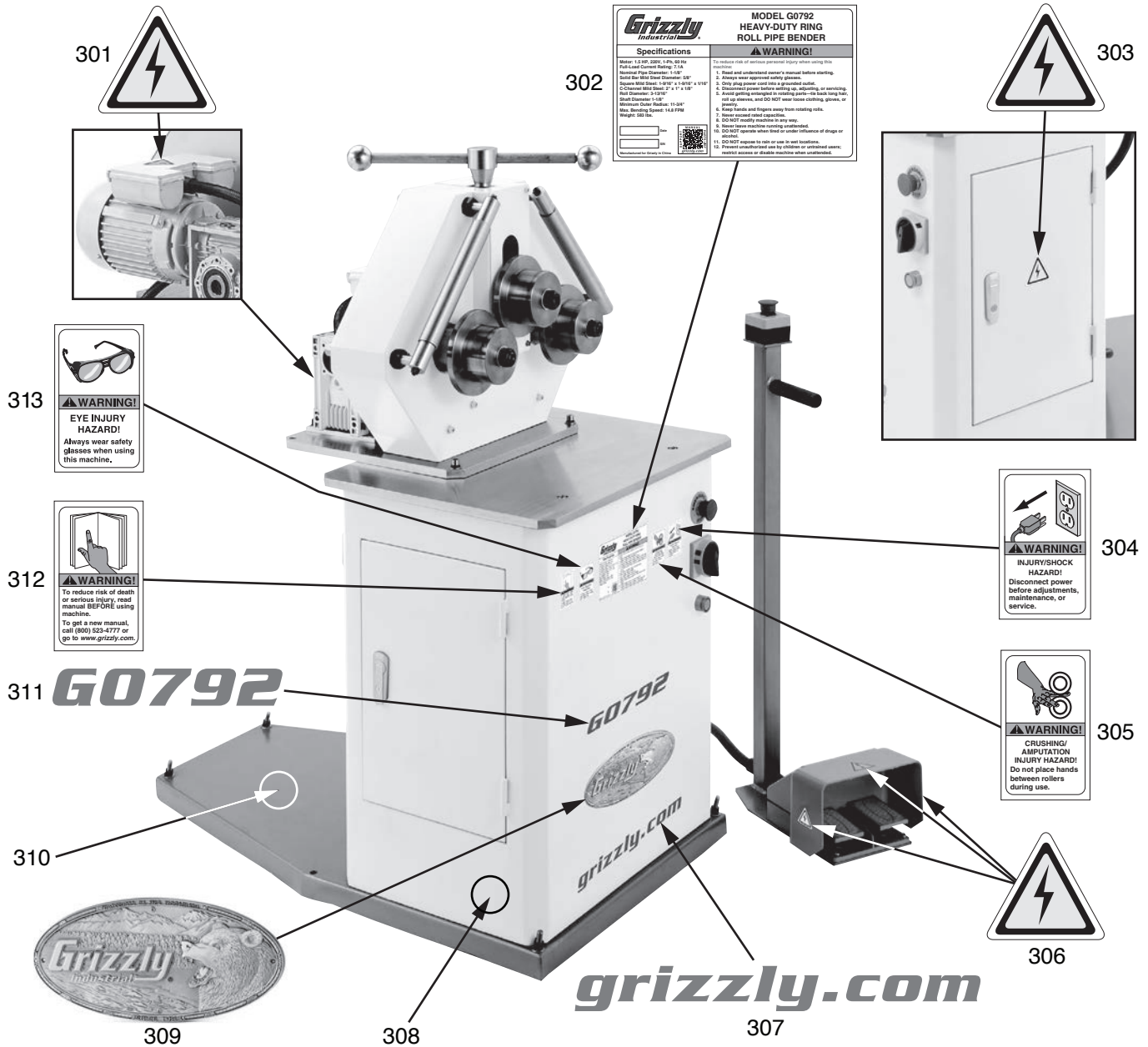


REF PART #	DESCRIPTION
201	P0792201 E-STOP BUTTON ANIUEC LA158-BE102
202	P0792202 ELECTRICAL PANEL MOUNTING PLATE
203	P0792203 WIRE RACEWAY
204	P0792204 POWER SWITCH E&E LW8GS-25/30000
205	P0792205 DIN RAIL (UPPER)
206	P0792206 CIRCUIT BREAKER 10A CHNT DZ47-60 D10 2P
207	P0792207 CIRCUIT BREAKER 3A CHNT DZ47-60 C3 2P
208	P0792208 TRANSFORMER BEIJ AOHENGDA JB/T555
209	P0792209 POWER LAMP ANIUEC LA158-BW 24V
210	P0792210 POWER BUTTON ANIUEC LA158-BE101
211	P0792211 DIN RAIL (MIDDLE)
212	P0792212 CONTACTOR SIEMENS 3TB41 22-0X

REF PART #	DESCRIPTION
213	P0792213 CIRCUIT BREAKER 3A CHNT DZ47-60 C3 1P
214	P0792214 FOOT SWITCH CORD 12G 6W 60"
215	P0792215 POWER CORD 12G 3W 72"
216	P0792216 MOTOR CORD 12G 5W 48"
217	P0792217 DIN RAIL (LOWER)
218	P0792218 TERMINAL BAR 8P
219	P0792219 TERMINAL BAR 5P
220	P0792220 CAP SCREW M4-.7 X 8
221	P0792221 FLAT WASHER 4MM
222	P0792222 CAP SCREW M6-1 X 12
223	P0792223 STRAIN RELIEF M20-2 TYPE-3



Labels & Cosmetics



Grizzly
Industrial

**MODEL G0792
HEAVY-DUTY RING
ROLL PIPE BENDER**

Specifications

Motor: 1.5 HP, 230V, 1-Phi, 50 Hz
Roll Speed: 10 RPM
Roller Size: 1-1/2" x 1-1/2" x 1-1/2"
Roller Material: 4140 Steel
Roller Hardness: 50 HRC
Roller Finish: Polished
Roller Spacing: 14-1/2"
Roller Weight: 25 lbs

WARNING!
To reduce risk of serious personal injury when using this machine:

1. Read and understand operator's manual before starting.
2. Always wear approved safety glasses.
3. Only plug power cord into a grounded outlet.
4. Disconnect power before setting up, adjusting, or servicing.
5. Disconnect power before rolling pipe—do not touch rollers, not up sleeves, and DO NOT wear loose clothing, gloves, or jewelry.
6. Keep hands and fingers away from rotating rolls.
7. Never reach over operator.
8. Never leave machine running unattended.
9. DO NOT operate when tired or under influence of drugs or alcohol.
10. DO NOT operate when head or under influence of drugs or alcohol.
11. DO NOT operate in rain or use in wet locations.
12. Permit construction site by qualified or authorized person. Restricted access or disable machine when unattended.

REF	PART #	DESCRIPTION
301	P0792301	ELECTRICITY LABEL
302	P0792302	MACHINE ID LABEL
303	P0792303	ELECTRICITY LABEL
304	P0792304	DISCONNECT POWER LABEL
305	P0792305	CRUSHING/AMPUTATION HAZARD LABEL
306	P0792306	ELECTRICITY LABEL
307	P0792307	GRIZZLY.COM LABEL

REF	PART #	DESCRIPTION
308	P0792308	GRIZZLY BEIGE TOUCH-UP PAINT
309	P0792309	GRIZZLY NAMEPLATE
310	P0792310	GRIZZLY GREEN TOUCH-UP PAINT
311	P0792311	MODEL NUMBER LABEL
312	P0792312	READ MANUAL LABEL
313	P0792313	EYE INJURY HAZARD LABEL

!WARNING

Safety labels help reduce the risk of serious injury caused by machine hazards. If any label comes off or becomes unreadable, the owner of this machine **MUST** replace it in the original location before resuming operations. For replacements, contact (800) 523-4777 or www.grizzly.com.

