

Parts List

REF	PART #	DESCRIPTION	REF	PART #	DESCRIPTION
1	P0794001	BASE	55	P0794055	MOTOR MOUNTING PLATE
2	P0794002	HEX BOLT M10-1.5 x 35	56	P0794056	FLAT WASHER 12MM
3	P0794003	LONG RACK	57	P0794057	HEX NUT M12-1.75
4	P0794004	COLUMN W/COLUMN HOLDER	58	P0794058	MOTOR 3/4HP 110V 1-PH
5	P0794005	TABLE BRACKET	58-1	P0794058-1	CAPACITOR COVER
6	P0794006	HANDLE	58-2	P0794058-2	MOTOR JUNCTION BOX
7	P0794007	SET SCREW M6-1 X 10	58-3	P0794058-3	MOTOR FAN COVER
8	P0794008	SHAFT	58-4	P0794058-4	MOTOR FAN
9	P0794009	STUD-SE M6-1 X 12, 17	58-6	P0794058-6	S CAPACITOR 200M 125V
10	P0794010	HEX NUT M6-1	58-7	P0794058-7	CENTRIFUGAL SWITCH
11	P0794011	FLAT WASHER 16MM	58-8	P0794058-8	CONTACT PLATE
12	P0794012	HEX BOLT M16-2 X 40	58-9	P0794058-9	BALL BEARING 6203ZZ
13	P0794013	SWIVEL LOCK HANDLE M10-1.5 X 30	58-10	P0794058-10	BALL BEARING 6203ZZ
14	P0794014	TABLE ARM BRACKET	58-11V2	P0794058-11V2	TERMINAL BLOCK 3P V2.05.18
15	P0794015	TABLE	59	P0794059	MOTOR PULLEY
16	P0794016	SWIVEL LOCK HANDLE M12-1.75 X 50	60	P0794060	KEY 5 X 5 X 25
17	P0794017	GEAR 10T	61	P0794061	SET SCREW M6-1 X 10
18	P0794018	WORM GEAR	62	P0794062	V-BELT M24
19	P0794019	RACK RING	63	P0794063	CENTER SHAFT
20	P0794020	STOP PIN	64	P0794064	BALL BEARING 6202ZZ
21	P0794021	SET SCREW M6-1 X 10	65	P0794065	BALL BEARING 6202ZZ
22	P0794022	FEED SHAFT	66	P0794066	EXT RETAINING RING 15MM
23	P0794023	DEPTH RING	67	P0794067	CENTER PULLEY
24	P0794024	ROLL PIN 5 X 40	68	P0794068	FLAT WASHER 6MM
25	P0794025	DOWNFEED HANDWHEEL HUB	69	P0794069	PHLP HD SCR M6-1 X 10
26	P0794026	DOWNFEED HANDLE M12-1.75 MALE	70	P0794070	PHLP HD SCR M5-.8 X 10
27	P0794027	DOWNFEED KNOB M12-1.75 FEMALE	71	P0794071	FLAT WASHER 5MM
28	P0794028	LOCK WASHER 12MM	72	P0794072	PULLEY COVER KNOB M5-.8
29	P0794029	KNOB BOLT M8-1.25 X 22	73	P0794073	PULLEY COVER
30	P0794030	SET SCREW M10-1.5 X 12	74	P0794074	V-BELT M25
32	P0794032	EXT RETAINING RING 16MM	75	P0794075	PULLEY NUT
33	P0794033	BELT TENSION LEVER	76	P0794076	SPINDLE PULLEY
34	P0794034	KNOB BOLT M10-1.5 X 25	77	P0794077	PULLEY SHAFT
35	P0794035	HEX BOLT M8-1.25 X 30	78	P0794078	INT RETAINING RING 52MM
36	P0794036	FLAT WASHER 8MM	79	P0794079	BALL BEARING 6205ZZ
37	P0794037	HEX NUT M8-1.25	80	P0794080	SPACER
38	P0794038	HEX NUT M10-1.5	81	P0794081	BALL BEARING 6205ZZ
39	P0794039	SET SCREW M10-1.5 X 30	82	P0794082	INT RETAINING RING 25MM
40	P0794040	HEX NUT M12-1.5	83	P0794083	ROUND NUT M17-1
41	P0794041	HEX NUT M12-1.5	84	P0794084	TAB WASHER
42	P0794042	RETURN SPRING COVER	85	P0794085	BALL BEARING 6203ZZ
43	P0794043	COILED RETURN SPRING	86	P0794086	RUBBER WASHER 62 X 50 X 2
44	P0794044	RETURN SPRING PLATE	87	P0794087	QUILL
45	P0794045	SWITCH/DRO HOUSING	88	P0794088	BALL BEARING 6205ZZ
46	P0794046	PHLP HD SCR M5-.8 X 14	89	P0794089	SPINDLE
48	P0794048	PHLP HD SCR M5-.8 X 10	90	P0794090	DRILL CHUCK ARBOR MT2/JT33
49	P0794049	CORD CLAMP	91	P0794091	DRILL CHUCK 5/8" X JT33 W/KEY
50	P0794050	HEADSTOCK CASTING	92	P0794092	CHUCK KEY 5/16" TH-SE 11T SD-5/8"
51	P0794051	HEX BOLT M8-1.25 X 16	97	P0794097	LASER SWITCH KCD1-101 2/8A 250VAC
52	P0794052	SHIFTER	98	P0794098	GRIZZLY SAFETY PADDLE SWITCH
53	P0794053	MOTOR MOUNT SLIDE BAR (SOLID)	99	P0794099	INT RETAINING RING 35MM
54	P0794054	MOTOR MOUNT SLIDE BAR (GROOVED)	100	P0794100	POWER CORD 18G 3W 73" 5-15P



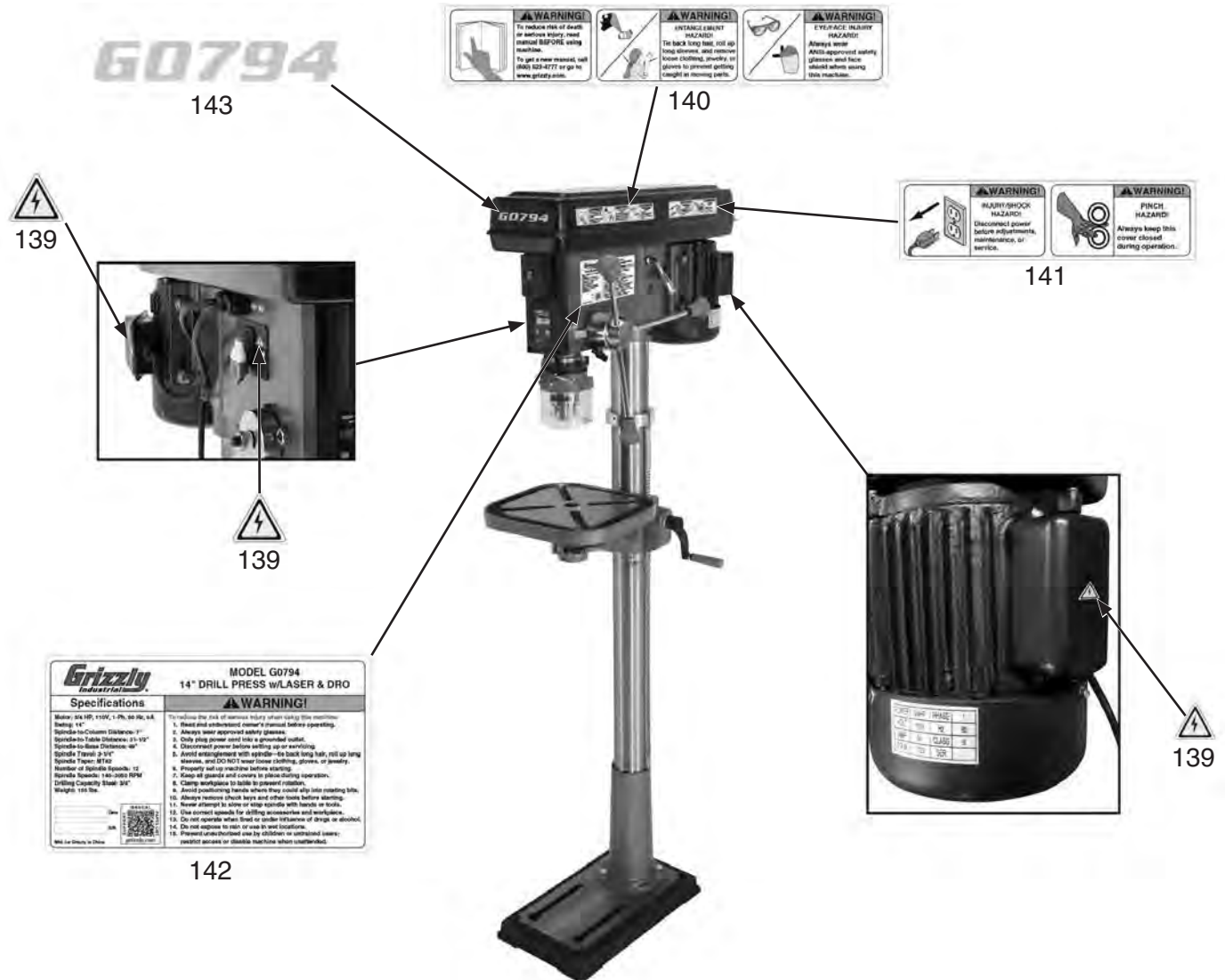
Parts List (Cont.)

REF	PART #	DESCRIPTION
101	P0794101	HEX WRENCH 5MM
102	P0794102	HEX WRENCH 3MM
103	P0794103	DRIFT KEY
104	P0794104	STRAIN RELIEF 1/4"-5/16" ST PLASTIC
105	P0794105	MOTOR CORD 18G 3W 11"
110	P0794110	TABLE BOLT WRENCH
113	P0794113	ANGLE SCALE
115	P0794115	CAP SCREW M8-1.25 X 20
116	P0794116	STRAIN RELIEF 1/4"-5/16" ST PLASTIC
118	P0794118	ANGLE INDICATOR
119	P0794119	MOTOR LABEL
120	P0794120	CRANK LEVER
121	P0794121	CHUCK GUARD ASSEMBLY
122	P0794122	SWITCH PLATE
123	P0794123	PHLP HD SCR M4-.7 X 10
124	P0794124	SWITCH PLATE

REF	PART #	DESCRIPTION
125	P0794125	TAP SCREW M3 X 8
126	P0794126	DIGITAL READOUT ASSEMBLY
127	P0794127	TAP SCREW M4 X 12
128	P0794128	QUILL CLAMP
129	P0794129	SHOULDER SCREW M4-.7 X 15
130	P0794130	CONNECTING PLATE
131	P0794131	HEX NUT M3-.5
132	P0794132	PHLP HD SCR M3-.5 X 10
133	P0794133	LASER LIGHT RETAINING PLATE
134	P0794134	PHLP HD SCR M5-.8 X 8
135	P0794135	LASER TRANSFORMER BRACKET
136	P0794136	PHLP HD SCR M4-.7 X 12
137	P0794137	HEX NUT M4-.7
138	P0794138	LASER LIGHT ASSEMBLY BY-11-1
144	P0794144	WASHER 6MM RUBBER



Labels & Cosmetics



REF	PART #	DESCRIPTION
139	P0794139	ELECTRICITY LABEL
140	P0794140	READ/ENTANGLE/GLASSES LABEL
141	P0794141	POWER/PINCH HAZARD LABEL

REF	PART #	DESCRIPTION
142	P0794142	MACHINE ID LABEL
143	P0794143	MODEL NUMBER LABEL

! WARNING

Safety labels help reduce the risk of serious injury caused by machine hazards. If any label comes off or becomes unreadable, the owner of this machine **MUST** replace it in the original location before resuming operations. For replacements, contact (800) 523-4777 or www.grizzly.com.

