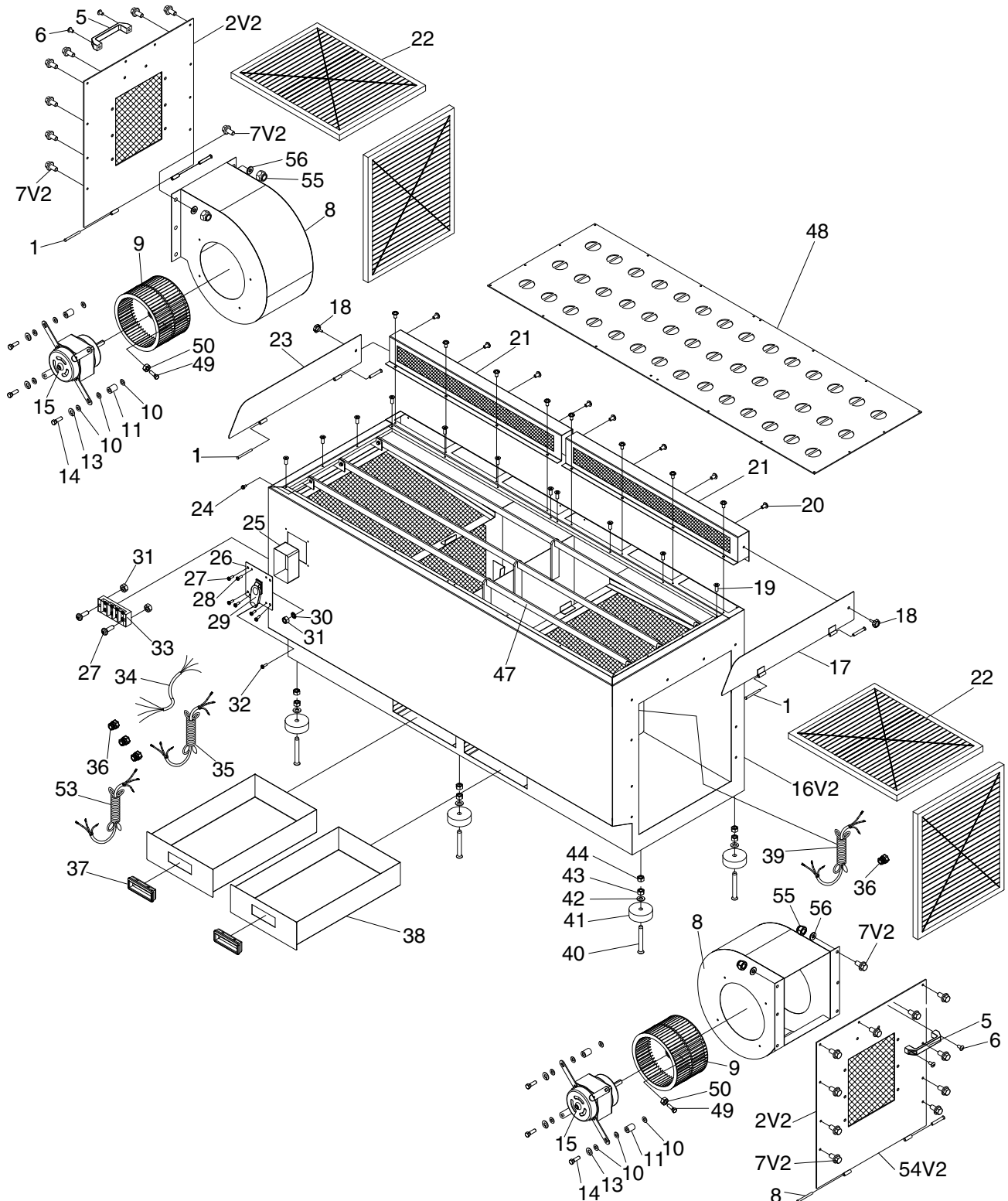


SECTION 9: PARTS

We do our best to stock replacement parts when possible, but we cannot guarantee that all parts shown are available for purchase. Call (800) 523-4777 or visit www.grizzly.com/parts to check for availability.

Breakdown



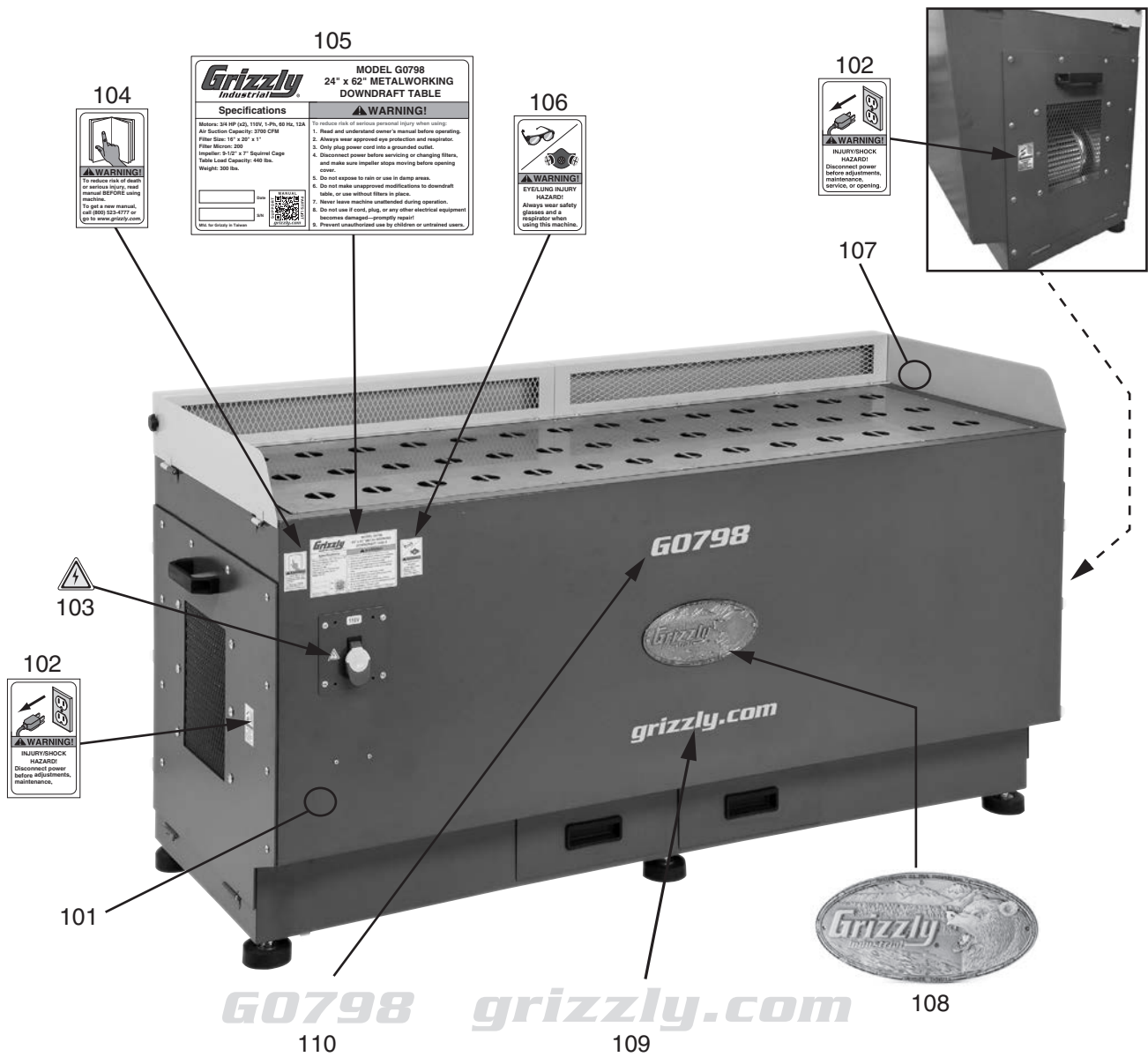
Parts List

REF	PART #	DESCRIPTION
1	P0798001	HINGE PIN 6 X 66MM
2V2	P0798002V2	LEFT OUTLET COVER V2.11.16
5	P0798005	COVER HANDLE
6	P0798006	PHLP HD SCR 1/4-20 X 5/8
7V2	P0798007V2	FLANGE BOLT 5/16-18 X 3/4 V2.04.17
8	P0798008	BLOWER HOUSING
9	P0798009	IMPELLER
10	P0798010	FLAT WASHER 1/4
11	P0798011	SPACER
13	P0798013	LOCK WASHER 1/4
14	P0798014	HEX BOLT 1/4-20 X 3/4
15	P0798015	MOTOR 3/4HP 110V 1-PH
16V2	P0798016V2	MAIN HOUSING V2.11.16
17	P0798017	RIGHT PANEL
18	P0798018	STAR KNOB 1/4 X 3/8
19	P0798019	PHLP HD SCR 10-24 X 3/8
20	P0798020	FLANGE SCREW 10-24 X 3/8
21	P0798021	CENTER SUCTION PANEL
22	P0798022	FILTER 20" X 16" X 1" 200-MICRON
23	P0798023	LEFT PANEL
24	P0798024	FLANGE BOLT 5/16-18 X 1/2
25	P0798025	SWITCH BOX
26	P0798026	SWITCH PLATE
27	P0798027	FLANGE SCREW 10-24 X 1/2
28	P0798028	TAP SCREW M4 X 16

REF	PART #	DESCRIPTION
29	P0798029	SAFETY PADDLE SWITCH W/KEY
30	P0798030	EXT TOOTH WASHER 4MM
31	P0798031	HEX NUT #10-24
32	P0798032	PHLP HD SCR 10-24 X 1/2
33	P0798033	TERMINAL BAR 4P
34	P0798034	SWITCH BOX CORD 16G 3W 12"
35	P0798035	POWER CORD 14G 3W 72" 5-15P
36	P0798036	STRAIN RELIEF M16-1.5 TYPE 3
37	P0798037	DRAWER HANDLE
38	P0798038	DRAWER
39	P0798039	MOTOR CORD 16G 3W 100" (RIGHT)
40	P0798040	CAP SCREW 1/2-13 X 4
41	P0798041	RUBBER FOOT PAD
42	P0798042	FENDER WASHER 1/2
43	P0798043	LOCK NUT 1/2-13
44	P0798044	HEX NUT 1/2-13
47	P0798047	SUPPORT BAR
48	P0798048	TOP SUCTION PLATE
49	P0798049	PHLP HD SCR M6-1 X 12
50	P0798050	HEX NUT M6-1
53	P0798053	MOTOR CORD 16G 3W 16" (LEFT)
54V2	P0798054V2	RIGHT OUTLET COVER V2.11.16
55	P0798055	LOCK NUT 5/16-18
56	P0798056	FLAT WASHER 5/16



Labels & Cosmetics



REF	PART #	DESCRIPTION
101	P0798101	TOUCH-UP PAINT GRIZZLY GREEN
102	P0798102	INJURY/SHOCK HAZARD LABEL
103	P0798103	ELECTRICITY LABEL
104	P0798104	READ MANUAL LABEL
105	P0798105	MACHINE ID LABEL

REF	PART #	DESCRIPTION
106	P0798106	GLASSES/RESPIRATOR LABEL
107	P0798107	TOUCH-UP PAINT PUTTY
108	P0798108	GRIZZLY NAMEPLATE-LARGE
109	P0798109	GRIZZLY.COM LABEL
110	P0798110	MODEL NUMBER LABEL

⚠️ WARNING

Safety labels help reduce the risk of serious injury caused by machine hazards. If any label comes off or becomes unreadable, the owner of this machine **MUST** replace it in the original location before resuming operations. For replacements, contact (800) 523-4777 or www.grizzly.com.

