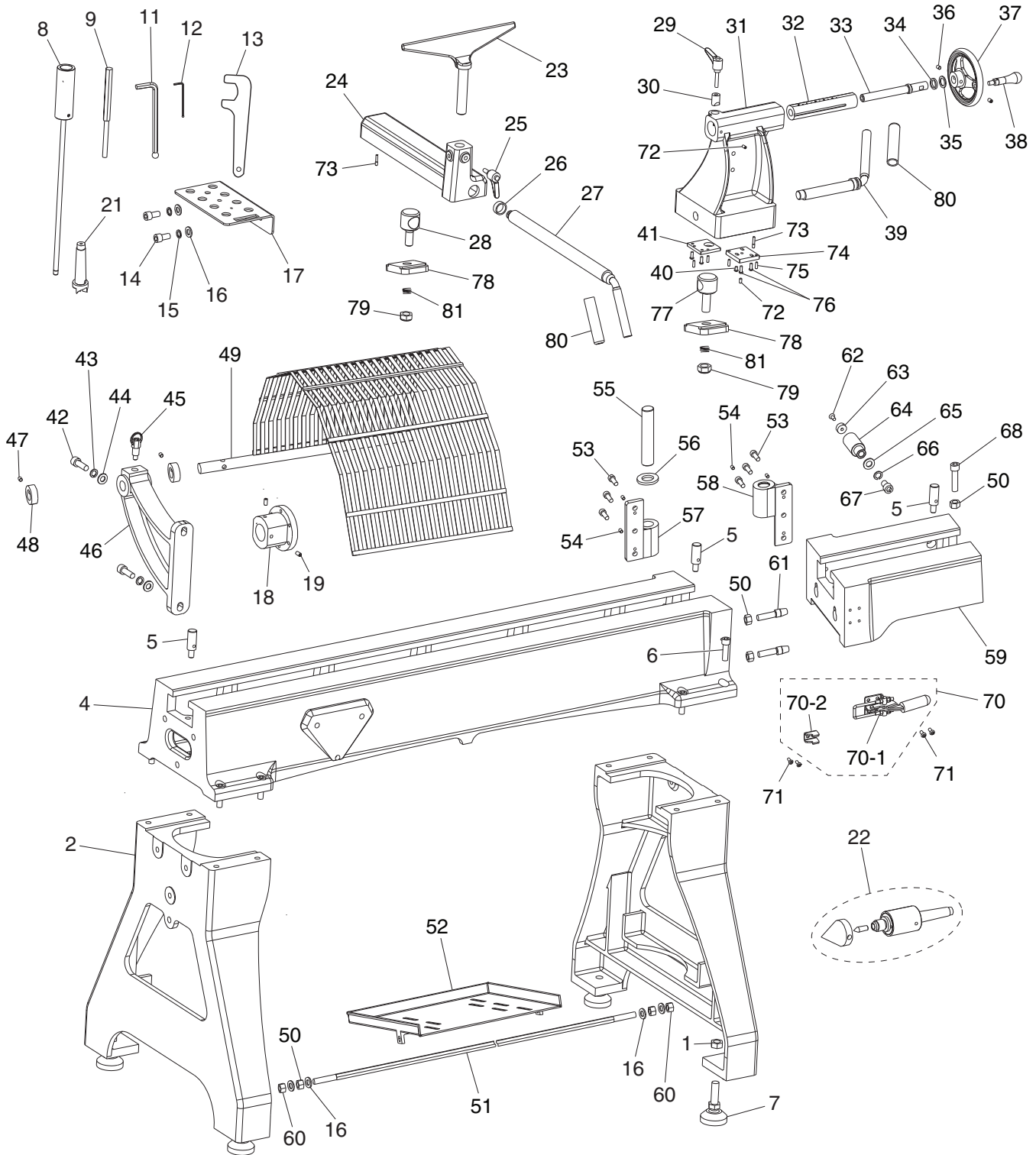


SECTION 9: PARTS

We do our best to stock replacement parts when possible, but we cannot guarantee that all parts shown are available for purchase. Call (800) 523-4777 or visit www.grizzly.com/parts to check for availability.

Main



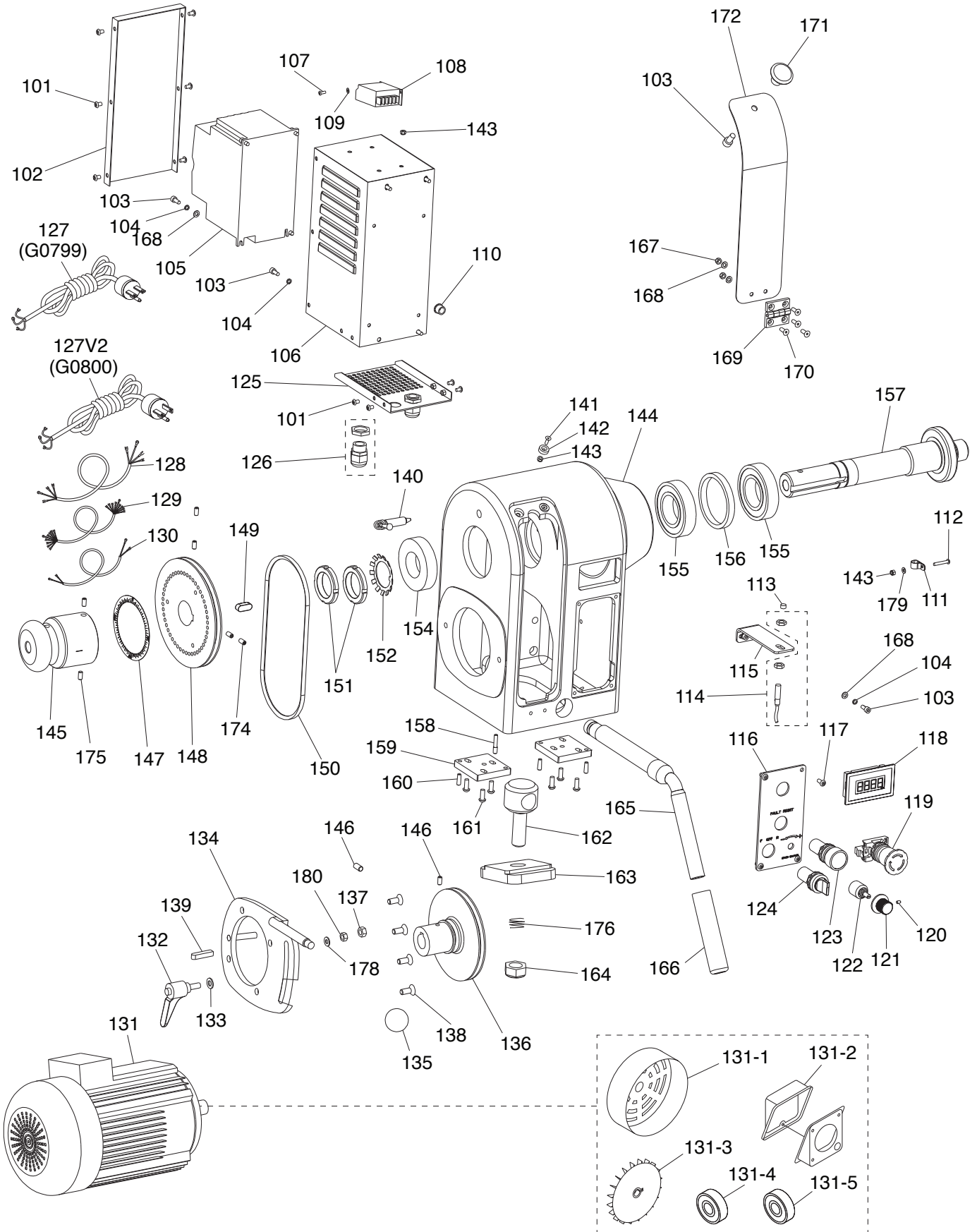
Main Parts List

REF PART #	DESCRIPTION	
1	P0799001	HEX NUT M16-2
2	P0799002	STAND
4	P0799004	BED
5	P0799005	BED STOP M12-1.75 X 20, 66L
6	P0799006	CAP SCREW M12-1.75 X 35
7	P0799007	LEVELING FOOT M16-2 X 65
8	P0799008	KNOCKOUT ROD
9	P0799009	LOCATING ROD
11	P0799011	HEX WRENCH 10MM
12	P0799012	HEX WRENCH 3MM
13	P0799013	WRENCH 50MM OPEN-END
14	P0799014	CAP SCREW M12-1.75 X 20
15	P0799015	LOCK WASHER 12MM
16	P0799016	FLAT WASHER 12MM
17	P0799017	TOOL HOLDER
18	P0799018	FACEPLATE 3"
19	P0799019	SET SCREW M6-1 X 10
21	P0799021	SPUR CENTER MT#2
22	P0799022	LIVE CENTER MT#2
23	P0799023	TOOL REST
24	P0799024	TOOL REST BASE
25	P0799025	ADJUSTABLE HANDLE 80L, M10-1.5 X 25
26	P0799026	BRASS SLEEVE
27	P0799027	TOOL REST LOCK HANDLE
28	P0799028	TOOL REST CLAMP BOLT
29	P0799029	ADJUSTABLE HANDLE 80L, M10-1.5 X 45
30	P0799030	LOCK SLEEVE
31	P0799031	TAILSTOCK (G0799)
31	P0800031	TAILSTOCK (G0800)
32	P0799032	TAILSTOCK QUILL
33	P0799033	LEADSCREW
34	P0799034	SPACER
35	P0799035	PLASTIC WASHER 20 X 31 X 2.5MM
36	P0799036	SET SCREW M8-1.25 X 10
37	P0799037	HANDWHEEL TYPE-3 150D X 20B X M10-1.5
38	P0799038	REVOLVING HANDLE M10-1.5, 28 X 81
39	P0799039	TAILSTOCK LOCK HANDLE
40	P0799040	BUTTON HD CAP SCR M6-1 X 12
41	P0799041	TAILSTOCK MOUNTING BLOCK
42	P0799042	CAP SCREW M10-1.5 X 30
43	P0799043	LOCK WASHER 10MM

REF PART #	DESCRIPTION	
44	P0799044	FLAT WASHER 10MM
45	P0799045	SPRING PIN BOLT M12-1.75 X 18, 8 X 8
46	P0799046	CHUCK GUARD MOUNTING ARM (G0799)
46	P0800046	CHUCK GUARD MOUNTING ARM (G0800)
47	P0799047	SET SCREW M6-1 X 8
48	P0799048	CHUCK GUARD LOCK COLLAR
49	P0799049	CHUCK GUARD (G0799)
49	P0800049	CHUCK GUARD (G0800)
50	P0799050	HEX NUT M12-1.75
51	P0799051	CHISEL PAN MOUNTING ROD
52	P0799052	CHISEL PAN
53	P0799053	CAP SCREW M8-1.25 X 25
54	P0799054	SET SCREW M6-1 X 10
55	P0799055	SWING-AWAY HINGE PIN
56	P0799056	SPACER (BRASS)
57	P0799057	SWING-AWAY HINGE (LOWER)
58	P0799058	SWING-AWAY HINGE (UPPER)
59	P0799059	SWING-AWAY BED EXTENSION
60	P0799060	LOCK NUT M12-1.75
61	P0799061	ECCENTRIC BOLT M12-1.75 X 35
62	P0799062	CAP SCREW M6-1 X 16
63	P0799063	MAGNET 6 X 20 X 10
64	P0799064	SWING-AWAY BED STOP SHAFT
65	P0799065	FLAT WASHER 12MM
66	P0799066	LOCK WASHER 12MM
67	P0799067	CAP SCREW M12-1.75 X 20
68	P0799068	CAP SCREW M12-1.75 X 40
70	P0799070	TOGGLE CLAMP ASSEMBLY
70-1	P0799070-1	TOGGLE CLAMP LATCH
70-2	P0799070-2	TOGGLE CLAMP LATCH PLATE
71	P0799071	BUTTON HD CAP SCR M6-1 X 12
72	P0799072	SET SCREW M6-1 X 10
73	P0799073	POSITIONING PIN M6-1 X 12, 30L
74	P0799074	MOUNTING BLOCK
75	P0799075	TAPER PIN 6 X 20
76	P0799076	BUTTON HD CAP SCR M6-1 X 16
77	P0799077	CLAMP BOLT
78	P0799078	CLAMP BLOCK
79	P0799079	LOCK NUT M20-2.5
80	P0799080	HANDLE GRIP 22ID X 120L X 3T (RUBBER)
81	P0799081	COMPRESSION SPRING 1.4 X 25.8 X 12



Headstock



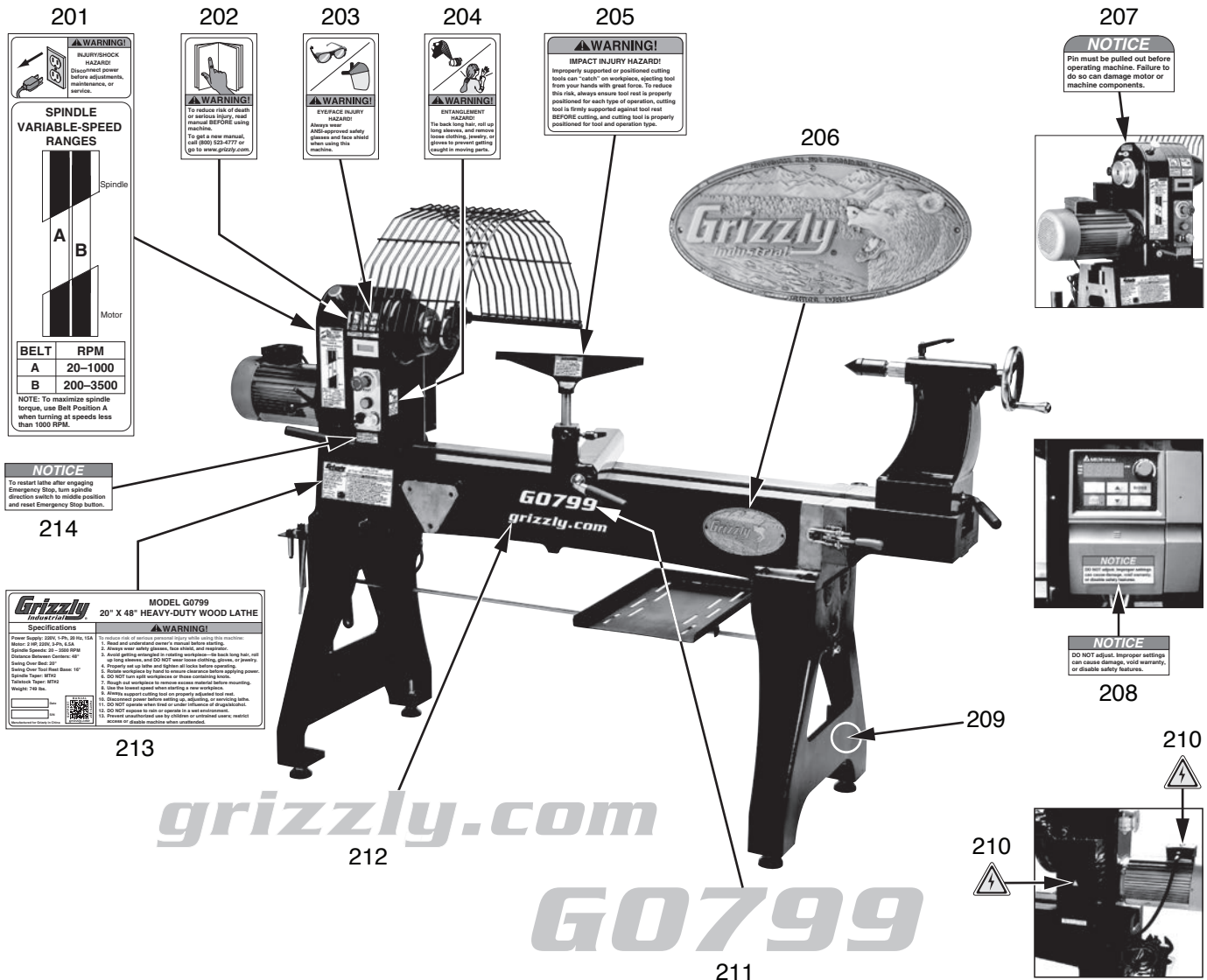
Headstock Parts List

REF	PART #	DESCRIPTION
101	P0799101	BUTTON HD CAP SCR M5-.8 X 8
102	P0799102	INVERTER BOX COVER
103	P0799103	CAP SCREW M5-.8 X 12
104	P0799104	LOCK WASHER 5MM
105	P0799105	INVERTER DELTA VFD-EL 240V (G0799)
105	P0800105	INVERTER DELTA VFD-EL 240V (G0800)
106	P0799106	INVERTER BOX
107	P0799107	CAP SCREW M3-.5 X 5
108	P0799108	DRO POWER SUPPLY 5VDC
109	P0799109	FLAT WASHER 3MM
110	P0799110	PLASTIC GROMMET 15MM
111	P0799111	CABLE CLAMP 3/8"
112	P0799112	BUTTON HD CAP SCR M4-.7 X 25
113	P0799113	MAGNET 8 X 5
114	P0799114	DRO SENSOR
115	P0799115	SENSOR BRACKET
116	P0799116	CONTROL PANEL PLATE
117	P0799117	BUTTON HD CAP SCR M5-.8 X 12
118	P0799118	DIGITAL READOUT, RPM
119	P0799119	E-STOP BUTTON ABB MCB-10 22MM
120	P0799120	SET SCREW M4-.7 X 6
121	P0799121	SPEED CONTROL KNOB
122	P0799122	POTENTIOMETER TAYEE LA42DWQ 22MM
123	P0799123	RESET BUTTON ABB CP1-10L-10 22MM
124	P0799124	ROTARY SWITCH ABB C3SS1-10B-20 22MM
125	P0799125	INVERTER BOX BOTTOM
126	P0799126	STRAIN RELIEF PG13.5 TYPE-3
127	P0799127	POWER CORD 12G 3W 72" 6-15P (G0799)
127V2	P0800127V2	POWER CORD 12G 3W 72" 6-20P V2.11.17 (G0800)
128	P0799128	MOTOR CORD 12G 4W 18"
129	P0799129	CONTROL PANEL CORD 9W 21G 18"
130	P0799130	DRO CORD 18G 2W 18"
131	P0799131	MOTOR 2HP 220V 3-PH (G0799)
131	P0800131	MOTOR 3HP 220V 3-PH (G0800)
131-1	P0799131-1	MOTOR FAN COVER
131-2	P0799131-2	MOTOR JUNCTION BOX
131-3	P0799131-3	MOTOR FAN
131-4	P0799131-4	BALL BEARING 6205ZZ (FRONT)
131-5	P0799131-5	BALL BEARING 6203ZZ (REAR)
132	P0799132	ADJUSTABLE HANDLE M10-1.5 X 20
133	P0799133	FLAT WASHER 10MM
134	P0799134	MOTOR MOUNT PLATE
135	P0799135	ROUND KNOB M10-1.5, 32 OD (PLASTIC)
136	P0799136	MOTOR PULLEY

REF	PART #	DESCRIPTION
137	P0799137	LOCK NUT M8-1.25
138	P0799138	FLAT HD CAP SCR M8-1.25 X 20
139	P0799139	KEY 8 X 7 X 40
140	P0799140	SPINDLE LOCK PIN
141	P0799141	FLAT HD CAP SCR M4-.7 X 12
142	P0799142	MAGNET 4 X 15 X 5
143	P0799143	LOCK NUT M4-.7
144	P0799144	HEADSTOCK CASTING (G0799)
144	P0800144	HEADSTOCK CASTING (G0800)
145	P0799145	SPINDLE HANDWHEEL
146	P0799146	SET SCREW M6-1 X 12
147	P0799147	DEGREE SCALE
148	P0799148	SPINDLE PULLEY
149	P0799149	KEY 10 X 10 X 25
150	P0799150	MOTOR BELT 7M650 (G0799)
150	P0800150	MOTOR BELT 7M750 (G0800)
151	P0799151	SPANNER NUT M40-1.5
152	P0799152	TABBED WASHER 40MM
154	P0799154	BALL BEARING 6208-2RS
155	P0799155	BALL BEARING 6209-2RS
156	P0799156	SPACER
157	P0799157	SPINDLE MT#2
158	P0799158	POSITIONING PIN M6-1 X 12, 30L
159	P0799159	MOUNTING BLOCK
160	P0799160	TAPER PIN 6 X 20
161	P0799161	BUTTON HD CAP SCR M6-1 X 16
162	P0799162	CLAMP BOLT
163	P0799163	CLAMP BLOCK
164	P0799164	LOCK NUT M20-2.5
165	P0799165	HEADSTOCK LOCK HANDLE 22 X 135
166	P0799166	HANDLE GRIP 22ID X 120L X 3T (RUBBER)
167	P0799167	LOCK NUT M5-.8
168	P0799168	FLAT WASHER 5MM
169	P0799169	HINGE
170	P0799170	FLAT HD CAP SCR M5-.8 X 16
171	P0799171	KNOB M8-1.25, 36 OD X 26L
172	P0799172	BELT COVER (G0799)
172	P0800172	BELT COVER (G0800)
174	P0799174	SET SCREW M6-1 X 6
175	P0799175	SET SCREW M8-1.25 X 20 DOG-PT
176	P0799176	COMPRESSION SPRING 1.4 X 25.8 X 12
178	P0799178	FLAT WASHER 8MM
179	P0799179	FLAT WASHER 4MM
180	P0799180	HEX NUT M8-1.25



Labels



REF	PART #	DESCRIPTION
201	P0799201	SPINDLE SPEED RANGE LABEL
202	P0799202	READ MANUAL LABEL
203	P0799203	EYE/FACE INJURY HAZARD LABEL
204	P0799204	ENTANGLEMENT HAZARD LABEL
205	P0799205	IMPACT INJURY HAZARD LABEL
206	P0799206	GRIZZLY NAMEPLATE
207	P0799207	SPINDLE PIN NOTICE
208	P0799208	DO NOT ADJUST VFD NOTICE

REF	PART #	DESCRIPTION
209	P0799209	TOUCH-UP PAINT, GLOSSY BLACK
210	P0799210	ELECTRICITY LABEL
211	P0799211	MODEL NUMBER LABEL (G0799)
211	P0800211	MODEL NUMBER LABEL (G0800)
212	P0799212	GRIZZLY.COM LABEL
213	P0799213	MACHINE ID LABEL (G0799)
213	P0800213	MACHINE ID LABEL (G0800)
214	P0799214	RESTART LATHE NOTICE

WARNING

Safety labels help reduce the risk of serious injury caused by machine hazards. If any label comes off or becomes unreadable, the owner of this machine **MUST** replace it in the original location before resuming operations. For replacements, contact (800) 523-4777 or www.grizzly.com.

