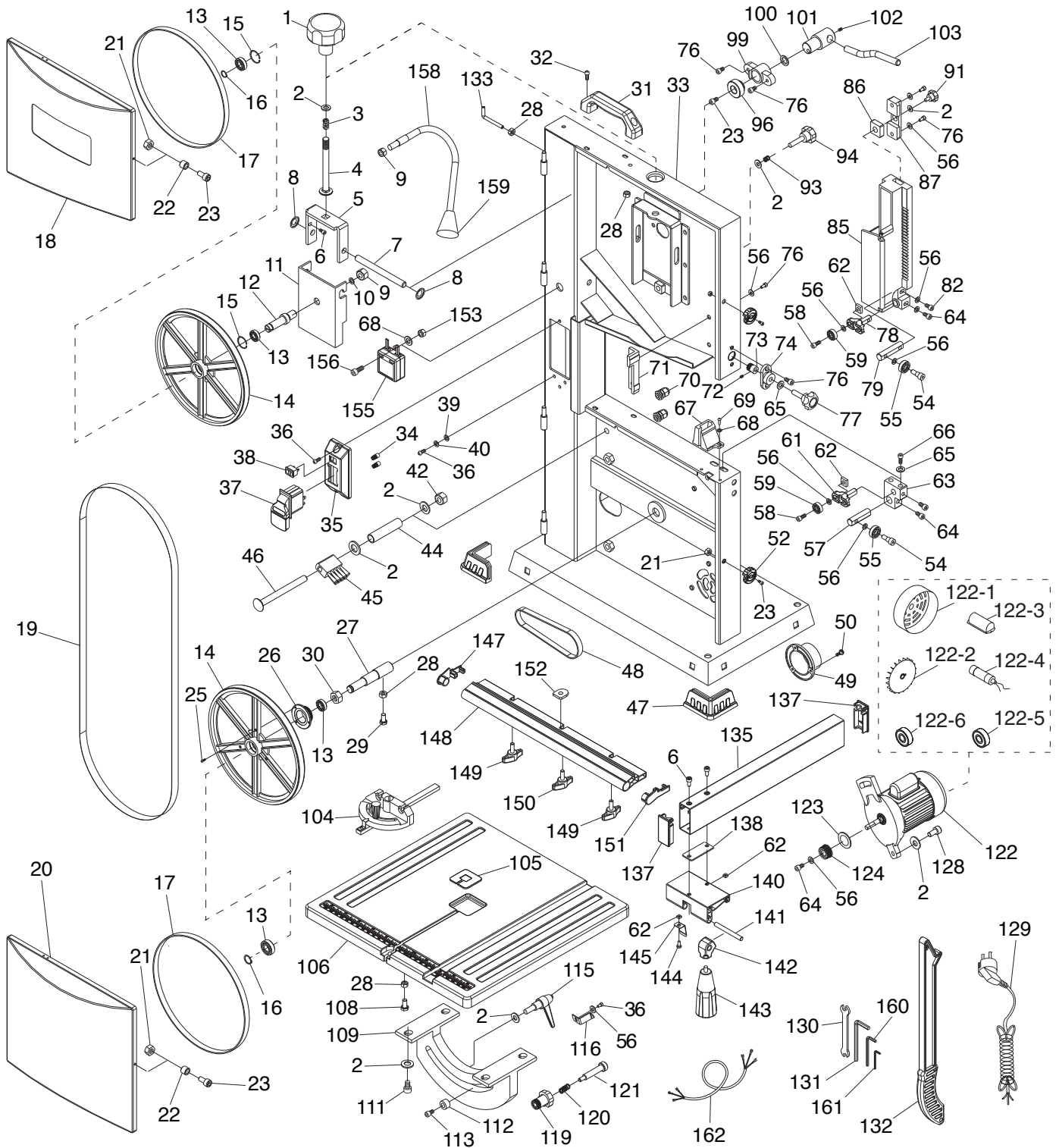


# SECTION 9: PARTS

We do our best to stock replacement parts when possible, but we cannot guarantee that all parts shown are available for purchase. Call (800) 523-4777 or visit [www.grizzly.com/parts](http://www.grizzly.com/parts) to check for availability.

## Main



# Main Parts List

REF PART #	DESCRIPTION	REF PART #	DESCRIPTION		
1	P0803001	KNOB M8-1.25 X 25, DIA 50, 5-LOBE	45	P0803045	WHEEL BRUSH
2	P0803002	FLAT WASHER 8MM	46	P0803046	CARRIAGE BOLT M8-1.25 X 65
3	P0803003	COMPRESSION SPRING 2.5 X 14 X 64	47	P0803047	RUBBER FOOT
4	P0803004	CARRIAGE BOLT M8-1.25 X 80	48	P0803048	TIMING BELT 130L036
5	P0803005	WHEEL ADJUSTMENT BRACKET	49	P0803049	DUST PORT 2"
6	P0803006	CAP SCREW M5-.8 X 8	50	P0803050	PHLP HD SCR M5-.8 X 8
7	P0803007	QUICK-RELEASE PIVOT SHAFT 8 X 90	52	P0803052	DOOR LOCK CAM KNOB
8	P0803008	EXT RETAINING RING 8MM SELF-LOCKING	54	P0803054	BEARING RETAINER SCREW M5-.8 X 15
9	P0803009	HEX NUT M10-1.5	55	P0803055	BALL BEARING 606ZZ
10	P0803010	LOCK WASHER 10MM	56	P0803056	FLAT WASHER 5MM
11	P0803011	WHEEL MOUNT PLATE	57	P0803057	LOWER GUIDE ROD
12	P0803012	WHEEL SHAFT (UPPER)	58	P0803058	CAP SCREW M5-.8 X 14
13	P0803013	BALL BEARING 6000ZZ	59	P0803059	BALL BEARING 605ZZ
14	P0803014	WHEEL 9"	61	P0803061	LOWER GUIDE
15	P0803015	INT RETAINING RING 26MM	62	P0803062	SQUARE NUT M5-.8
16	P0803016	EXT RETAINING RING 10MM	63	P0803063	LOWER GUIDE BLOCK
17	P0803017	TIRE 9"	64	P0803064	CAP SCREW M5-.8 X 12
18	P0803018	WHEEL COVER (UPPER)	65	P0803065	FLAT WASHER 6MM
19	P0803019	BLADE 62" X 3/8" X 0.025" 10 TPI RAKER	66	P0803066	CAP SCREW M6-1 X 10
20	P0803020	WHEEL COVER (LOWER)	67	P0803067	LOWER BLADE COVER
21	P0803021	LOCK NUT M6-1	68	P0803068	FLAT WASHER 4MM
22	P0803022	BUSHING	69	P0803069	PHLP HD SCR M4-.7 X 10
23	P0803023	CAP SCREW M6-1 X 16	70	P0803070	STRAIN RELIEF M16-2 TYPE-3
25	P0803025	TAP SCREW M5 X 14	71	P0803071	GUIDE PLATE
26	P0803026	WHEEL PULLEY	72	P0803072	SET SCREW M4-.7 X 6
27	P0803027	WHEEL SHAFT (LOWER)	73	P0803073	PINION
28	P0803028	HEX NUT M6-1	74	P0803074	ADJUSTMENT KNOB SEAT
29	P0803029	HEX BOLT M6-1 X 16	76	P0803076	CAP SCREW M5-.8 X 10
30	P0803030	LOCK NUT M12-1.75	77	P0803077	KNOB W/SHAFT 6 X 22, DIA 32, 6-LOBE
31	P0803031	LIFTING HANDLE	78	P0803078	UPPER GUIDE
32	P0803032	PHLP HD SCR M6-1 X 10	79	P0803079	UPPER GUIDE ROD
33	P0803033	FRAME	82	P0803082	CAP SCREW M5-.8 X 16
34	P0803034	WIRE CONNECTOR	85	P0803085	UPPER BLADE COVER ASSEMBLY
35	P0803035	SWITCH MOUNTING PLATE	86	P0803086	SQUARE NUT M8-1.25
36	P0803036	PHLP HD SCR M5-.8 X 10	87	P0803087	UPPER GUIDE BLOCK
37	P0803037	PADDLE SWITCH W/KEY GRIZZLY G8988	91	P0803091	KNOB BOLT M8-1.25 X 14, DIA 32, 6-LOBE
38	P0803038	ROCKER SWITCH GORBO XCK-017 10(4) A	93	P0803093	COMPRESSION SPRING 1 X 13 X 18
39	P0803039	LOCK WASHER 5MM	94	P0803094	KNOB BOLT M8-1.25 X 35, DIA 32, 6-LOBE
40	P0803040	EXT TOOTH WASHER 5MM	96	P0803096	RELEASE WHEEL
42	P0803042	HEX NUT M8-1.25	99	P0803099	QUICK-RELEASE MOUNT BRACKET
44	P0803044	SPACER	100	P0803100	WAVY WASHER 19MM

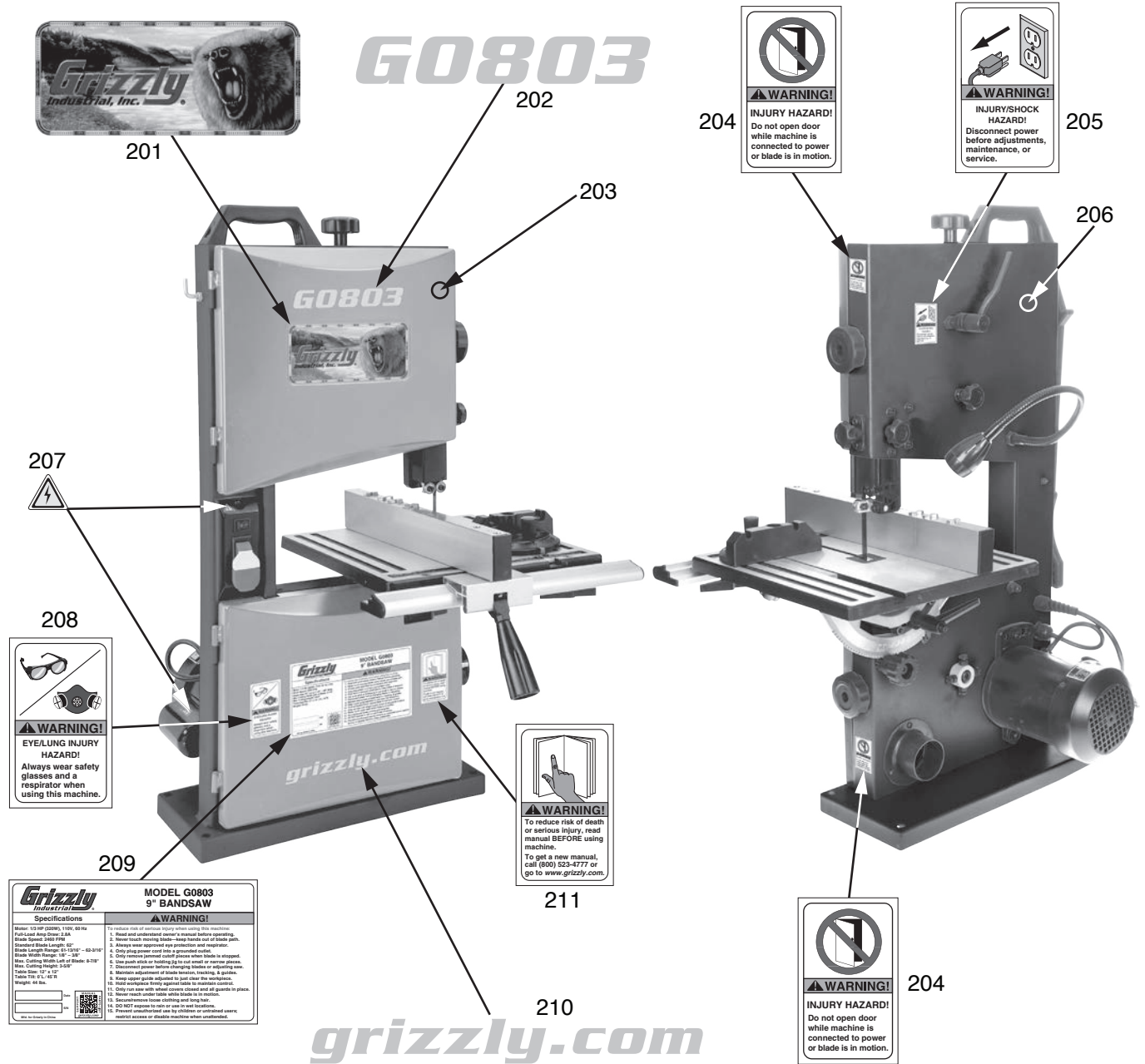


# Main Parts List (Continued)

REF	PART #	DESCRIPTION	REF	PART #	DESCRIPTION
101	P0803101	QUICK-RELEASE LEVER HUB	130	P0803130	WRENCH 8 X 10MM OPEN-ENDS
102	P0803102	SET SCREW M5-.8 X 6	131	P0803131	HEX WRENCH 6MM
103	P0803103	QUICK-RELEASE LEVER 8 X 95	132	P0803132	PUSH STICK
104	P0803104	MITER GAUGE ASSEMBLY	133	P0803133	STORAGE HOOK M6-1
105	P0803105	TABLE INSERT	135	P0803135	FENCE BODY
106	P0803106	TABLE	137	P0803137	END CAP 25 X 52
108	P0803108	HEX BOLT M6-1 X 22	138	P0803138	SPACER PLATE
109	P0803109	BEVEL CASTING	140	P0803140	FENCE BASE
111	P0803111	CAP SCREW M8-1.25 X 14	141	P0803141	SHAFT 8 X 77
112	P0803112	GUIDE BUSHING	142	P0803142	FENCE HANDLE LOCKING CAM
113	P0803113	CAP SCREW M6-1 X 12	143	P0803143	FENCE HANDLE M6-1 X 10
115	P0803115	ADJUSTABLE HANDLE M8-1.25 X 25	144	P0803144	PHLP HD SCR M5-.8 X 6
116	P0803116	BEVEL INDICATOR	145	P0803145	SPRING PLATE
119	P0803119	GEARED KNOB 12T, 12L X 40D	147	P0803147	GUIDE RAIL CAP (LEFT)
120	P0803120	COMPRESSION SPRING 0.7 X 9.8 X 25	148	P0803148	GUIDE RAIL
121	P0803121	SHOULDER SCREW M5-.8 X 10, 8 X 39	149	P0803149	FENCE RAIL KNOB M6-1 X 16
122	P0803122	MOTOR 1/3 HP 120V 1-PH	150	P0803150	FENCE RAIL KNOB M6-1 X 24
122-1	P0803122-1	MOTOR FAN COVER	151	P0803151	GUIDE RAIL CAP (RIGHT)
122-2	P0803122-2	MOTOR FAN	152	P0803152	"D" NUT M6-1
122-3	P0803122-3	CAPACITOR COVER	153	P0803153	HEX NUT M4-.7
122-4	P0803122-4	R CAPACITOR 30M 250V 1-1/2 X 2	155	P0803155	LED DRIVER HOPESTAR LED-5V700 120V 5.5W
122-5	P0803122-5	BALL BEARING 6201ZZ (REAR)	156	P0803156	CAP SCREW M4-.7 X 12
122-6	P0803122-6	BALL BEARING 6202ZZ (FRONT)	158	P0803158	WORK LAMP ASSEMBLY
123	P0803123	GASKET	159	P0803159	BULB LED 5.5W 2V PUSH-IN
124	P0803124	MOTOR PULLEY	160	P0803160	HEX WRENCH 4MM
128	P0803128	CAP SCREW M8-1.25 X 25	161	P0803161	HEX WRENCH 2.5MM
129	P0803129	POWER CORD 18G 3W 72" 5-15P	162	P0803162	MOTOR CORD 18G 3W 12"



# Labels



REF	PART #	DESCRIPTION
201	P0803201	GRIZZLY INDUSTRIAL LOGO LABEL
202	P0803202	MODEL NUMBER LABEL
203	P0803203	GRIZZLY GREEN TOUCH-UP PAINT
204	P0803204	DO NOT OPEN DOOR LABEL
205	P0803205	DISCONNECT POWER LABEL
206	P0803206	GRIZZLY BLACK TOUCH-UP PAINT

REF	PART #	DESCRIPTION
207	P0803207	ELECTRICITY LABEL
208	P0803208	EYE/LUNG INJURY HAZARD LABEL
209	P0803209	MACHINE ID LABEL
210	P0803210	GRIZZLY.COM LABEL
211	P0803211	READ MANUAL LABEL

**⚠ WARNING**

Safety labels help reduce the risk of serious injury caused by machine hazards. If any label comes off or becomes unreadable, the owner of this machine **MUST** replace it in the original location before resuming operations. For replacements, contact (800) 523-4777 or [www.grizzly.com](http://www.grizzly.com).

