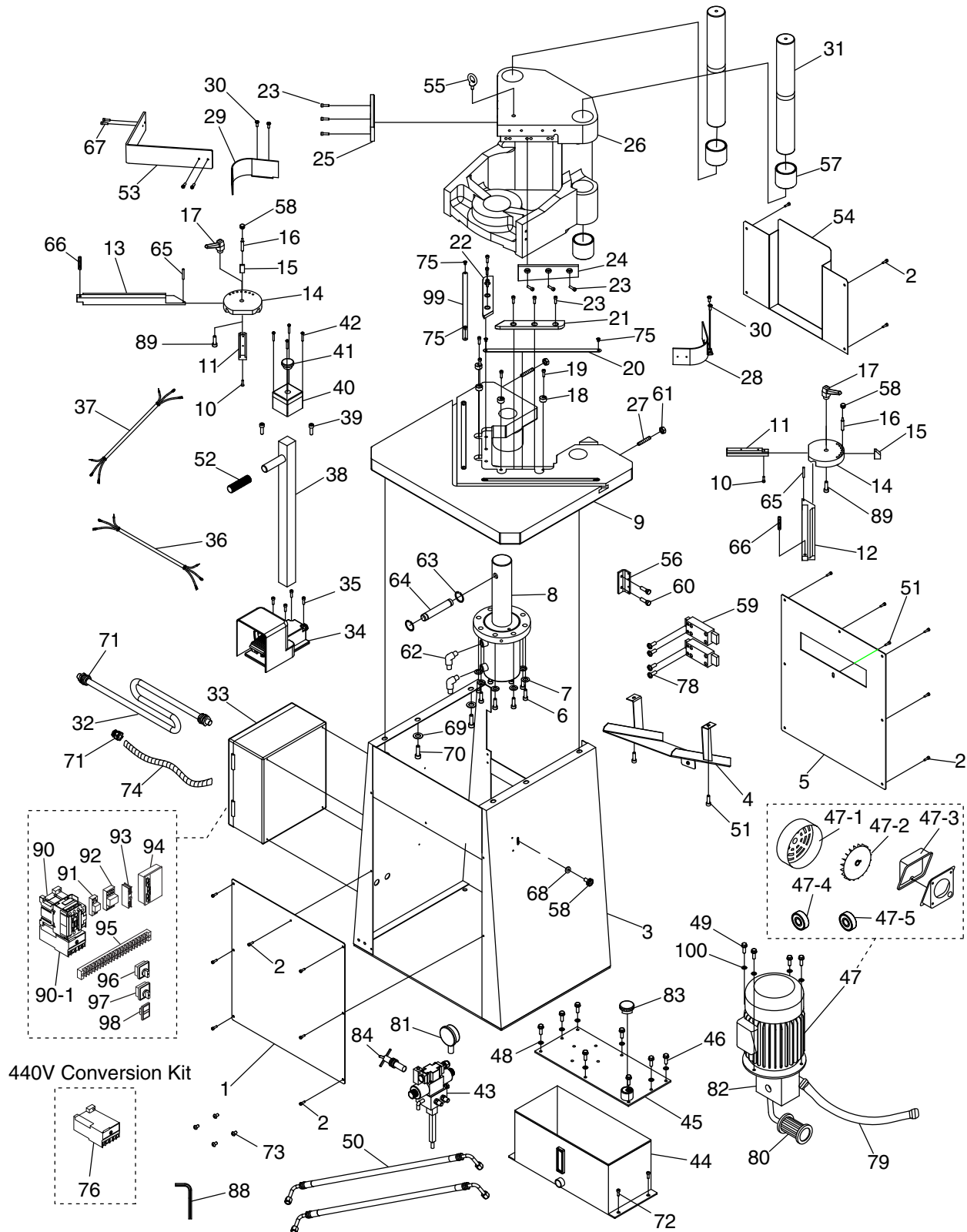


# SECTION 9: PARTS

## Main Parts Diagram



# Main Parts List

REF	PART #	DESCRIPTION
1	P0805001	FRONT COVER
2	P0805002	BUTTON HD CAP SCR M6-1 X 8
3	P0805003	BASE
4	P0805004	NOTCH CHUTE
5	P0805005	REAR COVER
6	P0805006	CAP SCREW M14-2 X 50
7	P0805007	FLAT WASHER 14MM
8	P0805008	HYDR CYLINDER LIAN HER LHC-FA-1412
9	P0805009	TABLE
10	P0805010	CAP SCREW M6-1 X 16
11	P0805011	T-SLOT GUIDE
12	P0805012	FENCE (RIGHT)
13	P0805013	FENCE (LEFT)
14	P0805014	MITER BODY
15	P0805015	BLOCK GUIDE KEY
16	P0805016	SHOULDER PIN M6-1 X 8, 8 X 40
17	P0805017	ADJUSTABLE HANDLE 64L M10-1.5
18	P0805018	ECCENTRIC SPACER
19	P0805019	CAP SCREW M8-1.25 X 16
20	P0805020	CUT SCALE (RIGHT)
21	P0805021	LOWER BLADE (RIGHT)
22	P0805022	LOWER BLADE (LEFT)
23	P0805023	CAP SCREW M10-1.5 X 20
24	P0805024	UPPER BLADE (RIGHT)
25	P0805025	UPPER BLADE (LEFT)
26	P0805026	HEAD CASTING
27	P0805027	SET SCREW M10-1.5 X 30
28	P0805028	CORNER GUARD (RIGHT)
29	P0805029	CORNER GUARD (LEFT)
30	P0805030	BUTTON HD CAP SCR M5-.8 X 10
31	P0805031	MAIN COLUMN
32	P0805032	CONDUIT 30" X 1/2" ID
33	P0805033	CONTROL BOX
34	P0805034	FOOT PEDAL
35	P0805035	PHLP HD SCR M5-.8 X 15
36	P0805036	POWER CORD 14G 4W 72"
37	P0805037	E-STOP CORD 16G 3W 72"
38	P0805038	E-STOP PEDESTAL
39	P0805039	PHLP HD SCR M4-.7 X 8
40	P0805040	EMERGENCY STOP SWITCH BOX
41	P0805041	E-STOP RENEY AC15-DC13 10A 600V
42	P0805042	BUTTON HD CAP SCR M4-.7 X 45
43	P0805043	PUMP ACTUATOR DSG-02-3C60-A2-N AC24
44	P0805044	HYDRAULIC FLUID TANK
45	P0805045	HYDRAULIC FLUID TANK COVER
46	P0805046	HEX BOLT M8-1.25 X 20
47	P0805047	MOTOR 3HP 220V/440V 3-PH
47-1	P0805047-1	MOTOR FAN COVER
47-2	P0805047-2	MOTOR FAN
47-3	P0805047-3	MOTOR JUNCTION BOX
47-4	P0805047-4	BALL BEARING 6206ZZ

REF	PART #	DESCRIPTION
47-5	P0805047-5	BALL BEARING 6203ZZ
48	P0805048	FLAT WASHER 8MM
49	P0805049	HEX BOLT M10-1.5 X 25
50	P0805050	HYDRAULIC TUBE 18"L X 3/4" O.D.
51	P0805051	CAP SCREW M6-1 X 12
52	P0805052	PLASTIC HANDLE
53	P0805053	CLEAR CUTTER GUARD (PLASTIC)
54	P0805054	COVER, REAR HEAD (METAL)
55	P0805055	EYE BOLT 35MM, M16-2 X 26
56	P0805056	SUPPORT PLATE
57	P0805057	COPPER SLEEVE
58	P0805058	KNOB 5-LOBE M6-1
59	P0805059	LIMIT SWITCH TEND TZ-8104
60	P0805060	CAP SCREW M6-1 X 16
61	P0805061	HEX NUT M10-1.5
62	P0805062	STRAIN RELIEF NPT 1/4-3/8 (BRASS)
63	P0805063	EXT RETAINING RING 22MM
64	P0805064	CLEVIS PIN, HEADLESS 24 X 126MM
65	P0805065	ROLL PIN 4 X 14
66	P0805066	SET SCREW M8-1.25 X 20
67	P0805067	BUTTON HD CAP SCR M4-.7 X 10
68	P0805068	FENDER WASHER 6MM
69	P0805069	FLAT WASHER 12MM
70	P0805070	CAP SCREW M12-1.75 X 25
71	P0805071	STRAIN RELIEF TYPE-3 PG26 1/2"
72	P0805072	CAP SCREW M8-1.25 X 10
73	P0805073	BUTTON HD CAP SCR M5-.8 X 10
74	P0805074	CONDUIT 72" X 3/4" ID RIBBED
75	P0805075	FLAT HD SCR M4-.7 X 6
76	P0805076	OL RELAY TEND 5-8A
78	P0805078	PHLP HD SCR M3-.5 X 30
79	P0805079	FLUID RETURN TUBE
80	P0805080	HYDRAULIC FLUID FILTER
81	P0805081	OIL PRESSURE GAUGE
82	P0805082	OIL PUMP
83	P0805083	RESERVOIR FILL CAP
84	P0805084	PRESSURE VALVE HANDLE
88	P0805088	HEX WRENCH 7MM
89	P0805089	SHOULDER PIN M10-1.5 X 10, 12 X 50
90	P0805090	CONTACTOR TC-11 24V
90-1	P0805090-1	OL RELAY TEND 6-13A
91	P0805091	RELAY SCLB-W-DPDT 24V 5A
92	P0805092	RELAY SCLD-W-B-PDT-C 24V 5A
93	P0805093	FUSE RT18W/32 X 690V
94	P0805094	TRANSFORMER COM 110VA 220V/440V
95	P0805095	TERMINAL BAR 21 POST
96	P0805096	UP/DOWN SWITCH RENEY AC15-DC13
97	P0805097	MAN/AUTO SWITCH RENEY AC15-DC13
98	P0805098	ON/OFF BUTTON RENEY AC15-DC13
99	P0805099	CUT SCALE (LEFT)
100	P0805100	FLAT WASHER 10MM



# Labels & Cosmetics

**Grizzly Industrial**

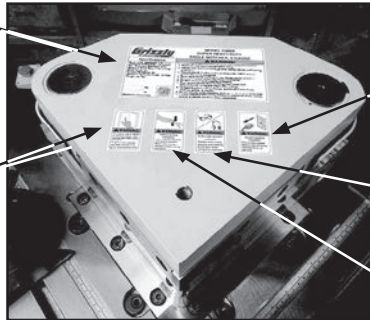
**MODEL G0805  
SUPER HEAVY-DUTY  
ANGLE NOTCHER**

Specifications	⚠️ WARNING!
Motor: 3 HP, 220V/440V, 3-Ph, 60 Hz Pro-Wind: 220V Full-Load: 8.6A (220V), 4.3A (440V) Max. Thickness Mild Steel: 9 Ga. Maximum Notch Size: 7-7/8" x 7-7/8" Notch Angle: 30° Strokes Per Minute: 50 Maximum Hydraulic Power: 12 Tons Weight: 827 lbs.	To reduce risk of serious personal injury when using this machine: 1. Read and understand manual before using. 2. Always wear approved safety glasses and hearing protection. 3. Never place hands and fingers near blades during operation. 4. DO NOT exceed rated capacity of notcher. 5. Keep all guards in place and in working order. ONLY remove guard when power is disconnected. 6. Disconnect power before adjusting or servicing. 7. Wear leather gloves when handling sheet metal. Deburr or chamfer workpiece edges after cutting. 8. Do not operate under influence of drugs or alcohol, or when tired. 9. Prevent unauthorized use by children or untrained users; restrict access or disable machine when unattended.

101

102

**⚠️ WARNING!**  
INJURY/SHOCK  
HAZARD!  
Disconnect power before adjustments, maintenance, or service.



103

**⚠️ WARNING!**  
EYE/HEARING  
INJURY HAZARD!  
Always wear safety glasses and hearing protection when using this machine.

113

**⚠️ WARNING!**  
To reduce risk of death or serious injury, read manual BEFORE using machine.  
To get a new manual, call (800) 523-4777 or go to [www.grizzly.com](http://www.grizzly.com).

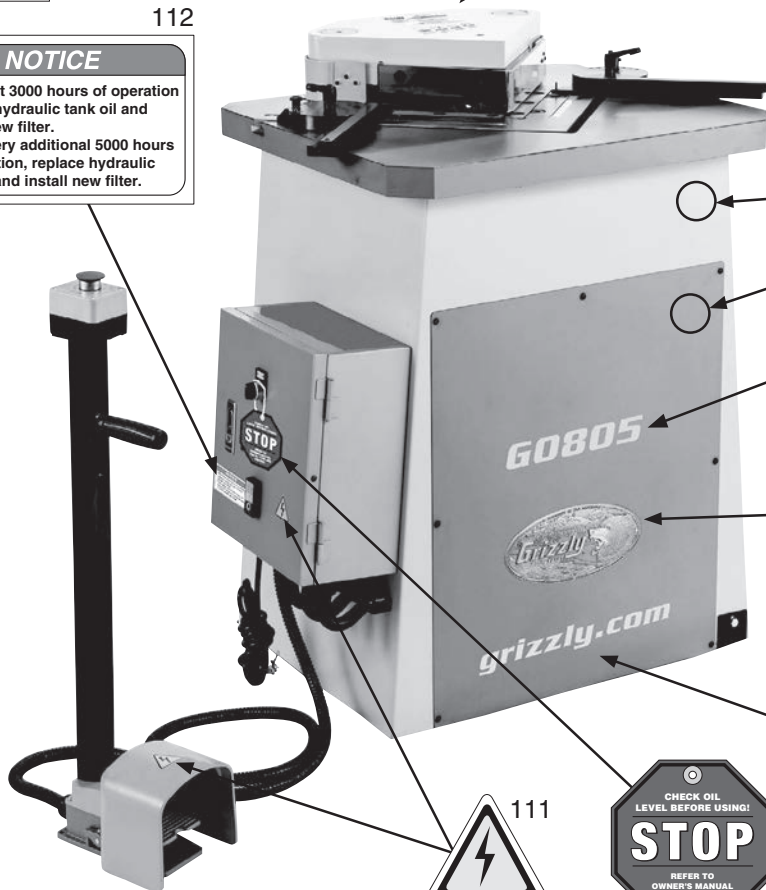
104

**⚠️ WARNING!**  
AMPUTATION  
HAZARD!  
ONLY operate machine with guard installed. Never place hands between blades during operation!

112

**NOTICE**

- After first 3000 hours of operation replace hydraulic tank oil and install new filter.
- After every additional 5000 hours of operation, replace hydraulic tank oil and install new filter.



105

106

107

**G0805**

108



109

**grizzly.com**

111



110

CHECK OIL LEVEL BEFORE USING!

**STOP**

REFER TO OWNER'S MANUAL FOR OIL TYPE AND AMOUNT.

REF PART #	DESCRIPTION
101	P0805101 MACHINER ID LABEL
102	P0805102 DISCONNECT POWER LABEL
103	P0805103 EYE/EAR PROTECTION LABEL
104	P0805104 SHEAR AMPUTATION LABEL
105	P0805105 TOUCH-UP PAINT, GRIZZLY BEIGE
106	P0805106 TOUCH-UP PAINT, GRIZZLY GREEN
107	P0805107 MODEL NUMBER LABEL

REF PART #	DESCRIPTION
108	P0805108 GRIZZLY NAMEPLATE
109	P0805109 GRIZZLY.COM LABEL
110	P0805110 STOP OIL FILL TAG
111	P0805111 ELECTRICITY LABEL
112	P0805112 REPLACE FLUID LABEL
113	P0805113 READ MANUAL LABEL

