



# Headstock Parts List

REF	PART #	DESCRIPTION
1	P0808001	HEADSTOCK ASSEMBLY
1-1	P0808001-1	HEADSTOCK CASTING
1-2	P0808001-2	HEADSTOCK COVER
1-3	P0808001-3	VENT PLUG 1/8" NPT
1-4	P0808001-4	OIL FILL PLUG 3/8" NPT
1-5	P0808001-5	TAPER PIN 10.3 X 30
1-6	P0808001-6	CAP SCREW 5/16-18 X 1-1/4
1-7	P0808001-7	SPEED RANGE SHIFT LEVER
1-8	P0808001-8	SPEED RANGE SHIFT SHAFT
1-11	P0808001-11	EXT RETAINING RING 12MM
1-12	P0808001-12	CAP SCREW 1/4-20 X 1/2
1-13	P0808001-13	SPEED RANGE SHIFT FORK
1-14	P0808001-14	DOWEL PIN 4 X 16
1-15	P0808001-15	OIL SEAL 12 X 22 X 7
1-16	P0808001-16	OIL DRAIN PLUG 1/4 NPT
1-17	P0808001-17	OIL SIGHT GLASS 30MM
1-18	P0808001-18	O-RING 28 X 2.6
1-19	P0808001-19	OIL SEAL COVER 12MM
1-20	P0808001-20	CAP SCREW 5/16-18 X 2
1-21	P0808001-21	TAPER PIN 10.3 X 50
2	P0808002	SPINDLE CAP
3	P0808003	DRAWBAR 7/16-20 X 16-5/16
4	P0808004	PHLP HD SCR M4-.7 X 10
6	P0808006	MOTOR 1HP 220V/440V 3-PH
6-1	P0808006-1	MOTOR FAN COVER
6-2	P0808006-2	MOTOR FAN
6-3	P0808006-3	BALL BEARING 6203ZZ (REAR)
6-4	P0808006-4	BALL BEARING 6204ZZ (FRONT)
7	P0808007	CAP SCREW 3/8-16 X 1
8	P0808008	KEY 6 X 6 X 30
9	P0808009	QUILL SEAL (RUBBER)
10	P0808010	DEPTH ROD MOUNT
11	P0808011	SPINDLE ASSEMBLY R8
11-1	P0808011-1	SPANNER NUT M30-1.5
11-2	P0808011-2	EXT TOOTH WASHER 30MM
11-3	P0808011-3	TAPERED ROLLER BEARING E30206J
11-4	P0808011-4	QUILL
11-5	P0808011-5	TAPERED ROLLER BEARING 30207J
11-6	P0808011-6	SPINDLE R8
11-7	P0808011-7	SPINDLE END CAP
11-8	P0808011-8	SET SCREW 8-32 X 1/4
12	P0808012	QUILL DEPTH LEADSCREW ASSY 1/2-10 x 8.5
13	P0808013	QUILL DEPTH SUPPORT NUT M16-1.5
14	P0808014	HEX BOLT 1/4-20 X 2
15	P0808015	HEX NUT 1/4-20
16	P0808016	QUILL DEPTH STOP BLOCK
17	P0808017	SPRING BASE ASSEMBLY
17-1	P0808017-1	SPRING BASE
17-2	P0808017-2	DOWEL PIN 3 X 12
19	P0808019	PHLP HD SCR 10-24 X 3/4
20	P0808020	RETURN SPRING ASSEMBLY
20-1	P0808020-1	FLAT COILED SPRING
20-2	P0808020-2	RETURN SPRING COVER
21	P0808021	LOCK WASHER 1/4
22	P0808022	FENDER WASHER 1/4
23	P0808023	CAP SCREW 1/4-20 X 5/8

REF	PART #	DESCRIPTION
24	P0808024	ALIGNMENT PIN 3/8-16 X 38
25	P0808025	HEX NUT 3/8-16
26	P0808026	ADJUSTABLE HANDLE 9"L, 1/2-13 X 2-3/4
27	P0808027	FLAT WASHER 1/2
28	P0808028	LOCK PLUNGER SLEEVE
29	P0808029	OUTSIDE LOCK PLUNGER
30	P0808030	INSIDE LOCK PLUNGER
31	P0808031	LOCK NUT 5/8-11
32	P0808032	DOCK WASHER 5/8 X 1-9/16 X 1/8
33	P0808033	HEX BOLT 5/8-11 X 5-1/2
34	P0808034	HEADSTOCK FACEPLATE
35	P0808035	PHLP HD SCR 10-24 X 3/8
36	P0808036	SPEED RANGE LEVER ASSEMBLY
36-1	P0808036-1	SPEED RANGE LEVER
36-2	P0808036-2	SET SCREW 5/16-18 X 5/16
38	P0808038	DEPTH INDICATOR
39	P0808039	FLAT WASHER 1/8
40	P0808040	PHLP HD SCR 4-40 X 1/4
41	P0808041	DUST SHIELD
42	P0808042	PHLP HD SCR 10-24 X 3/8
43	P0808043	HEAD ADAPTER
44	P0808044	HEAD TILT SCALE
45	P0808045	TILT SCALE INDICATOR
46	P0808046	RIVET 2 X 4MM
47	P0808047	PHLP HD SCR 10-24 X 3/8
48	P0808048	HEX BOLT 5/8-11 X 5-1/2
49	P0808049	DOCK WASHER 5/8 X 1-9/16 X 1/8
50	P0808050	HEX NUT 5/8-11
51	P0808051	PINION SHAFT
52	P0808052	FLAT HD SCR 10-24 X 1/2
53	P0808053	KEY 7 X 7 X 20
54	P0808054	WORM SHAFT ASSEMBLY
54-1	P0808054-1	WORM SHAFT HOUSING
54-2	P0808054-2	WORM SHAFT
54-3	P0808054-3	BALL BEARING 6202ZZ
54-4	P0808054-4	EXT RETAINING RING 15MM
54-5	P0808054-5	BEARING SPACER 34 X 27.5 X 30
55	P0808055	CAP SCREW 5/16-18 X 3/4
56	P0808056	WORM SHAFT END BRACKET
57	P0808057	PHLP HD SCR 10-24 X 1/2
58	P0808058	FINE DOWNFEED DIAL ASSEMBLY
58-1	P0808058-1	FINE DOWNFEED GRADUATED DIAL
58-2	P0808058-2	SET SCREW 1/4-20 X 5/16
60	P0808060	FINE DOWNFEED HANDWHEEL ASSEMBLY
60-1	P0808060-1	HANDWHEEL TYPE-24 4"D X 1/2"B X 5/16-18
60-2	P0808060-2	KNOB 5/16, 1 X 1 (PLASTIC)
60-3	P0808060-3	SHOULDER SCREW 5/16-18 X 1/4, 3/8 X 1
60-4	P0808060-4	SET SCREW 5/16-18 X 5/16
62	P0808062	WORM GEAR
63	P0808063	COMPRESSION SPRING 2.4 X 17.5 X 25
64	P0808064	COARSE DOWNFEED LEVER HUB
65	P0808065	KNOB BOLT 3/8-16 X 1-5/8, 6 LOBE (PLASTIC)
66	P0808066	LEVER HANDLE 1/2-13, 1-1/4 X 4-3/8
67	P0808067	LEVER SHAFT 1/2-13 X 3/4, 6-3/4L
68	P0808068	HEADSTOCK ADAPTER COVER PLATE
69	P0808069	PHLP HD SCR 1/4-20 X 3/8



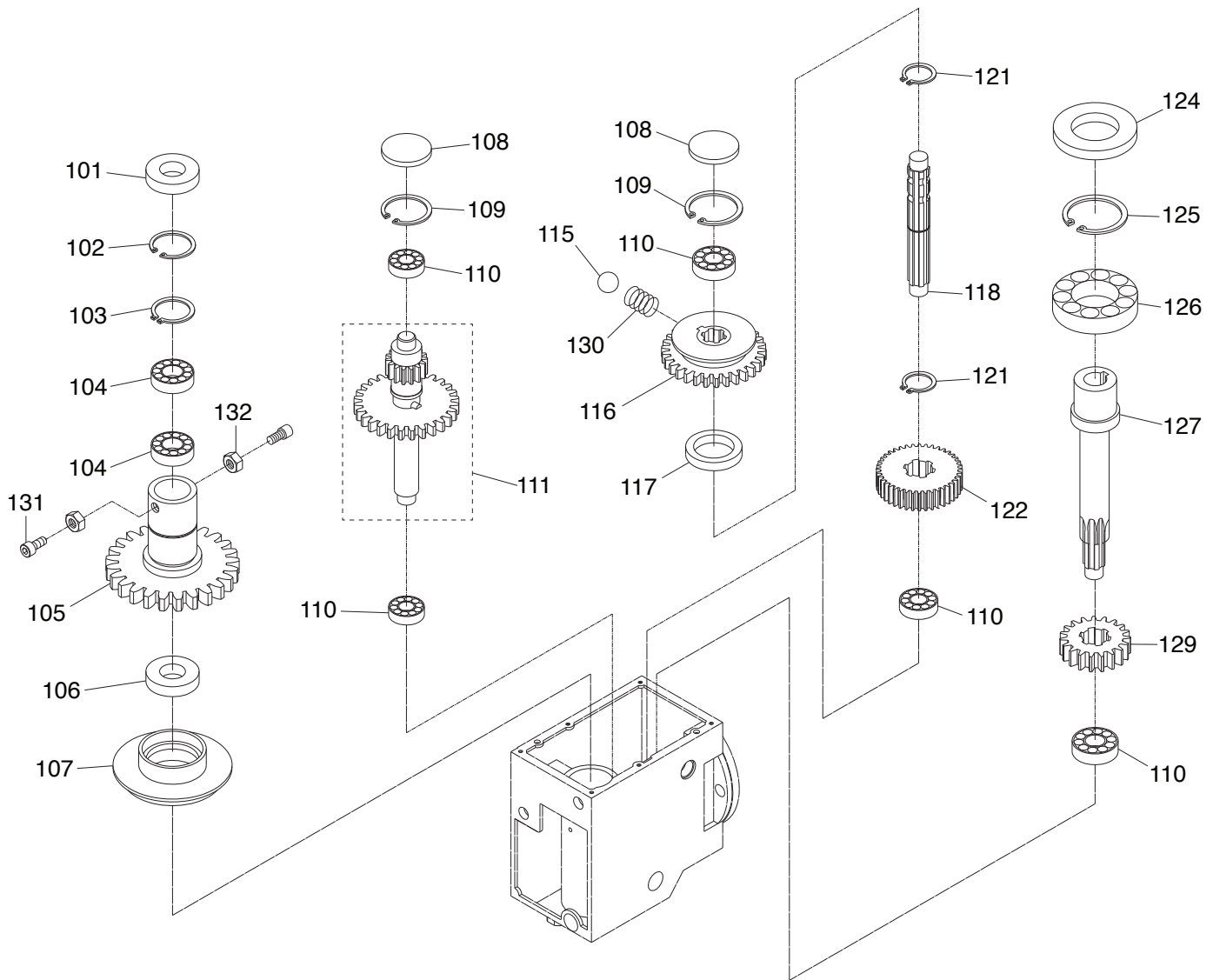
# Headstock Parts List (Continued)

REF	PART #	DESCRIPTION
70	P0808070	INDEX PIN ASSEMBLY
70-1	P0808070-1	INDEX PIN M6-1 X 18, 6.5 X 34
70-2	P0808070-2	HEX NUT M6-1
73	P0808073	L-WRENCH 13MM X 23MM
75	P0808075	CHUCK ARBOR R8 X JT6
77	P0808077	MOTOR COVER
78	P0808078	PHLP HD SCR M5-.8 X 8
79	P0808079	RPM SENSOR BRACKET

REF	PART #	DESCRIPTION
80	P0808080	PHLP HD SCR M3-.5 X 5
81	P0808081	HEX WRENCH 3MM
82	P0808082	HEX WRENCH 4MM
83	P0808083	HEX WRENCH 5MM
92	P0808092	CONTROL PANEL BOX
93	P0808093	RPM SENSOR DRH DA-1805NO-3M 10-30VDC
94	P0808094	CONTROL PANEL COVER
95	P0808095	STRAIN RELIEF TYPE-3 PG11



# Gearbox

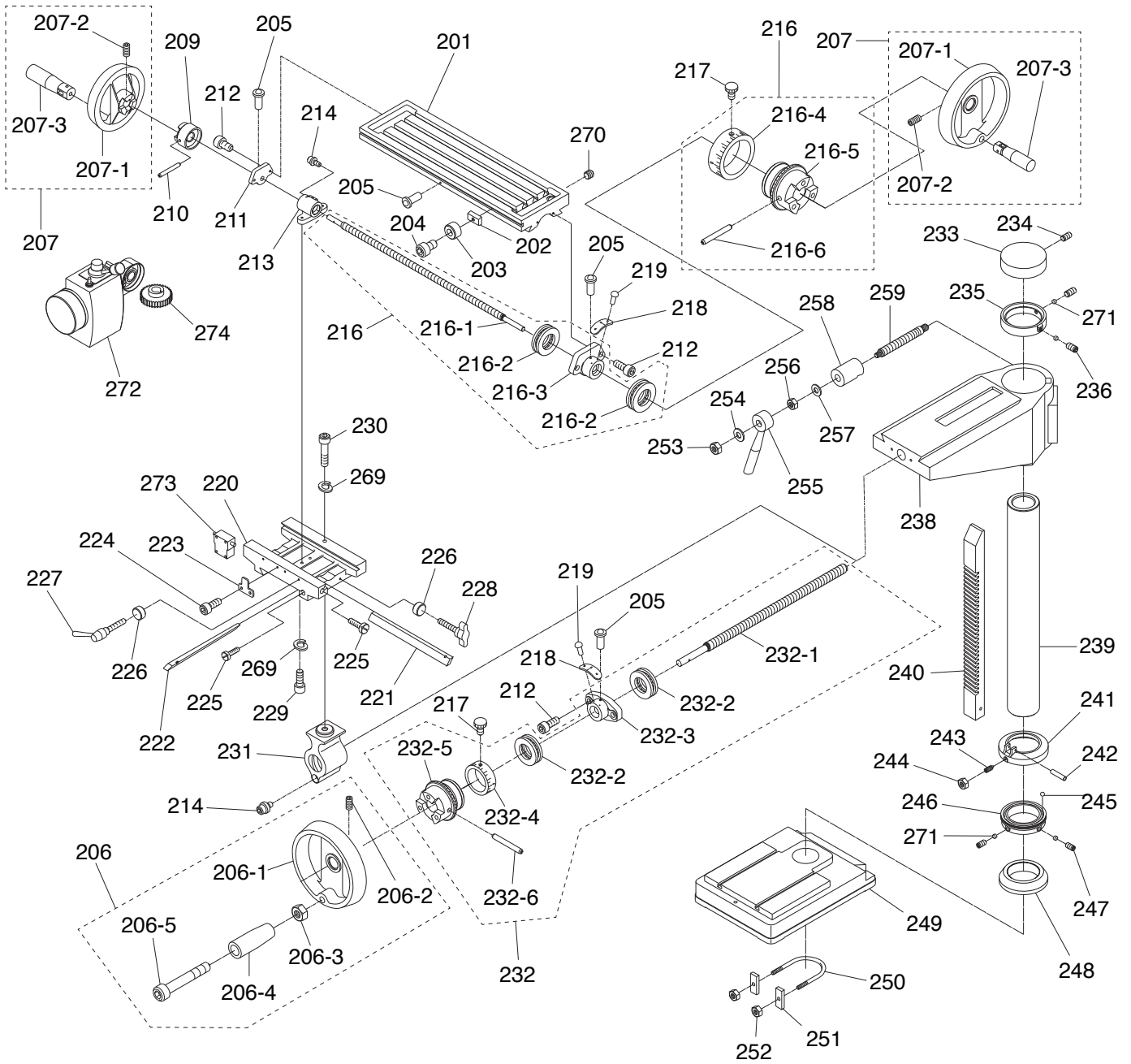


REF	PART #	DESCRIPTION
101	P0808101	OIL SEAL 40 X 68 X 8T
102	P0808102	INT RETAINING RING 68MM
103	P0808103	EXT RETAINING RING 40MM
104	P0808104	BALL BEARING 6008ZZ
105	P0808105	GEAR 53T
106	P0808106	OIL SEAL 35 X 45 X 8
107	P0808107	OIL SEAL RING
108	P0808108	BEARING COVER 35MM
109	P0808109	INT RETAINING RING 35MM
110	P0808110	BALL BEARING 6202ZZ
111	P0808111	GEAR SHAFT ASSEMBLY 15T/41T
115	P0808115	STEEL BALL 5/16
116	P0808116	COMBO GEAR 16T/42T

REF	PART #	DESCRIPTION
117	P0808117	BUSHING
118	P0808118	GEAR SHAFT
121	P0808121	EXT RETAINING RING 20MM
122	P0808122	GEAR 31T
124	P0808124	OIL SEAL 35 X 62 X 8
125	P0808125	INT RETAINING RING 62MM
126	P0808126	BALL BEARING 6007ZZ
127	P0808127	GEAR SHAFT
129	P0808129	GEAR 28T
130	P0808130	COMPRESSION SPRING 0.8 X 7.1 X 15
131	P0808131	CAP SCREW M6-1 X 8
132	P0808132	HEX NUT M6-1



# Column



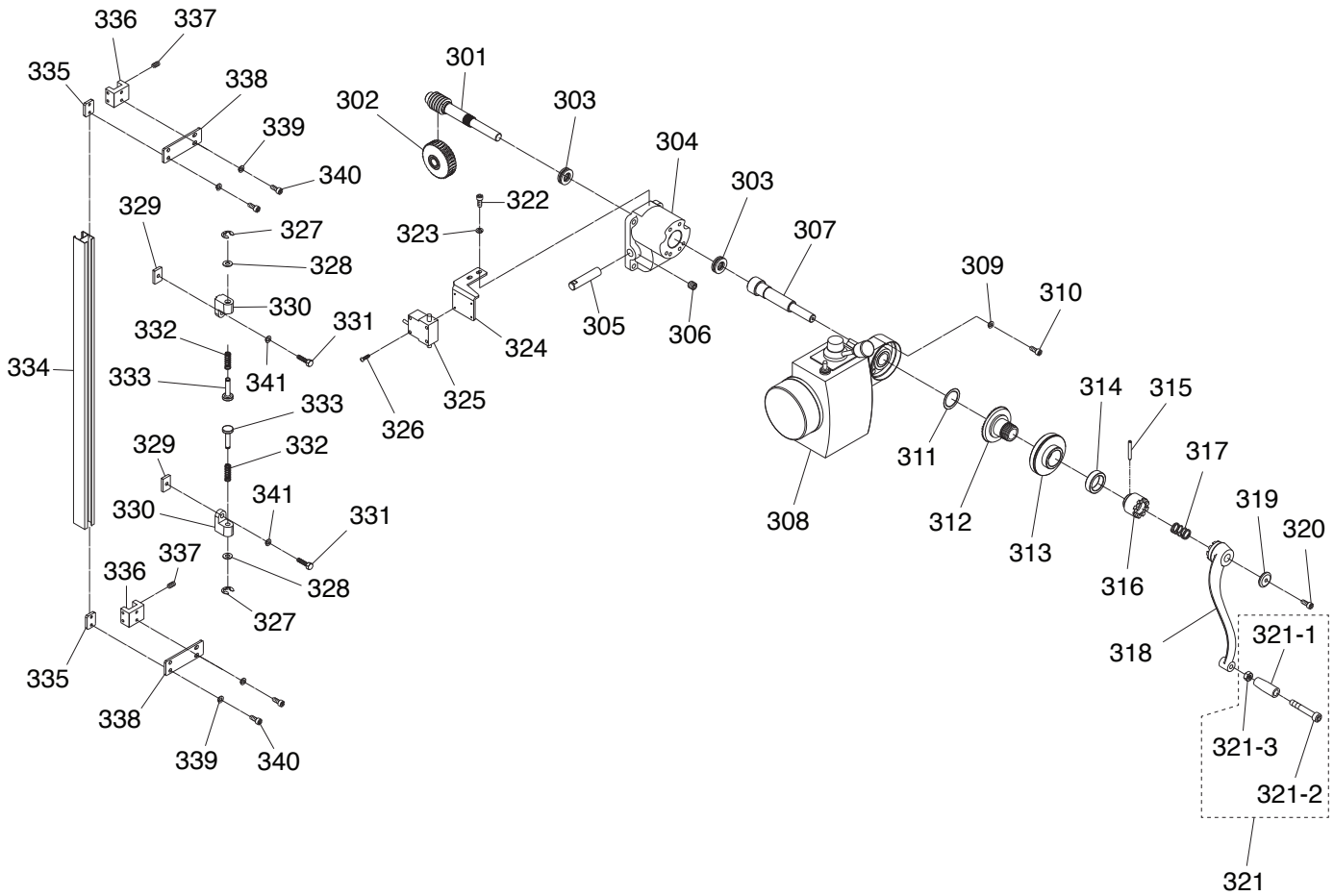
# Column Parts List

REF	PART #	DESCRIPTION
201	P0808201	TABLE
202	P0808202	SLIDE NUT 1/4-20
203	P0808203	LIMIT STOP
204	P0808204	CAP SCREW 1/4-20 X 1/2
205	P0808205	BALL OILER 1/4 PRESS-IN
206	P0808206	Y-AXIS HANDWHEEL ASSEMBLY
206-1	P0808206-1	HANDWHEEL TYPE-22 120D X 17B-S X 3/8-16
206-2	P0808206-2	SET SCREW M6-1 X 8
206-3	P0808206-3	HEX NUT 3/8-16
206-4	P0808206-4	HANDLE 3/8, 1D X 2-3/4L (PLASTIC)
206-5	P0808206-5	CAP SCREW 3/8-16 X 3-1/2
207	P0808207	X-AXIS HANDWHEEL ASSEMBLY
207-1	P0808207-1	HANDWHEEL TYPE-22 120D X 17B-S X M10-1.5
207-2	P0808207-2	SET SCREW M6-1 X 8
207-3	P0808207-3	FOLDING HANDLE M10-1.5 X 12, 23 X 90
209	P0808209	X-AXIS LEADSCREW CLUTCH (LEFT)
210	P0808210	ROLL PIN 5 X 38
211	P0808211	X-AXIS LEADSCREW BRACKET (LEFT)
212	P0808212	CAP SCREW 5/16-18 X 1
213	P0808213	X-AXIS LEADSCREW NUT
214	P0808214	CAP SCREW M5-.8 X 16
216	P0808216	X-AXIS LEADSCREW ASSEMBLY
216-1	P0808216-1	X-AXIS LEADSCREW
216-2	P0808216-2	THRUST BEARING 51103
216-3	P0808216-3	X-AXIS LEADSCREW BRACKET (RIGHT)
216-4	P0808216-4	GRADUATED COLLAR (METRIC)
216-5	P0808216-5	X-AXIS LEADSCREW CLUTCH (RIGHT)
216-6	P0808216-6	ROLL PIN 5 X 38
217	P0808217	KNURLED THUMB SCREW 1/4-20 X 1/2
218	P0808218	DIAL INDICATOR
219	P0808219	RIVET 2 X 4MM
220	P0808220	TABLE BASE
221	P0808221	GIB (X-AXIS)
222	P0808222	GIB (Y-AXIS)
223	P0808223	LIMIT STOP BRACKET
224	P0808224	CAP SCREW M8-1.25 X 12
225	P0808225	GIB BOLT 5/16-18 X 1
226	P0808226	BUSHING
227	P0808227	ADJUSTABLE HANDLE 2"L, 5/16-18 X 1-3/8
228	P0808228	T-KNOB 5/16-18 X 1-5/8
229	P0808229	CAP SCREW 5/16-18 X 1

REF	PART #	DESCRIPTION
230	P0808230	CAP SCREW 5/16-18 X 2-1/4-20
231	P0808231	Y-AXIS LEADSCREW NUT
232	P0808232	Y-AXIS LEADSCREW ASSEMBLY
232-1	P0808232-1	Y-AXIS LEADSCREW
232-2	P0808232-2	THRUST BEARING 51103
232-3	P0808232-3	Y-AXIS LEADSCREW BRACKET
232-4	P0808232-4	GRADUATED COLLAR (METRIC)
232-5	P0808232-5	X-AXIS LEADSCREW CLUTCH (RIGHT)
232-6	P0808232-6	ROLL PIN 5 X 38
233	P0808233	COLUMN CAP
234	P0808234	SET SCREW 5/16-18 X 5/16
235	P0808235	COLUMN COLLAR (UPPER)
236	P0808236	SET SCREW 1/2-13 X 5/8
238	P0808238	KNEE
239	P0808239	COLUMN
240	P0808240	RACK
241	P0808241	RACK RING
242	P0808242	ROLL PIN 5 X 38
243	P0808243	SET SCREW 5/16-18 X 13/16 DOG-PT
244	P0808244	HEX NUT 5/16-18
245	P0808245	STEEL BALL 10MM
246	P0808246	RACK RING BASE
247	P0808247	SET SCREW 1/2-13 X 5/8
248	P0808248	COLUMN COLLAR (LOWER)
249	P0808249	BASE
250	P0808250	U-BOLT 1/2-13
251	P0808251	U-BOLT RETAINER BLOCK
252	P0808252	HEX NUT 1/2-13
253	P0808253	HEX NUT 3/8-16
254	P0808254	FLAT WASHER 3/8
255	P0808255	Z-AXIS LOCK HANDLE 16D X 45L
256	P0808256	HEX NUT 5/8-11
257	P0808257	FLAT WASHER 5/8
258	P0808258	LOCK PLUNGER (Z-AXIS)
259	P0808259	Z-AXIS LOCK BOLT 1/2-13 X 5/8, 4-3/8L
269	P0808269	LOCK WASHER 5/16
270	P0808270	DRAIN PLUG 1/4 NPT
271	P0808271	BUSHING (BRASS)
272	P0808272	POWER FEED UNIT ALIGN AL-500D
273	P0808273	LIMIT SWITCH ALIGN DC2
274	P0808274	X-AXIS LEADSCREW GEAR 56T



# Z-Axis Power Feed



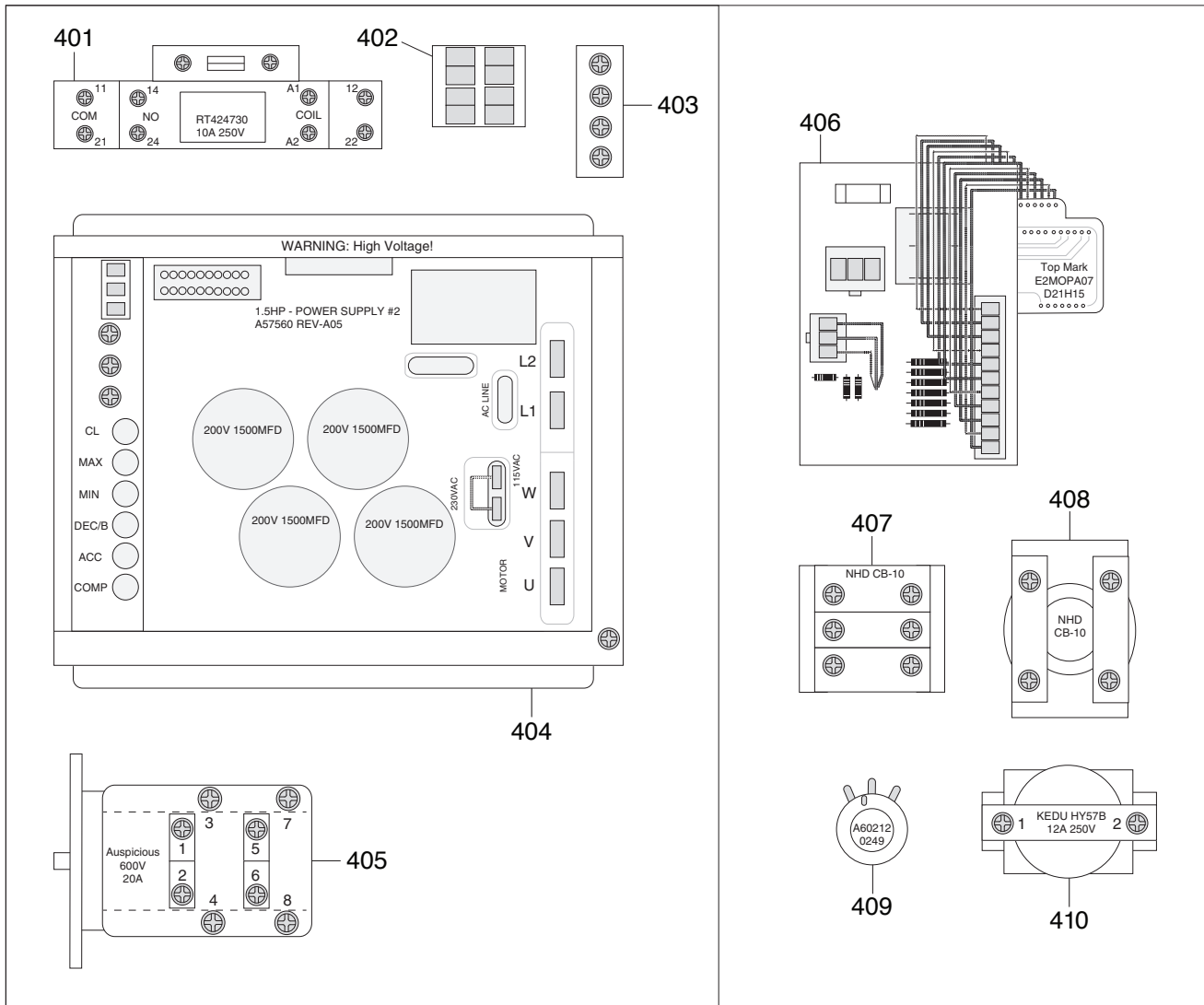
REF	PART #	DESCRIPTION
301	P0808301	WORM SHAFT
302	P0808302	WORM GEAR 33T
303	P0808303	THRUST BEARING 51104
304	P0808304	Z-AXIS CRANK BRACKET
305	P0808305	SHAFT
306	P0808306	SET SCREW M6-1 X 10
307	P0808307	Z-AXIS POWER FEED SHAFT
308	P0808308	Z-AXIS POWER FEED ASSEMBLY
309	P0808309	LOCK WASHER 8MM
310	P0808310	CAP SCREW M8-1.25 X 35
311	P0808311	SPACER
312	P0808312	BEVEL GEAR
313	P0808313	BEVEL GEAR COVER
314	P0808314	KNURLED COLLAR
315	P0808315	ROLL PIN 5 X 30
316	P0808316	DETENT COLLAR
317	P0808317	COMPRESSION SPRING 1.5 X 20 X 37
318	P0808318	Z-AXIS CRANK
319	P0808319	BEVELED WASHER 6 X 30 X 5
320	P0808320	CAP SCREW M6-1 X 20
321	P0808321	Z-AXIS CRANK HANDLE ASSEMBLY
321-1	P0808321-1	HANDLE 2-3/4"L X 1"OD X 3/8"ID (PLASTIC)

REF	PART #	DESCRIPTION
321-2	P0808321-2	CAP SCREW 3/8-16 X 3-1/2
321-3	P0808321-3	HEX NUT 3/8-16
322	P0808322	CAP SCREW M6-1 X 15
323	P0808323	LOCK WASHER 6MM
324	P0808324	Z-AXIS LIMIT SWITCH BRACKET
325	P0808325	LIMIT SWITCH TIGER HIGHLY VS10N021C
326	P0808326	PHLP HD SCR M3-.5 X 20
327	P0808327	E-CLIP 6MM
328	P0808328	FLAT WASHER 8MM
329	P0808329	LIMIT STOP CLAMP PLATE
330	P0808330	Z-AXIS LIMIT STOP BLOCK
331	P0808331	HEX BOLT 5/16-18 X 1
332	P0808332	COMPRESSION SPRING 1 X 11 X 34
333	P0808333	LIMIT STOP PLUNGER
334	P0808334	GUIDE SHAFT
335	P0808335	LIMIT STOP ASSEMBLY CLAMP PLATE
336	P0808336	LIMIT STOP ASSEMBLY MOUNT BLOCK
337	P0808337	SET SCREW M6-1 X 10
338	P0808338	LIMIT STOP ASSEMBLY MOUNT BRACKET
339	P0808339	CAP SCREW M6-1 X 15
340	P0808340	LOCK WASHER 6MM
341	P0808341	LIMIT STOP BLOCK WASHER 8MM





# Electrical



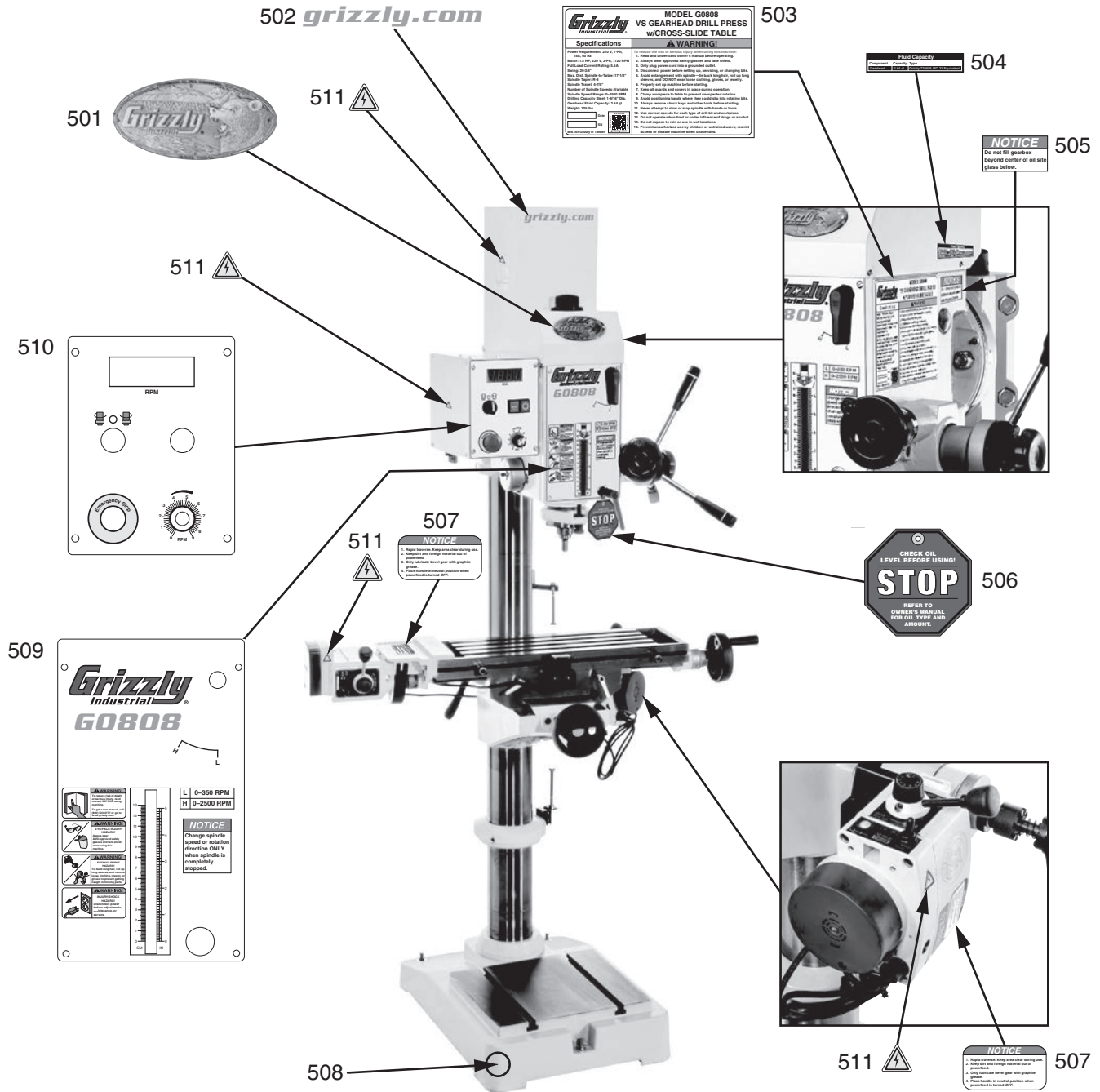
REF	PART #	DESCRIPTION
401	P0808401	RELAY RT424730 10A 250V
402	P0808402	WIRE JUNCTION TERMINAL
403	P0808403	GROUND TERMINAL 4P
404	P0808404	CIRCUIT BOARD REV-A05 A57560
405	P0808405	ROTARY SWITCH AUSP AC-21A 600V 20A

REF	PART #	DESCRIPTION
406	P0808406	DRO TOP MARK E2MOPA07 D21H15
407	P0808407	ON/OFF SWITCH NHD CB-10 22MM
408	P0808408	ROTARY SWITCH NHD CB-10 22MM
409	P0808409	POTENTIOMETER A60212 0249
410	P0808410	E-STOP KEDU HY57B 12A 250V





# Labels



REF	PART #	DESCRIPTION
501	P0808501	GRIZZLY NAMEPLATE
502	P0808502	GRIZZLY.COM LABEL
503	P0808503	MACHINE ID LABEL
504	P0808504	FLUID CAPACITY LABEL
505	P0808505	GEARBOX FILL NOTICE
506	P0808506	STOP CHECK OIL TAG

REF	PART #	DESCRIPTION
507	P0808507	RAPID TRAVERSE NOTICE
508	P0808508	TOUCH-UP PAINT, GRIZZLY BEIGE
509	P0808509	FACEPLATE/WARNING COMBO LABEL
510	P0808510	CONTROL PANEL LABEL
511	P0808511	ELECTRICITY LABEL

**⚠ WARNING**

Safety labels help reduce the risk of serious injury caused by machine hazards. If any label comes off or becomes unreadable, the owner of this machine **MUST** replace it in the original location before resuming operations. For replacements, contact (800) 523-4777 or [www.grizzly.com](http://www.grizzly.com).

