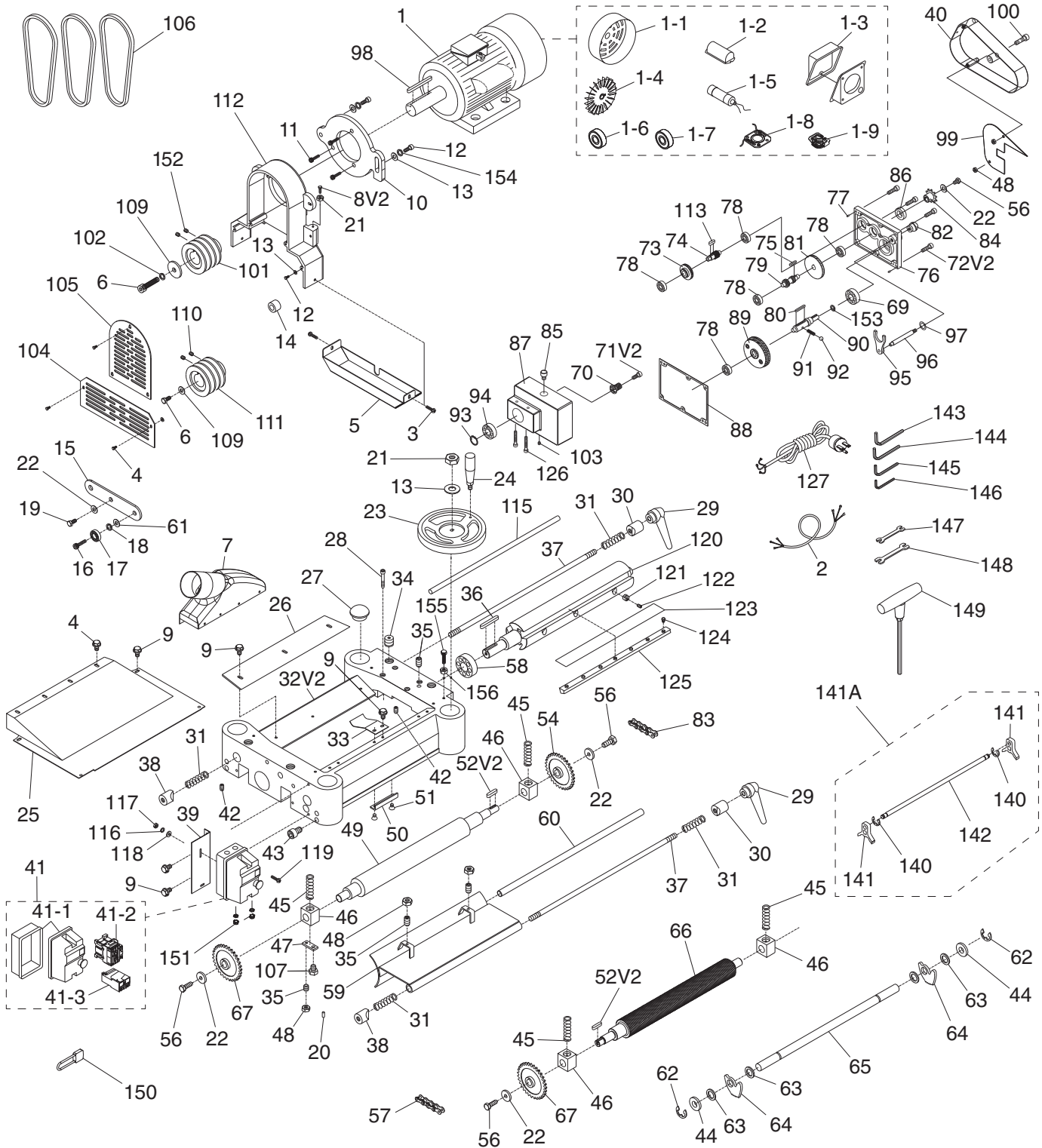


SECTION 9: PARTS

We do our best to stock replacement parts when possible, but we cannot guarantee that all parts shown are available for purchase. Call (800) 523-4777 or visit www.grizzly.com/parts to check for availability.

Main



Main Parts List

REF	PART #	DESCRIPTION
1	P0815001	MOTOR 3HP 220V 1-PH
1-1	P0815001-1	MOTOR FAN COVER
1-2	P0815001-2	CAPACITOR COVER
1-3	P0815001-3	MOTOR JUNCTION BOX
1-4	P0815001-4	MOTOR FAN
1-5	P0815001-5	S CAPACITOR 600M 125V 1-3/4 X 3-3/8
1-6	P0815001-6	MOTOR BEARING 6205ZZ (FRONT)
1-7	P0815001-7	MOTOR BEARING 6203ZZ (REAR)
1-8	P0815001-8	CONTACT PLATE
1-9	P0815001-9	CENTRIFUGAL SWITCH
2	P0815002	MOTOR CORD 12G 3W 20"
3	P0815003	FLANGE SCREW 1/4-20 X 3/8
4	P0815004	FLANGE SCREW 10-24 X 3/8
5	P0815005	BELT HOUSING LOWER COVER
6	P0815006	CAP SCREW M8-1.25 X 25
7	P0815007	DUST PORT 4"
8V2	P0815008V2	HEX BOLT 3/8-16 X 2 V2.03.19
9	P0815009	FLANGE SCREW 1/4-20 X 5/16
10	P0815010	MOTOR PLATE
11	P0815011	CAP SCREW M8-1.25 X 20
12	P0815012	CAP SCREW 3/8-16 X 1-1/4
13	P0815013	FLAT WASHER 3/8
14	P0815014	BUSHING
15	P0815015	PLATE
16	P0815016	CAP SCREW M10-1.25 X 20
17	P0815017	BALL BEARING 6000-2RS
18	P0815018	LOCK WASHER 10MM
19	P0815019	FLANGE SCREW 1/4-20 X 3/8
20	P0815020	ROLL PIN 5 X 15
21	P0815021	HEX NUT 3/8-16
22	P0815022	FLAT WASHER 1/4
23	P0815023	HANDWHEEL TYPE-3 8.5 D X 3/8B-K X 3/8-16
24	P0815024	REVOLVING HANDLE 3/8-16 X 5/8, 1 X 4
25	P0815025	HEADSTOCK COVER
26	P0815026	CHIP DEFLECTOR
27	P0815027	COLUMN CAP
28	P0815028	CAP SCREW 3/8-16 X 2-1/2
29	P0815029	ADJUSTABLE HANDLE M12-1.75, 125L
30	P0815030	COLUMN GIB
31	P0815031	COMPRESSION SPRING 3 X 12.7 X 40
32V2	P0815032V2	HEAD CASTING V2.05.21
33	P0815033	PLATE SPRING
34	P0815034	OIL PORT M22-1.5 X 20
35	P0815035	SET SCREW 1/4-20 X 5/8
36	P0815036	KEY 8 X 8 X 36
37	P0815037	COLUMN LOCK ROD
38	P0815038	COLUMN GIB (THREADED)
39	P0815039	SWITCH MOUNT BRACKET
40	P0815040	DRIVE CHAIN COVER
41	P0815041	MAG SWITCH ASSY SDE MP-15 240V 3HP
41-1	P0815041-1	MAG SWITCH BOX
41-2	P0815041-2	CONTACTOR SDE MA-15 220V
41-3	P0815041-3	OL RELAY SDE RA-20 12-18A
42	P0815042	SET SCREW 5/16-18 X 1/2
43	P0815043	CAP SCREW 1/4-20 X 5/8

REF	PART #	DESCRIPTION
44	P0815044	FLAT WASHER 3/4
45	P0815045	COMPRESSION SPRING 3.5 X 19 X 70
46	P0815046	BUSHING BLOCK
47	P0815047	ROLLER ADJUSTMENT PLATE
48	P0815048	HEX NUT 1/4-20
49	P0815049	OUTFEED ROLLER
50	P0815050	DEPTH LIMITER
51	P0815051	FLAT HD SCR 1/4-20 X 5/16
52V2	P0815052V2	KEY 5 X 5 X 15 V2.07.16
54	P0815054	SPROCKET 31T
56	P0815056	HEX BOLT 1/4-20 X 5/8
57	P0815057	CHAIN 06B X 59
58	P0815058	BALL BEARING 6205-2RS
59	P0815059	CHIP BREAKER
60	P0815060	CHIP BREAKER ADJUSTMENT ROD
61	P0815061	FLAT WASHER 10MM
62	P0815062	E-CLIP 15MM
63	P0815063	SPACER
64	P0815064	ANTI-KICKBACK FINGER
65	P0815065	ANTI-KICKBACK SHAFT
66	P0815066	INFEED ROLLER
67	P0815067	SPROCKET 27T
69	P0815069	BALL BEARING 6204-2RS
70	P0815070	CUTTERHEAD DRIVE GEAR 14T
71V2	P0815071V2	CAP SCREW M6-1 X 20 V2.09.16
72V2	P0815072V2	CAP SCREW 1/4-20 X 3/4 V2.06.16
73	P0815073	GEAR 46T
74	P0815074	GEARED SHAFT 18T
75	P0815075	KEY 5 X 5 X 10
76	P0815076	GEARBOX COVER
77	P0815077	GEARBOX COVER PIN
78	P0815078	BALL BEARING 6201-2RS
79	P0815079	COMBO GEAR 14T/22T
80	P0815080	KEY 5 X 5 X 40
81	P0815081	GEAR 72T
82	P0815082	ROUND KNOB 3/8-16, 1-1/4 DIA
83	P0815083	CHAIN 06B X 55
84	P0815084	SPROCKET 15T
85	P0815085	OIL PLUG 5/8 NPT (PLASTIC)
86	P0815086	OIL SEAL 20 X 35 X 8
87	P0815087	GEARBOX
88	P0815088	GEARBOX GASKET
89	P0815089	COMBO GEAR 71T/79T
90	P0815090	GEAR SHAFT
91	P0815091	COMPRESSION SPRING 0.5 X 4.8 X 18
92	P0815092	STEEL BALL 5MM
93	P0815093	INT RETAINING RING 47MM
94	P0815094	BALL BEARING 6204-2RS
95	P0815095	SHIFTER FORK
96	P0815096	FEED RATE SHIFTER SHAFT
97	P0815097	O-RING 12MM
98	P0815098	KEY 5 X 5 X 30
99	P0815099	CHAIN COVER PLATE
100	P0815100	CAP SCREW 5/16-18 X 1



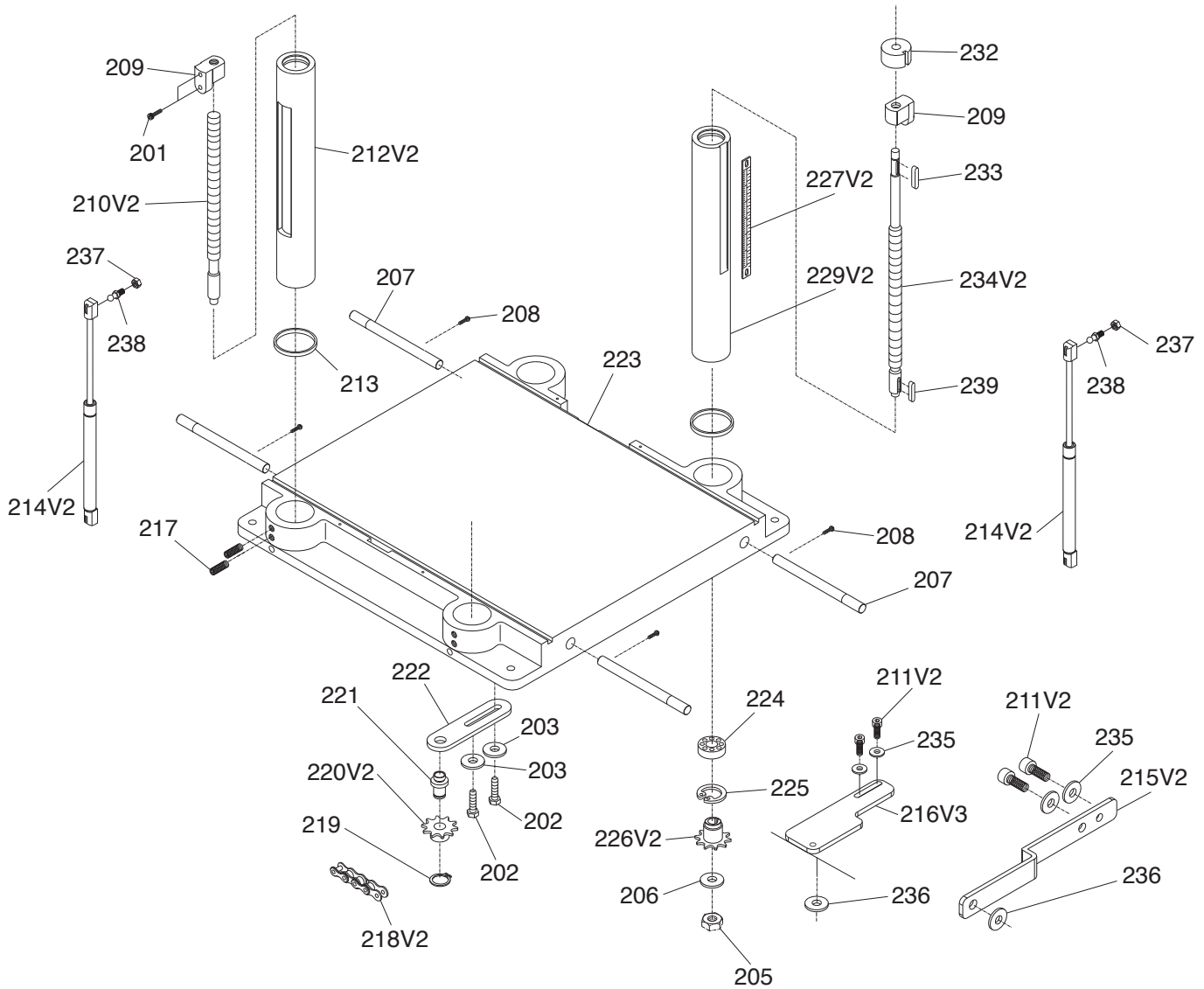
Main Parts List (Cont.)

REF	PART #	DESCRIPTION
101	P0815101	MOTOR PULLEY
102	P0815102	LOCK WASHER 8MM
103	P0815103	DRAIN PLUG 1/4 NPT
104	P0815104	PULLEY COVER (LOWER)
105	P0815105	PULLEY COVER (UPPER)
106	P0815106	V-BELT M28 3L280
107	P0815107	HEX BOLT 5/16-18 X 3/4
109	P0815109	FENDER WASHER 8MM
110	P0815110	SET SCREW 1/4-20 X 3/16
111	P0815111	CUTTERHEAD PULLEY
112	P0815112	BELT HOUSING
113	P0815113	KEY 5 X 5 X 12
115	P0815115	SHAFT
116	P0815116	LOCK WASHER #10
117	P0815117	HEX NUT 10-24
118	P0815118	FLAT WASHER #10
119	P0815119	PHLP HD SCR 10-24 X 5/8
120	P0815120	CUTTERHEAD 15" 3-KNIFE
121	P0815121	KNIFE ADJUSTMENT SEAT
122	P0815122	JACK SCREW M5-.8 X 12
123	P0815123	PLANER KNIVES 15" X 1" X 1/8" 3-PK
124	P0815124	GIB BOLT

REF	PART #	DESCRIPTION
125	P0815125	GIB
126	P0815126	CAP SCREW 3/8-16 X 2-1/2
127	P0815127	POWER CORD 12AWG 3W 72" 6-20P
140	P0815140	E-CLIP 9MM
141A	P0815141A	KNIFE-SETTING JIG ASSEMBLY
141	P0815141	KNIFE-SETTING JIG FOOT
142	P0815142	KNIFE-SETTING JIG ROD
143	P0815143	HEX WRENCH 6MM
144	P0815144	HEX WRENCH 2.5MM
145	P0815145	HEX WRENCH 4MM
146	P0815146	HEX WRENCH 3MM
147	P0815147	WRENCH 8 X 10MM OPEN-ENDS
148	P0815148	WRENCH 12 X 14MM OPEN-ENDS
149	P0815149	T-HANDLE HEX WRENCH 5MM
150	P0815150	PADLOCK WITH KEYS
151	P0815151	STRAIN RELIEF TYPE-3 M20-1.5
152	P0815152	SET SCREW 1/4-20 X 3/4
153	P0815153	EXT RETAINING RING 20MM
154	P0815154	LOCK WASHER 3/8
155	P0815155	HEX BOLT 5/16-18 X 1-1/2
156	P0815156	HEX NUT 5/16-18



Table & Columns

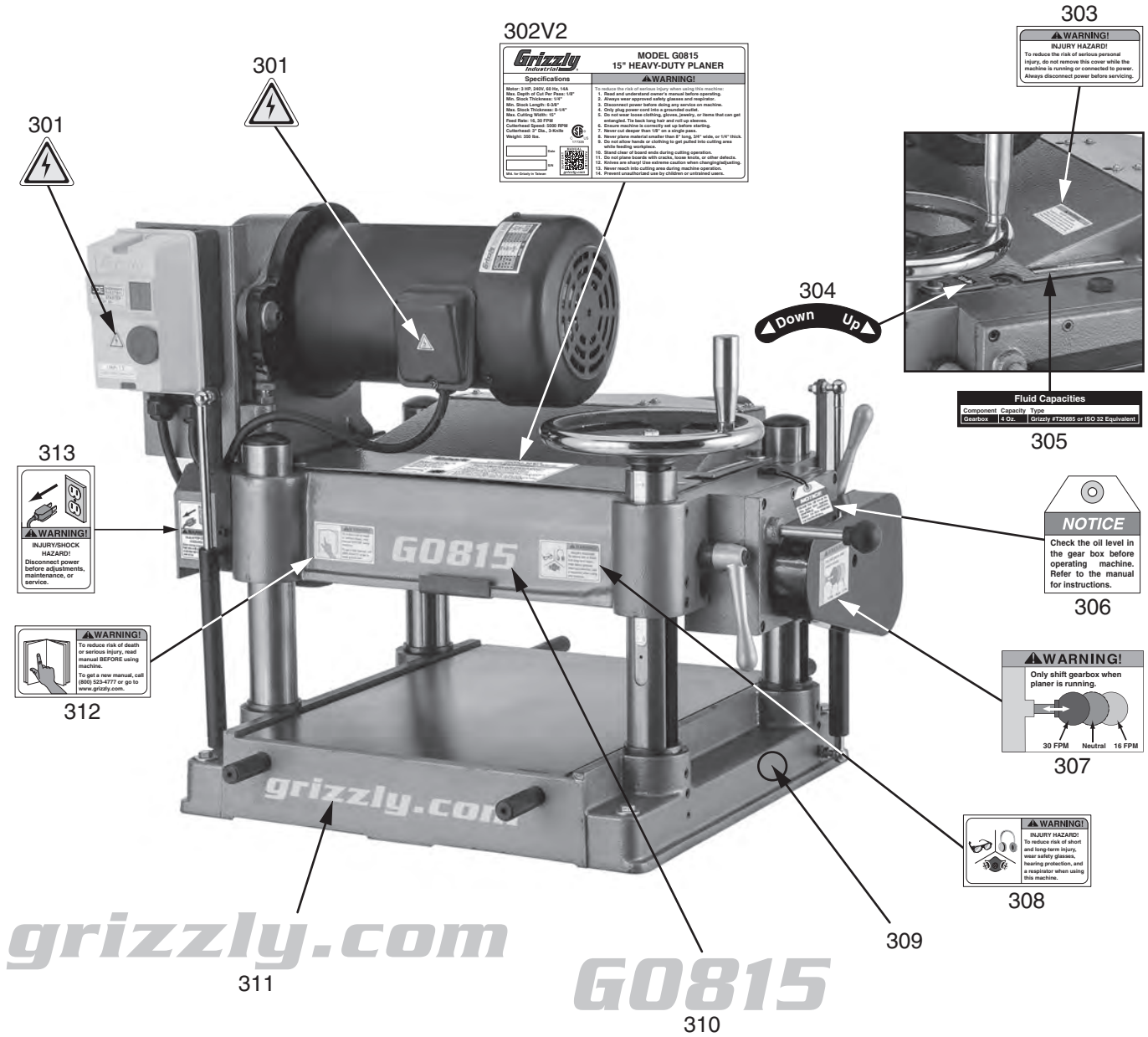


REF	PART #	DESCRIPTION
201	P0815201	CAP SCREW 1/4-20 X 5/8
202	P0815202	HEX BOLT 5/16-18 X 3/4
203	P0815203	FLAT WASHER 5/16
205	P0815205	HEX NUT 3/8-16
206	P0815206	LOCK WASHER 3/8
207	P0815207	SUPPORT ROD
208	P0815208	PHLP HD SCR 10-24 X 3/8
209	P0815209	LEADSCREW NUT
210V2	P0815210V2	ELEVATION LEADSCREW V2.09.18
211V2	P0815211V2	CAP SCREW 1/4-20 X 5/8 V2.01.19
212V2	P0815212V2	COLUMN V2.09.18
213	P0815213	COLUMN BUSHING
214V2	P0815214V2	GAS SPRING ASSEMBLY V2.09.18
215V2	P0815215V2	GAS SPRING BRACKET (FRONT) V2.09.18
216V3	P0815216V3	GAS SPRING BRACKET (REAR) V3.05.21
217	P0815217	SET SCREW 3/8-16 X 1/2
218V2	P0815218V2	HEIGHT CHAIN #25 X 274 V2.03.20
219	P0815219	EXT RETAINING RING 15MM

REF	PART #	DESCRIPTION
220V2	P0815220V2	ELEVATION IDLER SPROCKET 24T V2.03.20
221	P0815221	IDLER SHAFT
222	P0815222	IDLER BRACKET
223	P0815223	TABLE BASE
224	P0815224	BALL BEARING 6302ZZ
225	P0815225	INT RETAINING RING 42MM
226V2	P0815226V2	ELEVATION SPROCKET 24T V2.03.20
227V2	P0815227V2	DEPTH SCALE V2.09.18
229V2	P0815229V2	DRIVE COLUMN V2.09.18
232	P0815232	LEADSCREW BUSHING
233	P0815233	KEY 4 X 4 X 20 RE
234V2	P0815234V2	ELEVATION DRIVE LEADSCREW V2.09.18
235	P0815235	FLAT WASHER 1/4
236	P0815236	FLAT WASHER 8MM
237	P0815237	HEX NUT M8-1.25
238	P0815238	GAS SPRING BALL JOINT M8-1.25 X 14
239	P0815239	KEY 5 X 5 X 20 RE



Labels & Cosmetics



REF	PART #	DESCRIPTION
301	P0815301	ELECTRICITY LABEL
302V2	P0815302V2	MACHINE ID LABEL V2.09.18
303	P0815303	DO NOT OPEN COVER LABEL
304	P0815304	HANDWHEEL ROTATION LABEL
305	P0815305	FLUID CAPACITY LABEL
306	P0815306	CHECK OIL NOTICE LABEL
307	P0815307	FEED SPEED SHIFT WARNING LABEL

REF	PART #	DESCRIPTION
308	P0815308	EYE/EAR/LUNG INJURY WARNING LABEL
309	P0815309	TOUCH-UP PAINT, GRIZZLY GREEN
310	P0815310	MODEL NUMBER LABEL
311	P0815311	GRIZZLY.COM LABEL
312	P0815312	READ MANUAL LABEL
313	P0815313	DISCONNECT POWER LABEL

! WARNING

Safety labels help reduce the risk of serious injury caused by machine hazards. If any label comes off or becomes unreadable, the owner of this machine **MUST** replace it in the original location before resuming operations. For replacements, contact (800) 523-4777 or www.grizzly.com.

