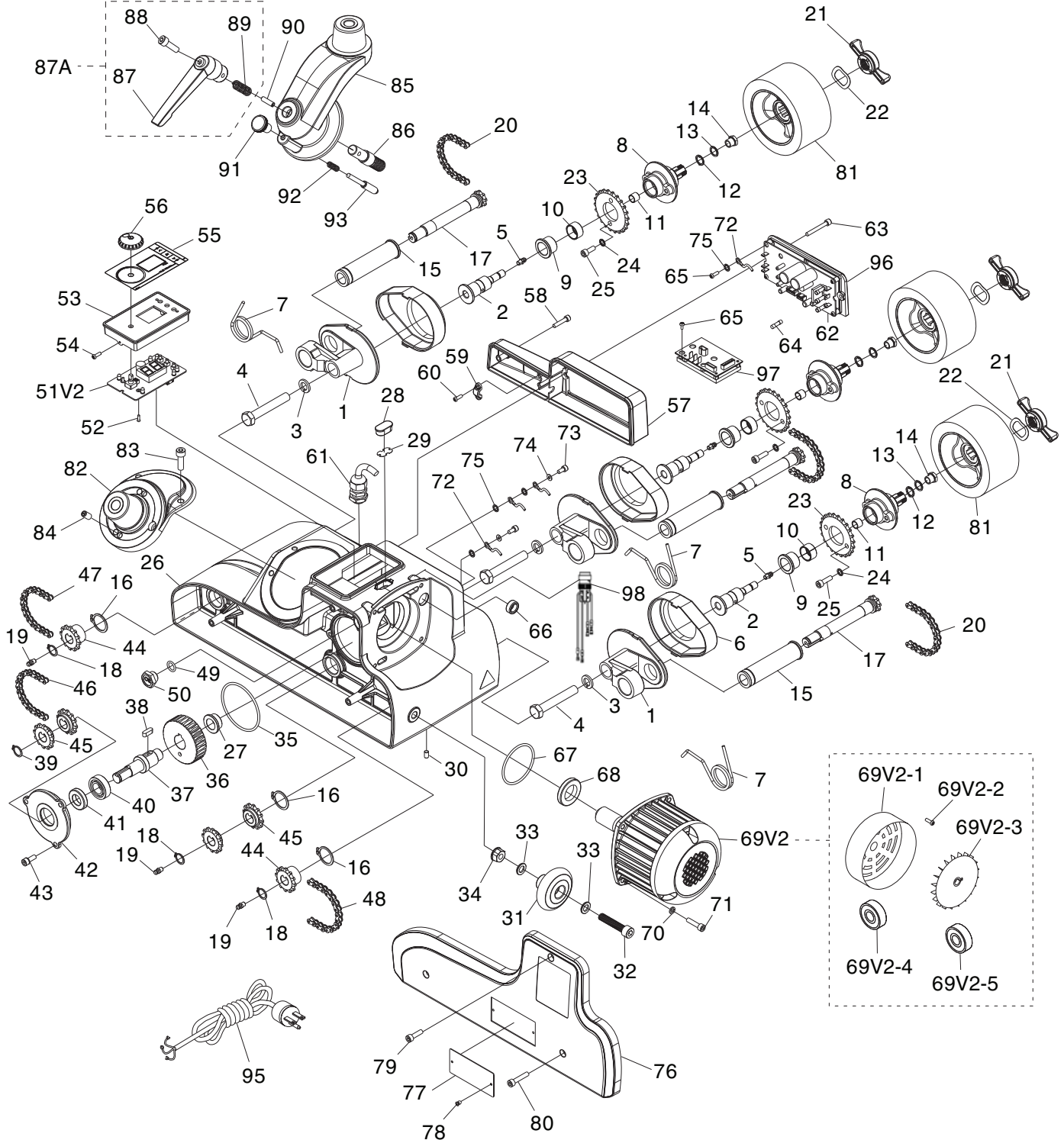


SECTION 9: PARTS

We do our best to stock replacement parts when possible, but we cannot guarantee that all parts shown are available for purchase. Call (800) 523-4777 or visit www.grizzly.com/parts to check for availability.

Power Feeder Assembly



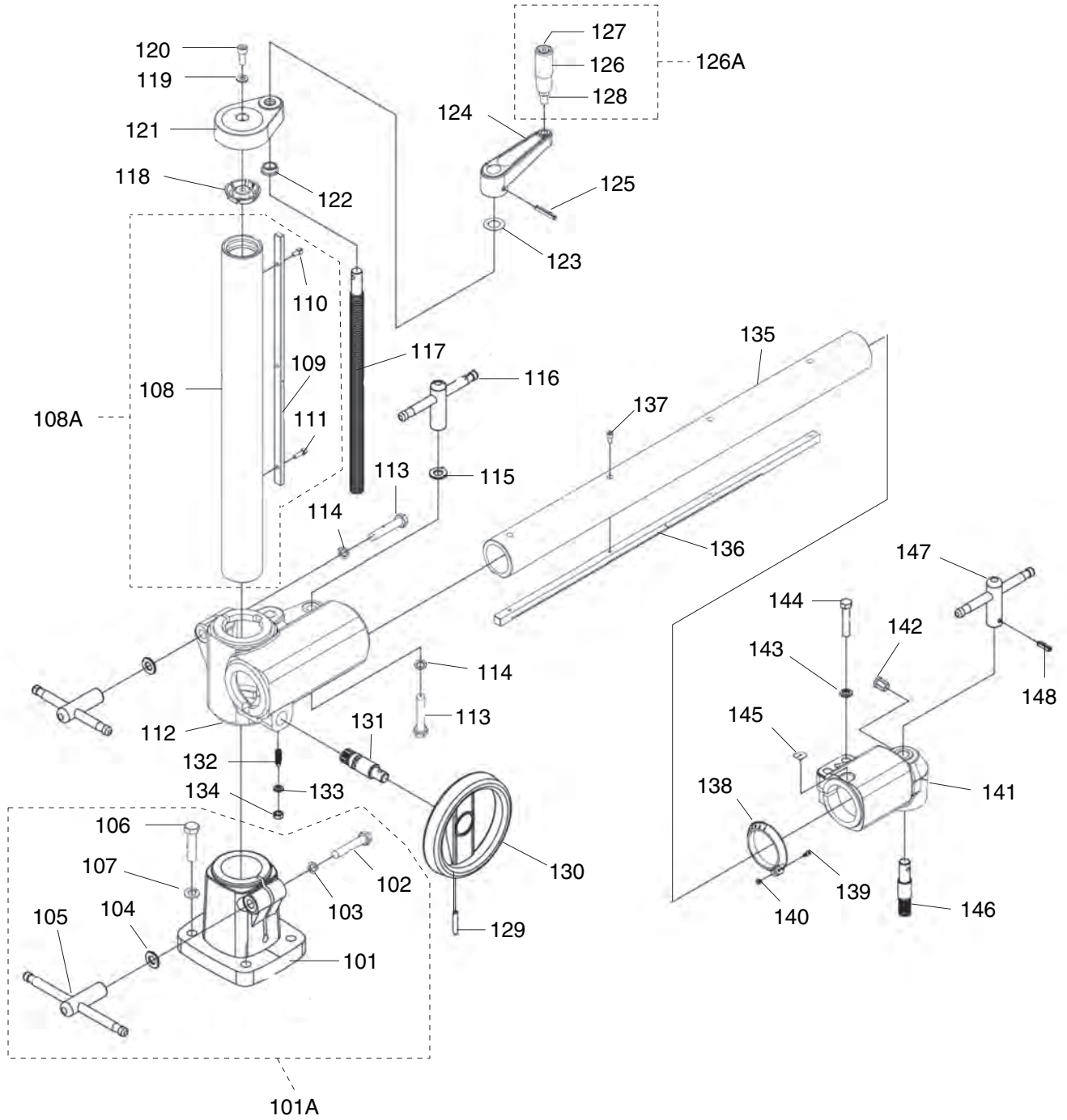
Power Feeder Assembly Parts List

| REF | PART # | DESCRIPTION |
|------|------------|------------------------------|
| 1 | P0826001 | SPROCKET CASE |
| 2 | P0826002 | SPROCKET SHAFT |
| 3 | P0826003 | LOCK WASHER 12MM |
| 4 | P0826004 | HEX BOLT M12-1.75 X 75 |
| 5 | P0826005 | GREASE FITTING M6-1 STRAIGHT |
| 6 | P0826006 | CASE COVER |
| 7 | P0826007 | TORSION SPRING |
| 8 | P0826008 | ROLLER SUPPORTER |
| 9 | P0826009 | BUSHING |
| 10 | P0826010 | SPACER |
| 11 | P0826011 | SPACER |
| 12 | P0826012 | KEYED WASHER 12 X 16 X 1 |
| 13 | P0826013 | FLAT WASHER 12 X 16 X 1 |
| 14 | P0826014 | RECESSED HEX NUT M10-1.5 |
| 15 | P0826015 | SPROCKET SHAFT TUBE |
| 16 | P0826016 | EXT RETAINING RING 26MM |
| 17 | P0826017 | SPROCKET SHAFT |
| 18 | P0826018 | EXT RETAINING RING 15MM |
| 19 | P0826019 | GREASE FITTING M6-1 STRAIGHT |
| 20 | P0826020 | CHAIN 26S |
| 21 | P0826021 | WING NUT M16-2 |
| 22 | P0826022 | WAVY WASHER 16MM |
| 23 | P0826023 | SPROCKET 22T X 3/8" |
| 24 | P0826024 | LOCK WASHER 6MM |
| 25 | P0826025 | CAP SCREW M6-1 X 20 |
| 26 | P0826026 | POWER FEEDER BODY |
| 27 | P0826027 | BUSHING |
| 28 | P0826028 | OIL SIGHT GLASS |
| 29 | P0826029 | OIL SIGHT GLASS PANEL |
| 30 | P0826030 | SET SCREW M6-1 X 10 |
| 31 | P0826031 | KNOB 65D X 38L X 10B |
| 32 | P0826032 | CAP SCREW M10-1.5 X 50 |
| 33 | P0826033 | FLAT WASHER 10MM |
| 34 | P0826034 | FLANGE NUT M10-1.5 |
| 35 | P0826035 | O RING 71.4 X 3.1 G72 |
| 36 | P0826036 | WORM GEAR 30T |
| 37 | P0826037 | WORM GEAR SHAFT |
| 38 | P0826038 | KEY 6 X 6 X 18 |
| 39 | P0826039 | EXT RETAINING RING 15MM |
| 40 | P0826040 | BEARING 35MM X 17MM 6003ZZ |
| 41 | P0826041 | OIL SEAL 17 X 32 X 7MM |
| 42 | P0826042 | WORM GEAR COVER |
| 43 | P0826043 | CAP SCREW M6-1 X 16 |
| 44 | P0826044 | SPROCKET 3/8" 12T |
| 45 | P0826045 | DOUBLE-SPROCKET 12T X 3/8" |
| 46 | P0826046 | CHAIN 28S |
| 47 | P0826047 | CHAIN 62S |
| 48 | P0826048 | CHAIN 36S |
| 49 | P0826049 | O RING 11.8 X 2.4 P12 |
| 50 | P0826050 | OIL FILL PLUG |
| 51V2 | P0826051V2 | DRO CIRCUIT BOARD V2.06.20 |
| 52 | P0826052 | TAP SCREW M3 X 8 |

| REF | PART # | DESCRIPTION |
|--------|--------------|-----------------------------------|
| 53 | P0826053 | DRO COVER |
| 54 | P0826054 | TAP SCREW M4 X 12 |
| 55 | P0826055 | DRO COVER PLATE |
| 56 | P0826056 | SPEED ADJUSTMENT DIAL |
| 57 | P0826057 | CIRCUIT BOARD COVER |
| 58 | P0826058 | CAP SCREW M5-.8 X 25 |
| 59 | P0826059 | WIRE CLAMP (PLASTIC) |
| 60 | P0826060 | PHLP HD SCR M4-.7 X 8 |
| 61 | P0826061 | STRAIN RELIEF TYPE-3 PG11 |
| 62 | P0826062 | CONTROLLER CIRCUIT BOARD |
| 63 | P0826063 | CAP SCREW M5-.8 X 40 |
| 64 | P0826064 | FUSE 5A GLASS |
| 65 | P0826065 | PHLP HD SCR M4-.7 X 8 |
| 66 | P0826066 | SPACER |
| 67 | P0826067 | O-RING 59.4 X 3.1 G60 |
| 68 | P0826068 | MOTOR OIL SEAL |
| 69V2 | P0826069V2 | MOTOR 500W 220V 1-PH V2.06.20 |
| 69V2-1 | P0826069V2-1 | MOTOR FAN COVER |
| 69V2-2 | P0826069V2-2 | BUTTON HD CAP SCR M5-.8 X 12 |
| 69V2-3 | P0826069V2-3 | MOTOR FAN |
| 69V2-4 | P0826069V2-4 | BALL BEARING 6005-2RS (FRONT) |
| 69V2-5 | P0826069V2-5 | BALL BEARING 6201-2RS (REAR) |
| 70 | P0826070 | LOCK WASHER 6MM |
| 71 | P0826071 | CAP SCREW M6-1 X 20 |
| 72 | P0826072 | GROUND WIRE 18G |
| 73 | P0826073 | CAP SCREW M5-.8 X 12 |
| 74 | P0826074 | FLAT WASHER 5MM |
| 75 | P0826075 | EXT TOOTH WASHER 5MM |
| 76 | P0826076 | CHAIN COVER |
| 77 | P0826077 | SPECIFICATION LABEL PANEL |
| 78 | P0826078 | RIVET 3 X 10 |
| 79 | P0826079 | CAP SCREW M6-1 X 20 |
| 80 | P0826080 | CAP SCREW M6-1 X 30 |
| 81 | P0826081 | 120MM X 60MM ROLLER |
| 82 | P0826082 | LOWER ELBOW PIVOT JOINT |
| 83 | P0826083 | CAP SCREW M8-1.25 X 25 |
| 84 | P0826084 | LOCK PIN |
| 85 | P0826085 | LOWER ELBOW JOINT |
| 86 | P0826086 | STANDOFF HEX M16-1.5 X 82 |
| 87A | P0826087A | LOWER ELBOW JOINT LOCK ASSEMBLY |
| 87 | P0826087 | ADJUSTABLE HANDLE 108L |
| 88 | P0826088 | SHOULDER CAP SCR M6-1 X 6, 7 X 22 |
| 89 | P0826089 | COMPRESSION SPRING 1 X 15 X 16 |
| 90 | P0826090 | ROLL PIN 6 X 22 |
| 91 | P0826091 | PIVOT LOCK KNOB M6-1, 22D |
| 92 | P0826092 | COMPRESSION SPRING 0.8 X 8 X 23 |
| 93 | P0826093 | LOCK PIN |
| 95 | P0826095 | POWER CORD 3W 16G 72" 6-15P |
| 96 | P0826096 | CIRCUIT BOARD HEAT SINK |
| 97 | P0826097 | MOTOR CIRCUIT BOARD |
| 98 | P0826098 | ON/OFF SWITCH |



Column & Stand



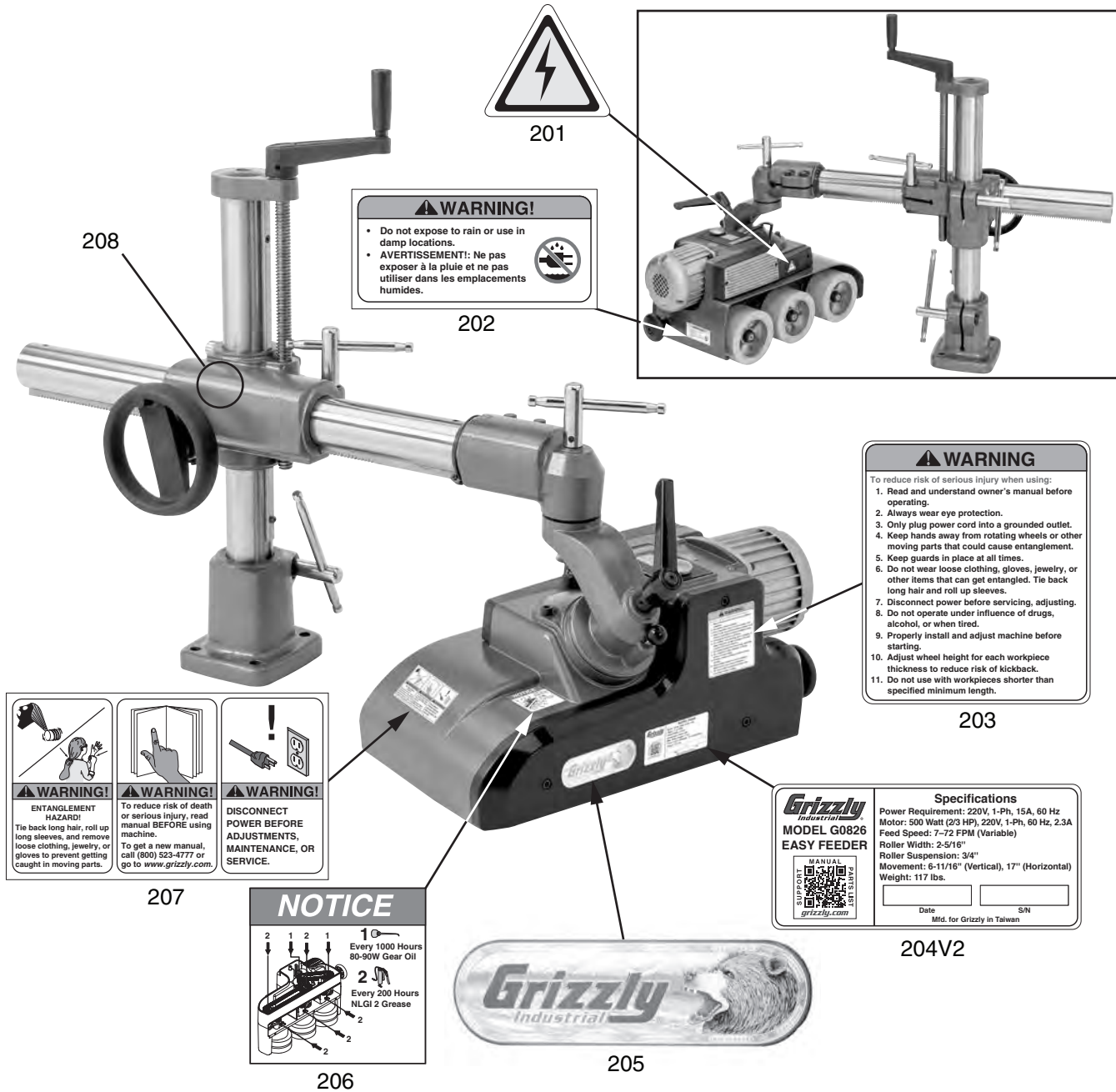
Column & Stand Parts List

| REF | PART # | DESCRIPTION |
|------|-----------|---------------------------|
| 101A | P0826101A | VERTICAL COLUMN BASE ASSY |
| 101 | P0826101 | VERTICAL COLUMN BASE |
| 102 | P0826102 | HEX BOLT M12-1.75 X 75 |
| 103 | P0826103 | LOCK WASHER 12MM |
| 104 | P0826104 | FLAT WASHER 12MM |
| 105 | P0826105 | SLIDING T-HANDLE 200MM |
| 106 | P0826106 | HEX BOLT M12-1.75 X 50 |
| 107 | P0826107 | LOCK WASHER 12MM |
| 108A | P0826108A | VERTICAL COLUMN ASSEMBLY |
| 108 | P0826108 | VERTICAL COLUMN |
| 109 | P0826109 | VERTICAL COLUMN RACK |
| 110 | P0826110 | CAP SCREW M5-.8 X 10 |
| 111 | P0826111 | CAP SCREW M5-.8 X 16 |
| 112 | P0826112 | ELEVATING BRACKET |
| 113 | P0826113 | HEX BOLT M12-1.75 X 75 |
| 114 | P0826114 | LOCK WASHER 12MM |
| 115 | P0826115 | FLAT WASHER 12MM |
| 116 | P0826116 | SLIDING T-HANDLE 150MM |
| 117 | P0826117 | ELEVATION LEADSCREW |
| 118 | P0826118 | FINNED ANCHOR M8-1.25 |
| 119 | P0826119 | FLAT WASHER 8MM |
| 120 | P0826120 | CAP SCREW M8-1.25 X 25 |
| 121 | P0826121 | COLUMN CAP |
| 122 | P0826122 | LEADSCREW BUSHING |
| 123 | P0826123 | FLAT WASHER 17 X 30 X 0.5 |
| 124 | P0826124 | ELEVATION HANDLE ARM 130L |

| REF | PART # | DESCRIPTION |
|------|-----------|--------------------------------|
| 125 | P0826125 | ROLL PIN 6 X 36 |
| 126A | P0826126A | ELEVATION HANDLE ASSEMBLY |
| 126 | P0826126 | ELEVATION HANDLE 10, 25 X 69 |
| 127 | P0826127 | CAP SCREW M10-1.5 X 85 |
| 128 | P0826128 | HEX NUT M10-1.5 |
| 129 | P0826129 | ROLL PIN 6 X 36 |
| 130 | P0826130 | HANDWHEEL TYPE-17 160D |
| 131 | P0826131 | PINION |
| 132 | P0826132 | SET SCREW M8-1.25 X 25 |
| 133 | P0826133 | LOCK WASHER 8MM |
| 134 | P0826134 | HEX NUT M8-1.25 |
| 135 | P0826135 | OVER-ARM SHAFT 720MM |
| 136 | P0826136 | OVERARM SHAFT RACK 650MM |
| 137 | P0826137 | CAP SCREW M5-.8 X 10 |
| 138 | P0826138 | ANGLE DIAL SCALE |
| 139 | P0826139 | PHLP HD SCR M4-.7 X 15 |
| 140 | P0826140 | HEX NUT M4-.7 |
| 141 | P0826141 | UPPER ELBOW JOINT |
| 142 | P0826142 | CORD RETAINER PLUG |
| 143 | P0826143 | LOCK WASHER 10MM |
| 144 | P0826144 | HEX BOLT M10-1.5 X 50 |
| 145 | P0826145 | POINTER PANEL |
| 146 | P0826146 | STANDOFF STUD M16-2 |
| 147 | P0826147 | T-HANDLE, 150MM W/HOLE FOR PIN |
| 148 | P0826148 | ROLL PIN 6 X 22 |



Labels & Cosmetics



| REF | PART # | DESCRIPTION |
|-------|------------|------------------------------|
| 201 | P0826201 | ELECTRICITY LABEL |
| 202 | P0826202 | WATER EXPOSURE WARNING LABEL |
| 203 | P0826203 | OPERATION WARNING LABEL |
| 204V2 | P0826204V2 | MACHINE ID LABEL V2.05.20 |

| REF | PART # | DESCRIPTION |
|-----|----------|--------------------------------|
| 205 | P0826205 | GRIZZLY OVAL LOGO LABEL |
| 206 | P0826206 | LUBRICATION NOTICE |
| 207 | P0826207 | ENTANGLEMENT/READ/UNPLUG LABEL |
| 208 | P0826208 | TOUCH-UP PAINT, GRIZZLY GREEN |

⚠️ WARNING

Safety labels help reduce the risk of serious injury caused by machine hazards. If any label comes off or becomes unreadable, the owner of this machine **MUST** replace it in the original location before resuming operations. For replacements, contact (800) 523-4777 or www.grizzly.com.

