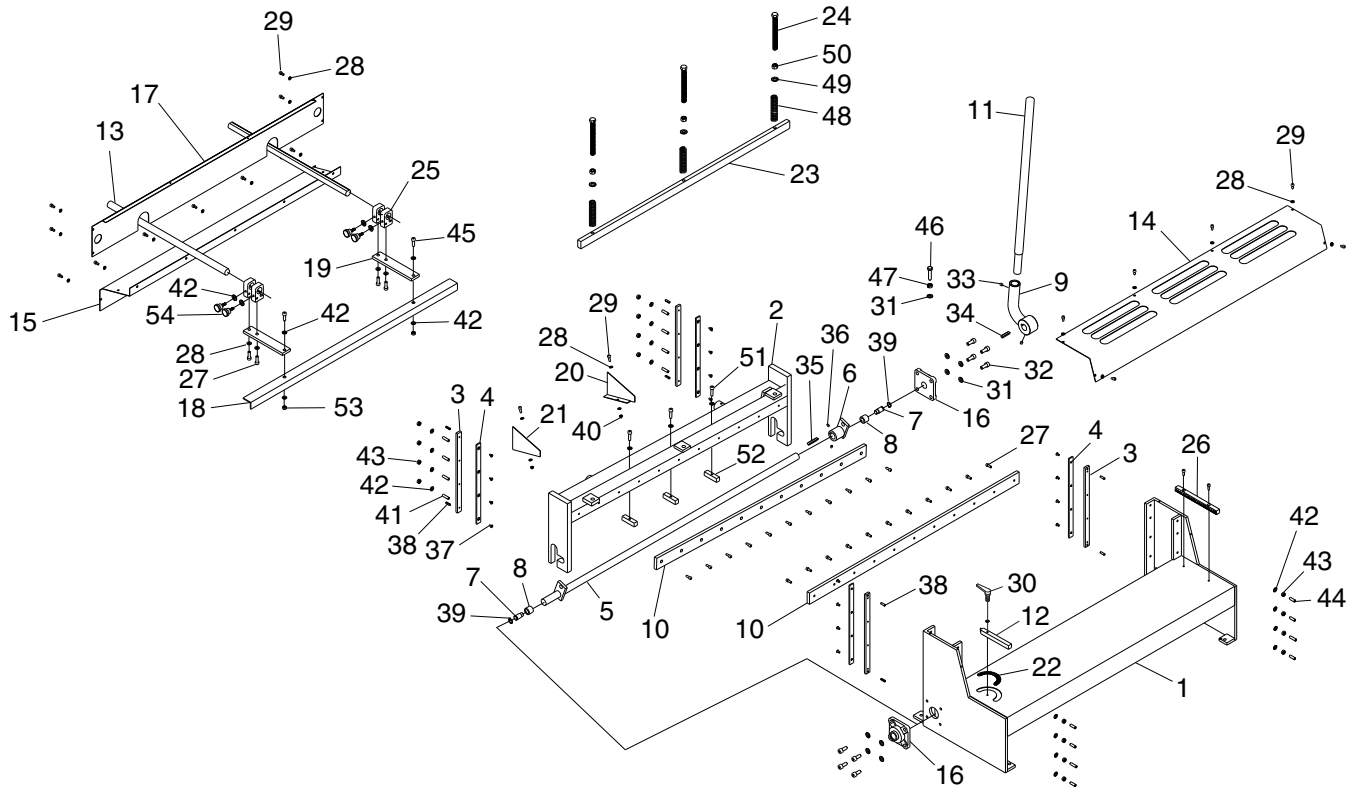


# G0829 Parts



## REF PART # DESCRIPTION

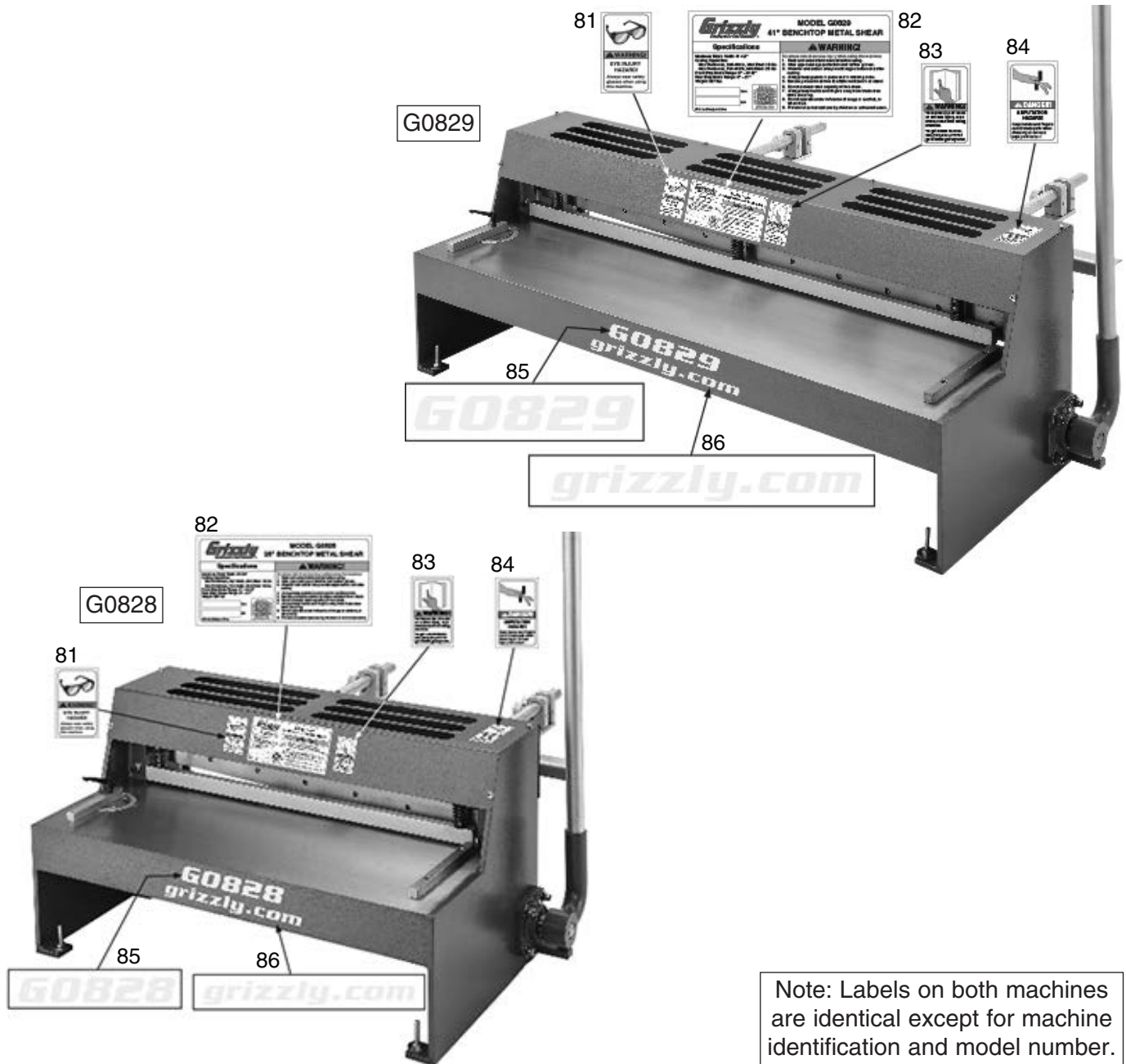
1	P0829001	FRAME
2	P0829002	UPPER BLADE FRAME
3	P0829003	PLATE 8 X 20 X 350 STEEL
4	P0829004	GIB 4 X 20 X 350 COPPER
5	P0829005	CAM COUPLER
6	P0829006	CAM
7	P0829007	CAM SHAFT
8	P0829008	CAM RING
9	P0829009	CAM SHAFT LEVER
10	P0829010	BLADE 11 X 50 X 1075MM
11	P0829011	CUTTING LEVER 30 X 800MM
12	P0829012	ANGLE CUTTING GUIDE
13	P0829013	REAR SUPPORT ROD
14	P0829014	BLADE GUARD
15	P0829015	LOWER COVER
16	P0829016	PILLOW BEARING UCF205
17	P0829017	UPPER COVER
18	P0829018	REAR STOP PLATE
19	P0829019	REAR STOP SLIDER PLATE
20	P0829020	LOWER COVER PANEL (L)
21	P0829021	LOWER COVER PANEL (R)
22	P0829022	ANGLE CUTTING SCALE
23	P0829023	HOLD-DOWN BAR
24	P0829024	HEX BOLT M12-1.75 X 145
25	P0829025	REAR STOP SLIDER BRACKET (ALUM)
26	P0829026	90° GUIDE
27	P0829027	CAP SCREW M6-1 X 16 SS

## REF PART # DESCRIPTION

28	P0829028	FLAT WASHER 6MM
29	P0829029	CAP SCREW M6-1 X 12 SS
30	P0829030	ADJUSTABLE HANDLE 49L, M6-1 X 25
31	P0829031	FLAT WASHER 10MM
32	P0829032	CAP SCREW M10-1.5 X 25
33	P0829033	SET SCREW M8-1.25 X 10
34	P0829034	KEY 8 X 8 X 40
35	P0829035	KEY 8 X 8 X 50
36	P0829036	SET SCREW M6-1 X 10
37	P0829037	FLAT HD SCR M5-.8 X 10
38	P0829038	ROLL PIN 6 X 20
39	P0829039	SHAFT SPACER 16MM
40	P0829040	HEX NUT M6-1
41	P0829041	SET SCREW M8-1.25 X 30
42	P0829042	FLAT WASHER 8MM
43	P0829043	HEX NUT M8-1.25
44	P0829044	SET SCREW M8-1.25 X 25
45	P0829045	CAP SCREW M8-1.25 X 25
46	P0829046	HEX BOLT M10-1.5 X 45
47	P0829047	HEX NUT M10-1.5
48	P0829048	COMPRESSION SPRING 3 X 22 X 94
49	P0829049	FLAT WASHER 12MM
50	P0829050	HEX NUT M12-1.75
51	P0829051	SET SCREW M8-1.25 X 30
52	P0829052	RETAINING BLOCK
53	P0829053	LOCK NUT M8-1.25
54	P0829054	KNURLED THUMB SCREW M8-1.25 X 45



# Labels & Cosmetics



Note: Labels on both machines are identical except for machine identification and model number.

REF	PART #	DESCRIPTION
81	P0828081	SAFETY GLASSES LABEL
82	P0828082	MACHINE ID LABEL (G0828)
82	P0829082	MACHINE ID LABEL (G0829)
83	P0828083	READ MANUAL LABEL
84	P0828084	AMPUTATION DANGER LABEL

REF	PART #	DESCRIPTION
85	P0828085	MODEL NUMBER LABEL (G0828)
85	P0829085	MODEL NUMBER LABEL (G0829)
86	P0828086	GRIZZLY.COM LABEL
87	P0828087	TOUCH-UP PAINT, GRIZZLY GREEN

**⚠ WARNING**

Safety labels help reduce the risk of serious injury caused by machine hazards. If any label comes off or becomes unreadable, the owner of this machine **MUST** replace it in the original location before resuming operations. For replacements, contact (800) 523-4777 or [www.grizzly.com](http://www.grizzly.com).

