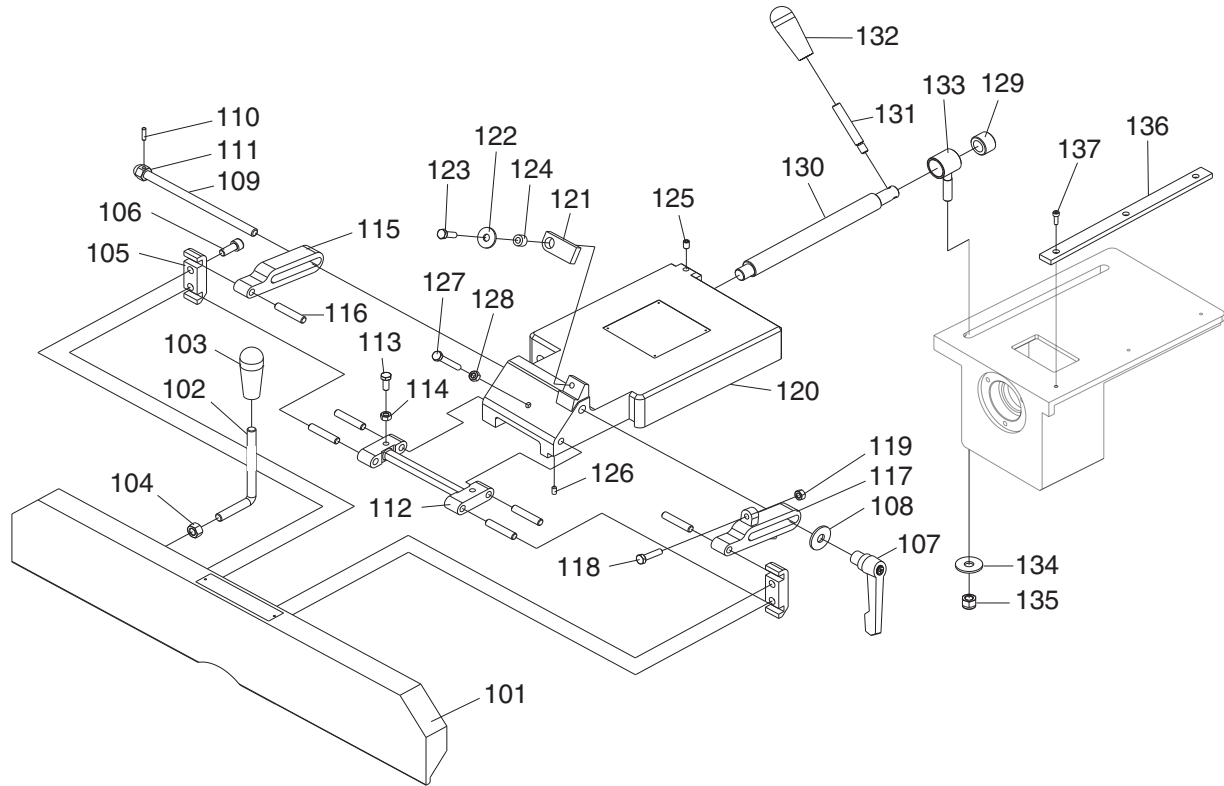


# SECTION 9: PARTS

## Fence



### REF PART # DESCRIPTION

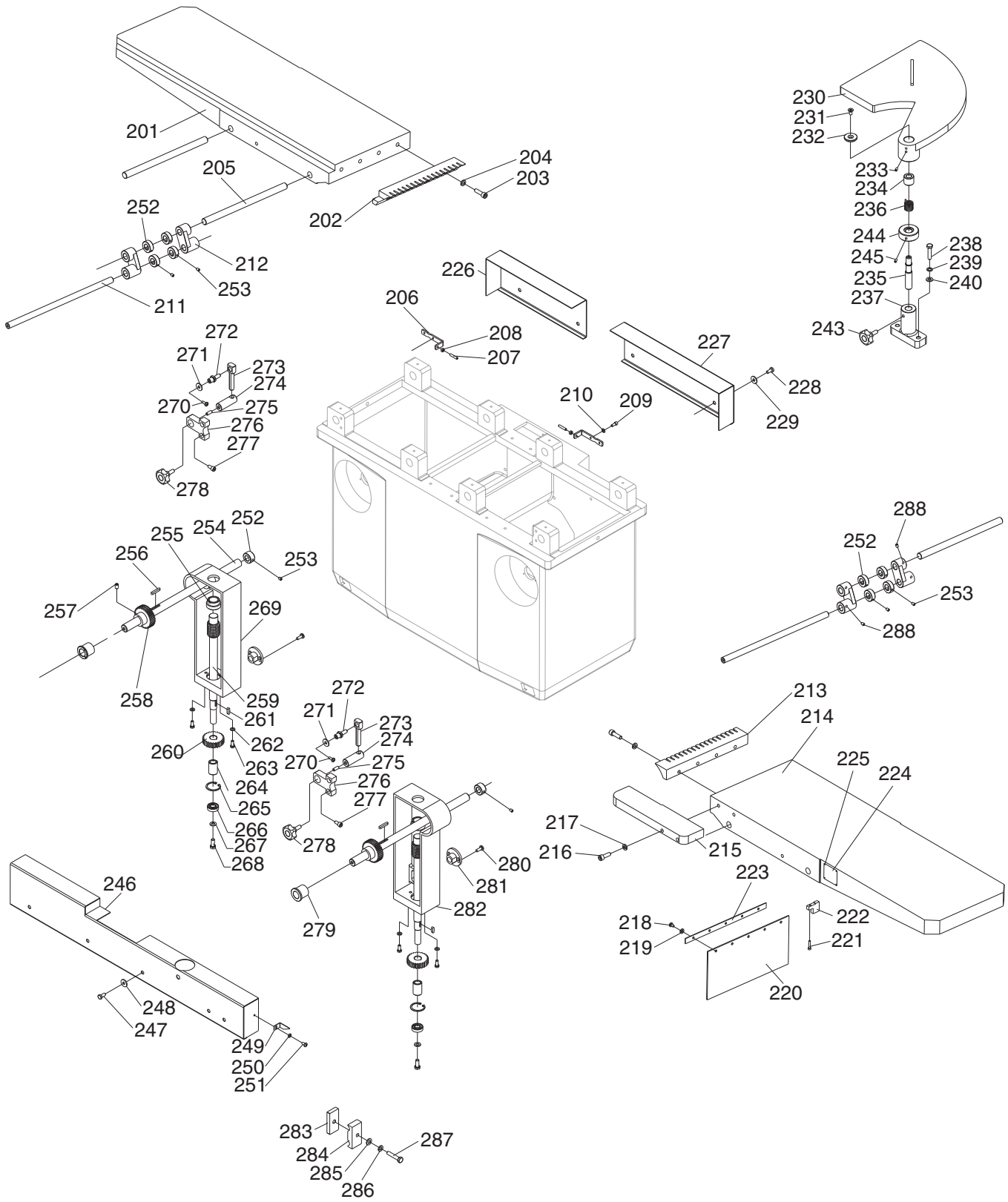
101	P0834101	FENCE
102	P0834102	ANGLE STUD 32MM X 82MM
103	P0834103	TAPERED HANDLE M12-1.75
104	P0834104	HEX NUT M12-1.75
105	P0834105	CLAMP
106	P0834106	CAP SCREW M10-1.5 X 25
107	P0834107	ADJUSTABLE HANDLE 110L, M10-1.5
108	P0834108	FLAT WASHER 35MM
109	P0834109	STUD-DE M12 X 1.75
110	P0834110	ROLL PIN 5 X 20
111	P0834111	HEX NUT M12-1.75
112	P0834112	SUPPORT BRACKET
113	P0834113	HEX BOLT M8-1.25 X 20
114	P0834114	HEX NUT M8-1.25
115	P0834115	BRACKET (LEFT)
116	P0834116	ROLL PIN 10 X 52
117	P0834117	BRACKET (RIGHT)
118	P0834118	HEX BOLT M8-1.25 X 35
119	P0834119	HEX NUT M8-1.25

### REF PART # DESCRIPTION

120	P0834120	FENCE CARRIAGE
121	P0834121	STOP BLOCK
122	P0834122	FLAT WASHER 8MM
123	P0834123	HEX BOLT M8-1.25 X 25
124	P0834124	BUSHING 8.5MM X 12MM
125	P0834125	SET SCREW M8-1.25 X 12
126	P0834126	SET SCREW M6-1 X 12
127	P0834127	HEX BOLT M8-1.25 X 55
128	P0834128	HEX NUT M8-1.25
129	P0834129	COLLAR
130	P0834130	ECCENTRIC SHAFT
131	P0834131	STUD-UDE M12-1.75 X 20, M10-1.5 X 15, 80L
132	P0834132	TAPERED HANDLE M12-1.75
133	P0834133	SLIDING BUSHING
134	P0834134	FLAT WASHER 12MM
135	P0834135	LOCK NUT M12-1.75
136	P0834136	FENCE KEY
137	P0834137	CAP SCREW M5-.8 X 14



# Table



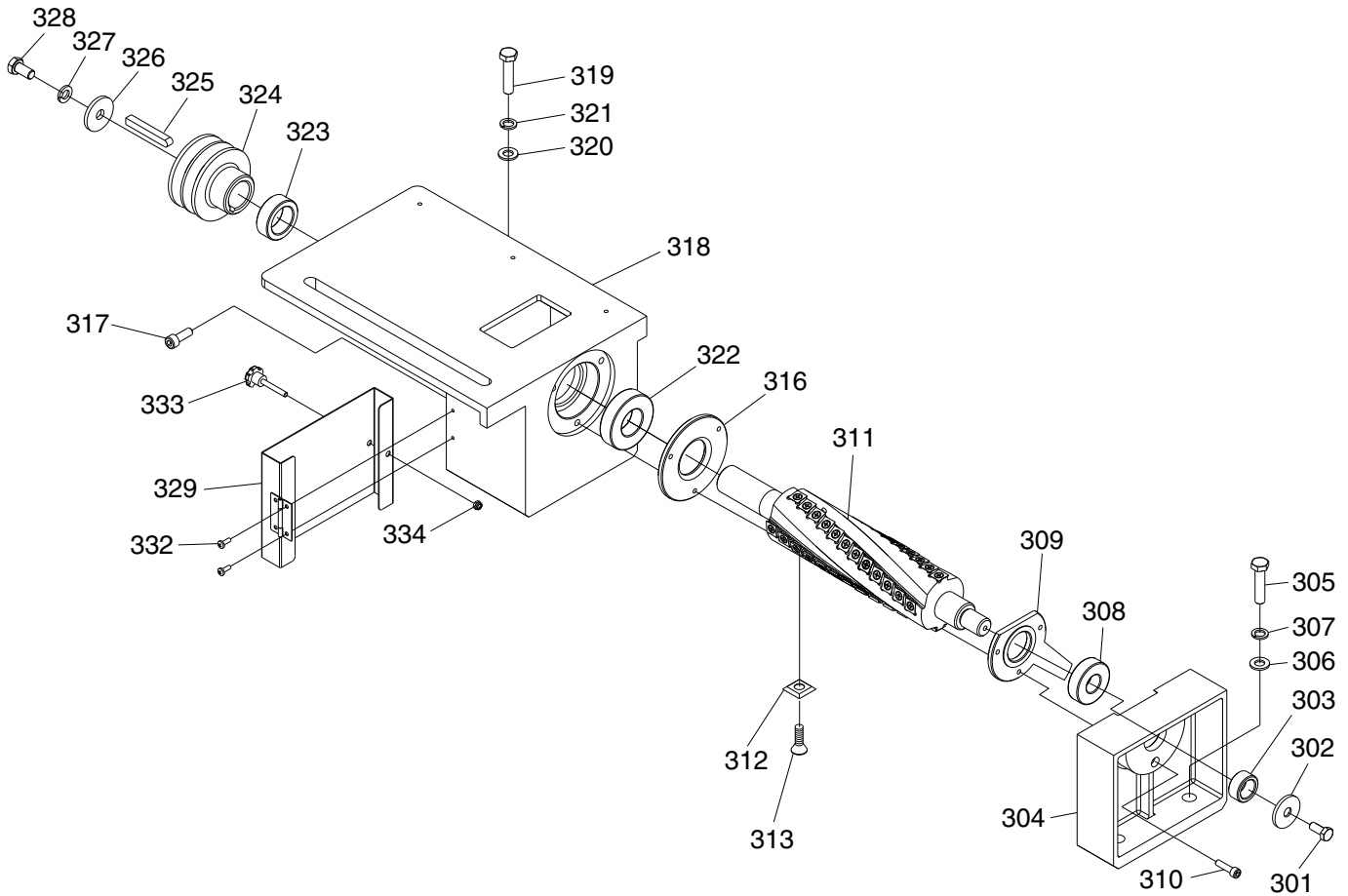
# Table Parts List

REF	PART #	DESCRIPTION
201	P0834201	OUTFEED TABLE
202	P0834202	OUTFEED TABLE LIP
203	P0834203	CAP SCREW M10-1.5 X 35
204	P0834204	LOCK WASHER 10MM
205	P0834205	TABLE SPINDLE 20 X 330MM
206	P0834206	STOP PLATE
207	P0834207	SET SCREW M8-1.25 X 25
208	P0834208	HEX NUT M8-1.25
209	P0834209	CAP SCREW M6-1 X 16
210	P0834210	FLAT WASHER 6MM
211	P0834211	TABLE HEIGHT SPINDLE 20 X 470MM
212	P0834212	SMALL TABLE SUPPORT
213	P0834213	INFEED TABLE LIP
214	P0834214	INFEED TABLE
215	P0834215	RABBETING ARM
216	P0834216	CAP SCREW M10-1.5 X 30
217	P0834217	LOCK WASHER 10MM
218	P0834218	CAP SCREW M6-1 X 10
219	P0834219	FLAT WASHER 6MM
220	P0834220	DUST DEFLECTOR
221	P0834221	CAP SCREW M5-.8 X 25
222	P0834222	STOP BLOCK
223	P0834223	MOUNTING BAR
224	P0834224	DEPTH OF CUT SCALE
225	P0834225	NAMEPLATE RIVET 2 X 4
226	P0834226	OUTFEED TABLE REAR COVER
227	P0834227	INFEED TABLE REAR COVER
228	P0834228	HEX BOLT M8-1.25 X 12
229	P0834229	FLAT WASHER 8MM
230	P0834230	CUTTERHEAD GUARD
231	P0834231	FLAT HD SCR M8-1.25 X 16
232	P0834232	GUARD WASHER 15MM
233	P0834233	SET SCREW M6-1 X 12
234	P0834234	ADAPTER BUSHING
235	P0834235	SHAFT
236	P0834236	TORSION SPRING
237	P0834237	GUARD MOUNT
238	P0834238	CAP SCREW M10-1.5 X 35
239	P0834239	FLAT WASHER 10MM
240	P0834240	LOCK WASHER 10MM
243	P0834243	KNOB M10-1.5 X 25 6-LOBE
244	P0834244	SHAFT COLLAR
245	P0834245	SET SCREW M6-1 X 12

REF	PART #	DESCRIPTION
246	P0834246	FRONT TABLE COVER
247	P0834247	HEX BOLT M8-1.25 X 12
248	P0834248	FLAT WASHER 8MM
249	P0834249	POINTER
250	P0834250	FLAT WASHER 6MM
251	P0834251	PHLP HD SCR M6-1 X 12
252	P0834252	SLIDE STOP BLOCK 20 x 35
253	P0834253	SET SCREW M6-1 X 12
254	P0834254	SHAFT GEAR
255	P0834255	STOP BLOCK
256	P0834256	KEY 5 X 5 X 30
257	P0834257	SET SCREW M8-1.25 X 10
258	P0834258	WORM GEAR 46T
259	P0834259	DOUBLE-END WORM GEAR
260	P0834260	GEAR 24T
261	P0834261	KEY 4 X 4 X 16
262	P0834262	FLAT WASHER 6MM
263	P0834263	HEX BOLT M6-1 X 12
264	P0834264	BUSHING
265	P0834265	INT RETAINING RING 35MM
266	P0834266	BALL BEARING 6202ZZ
267	P0834267	FLAT WASHER 8MM
268	P0834268	HEX BOLT M8-1.25 X 12
269	P0834269	WORM GEAR HOUSING (LEFT)
270	P0834270	CAP SCREW M6-1 X 10
271	P0834271	FLAT WASHER 6MM
272	P0834272	SHOULDER SCREW M10-1.5 X 25
273	P0834273	TABLE LOCK ROD SHAFT
274	P0834274	TABLE LOCK ROD BLOCK
275	P0834275	ROLL PIN 8 X 40
276	P0834276	TABLE LOCK HOUSING
277	P0834277	CAP SCREW M8-1.25 X 25
278	P0834278	KNOB M10-1.5 X 16 6-LOBE
279	P0834279	ECCENTRIC BUSHING
280	P0834280	FLAT HD SCR M16-2 X 1
281	P0834281	SLIDING STOP BLOCK
282	P0834282	WORM GEAR HOUSING (RIGHT)
283	P0834283	CLAMPING BLOCK (OUTER)
284	P0834284	CLAMP BLOCK (INNER)
285	P0834285	FLAT WASHER 10MM
286	P0834286	LOCK WASHER 10MM
287	P0834287	HEX BOLT M10-1.5 X 50
288	P0834288	SET SCREW M6-1 X 10



# Cutterhead

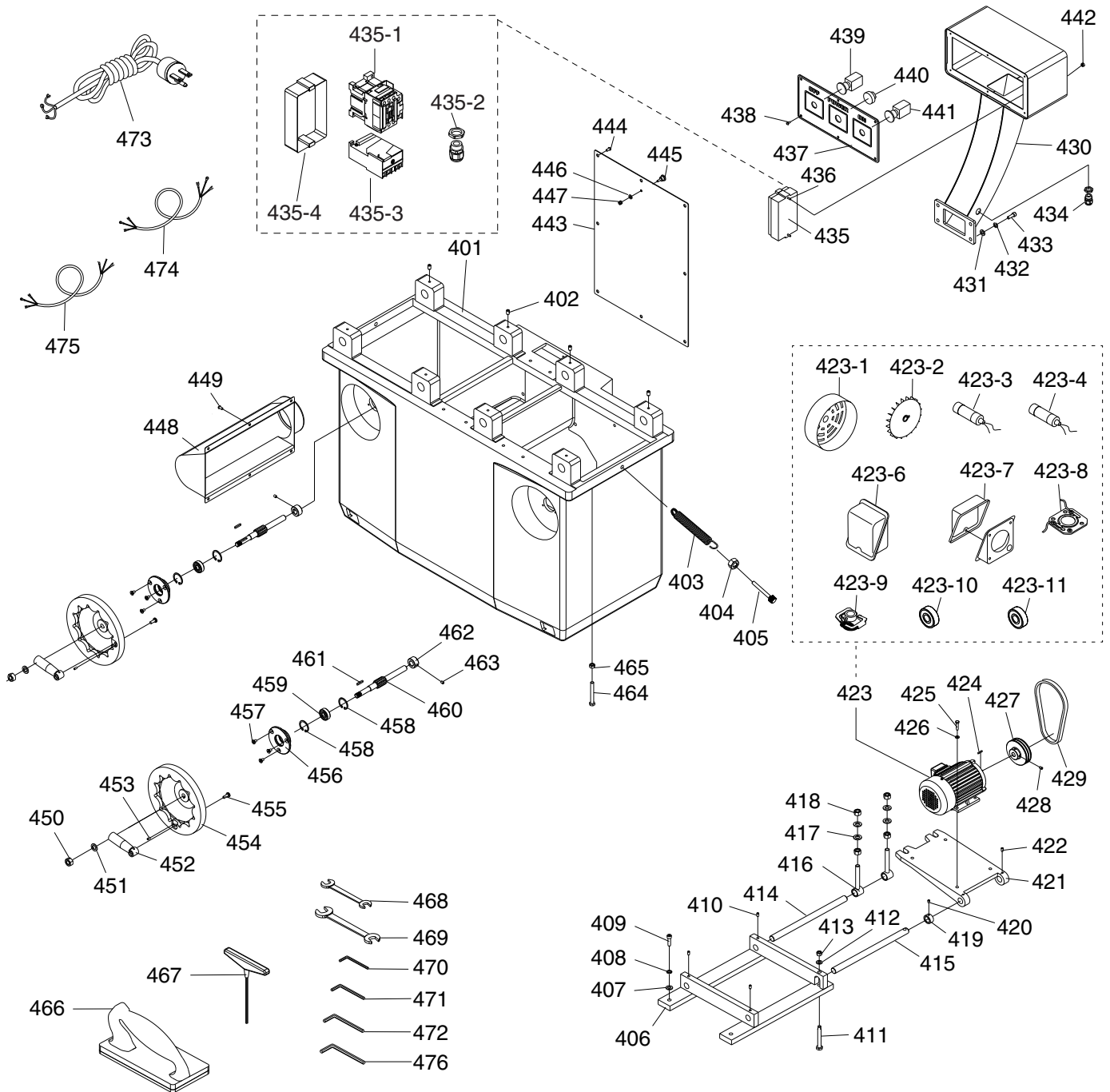


REF	PART #	DESCRIPTION
301	P0834301	HEX BOLT M8-1.25 X 20
302	P0834302	FENDER WASHER 8MM
303	P0834303	FRONT CUTTERHEAD BUSHING
304	P0834304	FRONT BEARING SUPPORT
305	P0834305	HEX BOLT M10-1.5 X 35
306	P0834306	FLAT WASHER 10MM
307	P0834307	LOCK WASHER 10MM
308	P0834308	BALL BEARING 6204ZZ
309	P0834309	FRONT BEARING COVER
310	P0834310	CAP SCREW M6-1 X 25
311	P0834311	CUTTERHEAD 12" SPIRAL
312	P0834312	INDEXABLE INSERT 15 X 15 X 2.5MM
313	P0834313	FLAT HD TORX T20 M6-1 X 15
316	P0834316	REAR BEARING SUPPORT
317	P0834317	CAP SCREW M6-1 X 25

REF	PART #	DESCRIPTION
318	P0834318	CARRIAGE MOUNT
319	P0834319	HEX BOLT M10-1.5 X 35
320	P0834320	FLAT WASHER 10MM
321	P0834321	LOCK WASHER 10MM
322	P0834322	BALL BEARING 6206ZZ
323	P0834323	REAR CUTTERHEAD BUSHING
324	P0834324	CUTTERHEAD PULLEY
325	P0834325	KEY 8 X 8 X 60
326	P0834326	FENDER WASHER 10MM
327	P0834327	LOCK WASHER 10MM
328	P0834328	HEX BOLT M10-1.5 X 20
329	P0834329	REAR CUTTERHEAD DOOR
332	P0834332	TAP SCREW M4 X 10
333	P0834333	KNOB BOLT M5-.8 X 60
334	P0834334	LOCK NUT M5-.8



# Stand & Tools



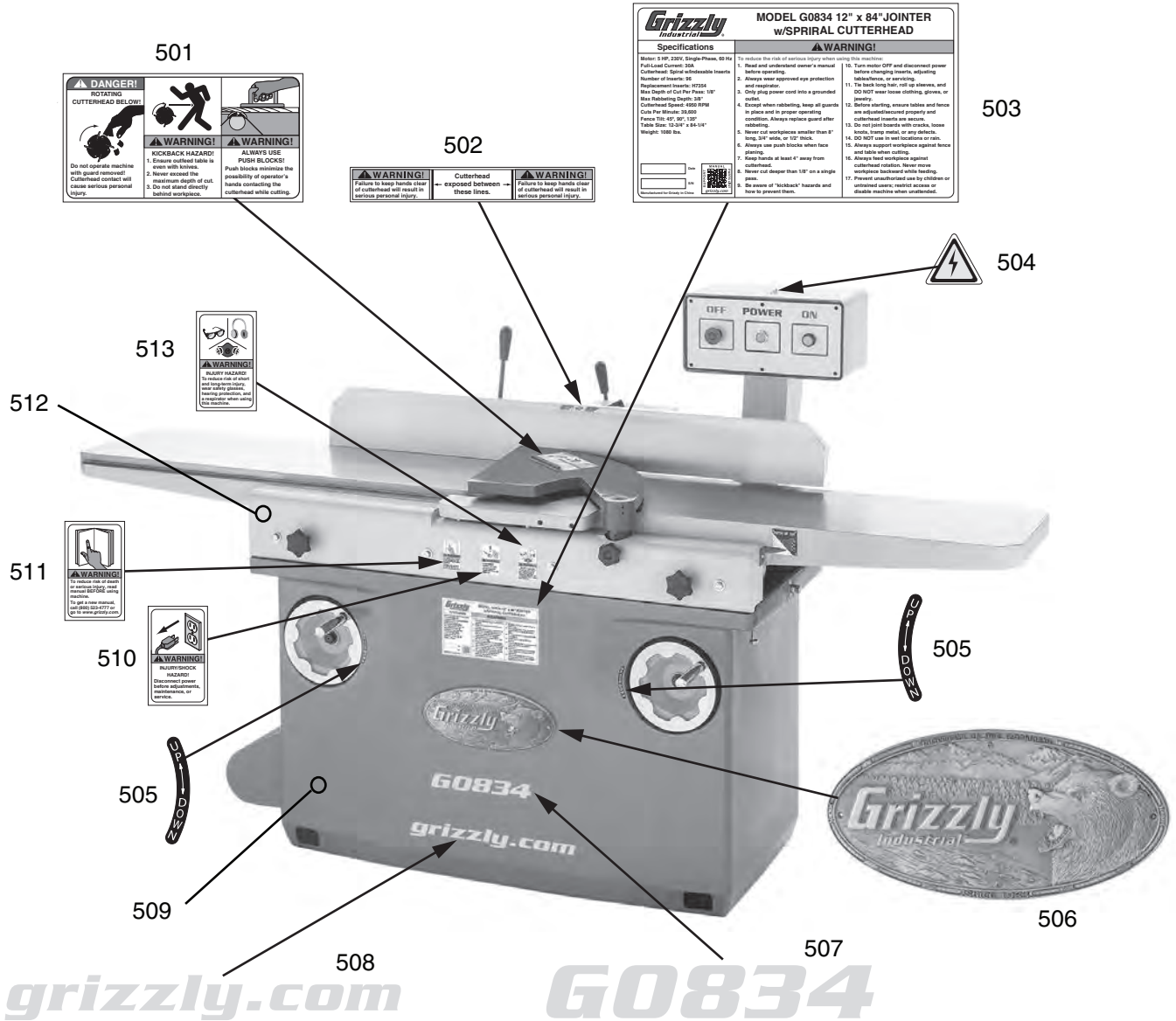
# Stand & Tools Parts List

REF	PART #	DESCRIPTION
401	P0834401	CABINET
402	P0834402	SET SCREW M8-1.25 X 12
403	P0834403	EXTENSION SPRING
404	P0834404	HEX NUT M10-1.5
405	P0834405	KNURLED KNOB BOLT M10-1.5 X 48
406	P0834406	MOTOR BRACKET
407	P0834407	FLAT WASHER 10MM
408	P0834408	LOCK WASHER 10MM
409	P0834409	CAP SCREW M8-1.25 X 12
410	P0834410	SET SCREW M8-1.25 X 12
411	P0834411	ELEVATION BOLT M10-1.5 X 80
412	P0834412	FLAT WASHER 10MM
413	P0834413	HEX NUT M10-1.5
414	P0834414	PLATE CONNECTING ROD (LEFT)
415	P0834415	PLATE CONNECTING ROD (RIGHT)
416	P0834416	TENSION ROD M12-1.75 X 85
417	P0834417	FLAT WASHER 12MM
418	P0834418	HEX NUT M12-1.75
419	P0834419	COLLAR
420	P0834420	SET SCREW M6-1 X 8
421	P0834421	MOTOR MOUNT PLATE
422	P0834422	SET SCREW M6-1 X 12
423	P0834423	MOTOR 5HP 240V 1-PH
423-1	P0834423-1	MOTOR FAN COVER
423-2	P0834423-2	MOTOR FAN
423-3	P0834423-3	S CAPACITOR 300UF 300V 2-1/4" X 3-3/4"
423-4	P0834423-4	R CAPACITOR 60UF 450V 2-1/4" X 5"
423-6	P0834423-6	CAPACITOR BOX
423-7	P0834423-7	MOTOR JUNCTION BOX
423-8	P0834423-8	CONTACT PLATE
423-9	P0834423-9	CENTRIFUGAL SWITCH
423-10	P0834423-10	BALL BEARING 6204ZZ
423-11	P0834423-11	BALL BEARING 6206ZZ
424	P0834424	KEY 8 X 8 X 40
425	P0834425	HEX BOLT M10-1.5 X 30
426	P0834426	FLAT WASHER 10.5 X 24 X 3
427	P0834427	MOTOR PULLEY
428	P0834428	SET SCREW M10-1.5 X 12
429	P0834429	V-BELT A1194
430	P0834430	CONTROL PANEL PEDESTAL
431	P0834431	CAP SCREW M10-1.5 X 25
432	P0834432	LOCK WASHER 10MM
433	P0834433	FLAT WASHER 10MM
434	P0834434	STRAIN RELIEF TYPE-3 M20-1.5
435	P0834435	MAGNETIC SWITCH

REF	PART #	DESCRIPTION
435-1	P0834435-1	CONTACTOR NHD C-35D
435-2	P0834435-2	STRAIN RELIEF TYPE-3 M16 X 1.5
435-3	P0834435-3	OL RELAY NHD NTH-28 24-28A
435-4	P0834435-4	MAGNETIC SWITCH BACK COVER
436	P0834436	PHLP HD SCR M5-.8 X 10
437	P0834437	CONTROL PANEL FACEPLATE
438	P0834438	PHLP HD SCR M5-.8 X 10
439	P0834439	STOP BUTTON NHD NLB22-R
440	P0834440	POWER LIGHT PEOPLE AD11-25/40
441	P0834441	START BUTTON NHD NLB22-E
442	P0834442	ACORN NUT M5-.8
443	P0834443	REAR ACCESS PANEL
444	P0834444	BUTTON HD CAP SCR M6-1 X 10
445	P0834445	KNOB BOLT M5-.8 X 16 5-LOBE
446	P0834446	FLAT WASHER 6MM
447	P0834447	HEX NUT M5-.8
448	P0834448	DUST PORT 5"
449	P0834449	BUTTON HD CAP SCR M6-1 X 10
450	P0834450	HEX NUT M12-1.75
451	P0834451	FLAT WASHER 12MM
452	P0834452	FOLDING HANDWHEEL HANDLE
453	P0834453	ROLL PIN 4 X 10
454	P0834454	HANDWHEEL TYPE-11 184D X 12B X M6
455	P0834455	FLANGE SCREW M6-1 X 16
456	P0834456	BEARING SUPPORT
457	P0834457	FLAT HD SCR M6-1 X 8
458	P0834458	INT RETAINING RING 35MM
459	P0834459	BALL BEARING 6201ZZ
460	P0834460	SPIRAL GEAR SHAFT
461	P0834461	KEY 4 X 4 X 20
462	P0834462	LOCK COLLAR 14 X 428 X 15MM
463	P0834463	SET SCREW M8-1.25 X 8
464	P0834464	HEX BOLT M10-1.5 X 130
465	P0834465	HEX NUT M10-1.5
466	P0834466	PUSH BLOCK
467	P0834467	T-HANDLE WRENCH 4MM
468	P0834468	WRENCH 12 X 14 OPEN-ENDS
469	P0834469	WRENCH 17 X 19 OPEN-ENDS
470	P0834470	HEX WRENCH 3MM
471	P0834471	HEX WRENCH 4MM
472	P0834472	HEX WRENCH 5MM
473	P0834473	POWER CORD 12G 3W 72" L6-30P
474	P0834474	CONTROL PANEL CORD 14G 5W 24"
475	P0834475	MOTOR CORD 12G 3W 48"
476	P0834476	HEX WRENCH 8MM



# Labels & Cosmetics



REF	PART #	DESCRIPTION
501	P0834501	MACHINE HAZARDS LABEL
502	P0834502	CUTTERHEAD WARNING LABEL
503	P0834503	MACHINE ID LABEL
504	P0834504	ELECTRICITY LABEL
505	P0834505	UP-DOWN LABEL
506	P0834506	GRIZZLY NAME PLATE (LARGE)
507	P0834507	MODEL NUMBER LABEL

REF	PART #	DESCRIPTION
508	P0834508	GRIZZLY.COM LABEL
509	P0834509	TOUCH-UP PAINT, GRIZZLY GREEN
510	P0834510	INJURY/SHOCK HAZARD LABEL
511	P0834511	READ MANUAL LABEL
512	P0834512	TOUCH-UP PAINT, GREY PUTTY
513	P0834513	EYE/HEARING/LUNG WARNING LABEL

**⚠ WARNING**

Safety labels warn about machine hazards and ways to prevent injury. The owner of this machine **MUST** maintain the original location and readability of the labels on the machine. If any label is removed or becomes unreadable, **REPLACE** that label before using the machine again. Contact Grizzly at (800) 523-4777 or [www.grizzly.com](http://www.grizzly.com) to order new labels.

