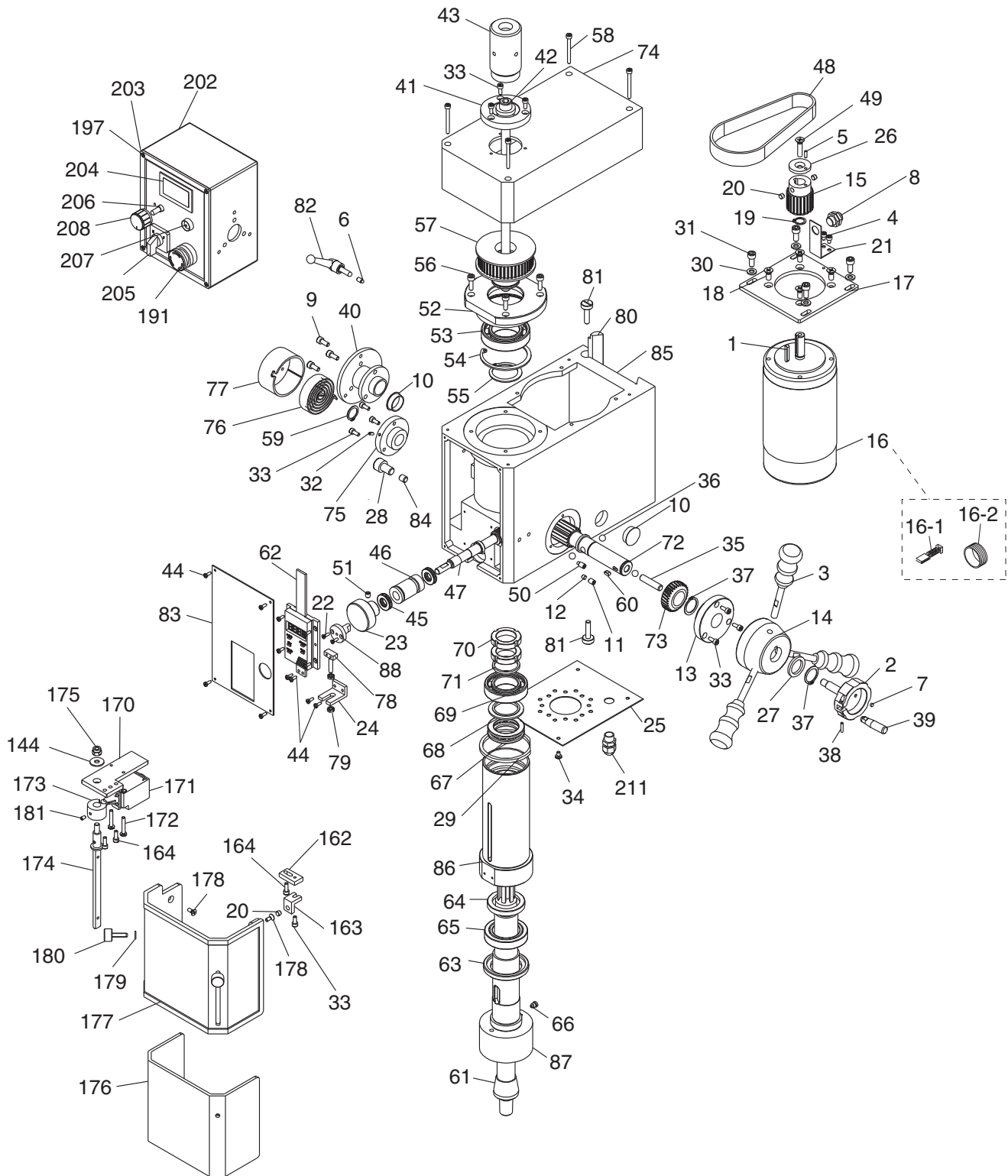


SECTION 9: PARTS

Headstock Parts



Headstock Parts List

| REF | PART # | DESCRIPTION |
|------|------------|--|
| 1 | P0836001 | KEY 4 X 4 X 25 |
| 2 | P0836002 | DOWNFEED SELECTOR KNOB 52D X 63L, M10-1.5 X 60 |
| 3 | P0836003 | HANDLE M8-1.25 X 12, 128L |
| 4 | P0836004 | CAP SCREW M4-.7 X 6 |
| 5 | P0836005 | PIN 3 X 10 |
| 6 | P0836006 | LOCKING ROD |
| 7 | P0836007 | MAGNET 4 X 2 |
| 8 | P0836008 | RPM SENSOR |
| 9 | P0836009 | CAP SCREW M5-.8 X 12 |
| 10 | P0836010 | END CAP |
| 11 | P0836011 | SET SCREW M6-1 X 8 |
| 12 | P0836012 | ECCENTRIC SLEEVE LOCK BLOCK |
| 13 | P0836013 | GEAR SHAFT SUPPORTING FLANGE (RIGHT) |
| 14 | P0836014 | HANDLE SEAT WHEEL M8-1.25 |
| 15 | P0836015 | MOTOR TIMING GEAR |
| 16 | P0836016 | DC MOTOR 1HP, 110V |
| 16-1 | P0836016-1 | CAP AND BRUSHES |
| 17 | P0836017 | MOTOR CONNECT PLATE |
| 18 | P0836018 | FLAT HD SCR M6-1 X 14 |
| 19 | P0836019 | EXT RETAINING RING 12MM |
| 20 | P0836020 | ROUND MAGNET 6MM |
| 21 | P0836021 | RPM SENSOR SUPPORT |
| 22 | P0836022 | FLAT HD SCR M3-.5 X 10 |
| 23 | P0836023 | FINE DOWNFEED KNOB 40D |
| 24 | P0836024 | MOUNTING BRACKET |
| 25 | P0836025 | BASE PLATE |
| 26 | P0836026 | WASHER 7 X 28 X 4 |
| 27 | P0836027 | GEAR SHAFT ADJUSTING WASHER 20 X 28 X 4 |
| 28 | P0836028 | CAP SCREW M10-1.5 X 16 |
| 29 | P0836029 | SLEEVE LIMIT WASHER |
| 30 | P0836030 | FLAT WASHER 6MM |
| 31 | P0836031 | CAP SCREW M6-1 X 14 |
| 32 | P0836032 | ROLL PIN 3 X 8 |
| 33 | P0836033 | CAP SCREW M4-.7 X 10 |
| 34 | P0836034 | PHLP HD SCR M4-.7 X 6 |
| 35 | P0836035 | LOCK SHAFT |
| 36 | P0836036 | STEEL BALL 8MM |
| 37 | P0836037 | EXT RETAINING RING 20MM |
| 38 | P0836038 | PIN 3 X 14 |
| 39 | P0836039 | HANDLE 10D X 41L |
| 40 | P0836040 | TORSION SPRING SUPPORT |
| 41 | P0836041 | DUST SHIELD (BASE) |
| 42 | P0836042 | SPINDLE TIMING SHAFT |
| 43 | P0836043 | DUST SHIELD (CYLINDRICAL) |
| 44 | P0836044 | PHLP HD SCR M3-.5 X 8 |
| 45 | P0836045 | THRUST BALL BEARING 12 X 22 X 5 |
| 46 | P0836046 | WORM ECCENTRIC SLEEVE |
| 47 | P0836047 | WORM SHAFT |
| 48 | P0836048 | TIMING BELT 3M-342-15 |
| 49 | P0836049 | FLAT HD SCR M6-1 X 25 |
| 50 | P0836050 | SET SCREW M6-1 X 12 |
| 51 | P0836051 | SET SCREW M6-1 X 6 |
| 52 | P0836052 | BEARING SEAT |
| 53 | P0836053 | DEEP-GROOVE BALL BEARING 80107 |
| 54 | P0836054 | INT RETAINING RING 62MM |
| 55 | P0836055 | EXT RETAINING RING 35MM |
| 56 | P0836056 | CAP SCREW M5-.8 X 16 |
| 57 | P0836057 | SPINDLE TIMING PULLEY |

| REF | PART # | DESCRIPTION |
|-----|----------|--------------------------------|
| 58 | P0836058 | CAP SCREW M4-.7 X 40 |
| 59 | P0836059 | EXT RETAINING RING 16MM |
| 60 | P0836060 | KEY 4 X 4 X 8 |
| 61 | P0836061 | TAPER SHANK JT6 |
| 62 | P0836062 | SPINDLE DEPTH DRO |
| 63 | P0836063 | SPINDLE LOWER OIL SEAL 1 |
| 64 | P0836064 | SPINDLE LOWER OIL SEAL 2 |
| 65 | P0836065 | TAPER ROLLER BEARING 32907 |
| 66 | P0836066 | CYLINDRICAL KEY W/SHOULDER |
| 67 | P0836067 | THRUST BALL BEARING 8106 |
| 68 | P0836068 | SPINDLE UPPER WASHER 2 |
| 69 | P0836069 | DEEP GROOVE BALL BEARING 80106 |
| 70 | P0836070 | SPANNER NUT |
| 71 | P0836071 | SPINDLE UPPER WASHER 1 |
| 72 | P0836072 | GEAR SHAFT |
| 73 | P0836073 | BEVEL WHEEL |
| 74 | P0836074 | BOX COVER |
| 75 | P0836075 | GEAR SHAFT FLANGE (LEFT) |
| 76 | P0836076 | TORSION SPRING |
| 77 | P0836077 | TORSION SPRING COVER |
| 78 | P0836078 | SQUARE SCREW M5-.8 X 22 |
| 79 | P0836079 | HEX NUT M5-.8 |
| 80 | P0836080 | Z-AXIS GIB |
| 81 | P0836081 | GIB SCREW M6-1 X 24 |
| 82 | P0836082 | Z-AXIS LOCK HANDLE M6-1 X 25 |
| 83 | P0836083 | PANEL |
| 84 | P0836084 | SLEEVE LOCK SHAFT |
| 85 | P0836085 | HEADSTOCK HOUSING |
| 86 | P0836086 | R8 SPINDLE SLEEVE |
| 87 | P0836087 | R8 SPINDLE |
| 88 | P0836088 | SPINDLE SLEEVE LOCATING SHAFT |
| 144 | P0836144 | FLAT WASHER 6MM |
| 162 | P0836162 | CONNECTING PLATE |
| 163 | P0836163 | STOP DOG |
| 164 | P0836164 | CAP SCREW M4-.7 X 12 |
| 170 | P0836170 | SUPPORT PLATE |
| 171 | P0836171 | SAFETY LIMIT SWITCH KEDU-QKS7 |
| 172 | P0836172 | PHLP HD SCR M4-.7 X 25 |
| 173 | P0836173 | LIMIT STOP |
| 174 | P0836174 | REVOLVING SHAFT |
| 175 | P0836175 | LOCK NUT M6-1 |
| 176 | P0836176 | INNER SHIELD ASSEMBLY |
| 177 | P0836177 | OUTER SHIELD |
| 178 | P0836178 | FLAT HD SCR M4-.7 X 10 |
| 179 | P0836179 | FLAT WASHER 5MM |
| 180 | P0836180 | KNURLED SCREWS M5-.8 X 20 |
| 181 | P0836181 | SET SCREW M4-.7 X 6 |
| 191 | P0836191 | E-STOP BUTTON KEDU-HY57B |
| 197 | P0836197 | TAP SCREW M3-.5 X 9 |
| 202 | P0836202 | ELECTRICAL BOX |
| 203 | P0836203 | ELECTRIC BOX COVER |
| 204 | P0836204 | SPINDLE SPEED TACHOMETER |
| 205 | P0836205 | FWD/REV SWITCH KEDU ZH-A |
| 206 | P0836206 | POTENTIOMETER WHZ4-2 |
| 207 | P0836207 | FAULT INDICATOR LIGHT |
| 208 | P0836208 | SPINDLE SPEED DIAL |
| 211 | P0836211 | STRAIN RELIEF TYPE -3 |



Table Parts

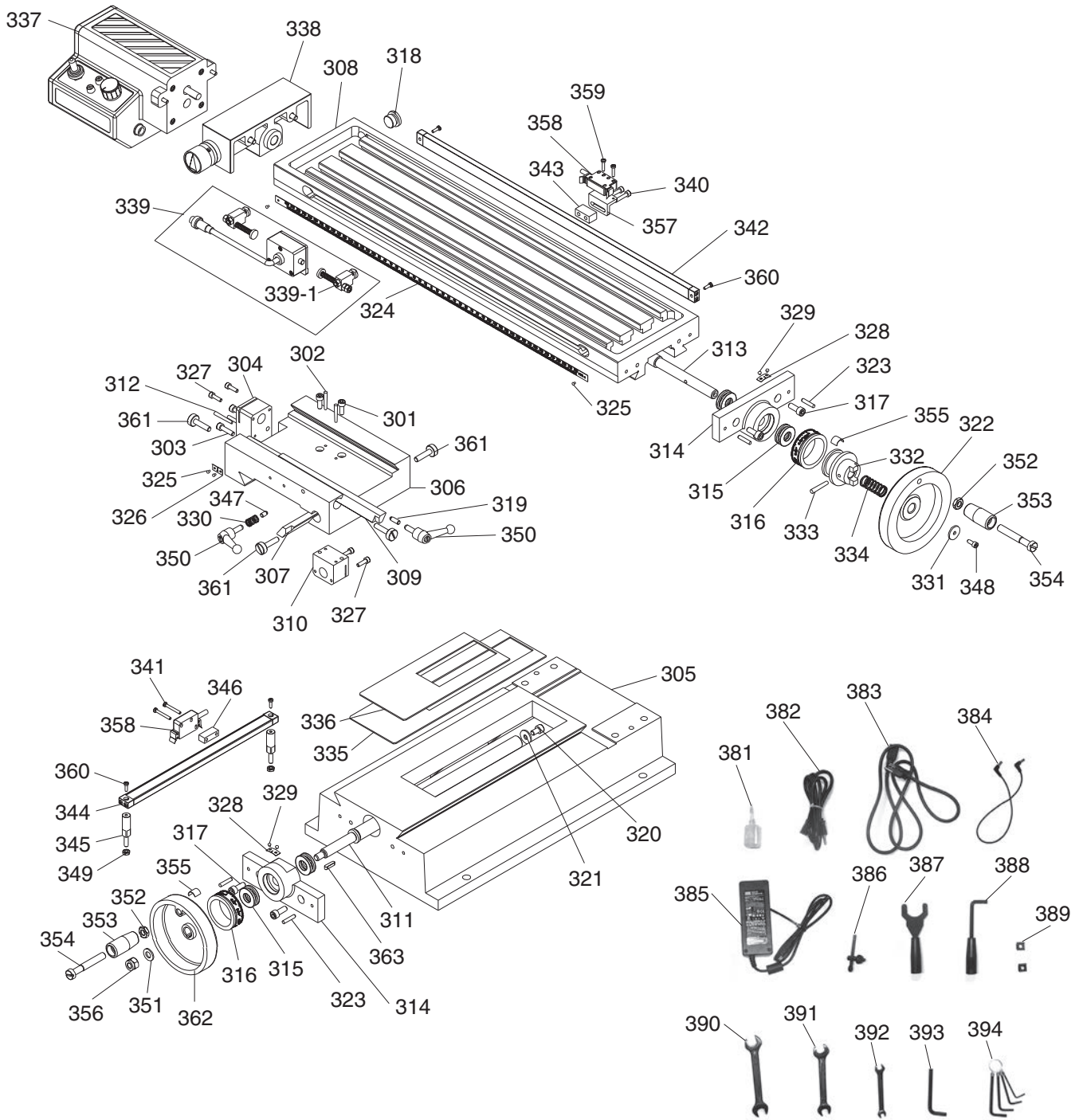
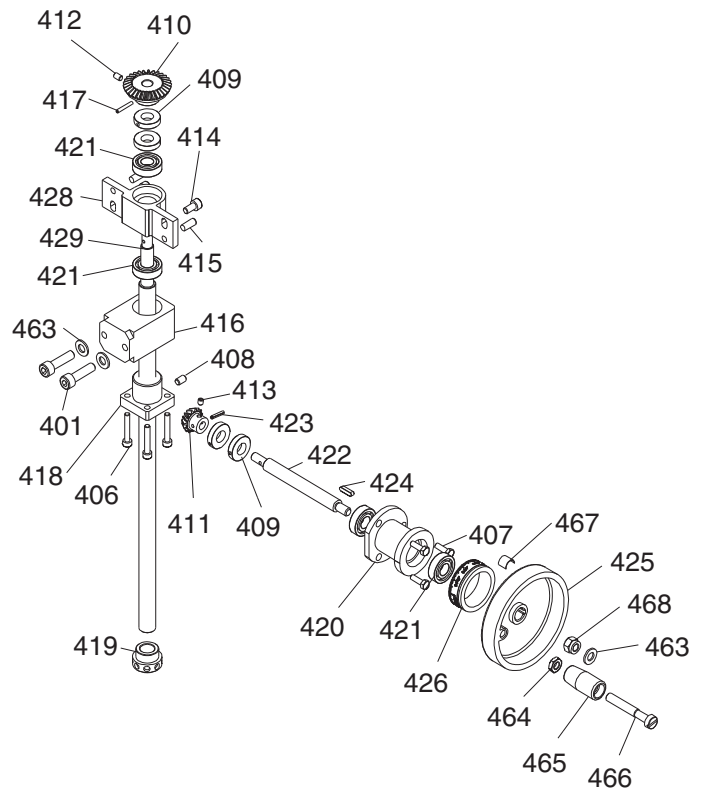
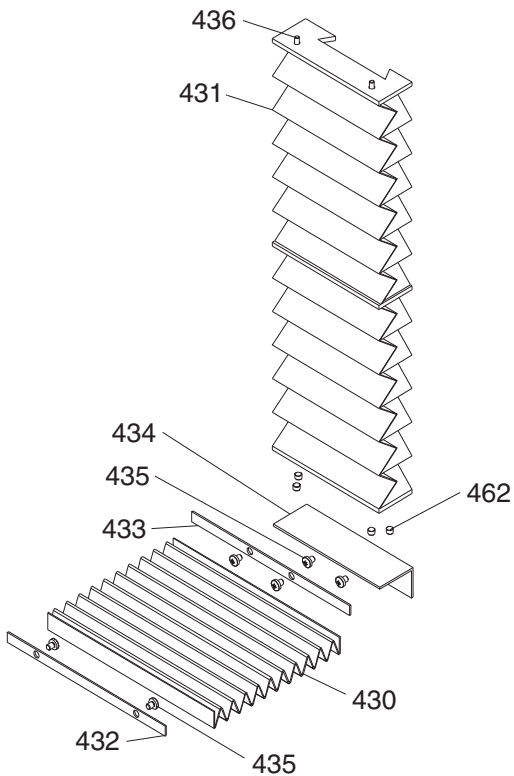
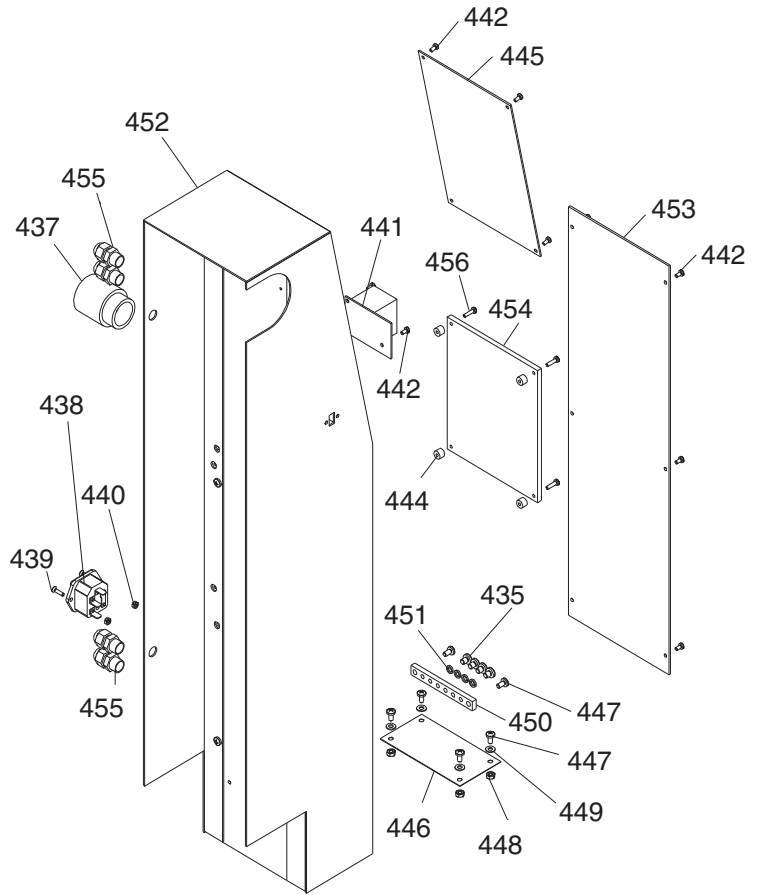
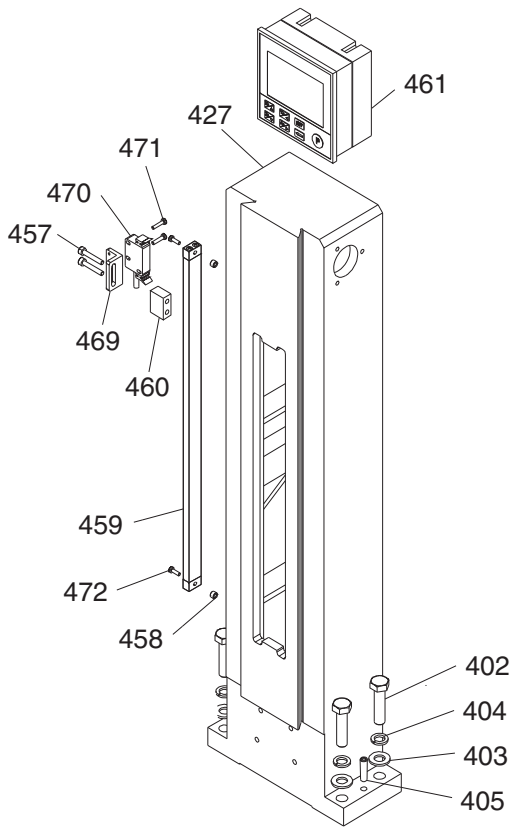


Table Parts List

| REF | PART # | DESCRIPTION | REF | PART # | DESCRIPTION |
|-----|----------|---------------------------------------|-------|------------|--------------------------------------|
| 301 | P0836301 | CAP SCREW M5-.8 X 14 | 339-1 | P0836339-1 | TABLE LIMIT STOP ASSY |
| 302 | P0836302 | TAPERED PIN B3 X 26 | 340 | P0836340 | CAP SCREW M4-.7 X 20 |
| 303 | P0836303 | CAP SCREW M5-.8 X 20 | 341 | P0836341 | PHLP HD SCR M3-.5 X 25 |
| 304 | P0836304 | Y-AXIS LEADSCREW NUT | 342 | P0836342 | X-AXIS MAGNETIC GRID SCALE |
| 305 | P0836305 | BASE | 343 | P0836343 | MAGNETIC READER PAD |
| 306 | P0836306 | SADDLE | 344 | P0836344 | Y-AXIS MAGNETIC GRID SCALE |
| 307 | P0836307 | X-AXIS GIB | 345 | P0836345 | FIX SEAT |
| 308 | P0836308 | WORKTABLE | 346 | P0836346 | Y-AXIS MAGNETIC PAD |
| 309 | P0836309 | Y-AXIS GIB | 347 | P0836347 | LOCKING ROD |
| 310 | P0836310 | X-AXIS LEADSCREW NUT | 348 | P0836348 | CAP SCREW M4-.7 X 10 |
| 311 | P0836311 | Y-AXIS LEADSCREW | 349 | P0836349 | HEX NUT M5-.8 |
| 312 | P0836312 | TAPERED PIN A3 X 30 | 350 | P0836350 | ADJUSTABLE HANDLE 58L, M6-1 X 25 |
| 313 | P0836313 | X-AXIS LEADSCREW | 351 | P0836351 | FLAT WASHER 8MM |
| 314 | P0836314 | LEADSCREW BEARING SEAT | 352 | P0836352 | HEX NUT M8-1.25 |
| 315 | P0836315 | THRUST BALL BEARING 8101 | 353 | P0836353 | HANDLE 19 X 40 |
| 316 | P0836316 | GRADUATED DIAL | 354 | P0836354 | SLOTTED SCREW M8-1.25 X 55 |
| 317 | P0836317 | CAP SCREW M6-1 X 10 | 355 | P0836355 | HANDWHEEL CURVED PLATE SPRING |
| 318 | P0836318 | END CAP | 356 | P0836356 | LOCK NUT M8-1.25 |
| 319 | P0836319 | DRAIN PLUG M16-1.5 | 357 | P0836357 | READER BRACKET |
| 320 | P0836320 | CAP SCREW M6-1 X 10 | 358 | P0836358 | MAGNETIC PAD READER |
| 321 | P0836321 | FLAT WASHER 6MM | 359 | P0836359 | PHLP HD SCR M3-.5 X 14 |
| 322 | P0836322 | HANDWHEEL TYPE-8 120D X 12B X M8-1.25 | 360 | P0836360 | PHLP HD SCR M3-.5 X 10 |
| 323 | P0836323 | PIN 4 X 20 | 361 | P0836361 | GIB SCREW M6-1 X 24 |
| 324 | P0836324 | SCALE LABEL | 362 | P0836362 | HANDWHEEL TYPE-8 100D X 8B X M8-1.25 |
| 325 | P0836325 | BLIND RIVET 2 X 3 ALUMINUM | 363 | P0836363 | KEY 4 X 4 X 16 |
| 326 | P0836326 | 0 POSITION LABEL | 381 | P0836381 | BOTTLE FOR OIL |
| 327 | P0836327 | CAP SCREW M4-.7 X 14 | 382 | P0836382 | POWER CORD 16G 3W 72" 5-15P |
| 328 | P0836328 | INDICATOR | 383 | P0836383 | POWER CORD 18G 3W 48" 5-15P |
| 329 | P0836329 | BLIND RIVET 2 X 4 ALUMINUM | 384 | P0836384 | 1A POWER SUPPLY JUMPER |
| 330 | P0836330 | COMPRESSION SPRING 1 X 9.2 X 14 | 385 | P0836385 | 5A POWER SUPPLY ADAPTER |
| 331 | P0836331 | FENDER WASHER 4MM | 386 | P0836386 | CHUCK KEY |
| 332 | P0836332 | SCREW CLUTCH | 387 | P0836387 | SPINDLE WRENCH |
| 333 | P0836333 | TAPERED PIN 4 X 28 | 388 | P0836388 | QUILL LOCK LEVER |
| 334 | P0836334 | COMPRESSION SPRING | 389 | P0836389 | T-NUT M12-1.75 |
| 335 | P0836335 | SPLASH GUARD (LARGE) | 390 | P0836390 | OPEN-END WRENCH 17/19MM |
| 336 | P0836336 | SPLASH GUARD (SMALL) | 391 | P0836391 | OPEN-END WRENCH 14/17MM |
| 337 | P0836337 | POWER FEED ASSY | 392 | P0836392 | OPEN-END WRENCH 8/10MM |
| 338 | P0836338 | POWER FEED CLUTCH ASSY | 393 | P0836393 | HEX WRENCH 8MM |
| 339 | P0836339 | POWER FEED LIMIT ASSY | 394 | P0836394 | HEX WRENCH SET 3, 4, 5, 6MM |



Column Parts



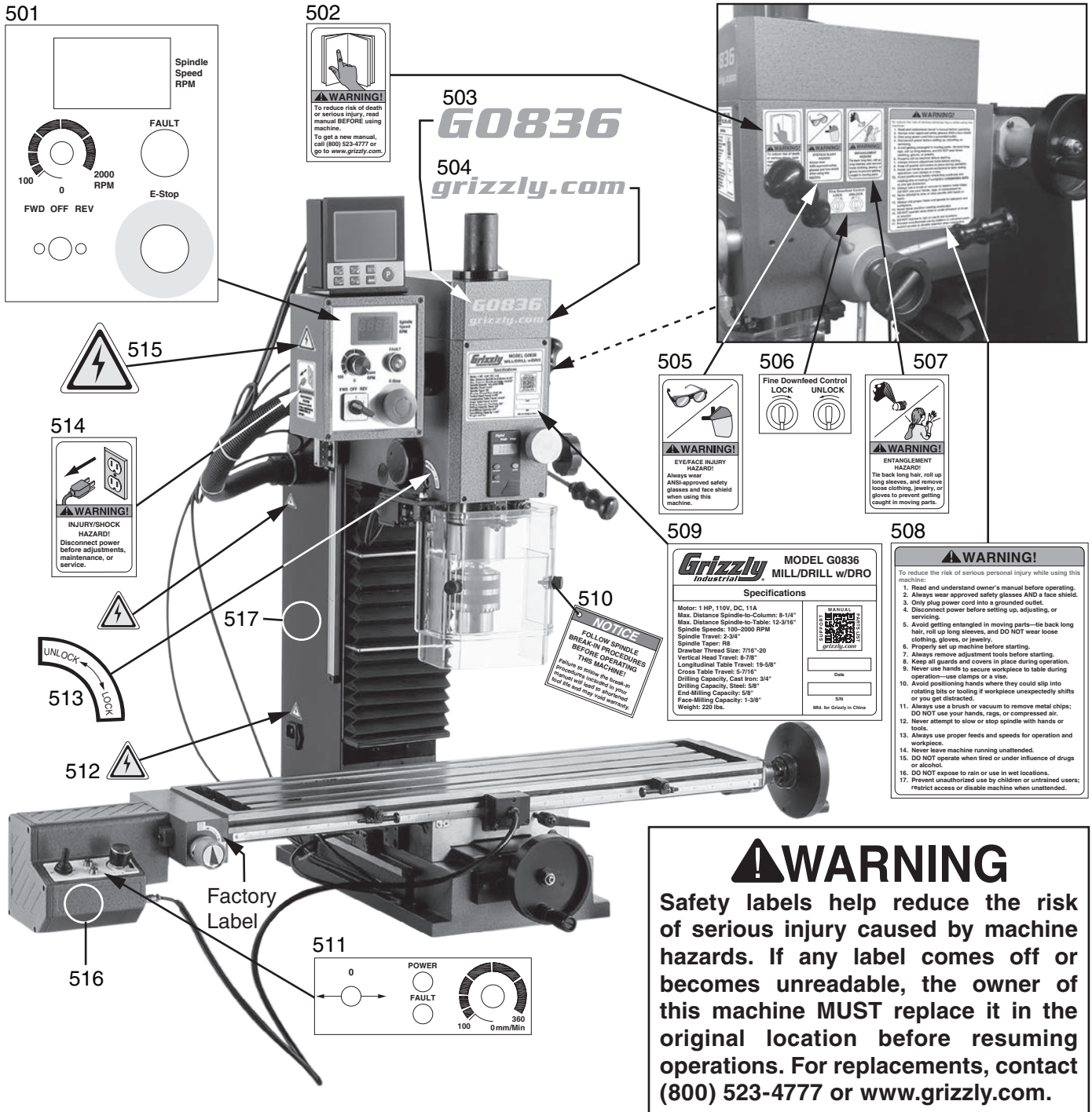
Column Parts List

| REF | PART # | DESCRIPTION |
|-----|-----------|--------------------------------------|
| 401 | P08360401 | CAP SCREW M8-1.25 X 30 |
| 402 | P08360402 | HEX BOLT M10-1.5 X 40 |
| 403 | P08360403 | FLAT WASHER 10MM |
| 404 | P08360404 | LOCK WASHER 10MM |
| 405 | P08360405 | TAPERED PIN W/INT THREAD M6-1 X 24 |
| 406 | P08360406 | CAP SCREW M5-.8 X 30 |
| 407 | P08360407 | HEX BOLT M5-.8 X 16 |
| 408 | P08360408 | SET SCREW M6-1 X 10 |
| 409 | P08360409 | LOCK RING M12-1 X 6 |
| 410 | P08360410 | LARGE CONICAL GEAR |
| 411 | P08360411 | BEVEL PINION |
| 412 | P08360412 | TAPERED SET SCREW M5-.8 X 8 |
| 413 | P08360413 | TAPERED SET SCREW M5-.8 X 10 |
| 414 | P08360414 | CAP SCREW M6-1 X 12 |
| 415 | P08360415 | TAPERED PIN W/INT THREAD M6-1 X 16 |
| 416 | P08360416 | COLUMN NUT BLOCK |
| 417 | P08360417 | ROLL PIN 3 X 20 |
| 418 | P08360418 | LIFT NUT |
| 419 | P08360419 | LIFT LOCK NUT |
| 420 | P08360420 | LIFT SUPPORT SET |
| 421 | P08360421 | DEEP-GROOVE BALL BEARING 6001 |
| 422 | P08360422 | LIFTING SHAFT |
| 423 | P08360423 | ROLL PIN 3 X 16 |
| 424 | P08360424 | KEY 4 X 4 X 16 |
| 425 | P08360425 | HANDWHEEL TYPE-8 100D X 8B X M8-1.25 |
| 426 | P08360426 | SCALE LIFT RING |
| 427 | P08360427 | COLUMN |
| 428 | P08360428 | LEADSCREW SUPPORT |
| 429 | P08360429 | LEFT LEADSCREW |
| 430 | P08360430 | DUST COVER |
| 431 | P08360431 | COLUMN WAYS COVER |
| 432 | P08360432 | WAY COVER FRONT PLATE |
| 433 | P08360433 | WAY COVER REAR PLATE |
| 434 | P08360434 | WAYS COVER BRACKET |
| 435 | P08360435 | PHLP HD SCR M5-.8 X 6 |
| 436 | P08360436 | PHLP HD SCR M4-.7 X 10 |

| REF | PART # | DESCRIPTION |
|-----|-----------|-------------------------------|
| 437 | P08360437 | STRAIN RELIEF TYPE 5 |
| 438 | P08360438 | PLUG SOCKET W FUSE |
| 439 | P08360439 | FLAT HD SCR M3-.5 X 12 |
| 440 | P08360440 | HEX NUT M3-.5 |
| 441 | P08360441 | POWER PANEL |
| 442 | P08360442 | PHLP HD SCR M3-.5 X 6 |
| 444 | P08360444 | CIRCUIT BOARD FOOT PAD |
| 445 | P08360445 | COVER PLATE |
| 446 | P08360446 | LOWER DUST NET |
| 447 | P08360447 | CAP SCREW M4-.7 X 8 |
| 448 | P08360448 | HEX NUT M4-.7 |
| 449 | P08360449 | FLAT WASHER 4MM |
| 450 | P08360450 | GROUNDING BAR |
| 451 | P08360451 | LOCK WASHER 5MM |
| 452 | P08360452 | BACK COVER ASSEMBLY (COLUMN) |
| 453 | P08360453 | BACK COVER |
| 454 | P08360454 | PC BOARD FC750BJ 110V |
| 455 | P08360455 | STRAIN RELIEF TYPE -3 |
| 456 | P08360456 | PHLP HD SCR M3-.5 X 12 |
| 457 | P08360457 | CAP SCREW M4-.7 X 25 |
| 458 | P08360458 | FLAT WASHER 3MM |
| 459 | P08360459 | Z-AXIS MAGNETIC GRID SCALE |
| 460 | P08360460 | Z-AXIS MAGNETIC READER PAD |
| 461 | P08360461 | DRO DISPLAY UNIT |
| 462 | P08360462 | ROUND MAGNET 6MM |
| 463 | P08360463 | FLAT WASHER 8MM |
| 464 | P08360464 | HEX NUT M8-1.25 |
| 465 | P08360465 | HANDLE 19 X 40 |
| 466 | P08360466 | SLOTTED SCREW M8-1.25 X 55 |
| 467 | P08360467 | HANDWHEEL CURVED PLATE SPRING |
| 468 | P08360468 | LOCK NUT M8-1.25 |
| 469 | P08360469 | READER BRACKET |
| 470 | P08360470 | MAGNETIC PAD READER |
| 471 | P08360471 | PHLP HD SCR M3-.5 X 14 |
| 472 | P08360472 | PHLP HD SCR M3-.5 X 10 |



Labels & Cosmetics



| REF | PART # | DESCRIPTION |
|-----|-----------|-----------------------------|
| 501 | P08360501 | CONTROL PANEL LABEL |
| 502 | P08360502 | READ MANUAL LABEL |
| 503 | P08360503 | G0836 LABEL |
| 504 | P08360504 | GRIZZLY.COM LABEL |
| 505 | P08360505 | EYE/FACE INJURY |
| 506 | P08360506 | FINE DOWNFEED CONTROL LABEL |
| 507 | P08360507 | ENTANGLEMENT LABEL |
| 508 | P08360508 | WARNING LABEL |
| 509 | P08360509 | MACHINE ID LABEL |

| REF | PART # | DESCRIPTION |
|-----|-----------|-------------------------------|
| 510 | P08360510 | SPINDLE BREAK-IN LABEL |
| 511 | P08360511 | POWER FEED CONTROL LABEL |
| 512 | P08360512 | ELECTRICITY LABEL 0.7W |
| 513 | P08360513 | LOCK/UNLOCK LABEL |
| 514 | P08360514 | INJURY/SHOCK HAZARD |
| 515 | P08360515 | ELECTRICITY LABEL 1.4W |
| 516 | P08360516 | TOUCH-UP PAINT, GRIZZLY GREEN |
| 517 | P08360517 | TOUCH-UP PAINT, GRIZZLY BLACK |

