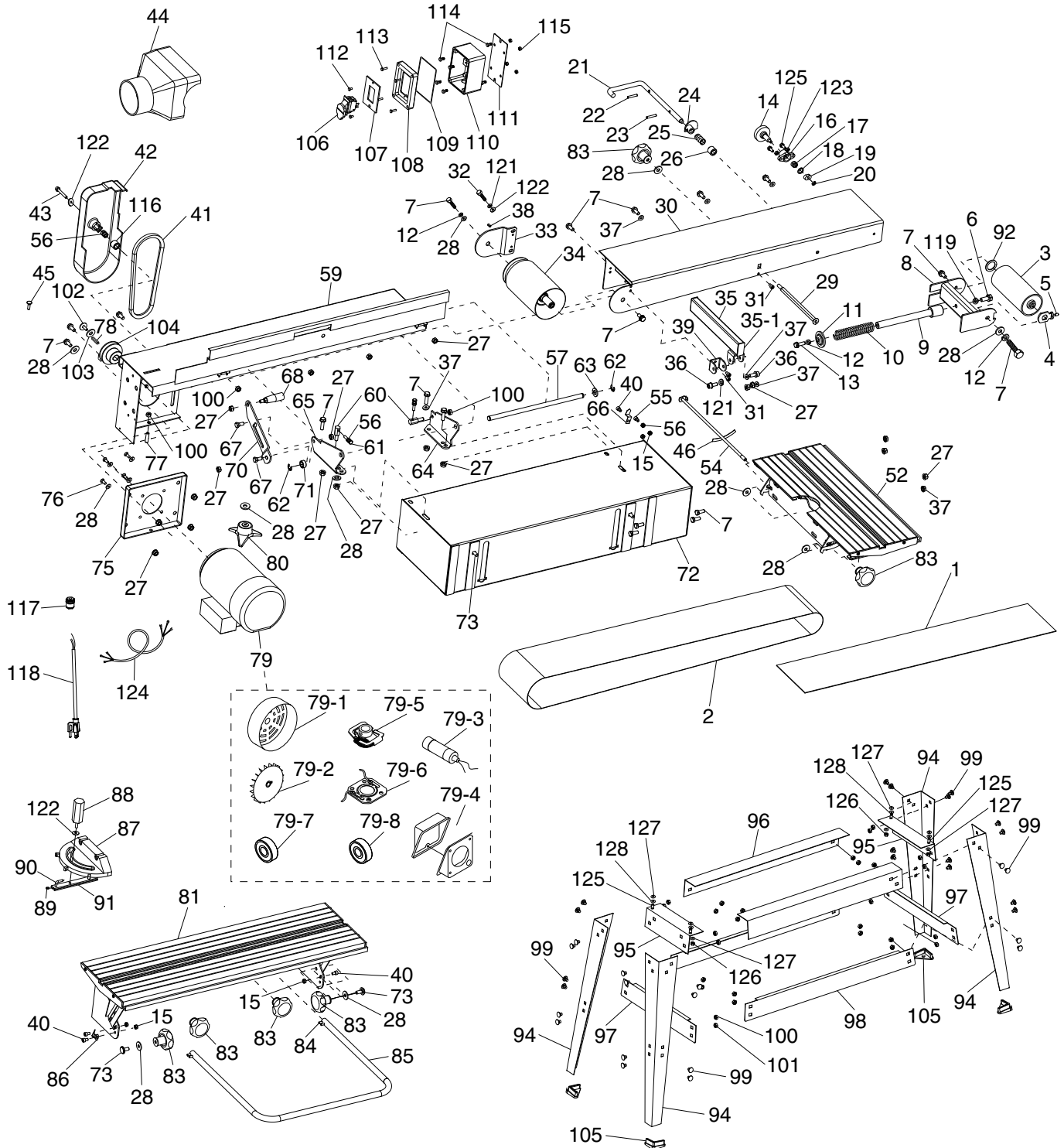


# SECTION 9: PARTS

We do our best to stock replacement parts when possible, but we cannot guarantee that all parts shown are available for purchase. Call **(800) 523-4777** or visit **www.grizzly.com/parts** to check for availability.

## Main



# Main Parts List

REF	PART #	DESCRIPTION
1	P0839P001	GRAPHITE PLATEN 6" X 32"
2	P0839P002	SANDING BELT 80-GRIT 6" X 79" (2PK)
3	P0839P003	DRIVE ROLLER
4	P0839P004	DRIVE ROLLER ADJUSTMENT BLOCK
5	P0839P005	SET SCREW M6-1 X 12
6	P0839P006	HEX BOLT M10-1.5 X 25
7	P0839P007	HEX BOLT M8-1.25 X 20
8	P0839P008	DRIVE ROLLER BRACKET
9	P0839P009	BELT TRACKING SHAFT
10	P0839P010	COMPRESSION SPRING
11	P0839P011	SPRING RETAINER
12	P0839P012	LOCK WASHER 8MM
13	P0839P013	HEX BOLT M8-1.25 X 25
14	P0839P014	BELT TRACKING KNOB
15	P0839P015	LOCK NUT M6-1
16	P0839P016	TRACKING KNOB BASE
17	P0839P017	COMPRESSION SPRING
18	P0839P018	SPRING RETAINER
19	P0839P019	SLIDE
20	P0839P020	C-CLIP 4MM
21	P0839P021	BELT TENSIONING HANDLE
22	P0839P022	ROLL PIN 5 X 30
23	P0839P023	ROLL PIN 5 X 20
24	P0839P024	CAM
25	P0839P025	COMPRESSION SPRING
26	P0839P026	SLEEVE
27	P0839P027	LOCK NUT M8-1.25
28	P0839P028	FENDER WASHER 8MM
29	P0839P029	LATCH BAR
30	P0839P030	PLATEN
31	P0839P031	CAP SCREW M6-1 X 10
32	P0839P032	HEX BOLT M6-1 X 16
33	P0839P033	DRIVE ROLLER BRACKET
34	P0839P034	DRIVE ROLLER
35	P0839P035	BACK STOP
35-1	P0839P035-1	BACK STOP END CAP
36	P0839P036	HEX BOLT M8-1.25 X 20
37	P0839P037	FLAT WASHER 8MM
38	P0839P038	ROLL PIN 5 X 10
39	P0839P039	BACK STOP BASE
40	P0839P040	CAP SCREW M6-1 X 12
41	P0839P041	V-BELT 1306
42	P0839P042	BELT COVER
43	P0839P043	CAP SCREW M6-1 X 45
44	P0839P044	DUST PORT 4"
45	P0839P045	CARRIAGE BOLT M6-1 X 20
46	P0839P046	ANGLE SCALE
52	P0839P052	END TABLE
54	P0839P054	LOCK BAR

REF	PART #	DESCRIPTION
55	P0839P055	CAP SCREW M6-1 X 12
56	P0839P056	HEX NUT M6-1
57	P0839P057	SUPPORT ROD
59	P0839P059	SANDER SUB-BASE W/DOOR
60	P0839P060	LIMIT BOLT M8-1.25 X 20
61	P0839P061	HEX BOLT M6-1 X 25
62	P0839P062	E-CLIP 9MM
63	P0839P063	FLAT WASHER 12MM
64	P0839P064	RIGHT SUPPORT BRACKET
65	P0839P065	LEFT SUPPORT BRACKET
66	P0839P066	POINTER
67	P0839P067	CARRIAGE BOLT M8-1.25 X 20
68	P0839P068	FIXED HANDLE 20 X 52, M8-1.25 X 12
70	P0839P070	PLATEN LOCK BAR
71	P0839P071	SPACER
72	P0839P072	SANDER BASE
73	P0839P073	HEX BOLT M8-1.25 X 20
75	P0839P075	MOTOR CONNECTION PLATE
76	P0839P076	HEX BOLT M6-1 X 12
77	P0839P077	SET SCREW M8-1.25 X 40
78	P0839P078	KEY 5 X 5 X 30
79	P0839P079	MOTOR 1.5HP 110V/220V 1-PH
79-1	P0839P079-1	FAN COVER
79-2	P0839P079-2	MOTOR FAN
79-3	P0839P079-3	S CAPACITOR 200M 250V 1-5/8" X 2-7/8"
79-4	P0839P079-4	MOTOR JUNCTION BOX
79-5	P0839P079-5	CENTRIFUGAL SWITCH
79-6	P0839P079-6	CONTACT PLATE
79-7	P0839P079-7	BALL BEARING 6204-2RS
79-8	P0839P079-8	BALL BEARING 6203-2RS
80	P0839P080	KNOB M6-1, 30D, 4-LOBE
81	P0839P081	EDGE TABLE
83	P0839P083	KNOB M8-1.25, 60D, 4-LOBE
84	P0839P084	ROLL PIN 5 X 25
85	P0839P085	EDGE TABLE HEIGHT HANDLE
86	P0839P086	TABLE POINTER
87	P0839P087	MITER GAUGE BASE
88	P0839P088	FIXED HANDLE M6-1 X 20, 26 X 65
89	P0839P089	SET SCREW M5-.8 X 6
90	P0839P090	POINTER
91	P0839P091	MITER GAUGE SLIDE
92	P0839P092	IDLER ROLLER END RING
94	P0839P094	STAND LEG
95	P0839P095	UPPER END STAND BRACE
96	P0839P096	UPPER SIDE STAND BRACE
97	P0839P097	LOWER END STAND BRACE
98	P0839P098	LOWER SIDE STAND BRACE
99	P0839P099	CARRIAGE BOLT M8-1.25 X 12



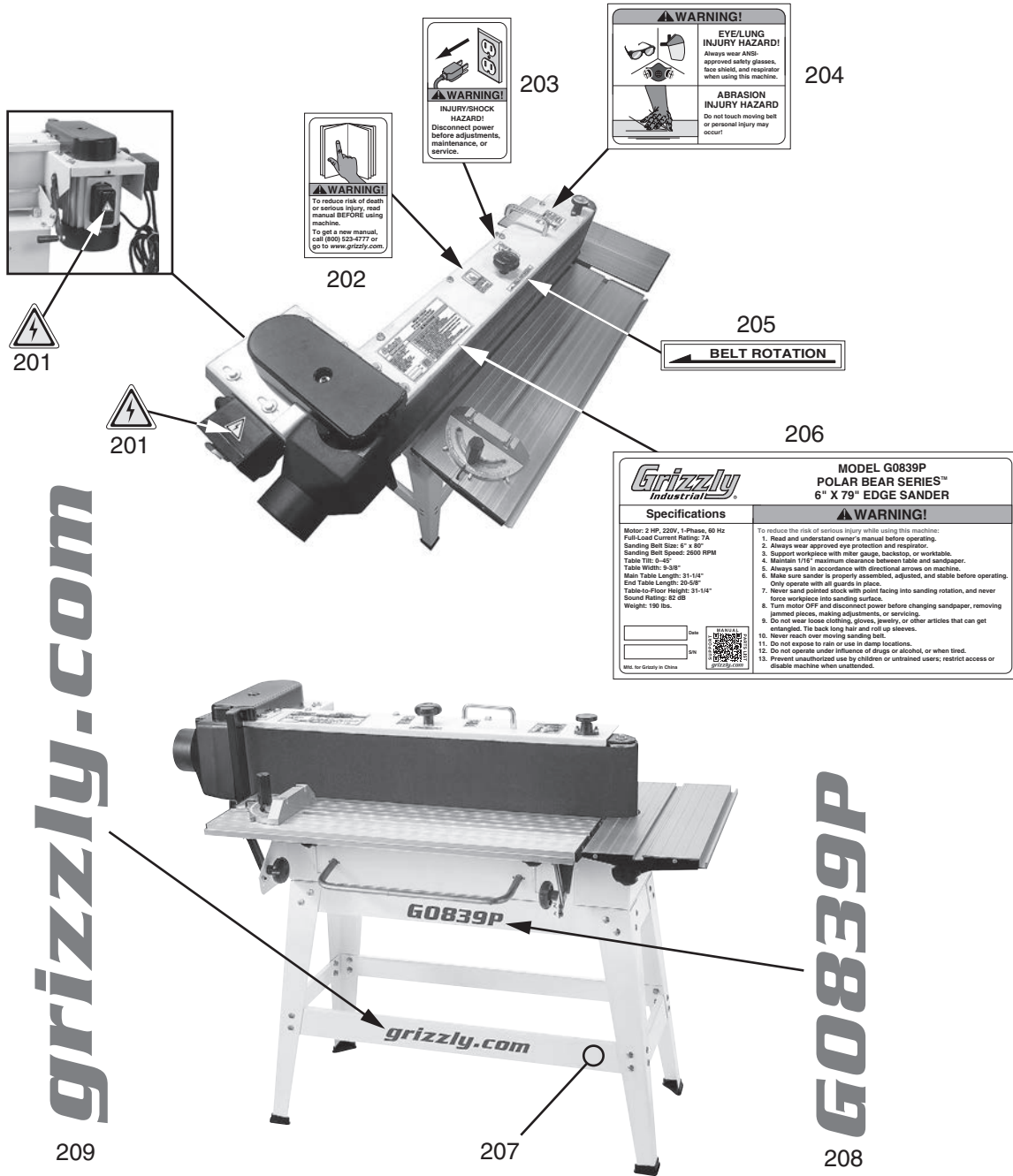
# Main Parts List, Continued

REF	PART #	DESCRIPTION
100	P0839P100	HEX NUT M8-1.25
101	P0839P101	FLAT WASHER 8MM
102	P0839P102	CAP SCREW 6-1 X 20 LH
103	P0839P103	FENDER WASHER 6MM
104	P0839P104	MOTOR PULLEY
105	P0839P105	RUBBER FOOT
106	P0839P106	PADDLE SWITCH KEDU HY 18-4P
107	P0839P107	SWITCH PLATE
108	P0839P108	UPPER SWITCH BOX COVER
109	P0839P109	GASKET
110	P0839P110	SWITCH BOX
111	P0839P111	COVER PLATE, METAL
112	P0839P112	PHLP HD SCR M4-.7 X 10
113	P0839P113	PHLP HD SCR M4-.7 X 16

REF	PART #	DESCRIPTION
114	P0839P114	PHLP HD SCR M5-.8 X 16
115	P0839P115	HEX NUT M5-.8
116	P0839P116	LOCATING SLEEVE
117	P0839P117	STRAIN RELIEF TYPE 3 PG9
118	P0839P118	POWER CORD 3W 14G 72" 6-15P
119	P0839P119	LOCK WASHER 10MM
121	P0839P121	LOCK WASHER 6MM
122	P0839P122	FENDER WASHER 6MM
123	P0839P123	LOCK NUT M6-1
124	P0839P124	MOTOR CORD 3W 18G 12"
125	P0839P125	HEX BOLT M6-1 X 20
126	P0839P126	HEX NUT M6-1
127	P0839P127	LOCK WASHER 6MM
128	P0839P128	FLAT WASHER 6MM



# Labels & Cosmetics



REF	PART #	DESCRIPTION
201	P0839P201	ELECTRICAL LABEL
202	P0839P202	READ MANUAL LABEL
203	P0839P203	INJURY/SHOCK HAZARD LABEL
204	P0839P204	WARNING LABEL
205	P0839P205	BELT ROTATION LABEL

REF	PART #	DESCRIPTION
206	P0839P206	MACHINE ID LABEL
207	P0839P207	TOUCH-UP PAINT, POLAR BEAR WHITE
208	P0839P208	GRIZZLY.COM LABEL
209	P0839P209	MODEL NUMBER LABEL

**⚠ WARNING**

Safety labels help reduce the risk of serious injury caused by machine hazards. If any label comes off or becomes unreadable, the owner of this machine **MUST** replace it in the original location before resuming operations. For replacements, contact (800) 523-4777 or [www.grizzly.com](http://www.grizzly.com).

