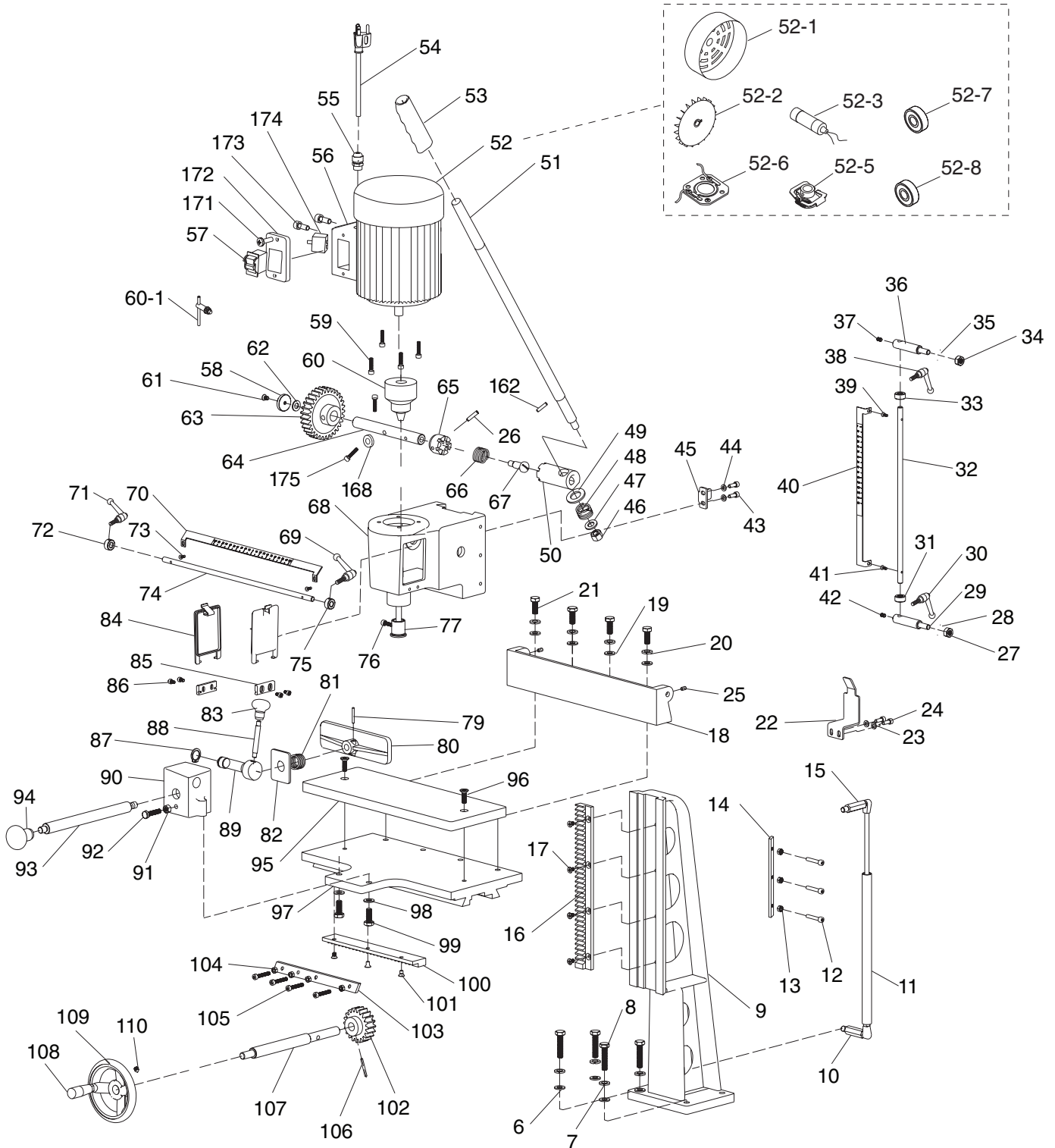


# SECTION 9: PARTS

## Main Parts Breakdown



**Please Note:** We do our best to stock replacement parts whenever possible, but we cannot guarantee that all parts shown here are available for purchase. Call (800) 523-4777 or visit our online parts store at [www.grizzly.com](http://www.grizzly.com) to check for availability.



# Main Parts List

REF	PART #	DESCRIPTION
6	P0840006	FLAT WASHER 10MM
7	P0840007	LOCK WASHER 10MM
8	P0840008	CAP SCREW M10-1.5 X 40
9	P0840009	COLUMN
10	P0840010	HEX STAND-OFF MF, M10-1.5 X 20
11	P0840011	GAS SPRING
12	P0840012	SET SCREW M6-1 X 35
13	P0840013	HEX NUT M6-1
14	P0840014	Z-AXIS GIB
15	P0840015	HEX STAND-OFF MF, M10-1.5 X 20
16	P0840016	COLUMN RACK
17	P0840017	CAP SCREW M6-1 X 10
18	P0840018	FENCE
19	P0840019	FLAT WASHER 10MM
20	P0840020	LOCK WASHER 10MM
21	P0840021	CAP SCREW M10-1.5 X 25
22	P0840022	POINTER
23	P0840023	FLAT WASHER 6MM
24	P0840024	CAP SCREW M6-1 X 15
25	P0840025	SET SCREW M6-1 X 10
26	P0840026	ROLL PIN 8 X 35
27	P0840027	HEX NUT M10-1.5
28	P0840028	FLAT WASHER 10MM
29	P0840029	STANDOFF-ROUND MF M10-1.5 X 20, M6-1
30	P0840030	ADJUSTABLE HANDLE M8-1.25 X 26 88L
31	P0840031	DEPTH STOP COLLAR
32	P0840032	DEPTH STOP ROD
33	P0840033	SETTING COLLAR
34	P0840034	HEX NUT M10-1.5
35	P0840035	FLAT WASHER 10MM
36	P0840036	STANDOFF-ROUND MF M10-1.5 X 20, M6-1
37	P0840037	SET SCREW M6-1 X 16

REF	PART #	DESCRIPTION
38	P0840038	ADJUSTABLE HANDLE M8-1.25 X 26 88L
39	P0840039	PHLP HD SCR M4-.7 X 12
40	P0840040	DEPTH RULER
41	P0840041	PHLP HD SCR M4-.7 X 12
42	P0840042	SET SCREW M6-1 X 8
43	P0840043	CAP SCREW M6-1 X 15
44	P0840044	FLAT WASHER 6MM
45	P0840045	POINTER
46	P0840046	HEX NUT M12-1.75
47	P0840047	FENDER WASHER 12MM
48	P0840048	COMPRESSION SPRING
49	P0840049	FENDER WASHER 14MM
50	P0840050	CLUTCH COLLAR
51	P0840051	HANDLE 24"
52	P0840052	MOTOR 1HP 110V 1-PH
52-1	P0840052-1	FAN COVER
52-2	P0840052-2	MOTOR FAN
52-3	P0840052-3	R CAPACITOR 45UF 300V 1-1/2 X 2-1/2
52-5	P0840052-5	CONTACT PLATE
52-6	P0840052-6	CENTRIFUGAL SWITCH
52-7	P0840052-7	BALL BEARING 6203ZZ (FRONT)
52-8	P0840052-8	BALL BEARING 6203ZZ (REAR)
53	P0840053	HANDLE GRIP
54	P0840054	POWER CORD 14G 3W 72" 5-15P
55	P0840055	STRAIN RELIEF TYPE-3 10MM
56	P0840056	SWITCH BOX
57	P0840057	ON/OFF PADDLE SWITCH KEDU-HY18
58	P0840058	FENDER WASHER 6MM
59	P0840059	CAP SCREW M6-1 X 10
60	P0840060	DRILL CHUCK 1-16MM
60-1	P0840060-1	DRILL CHUCK KEY 5/16" TH-SE 12T SD-1/2



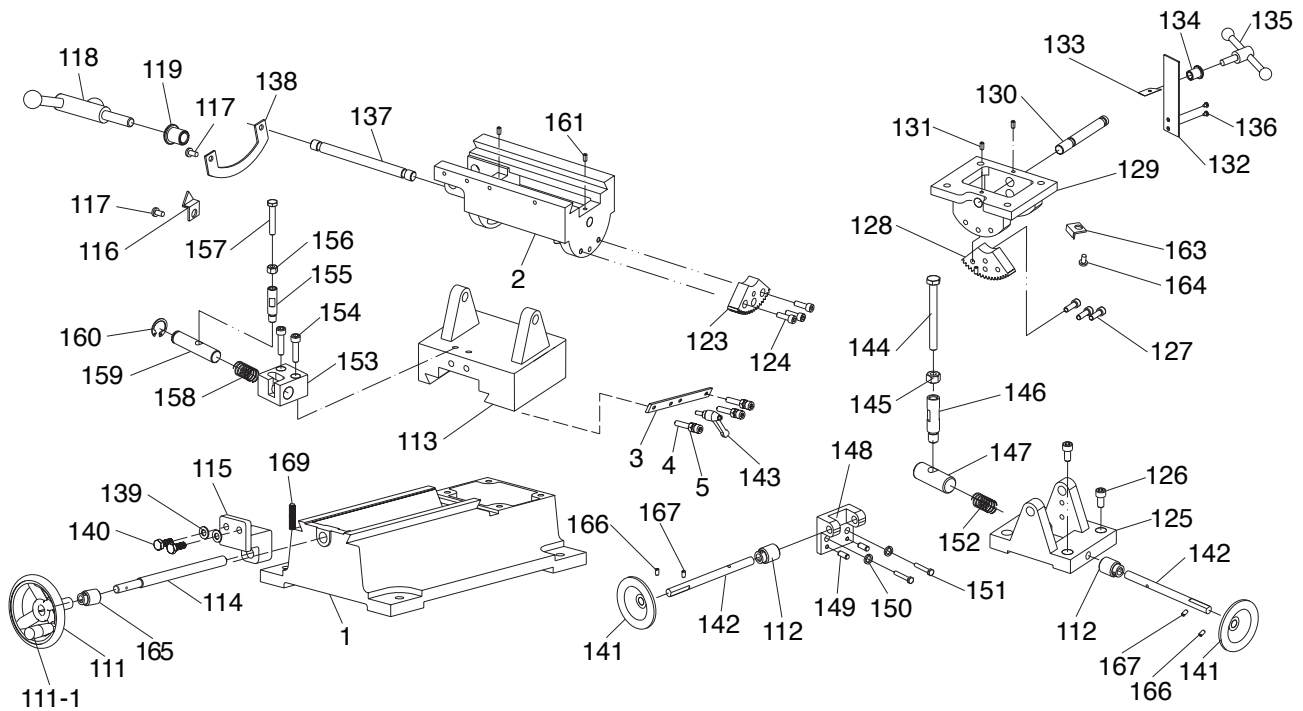
# Main Parts List

REF PART #	DESCRIPTION
61	P0840061 CAP SCREW M6-1 X 10
62	P0840062 COVER
63	P0840063 GEAR 31T
64	P0840064 SHAFT
65	P0840065 CLUTCH
66	P0840066 COMPRESSION SPRING
67	P0840067 SHOULDER SCREW M10-1.5 X 14, 12.5 X 26
68	P0840068 HEADSTOCK
69	P0840069 ADJUSTABLE HANDLE M8-1.25 X 26 88L
70	P0840070 RULER MARK
71	P0840071 ADJUSTABLE HANDLE M8-1.25 X 26 88L
72	P0840072 SET COLLAR
73	P0840073 PHLP HD SCR M4-.7 X 12
74	P0840074 SET ROD
75	P0840075 SET COLLAR
76	P0840076 PHLP HD SCR M6-1 X 25
77	P0840077 BUSHING
79	P0840079 ROLL PIN 4 X 25
80	P0840080 CLAMP PLATE
81	P0840081 COMPRESSION SPRING
82	P0840082 SPRING COVER
83	P0840083 BALL KNOB M10-1.5, D28
84	P0840084 COVER HINGE
85	P0840085 COVER BASE
86	P0840086 PHLP HD SCR M5-.8 X 10
87	P0840087 EXT RETAINING RING 20MM
88	P0840088 STUD DE M10-1.5
89	P0840089 SHAFT

REF PART #	DESCRIPTION
90	P0840090 CLAMPING BLOCK
91	P0840091 HEX NUT M10-1.5
92	P0840092 CAP SCREW M8-1.25 X 25
93	P0840093 LOCKING SHAFT
94	P0840094 BALL KNOB M12-1.75, D40
95	P0840095 WOOD TABLE
96	P0840096 FLAT HD SCR M8-1.25 X 25
97	P0840097 CAST-IRON TABLE
98	P0840098 FLAT WASHER 10MM
99	P0840099 HEX BOLT M10-1.5 X 25
100	P0840100 RACK
101	P0840101 CAP SCREW M6-1 X 10
102	P0840102 GEAR 15T
103	P0840103 DRIFT X-AXIS GIB
104	P0840104 HEX NUT M6-1
105	P0840105 SET SCREW M6-1 X 16
106	P0840106 ROLL PIN 4 X 30
107	P0840107 GEAR SHAFT
108	P0840108 FIXED HANDLE 22 X 74, M8-1.25
109	P0840109 HANDWHEEL TYPE-18 120D X 22B X M8-1.25
110	P0840110 SET SCREW M8-1.25 X 10
162	P0840162 ROLL PIN 5 X 30
168	P0840168 LOCK WASHER 8MM
171	P0840171 PHLP HD SCR M4-.7 X 12
172	P0840172 SWITCH PLATE
173	P0840173 PHLP HD SCR M3-.5 X 14
174	P0840174 CIRCUIT BREAKER 9A KUOYUH
175	P0840175 CAP SCREW M8-1.25 X 10



# Table/Column Base Breakdown

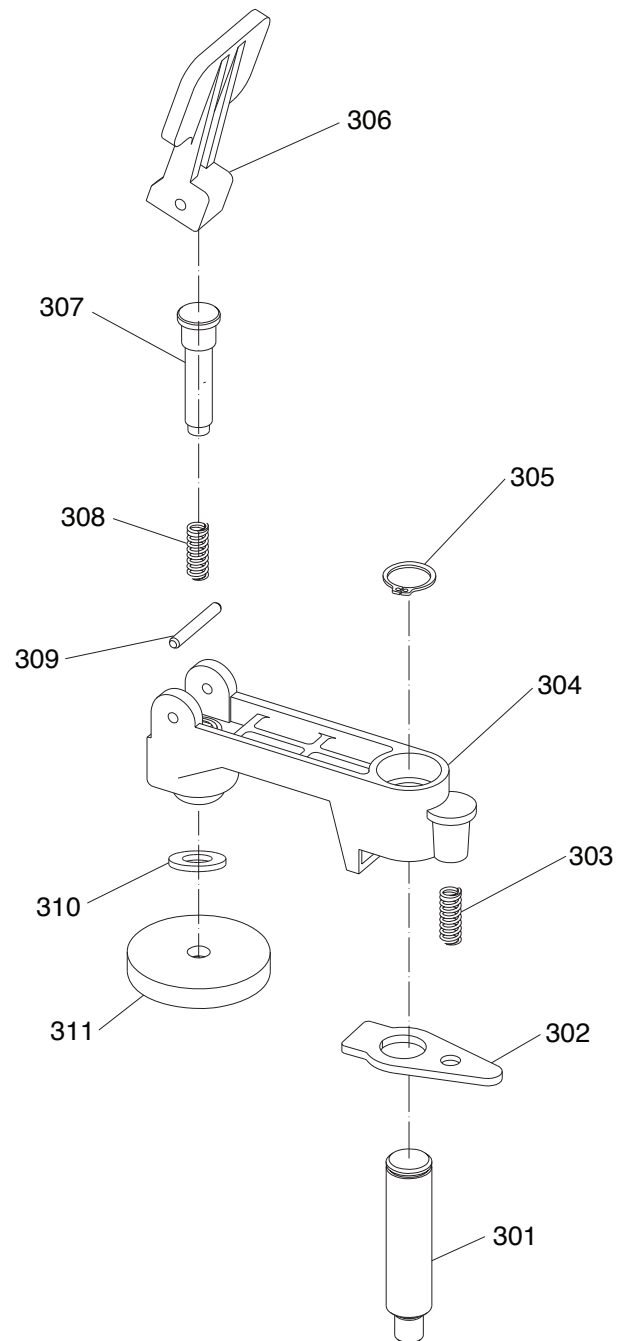
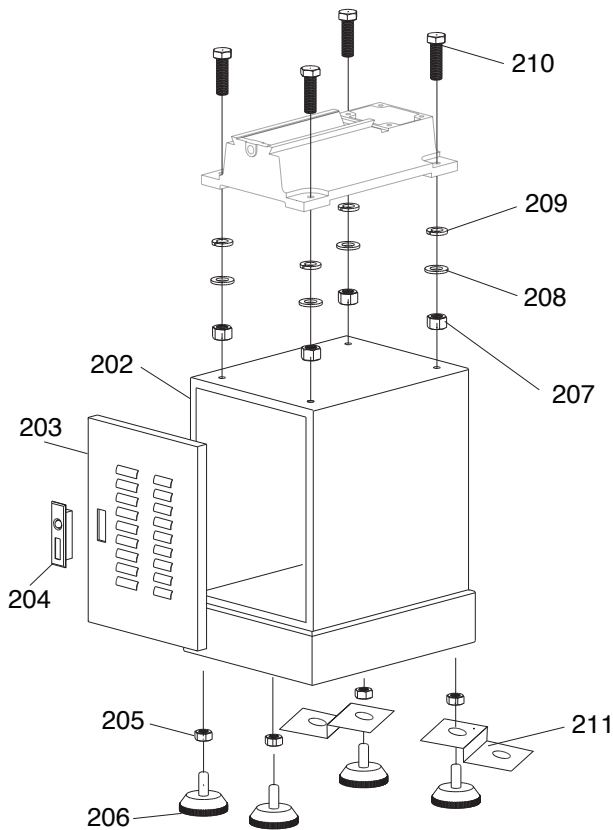


REF	PART #	DESCRIPTION
1	P0840001	MACHINE BASE
2	P0840002	TABLE TILTING BASE
3	P0840003	Y-AXIS GIB
4	P0840004	SET SCREW M6-1 X 35
5	P0840005	HEX NUT M6-1
111	P0840111	HANDWHEEL TYPE-18 120D X 22B X M8-1.25
111-1	P0840111-1	FIXED HANDLE 22 X 74, M8-1.25
112	P0840112	WORM GEAR
113	P0840113	TABLE BASE HINGE
114	P0840114	Y-AXIS LEADSCREW
115	P0840115	LEADSCREW NUT
116	P0840116	POINTER
117	P0840117	PHLP HD SCR M5-.8 X 10
118	P0840118	LOCK HANDLE M6-1.25 X 24
119	P0840119	BUSHING
123	P0840123	TABLE TILT RACK
124	P0840124	CAP SCREW M10-1.5 X 35
125	P0840125	COLUMN HINGE BASE
126	P0840126	CAP SCREW M10-1.5 X 25
127	P0840127	CAP SCREW M10-1.5 X 25
128	P0840128	COLUMN TILT RACK
129	P0840129	COLUMN TILTING BASE
130	P0840130	SHAFT
131	P0840131	SET SCREW M6-1.0 X 16
132	P0840132	ANGLE GAUGE
133	P0840133	ANGLE RULER
134	P0840134	BUSHING
135	P0840135	COLUMN LOCK HANDLE M10-1.5 X 28
136	P0840136	PHLP HD SCR M4-.7 X 10
137	P0840137	GEAR SHAFT

REF	PART #	DESCRIPTION
138	P0840138	ANGLE SCALE
139	P0840139	FLAT WASHER 8MM
140	P0840140	CAP SCREW M8-1.25 X 25
141	P0840141	KNOB 6-LOBES, D78
142	P0840142	GEAR SHAFT
143	P0840143	ADJUSTABLE HANDLE M6-1 X 24N 52L
144	P0840144	HEX BOLT M6-1 X 30
145	P0840145	HEX NUT M6-1.0
146	P0840146	Z-AXIS LEADSCREW
147	P0840147	SHAFT
148	P0840148	GEAR BASE
149	P0840149	ROLL PIN 5 X 30
150	P0840150	LOCK WASHER 8MM
151	P0840151	CAP SCREW M8-1.25 X 30
152	P0840152	COMPRESSION SPRING
153	P0840153	LEADSCREW BASE
154	P0840154	CAP SCREW M6-1 X 25
155	P0840155	Z-AXIS LEADSCREW
156	P0840156	HEX NUT M6-1
157	P0840157	HEX BOLT M6-1 X 30
158	P0840158	COMPRESSION SPRING
159	P0840159	SHAFT
160	P0840160	EXT RETAINING RING 14MM
161	P0840161	SET SCREW M8-1.25 X 10
163	P0840163	POINTER
164	P0840164	SET SCREW M4-.7 X 10
165	P0840165	BUSHING
166	P0840166	GIB SCREW
167	P0840167	ROLL PIN 6 X 20
169	P0840169	PHLP HD SCR M4-.7 X 12



# Stand & Holddown Breakdown



## REF PART # DESCRIPTION

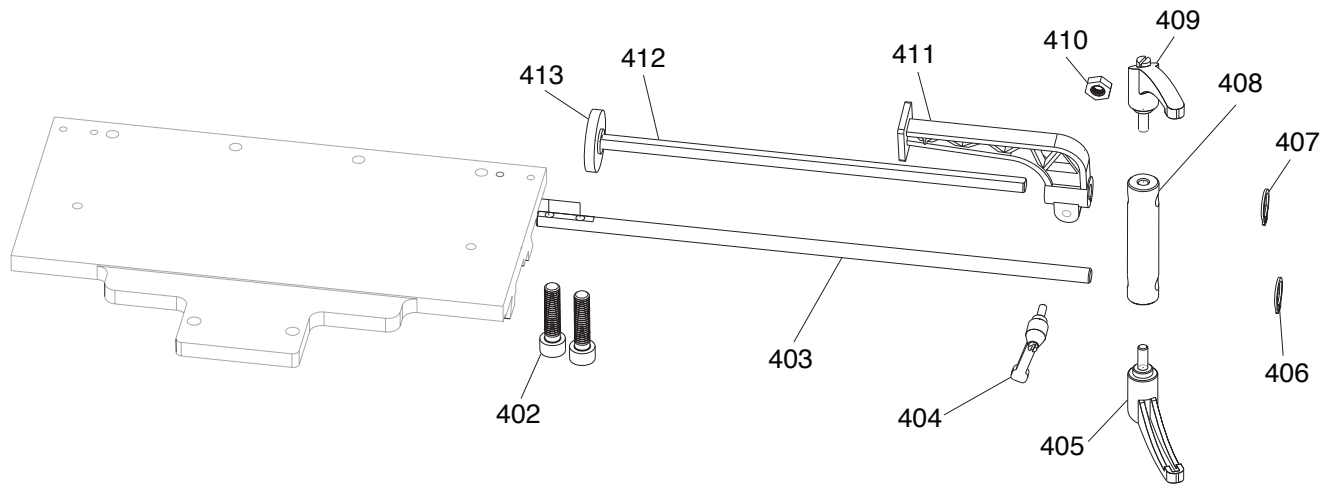
REF	PART #	DESCRIPTION
202	P0840202	STAND
203	P0840203	STAND DOOR
204	P0840204	DOOR LATCH
205	P0840205	HEX NUT M10-1.5
206	P0840206	FOOT
207	P0840207	HEX NUT M10-1.5
208	P0840208	FLAT WASHER 10MM
209	P0840209	LOCK WASHER 10MM
210	P0840210	CAP SCREW M12-1.75 X 40
211	P0840211	FOOT PLATE

## REF PART # DESCRIPTION

REF	PART #	DESCRIPTION
301	P0840301	SHOULDER STUD M10-1.5 X 12, 204L
302	P0840302	SETTING PIECE
303	P0840303	COMPRESSION SPRING
304	P0840304	CLAMPING BODY
305	P0840305	EXT RETAINING RING 16MM
306	P0840306	LOCK TAB
307	P0840307	LOCK PIN
308	P0840308	COMPRESSION SPRING
309	P0840309	ROLL PIN 4 X 28
310	P0840310	FLAT WASHER 10MM
311	P0840311	STOP DISC



# Work-Stop Breakdown



## REF PART # DESCRIPTION

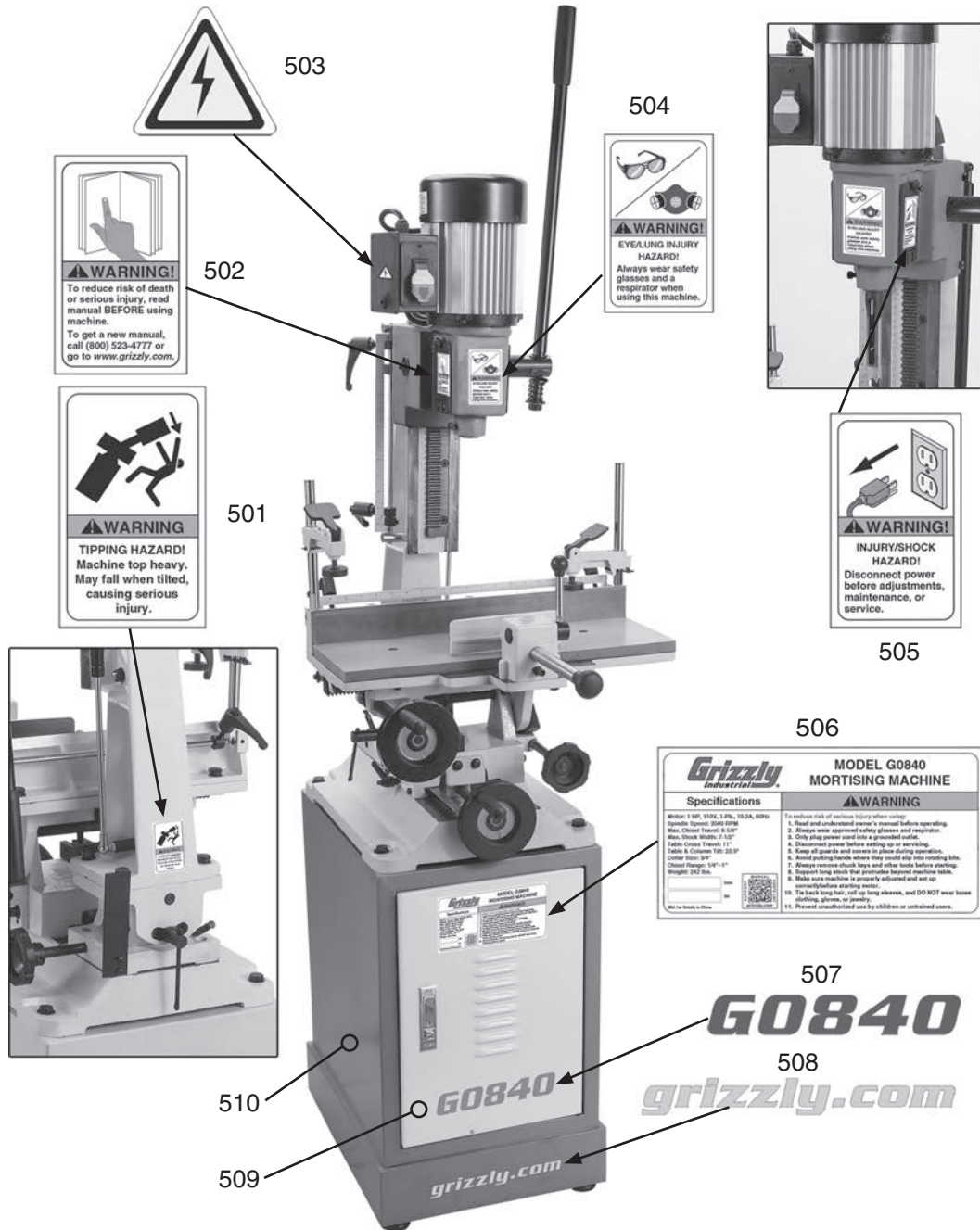
402	P0840402	CAP SCREW M6-1 X 25
403	P0840403	REAR LENGTH SETTING ROD
404	P0840404	ADJUSTABLE HANDLE M6-1 X 12 54L
405	P0840405	ADJUSTABLE HANDLE M8-1.25 X 26 88L
406	P0840406	EXT RETAINING RING 12MM
407	P0840407	EXT RETAINING RING 12MM

## REF PART # DESCRIPTION

408	P0840408	LENGTH SETTING BLOCK
409	P0840409	LOCKING HANDLE M8-1.25 X 26
410	P0840410	HEX NUT M6-1
411	P0840411	SECONDARY STOP
412	P0840412	FRONT LENGTH SETTING ROD
413	P0840413	STOP DISC



# Labels & Cosmetics



REF	PART #	DESCRIPTION
501	P0840501	TIPPING HAZARD WARNING
502	P0840502	READ MANUAL WARNING
503	P0840503	ELECTRICITY LABEL
504	P0840504	EYE/LUNG WARNING
505	P0840505	INJURY/SOCK WARNING

REF	PART #	DESCRIPTION
506	P0840506	MACHINE ID LABEL
507	P0840507	MODEL NUMBER LABEL
508	P0840508	GRIZZLY.COM LABEL
509	P0840509	TOUCH-UP PAINT, GREY PUTTY
510	P0840510	TOUCH-UP PAINT, GRIZZLY GREEN

**⚠ WARNING**

Safety labels help reduce the risk of serious injury caused by machine hazards. If any label comes off or becomes unreadable, the owner of this machine **MUST** replace it in the original location before resuming operations. For replacements, contact (800) 523-4777 or [www.grizzly.com](http://www.grizzly.com).

