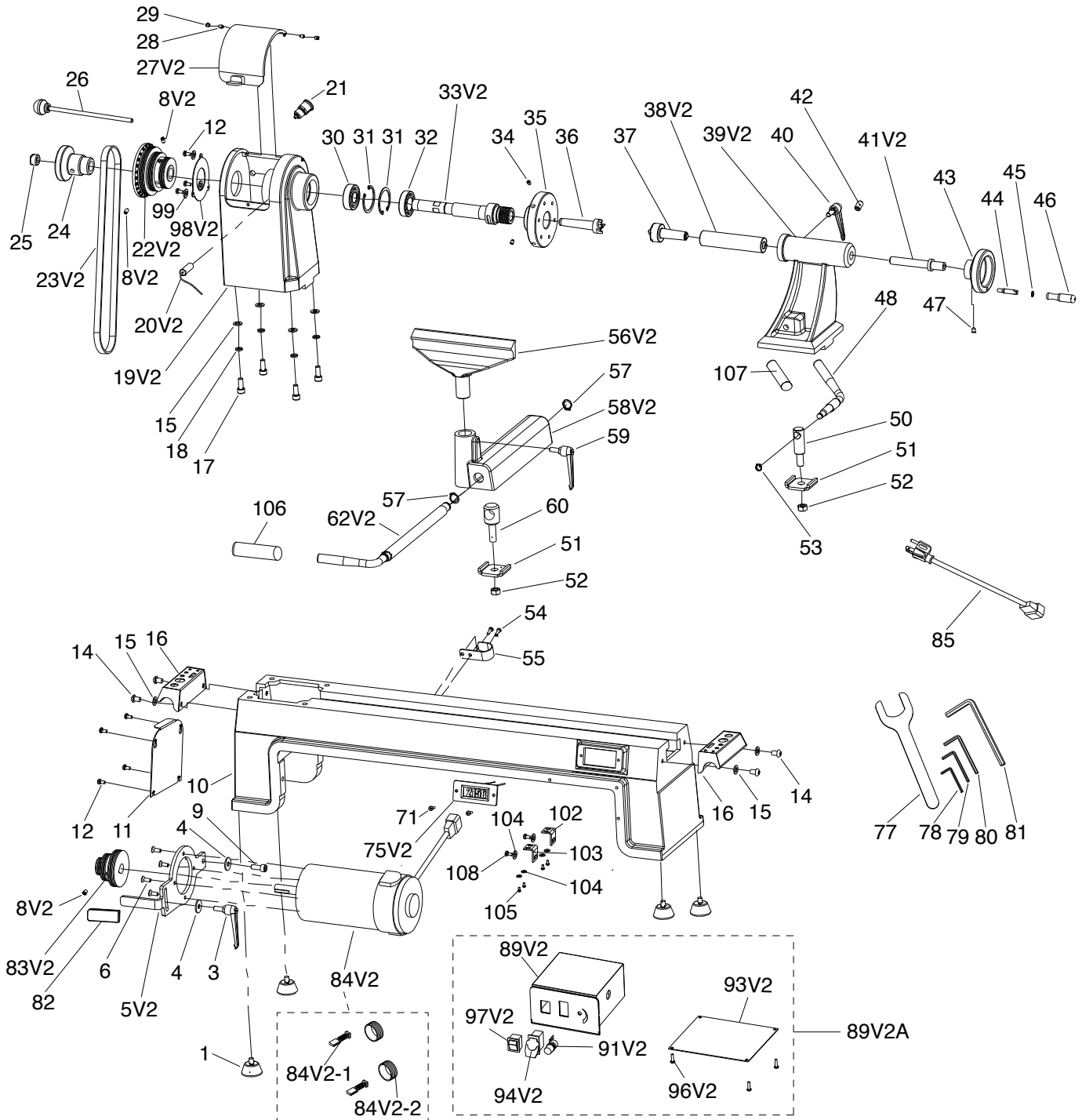


# SECTION 9: PARTS

We do our best to stock replacement parts when possible, but we cannot guarantee that all parts shown are available for purchase. Call (800) 523-4777 or visit [www.grizzly.com/parts](http://www.grizzly.com/parts) to check for availability.

## Main



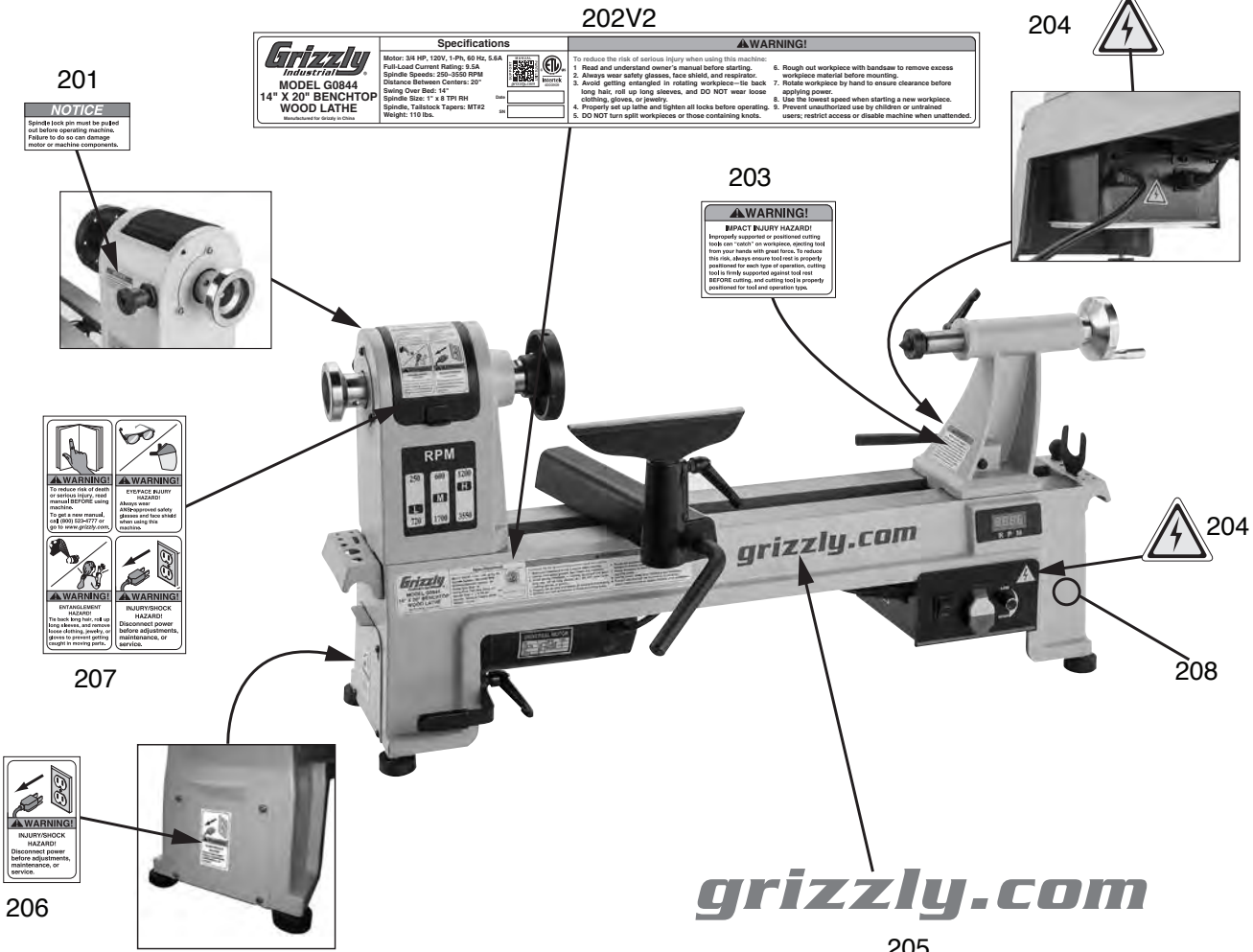
# Main Parts List

| REF  | PART #     | DESCRIPTION                          |
|------|------------|--------------------------------------|
| 1    | P0844001   | FOOT M8-1.25 X 18                    |
| 3    | P0844003   | BELT TENSION LEVER                   |
| 4    | P0844004   | FLAT WASHER 8MM                      |
| 5V2  | P0844005V2 | MOTOR MOUNTING PLATE V2.12.19        |
| 6    | P0844006   | FLAT HD CAP SCR M6-1 X 16            |
| 8V2  | P0844008V2 | SET SCREW M8-1.25 X 10               |
| 9    | P0844009   | CAP SCREW M8-1.25 X 16               |
| 10   | P0844010   | BED                                  |
| 11   | P0844011   | BELT ACCESS DOOR                     |
| 12   | P0844012   | PHLP HD SCR M5-.8 X 10               |
| 14   | P0844014   | PHLP HD SCR M8-1.25 X 12             |
| 15   | P0844015   | FLAT WASHER 8MM                      |
| 16   | P0844016   | ACCESSORIES TRAY                     |
| 17   | P0844017   | CAP SCREW M8-1.25 X 20               |
| 18   | P0844018   | LOCK WASHER 8MM                      |
| 19V2 | P0844019V2 | HEADSTOCK V2.03.19                   |
| 20V2 | P0844020V2 | DIGITAL TACHOMETER SENSOR V2.12.19   |
| 21   | P0844021   | LOCATION PIN ASSEMBLY                |
| 22V2 | P0844022V2 | SPINDLE PULLEY V2.12.19              |
| 23V2 | P0844023V2 | POLY-V BELT 310J5 V2.12.19           |
| 24   | P0844024   | OUTBOARD HANDWHEEL M20-2.5 X 25, 65D |
| 25   | P0844025   | EXT THREAD LOCK NUT M20-2.5 X 12     |
| 26   | P0844026   | KNOCKOUT ROD                         |
| 27V2 | P0844027V2 | HEADSTOCK COVER V2.03.19             |
| 28   | P0844028   | CAP SCREW M5-.8 X 10                 |
| 29   | P0844029   | SET SCREW M5-.8 X 6                  |
| 30   | P0844030   | BALL BEARING 6204-2RS                |
| 31   | P0844031   | INT RETAINING RING 47MM              |
| 32   | P0844032   | BALL BEARING 6005-2RS                |
| 33V2 | P0844033V2 | SPINDLE V2.12.19                     |
| 34   | P0844034   | CAP SCREW M6-1 X 8                   |
| 35   | P0844035   | FACE PLATE 4"                        |
| 36   | P0844036   | SPUR CENTER MT2                      |
| 37   | P0844037   | LIVE CENTER MT2                      |
| 38V2 | P0844038V2 | TAILSTOCK QUILL V2.03.19             |
| 39V2 | P0844039V2 | TAILSTOCK V2.03.19                   |
| 40   | P0844040   | QUILL LOCK LEVER M10-1.5 X 17        |
| 41V2 | P0844041V2 | LEADSCREW V2.03.19                   |
| 42   | P0844042   | CAP SCREW M8-1.25 X 10               |
| 43   | P0844043   | HANDWHEEL TYPE-28 80D X 15B-S X M6-1 |
| 44   | P0844044   | HANDWHEEL HANDLE SCREW M6-1 X 10     |
| 45   | P0844045   | FLAT WASHER 8MM                      |

| REF    | PART #       | DESCRIPTION                        |
|--------|--------------|------------------------------------|
| 46     | P0844046     | HANDWHEEL HANDLE                   |
| 47     | P0844047     | SET SCREW M8-1.25 X 12 CONE-PT     |
| 48     | P0844048     | TAILSTOCK LOCK LEVER               |
| 50     | P0844050     | TAILSTOCK CLAMP BOLT               |
| 51     | P0844051     | TAILSTOCK CLAMP                    |
| 52     | P0844052     | HEX NUT M12-1.75                   |
| 53     | P0844053     | EXT RETAINING RING 10MM            |
| 56V2   | P0844056V2   | TOOL REST 8"W X 1" POST V2.12.19   |
| 57     | P0844057     | EXT RETAINING RING 16MM            |
| 58V2   | P0844058V2   | TOOL REST BASE (BANJO) V2.12.19    |
| 59     | P0844059     | TOOL REST LOCK LEVER M10-1.5 X 18  |
| 60     | P0844060     | TOOL REST CLAMP BOLT               |
| 62V2   | P0844062V2   | TOOL REST BASE LOCK LEVER V2.12.19 |
| 71     | P0844071     | PHLP HD SCR M4-.7 X 8              |
| 75V2   | P0844075V2   | DIGITAL TACHOMETER V2.12.19        |
| 77     | P0844077     | OPEN-ENDED WRENCH 32MM             |
| 78     | P0844078     | HEX WRENCH 3MM                     |
| 79     | P0844079     | HEX WRENCH 4MM                     |
| 80     | P0844080     | HEX WRENCH 5MM                     |
| 81     | P0844081     | HEX WRENCH 12MM                    |
| 82     | P0844082     | RUBBER HANDLE SLEEVE               |
| 83V2   | P0844083V2   | MOTOR PULLEY V2.12.19              |
| 84V2   | P0844084V2   | MOTOR 3/4HP 110V DC 1-PH V2.12.19  |
| 84V2-1 | P0844084V2-1 | MOTOR BRUSH (2-PC SET)             |
| 84V2-2 | P0844084V2-2 | MOTOR BRUSH CAP                    |
| 85     | P0844085     | POWER CORD 16G 3W 78" 5-15P        |
| 89V2A  | P0844089V2A  | ELECTRICAL BOX ASSEMBLY V2.12.19   |
| 89V2   | P0844089V2   | ELECTRICAL BOX V2.12.19            |
| 91V2   | P0844091V2   | POTENTIOMETER V2.12.19             |
| 93V2   | P0844093V2   | ELECTRICAL BOX COVER V2.12.19      |
| 94V2   | P0844094V2   | ON/OFF SWITCH KEDU HY18 V2.12.19   |
| 96V2   | P0844096V2   | TAP SCREW M3 X 10                  |
| 97V2   | P0844097V2   | FWD/REV SWITCH KEDU HY12 V2.12.19  |
| 98V2   | P0844098V2   | HEADSTOCK REAR PLATE V2.07.20      |
| 99     | P0844099     | FLAT WASHER 5MM                    |
| 102    | P0844102     | MOUNTING BRACKET (REAR)            |
| 103    | P0844103     | MOUNTING BRACKET (FRONT)           |
| 104    | P0844104     | FLAT WASHER 5MM                    |
| 105    | P0844105     | CAP SCREW M5-.8 X 8                |
| 106    | P0844106     | TOOL REST BASE LEVER SLEEVE        |
| 107    | P0844107     | TAILSTOCK LOCK LEVER SLEEVE        |
| 108    | P0844108     | CAP SCREW M5-.8 X 12               |



# Labels & Cosmetics



| Specifications  |  | WARNING! |  |
|---|--|----------|--|
| <b>Grizzly</b><br>Industrial Tools<br>MODEL G0844<br>14" X 20" BENCHTOP<br>WOOD LATHE | Motor: 3/4 HP, 120V, 1 Ph, 60 Hz, S.A.<br>Full-Load Current Rating: 9.5A<br>Spindle Speeds: 250-3550 RPM<br>Distance Between Centers: 20"<br>Swing Over Bed: 14"<br>Spindle Size: 1" x 8 TPI RH<br>Spindle, Tailstock Tapers: MT#2<br>Weight: 110 lbs. |          | To reduce the risk of serious injury when using this machine:<br>1. Read and understand owner's manual before starting.<br>2. Always wear safety glasses, face shields, and respirator.<br>3. Avoid getting entangled in rotating workpiece—tie back long hair, roll up long sleeves, and DO NOT wear loose clothing, gloves, or jewelry.<br>4. Properly set up lathe and tighten all locks before operating.<br>5. DO NOT turn split workpieces or those containing knots.<br>6. Rough out workpiece with bandsaw to remove excess workpiece material before mounting.<br>7. Rotate workpiece by hand to ensure clearance before applying power.<br>8. Use the lowest speed when starting a new workpiece.<br>9. Prevent unauthorized use by children or untrained users: restrict access or disable machine when unattended. |

| REF   | PART #     | DESCRIPTION               |
|-------|------------|---------------------------|
| 201   | P0844201   | NOTICE LABEL              |
| 202V2 | P0844202V2 | MACHINE ID LABEL V2.12.19 |
| 203   | P0844203   | WARNING LABEL             |
| 204   | P0844204   | ELECTRICITY LABEL         |

| REF | PART #   | DESCRIPTION                  |
|-----|----------|------------------------------|
| 205 | P0844205 | GRIZZLY.COM LABEL            |
| 206 | P0844206 | DISCONNECT POWER LABEL       |
| 207 | P0844207 | MACHINE HAZARD LABEL         |
| 208 | P0844208 | TOUCH-UP PAINT GRIZZLY BIEGE |

**⚠ WARNING**

Safety labels help reduce the risk of serious injury caused by machine hazards. If any label comes off or becomes unreadable, the owner of this machine **MUST** replace it in the original location before resuming operations. For replacements, contact (800) 523-4777 or [www.grizzly.com](http://www.grizzly.com).

