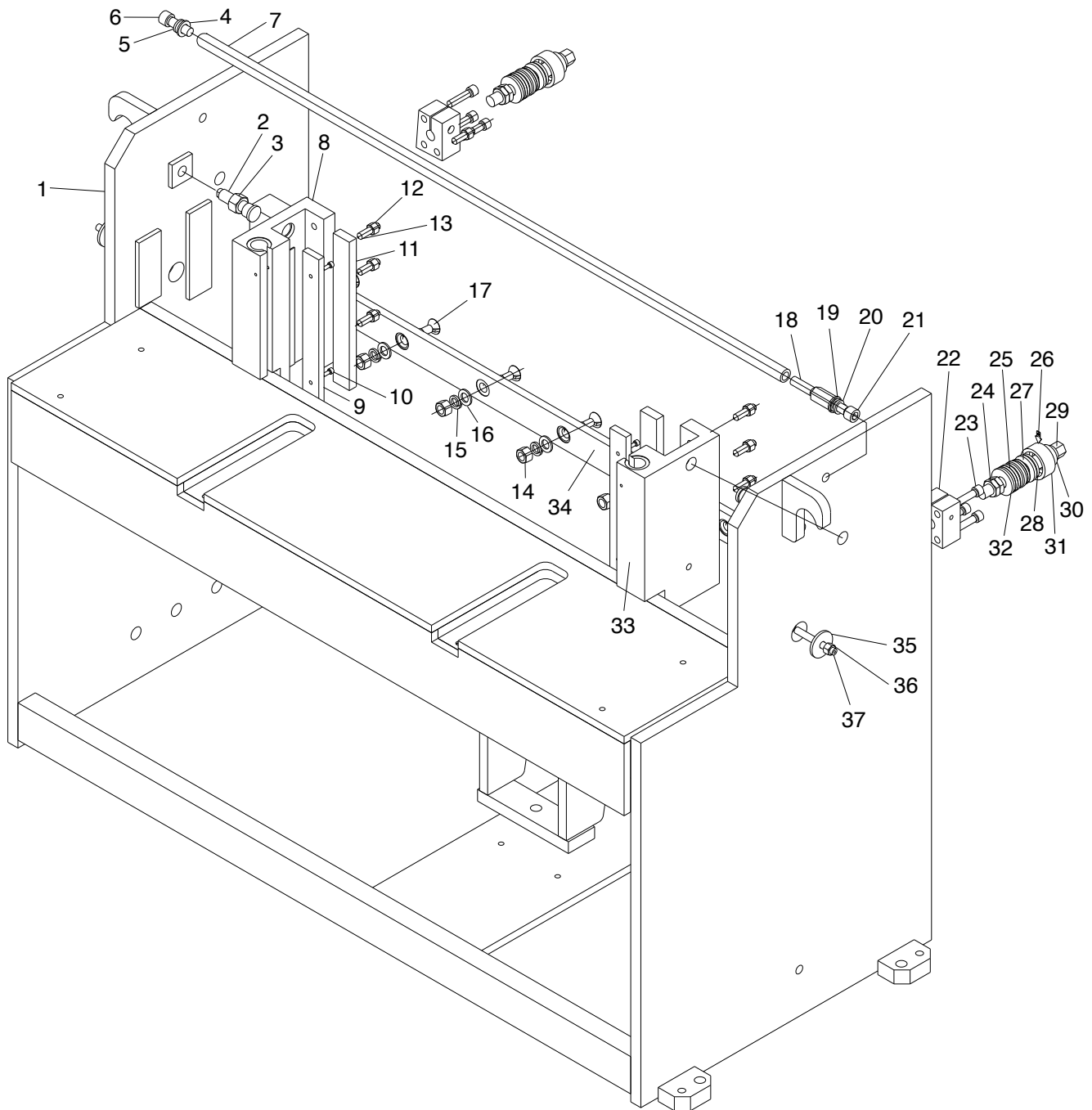


# SECTION 9: PARTS

## Frame



We do our best to stock replacement parts when possible, but we cannot guarantee that all parts shown are available for purchase. Call (800) 523-4777 or visit [www.grizzly.com/parts](http://www.grizzly.com/parts) to check for availability.



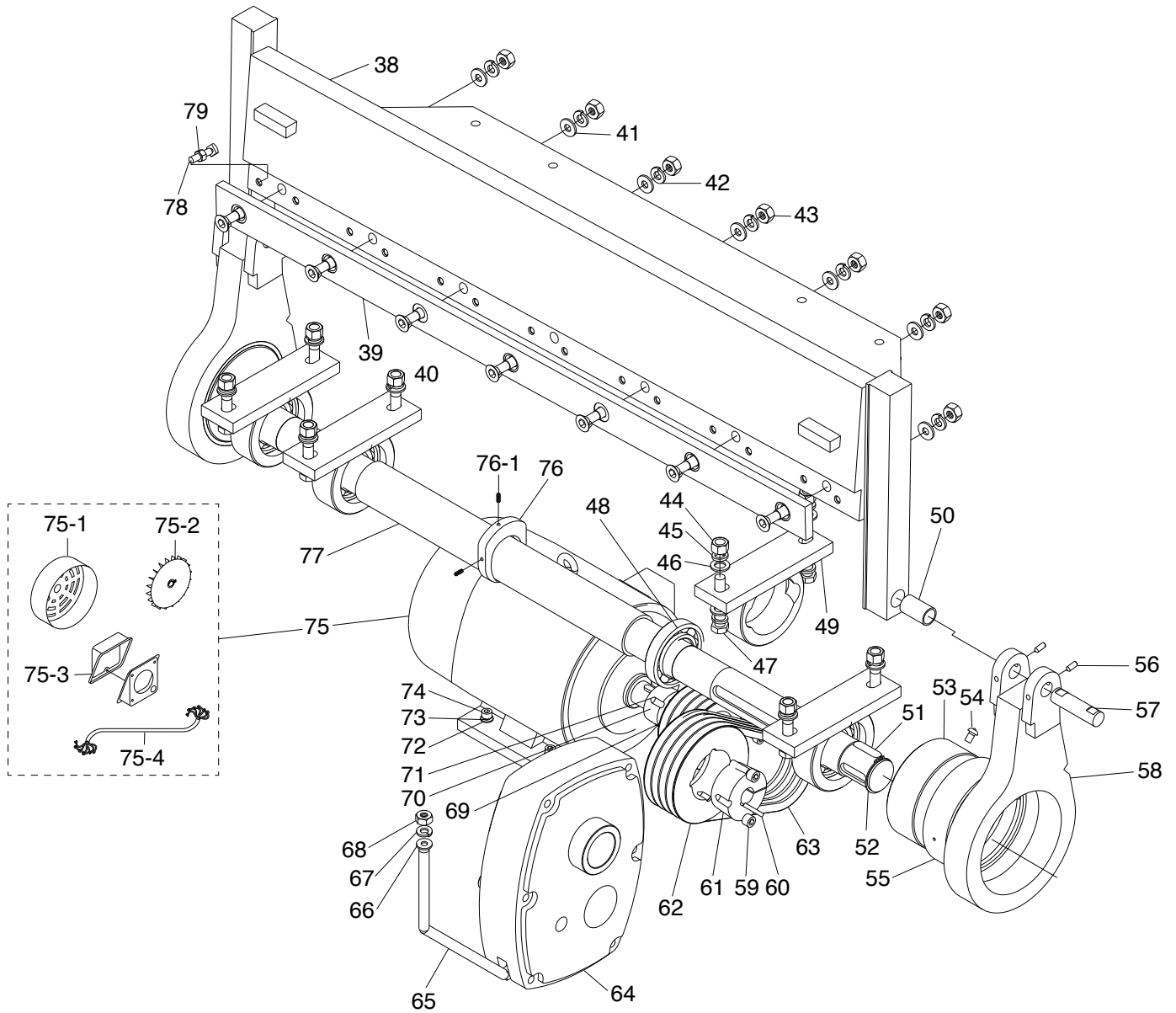
# Frame Parts List

REF	PART #	DESCRIPTION
1	P0845P001	FRAME
2	P0845P002	ECCENTRIC SHAFT
3	P0845P003	HEX NUT M20-2.5
4	P0845P004	LOCK WASHER 16MM
5	P0845P005	FLAT WASHER 16MM
6	P0845P006	CAP SCREW M16-2 X 50
7	P0845P007	SUPPORT BAR
8	P0845P008	BLADE GUIDE (LEFT)
9	P0845P009	FRONT GIB
10	P0845P010	CAP SCREW M16-2 X 16
11	P0845P011	REAR GIB
12	P0845P012	HEX NUT M12-1.75
13	P0845P013	SET SCREW M12-1.75 X 50
14	P0845P014	HEX NUT M16-2
15	P0845P015	LOCK WASHER 16MM
16	P0845P016	FLAT WASHER 16MM
17	P0845P017	FLAT HD SCR KEYED M16-2 X 70
18	P0845P018	CONNECTING ROD
19	P0845P019	LOCK WASHER 16MM

REF	PART #	DESCRIPTION
20	P0845P020	FLAT WASHER 16MM
21	P0845P021	CAP SCREW M16-2 X 50
22	P0845P022	BLADE QUICK ADJUST BASE
23	P0845P023	CAP SCREW M12-1.75 X 50
24	P0845P024	HEX NUT M20-2.5
25	P0845P025	COMPRESSION SPRING
26	P0845P026	POINTER
27	P0845P027	SPHERICAL WASHER 24MM
28	P0845P028	FLAT WASHER 20MM
29	P0845P029	BLADE QUICK ADJUST SHAFT
30	P0845P030	FLAT WASHER 26MM
31	P0845P031	BLADE GAP DIAL
32	P0845P032	FLAT WASHER 20MM
33	P0845P033	BLADE GUIDE (RIGHT)
34	P0845P034	LOWER BLADE
35	P0845P035	FLAT WASHER 13MM
36	P0845P036	HEX NUT M12-1.75
37	P0845P037	BLADE GUIDE RETAINING STUD



# Upper Blade-Motor-Gearbox Parts



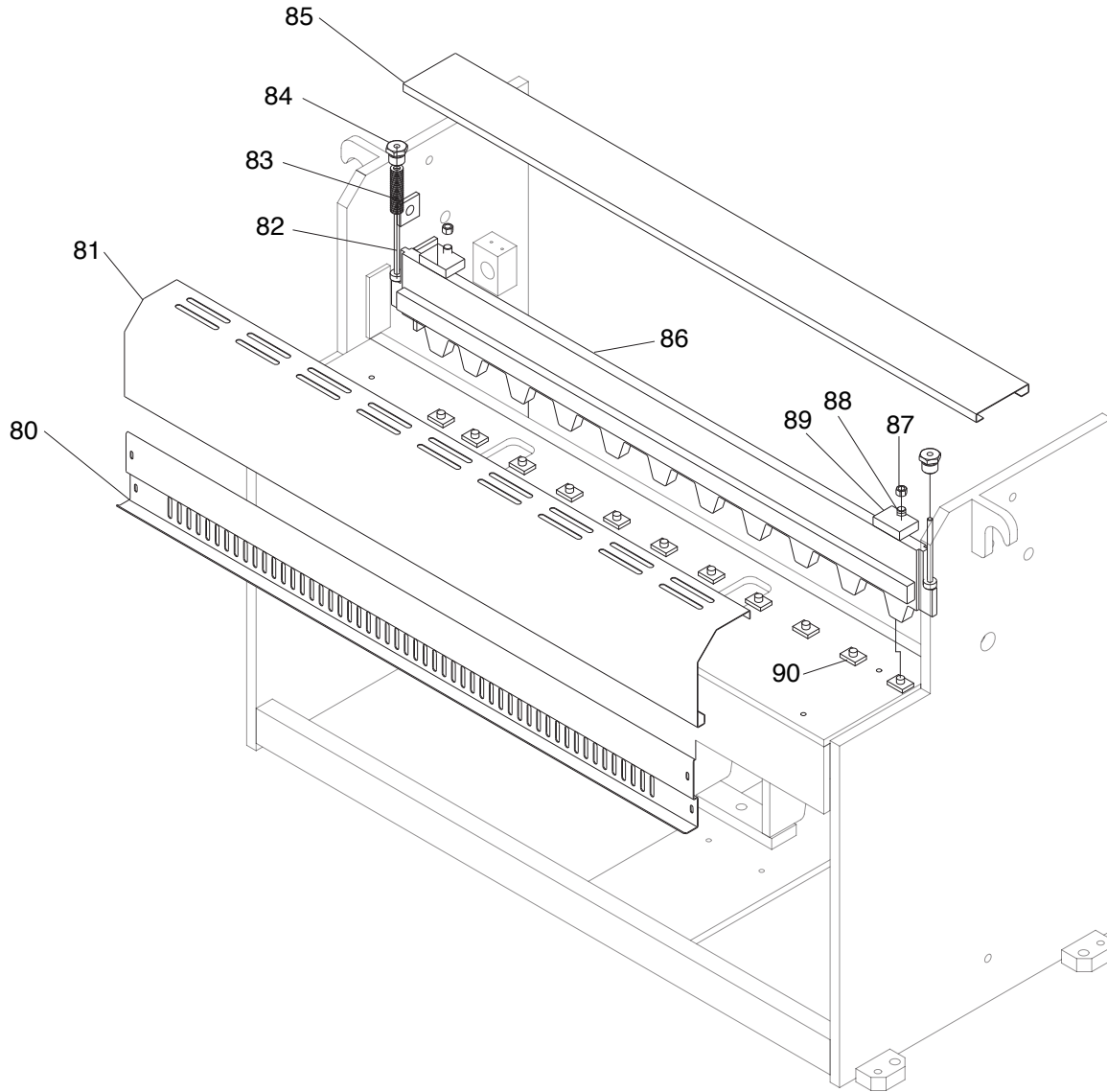
# Upper Blade-Motor-Gearbox Parts List

REF	PART #	DESCRIPTION
38	P0845P038	UPPER BLADE FRAME
39	P0845P039	UPPER BLADE
40	P0845P040	FLAT HD SCR KEYED M16-2 X 70
41	P0845P041	FLAT WASHER 16MM
42	P0845P042	LOCK WASHER 16MM
43	P0845P043	HEX NUT M16-2
44	P0845P044	HEX NUT M10-1.5
45	P0845P045	LOCK WASHER 16MM
46	P0845P046	FLAT WASHER 16MM
47	P0845P047	HEX BOLT M16-2 X 80
48	P0845P048	BALL BEARING ER-212 SEALMASTER
49	P0845P049	BEARING SEAT
50	P0845P050	SLEEVE
51	P0845P051	KEY 16 X 10 X 55
52	P0845P052	EXT RETAINING RING 55MM
53	P0845P053	ECCENTRIC CAM BUSHING
54	P0845P054	GREASE FITTING M10-1 STRAIGHT
55	P0845P055	BUSHING
56	P0845P056	SET SCREW M8-1.25 X 16
57	P0845P057	SHAFT
58	P0845P058	CONNECTING ROD
59	P0845P059	CAP SCREW M12-1.75 X 40
60	P0845P060	KEY 8 X 6 X 40
61	P0845P061	GEARBOX PULLEY SLEEVE

REF	PART #	DESCRIPTION
62	P0845P062	GEARBOX PULLEY
63	P0845P063	V-BELT A 800 LT
64	P0845P064	REDUCTION GEARBOX
65	P0845P065	GEARBOX MOUNT ROD
66	P0845P066	FLAT WASHER 16MM
67	P0845P067	LOCK WASHER 16MM
68	P0845P068	HEX NUT M16-2
69	P0845P069	DRIVE PULLEY
70	P0845P070	DRIVE PULLEY SLEEVE
71	P0845P071	CAP SCREW M10-1.5 X 40
72	P0845P072	CAP SCREW M10-1.5 X 40
73	P0845P073	FLAT WASHER 10MM
74	P0845P074	LOCK WASHER 10MM
75	P0845P075	MOTOR 7.5HP 220V 3-PH
75-1	P0845P075-1	MOTOR FAN COVER
75-2	P0845P075-2	MOTOR FAN
75-3	P0845P075-3	JUNCTION BOX
75-4	P0845P075-4	MOTOR POWER CORD 6W 48"
76	P0845P076	BLADE LIMIT SWITCH CAM
76-1	P0845P076-1	SET SCREW M8-1.25 X 10
77	P0845P077	MAIN SHAFT
78	P0845P078	JACK SCREW M10-1.5 X 45
79	P0845P079	HEX NUT M10-1.5



# Blade Guards & Hold-Down Clamp Parts

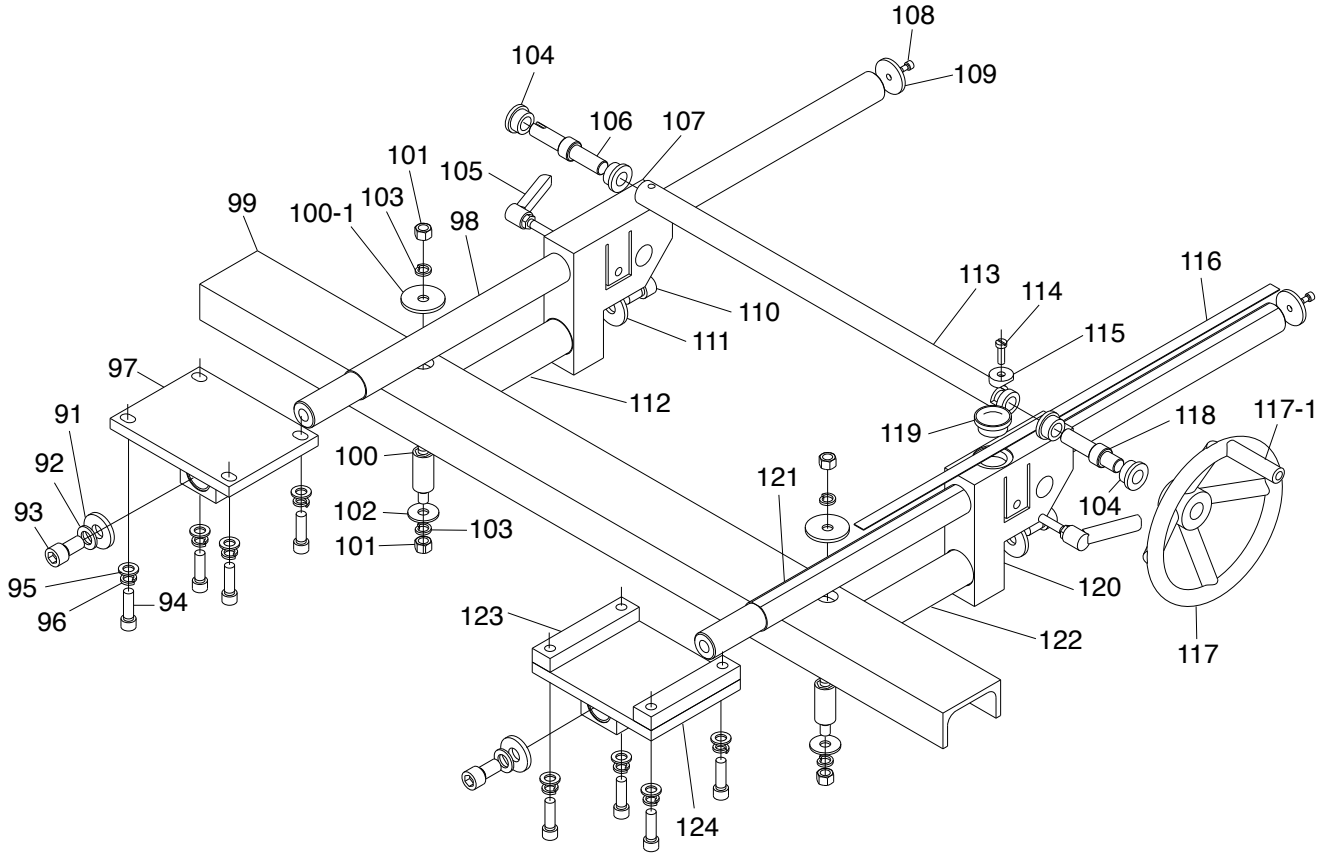


REF PART #	DESCRIPTION
80	P0845P080 FINGER GUARD
81	P0845P081 FRONT COVER
82	P0845P082 DISC SPRING STACK BAR
83	P0845P083 DISC SPRING STACK
84	P0845P084 CLAMP PRESSURE REGULATING NUT
85	P0845P085 TOP COVER

REF PART #	DESCRIPTION
86	P0845P086 HOLD DOWN PLATE
87	P0845P087 HEX NUT M16-2
88	P0845P088 KNURLED THUMB SCREW M12-1.75 X 56
89	P0845P089 CRASH PAD
90	P0845P090 CLAMP FOOT PAD



# Rear Work Stop Parts

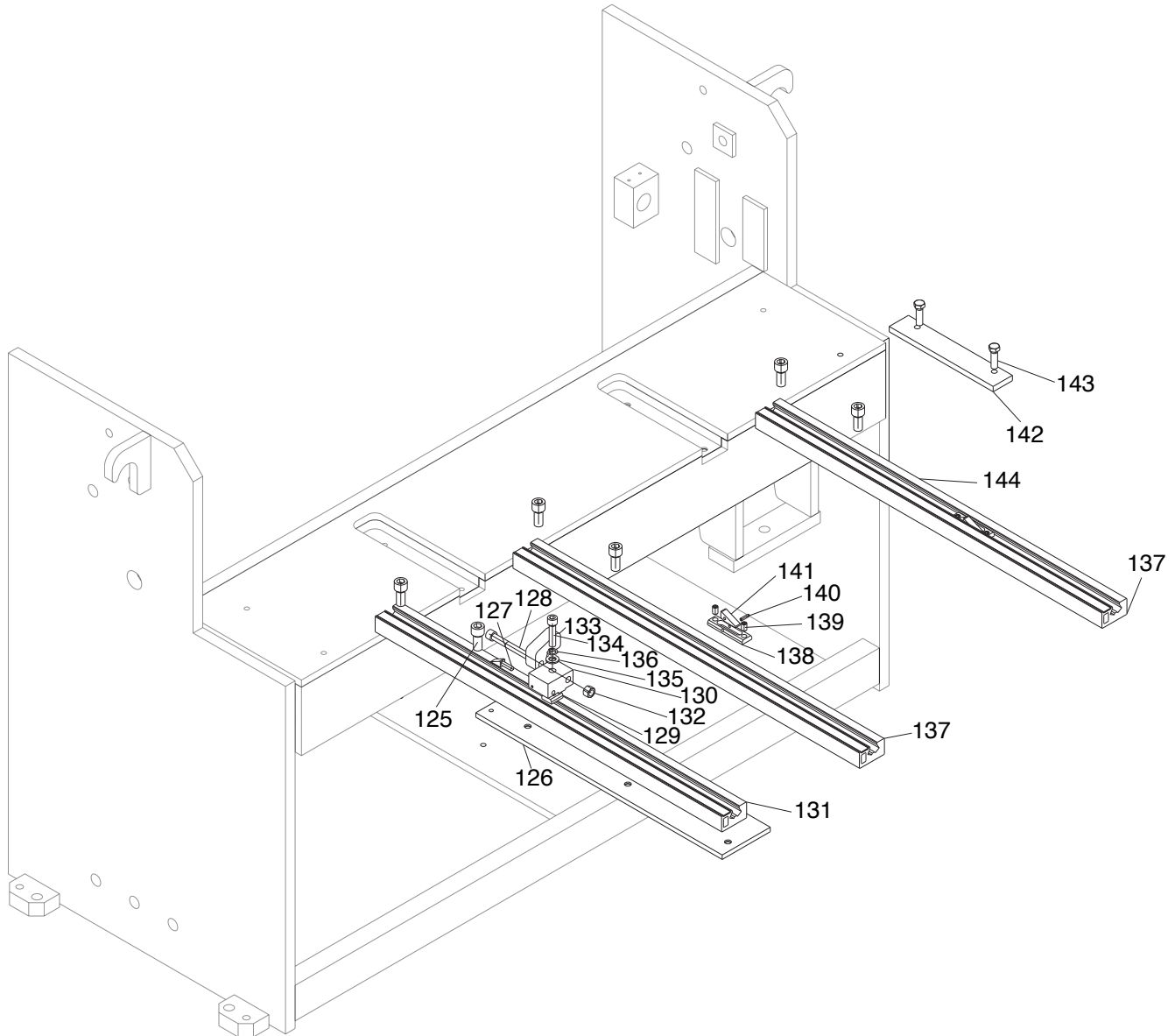


REF PART #	DESCRIPTION
91	P0845P091 DOCK WASHER 16 X 44 X 6MM
92	P0845P092 FLAT WASHER 16MM
93	P0845P093 CAP SCREW M16-2 X 30
94	P0845P094 CAP SCREW M12-1.75 X 40
95	P0845P095 FLAT WASHER 12MM
96	P0845P096 LOCK WASHER 12MM
97	P0845P097 MOUNTING PLATE (LEFT)
98	P0845P098 SUPPORT ROD (LEFT)
99	P0845P099 REAR WORK STOP
100	P0845P100 STANDOFF-RD MM, M12-1.75, 25 X 100
101	P0845P101 HEX NUT M12-1.75
102	P0845P102 FLAT WASHER 12MM
103	P0845P103 LOCK WASHER 12MM
104	P0845P104 COLLAR
105	P0845P105 ADJUSTABLE HANDLE M10-1.5 X 40, 94L
106	P0845P106 GEAR SHAFT (LEFT)
107	P0845P107 TRANSMISSION BLOCK (LEFT)
108	P0845P108 CAP SCREW M16-2 X 10

REF PART #	DESCRIPTION
109	P0845P109 FENDER WASHER 6MM
110	P0845P110 CAP SCREW M16-2 X 25
111	P0845P111 FENDER WASHER 16MM
112	P0845P112 CONNECTING ROD (LEFT)
113	P0845P113 SHAFT
114	P0845P114 SET SCREW M8-1.25 X 25
115	P0845P115 LOCK BLOCK
116	P0845P116 SCALE 0 – 25-1/2"
117	P0845P117 HANDWHEEL TYPE-16 195D X 22B-K X M10-1.5
117-1	P0845P117-1 HANDWHEEL HANDLE, M10-1.5 X 16, 25 X 84
118	P0845P118 GEARSHAFT (RIGHT)
119	P0845P119 MAGNIFYING LENS
120	P0845P120 TRANSMISSION BLOCK (RIGHT)
121	P0845P121 SUPPORT ROD (RIGHT)
122	P0845P122 CONNECTING ROD (RIGHT)
123	P0845P123 SUPPORT BLOCK
124	P0845P124 MOUNTING BLOCK (RIGHT)



# Support Rods Parts

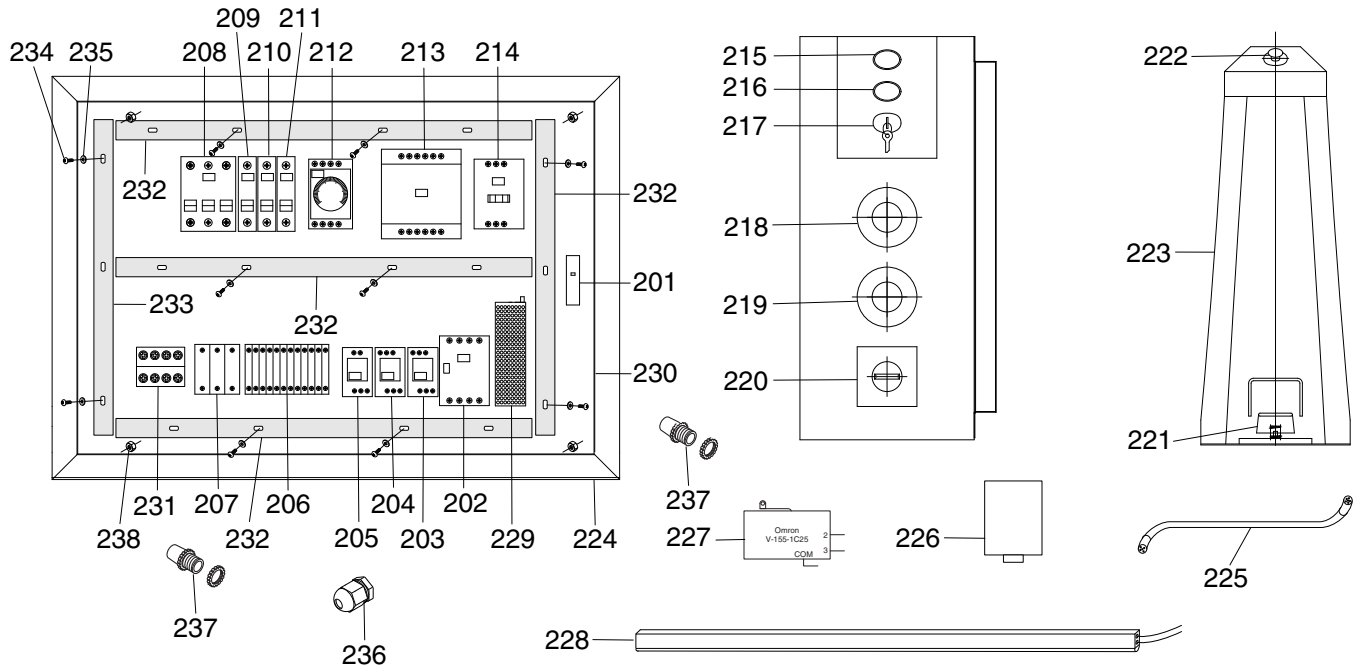


REF	PART #	DESCRIPTION
125	P0845P125	CAP SCREW M16-2 X 35
126	P0845P126	SUPPORT PLATE
127	P0845P127	INDICATOR
128	P0845P128	CAP SCREW M12-1.75 X 90
129	P0845P129	LOCK BLOCK
130	P0845P130	MOVING BLOCK
131	P0845P131	WORK STOP (LEFT)
132	P0845P132	HEX NUT M12-1.75
133	P0845P133	STOP BLOCK
134	P0845P134	CAP SCREW M12-1.75 X 50

REF	PART #	DESCRIPTION
135	P0845P135	FLAT WASHER 12MM
136	P0845P136	LOCK WASHER 12MM
137	P0845P137	FRONT SUPPORT
138	P0845P138	ADJUSTABLE BLOCK
139	P0845P139	SET SCREW M10-1.5 X 16
140	P0845P140	ROLL PIN 5 X 20
141	P0845P141	FLIP STOP
142	P0845P142	WORK STOP (RIGHT)
143	P0845P143	HEX BOLT M12-1.75 X 40
144	P0845P144	SCALE 4" - 38"



# Electrical Parts



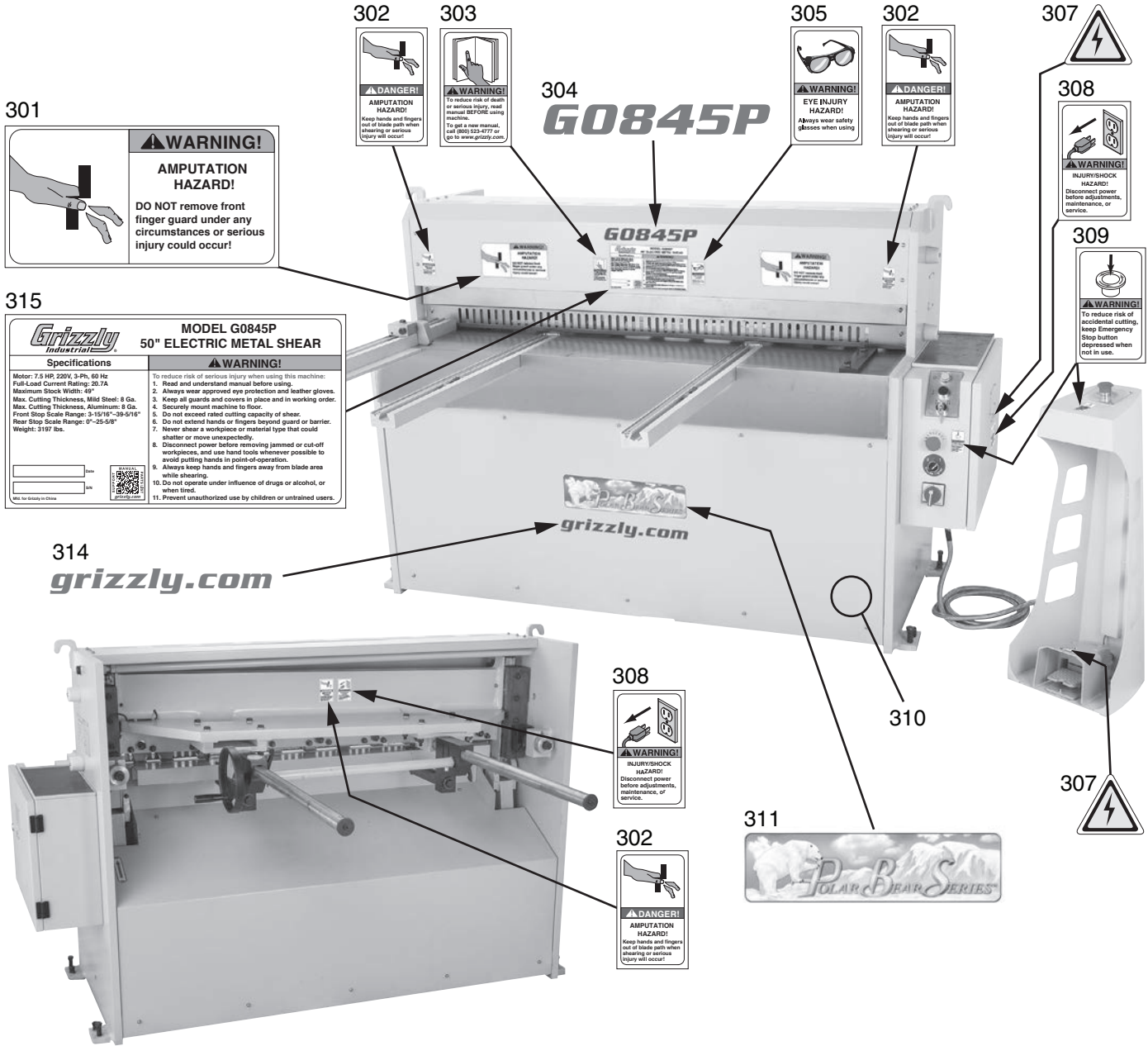
REF PART #	DESCRIPTION
201	P0845P201 BLADE LIGHT RELAY RV-1 270V 1A
202	P0845P202 RELAY SIEMENS 31E 3TH80
203	P0845P203 RELAY SCHNEIDER RXM4LB2B7 3A
204	P0845P204 RELAY SCHNEIDER RXM2LB2B7 5A
205	P0845P205 RELAY SCHNEIDER RXM2LB2B7 5A
206	P0845P206 TERMINAL BAR 11P
207	P0845P207 TERMINAL BAR 3P
208	P0845P208 BREAKER SCHNEIDER IC65N D-32A
209	P0845P209 BREAKER SCHNEIDER IC65N D-4A
210	P0845P210 BREAKER SCHNEIDER IC65N D-4A
211	P0845P211 BREAKER SCHNEIDER IC65N D-4A
212	P0845P212 TIME RELAY FBF ST3PC-B 5A
213	P0845P213 TRANSFORMER JBK5-300VA
214	P0845P214 CONTACTOR SCHNEIDER LC1E40
215	P0845P215 INDICATOR LIGHT SCHNEIDER XDJ2-24VAC
216	P0845P216 JOG BUTTON SCHNEIDER ZB2-BE101C
217	P0845P217 KEY SWITCH SCHNEIDER ZB2-BE102C
218	P0845P218 E-STOP SCHNEIDER ZB2-BE102C
219	P0845P219 LIGHT SWITCH SCHNEIDER ZB2-BE101C

REF PART #	DESCRIPTION
220	P0845P220 POWER SWITCH SCHNEIDER JFD11-32A
221	P0845P221 PEDAL SWITCH RCEN TFS-502
222	P0845P222 E-STOP SCHNEIDER ZB2-BE102C
223	P0845P223 FOOT PEDESTAL
224	P0845P224 ELECTRICAL BOX
225	P0845P225 PEDESTAL CORD SHIELDED 7-PIN 140"
226	P0845P226 LIMIT SWITCH TELEMACH XCKS131H29
227	P0845P227 LIMIT SWITCH OMRON V-155-1C25
228	P0845P228 BLADE LIGHT LED T5 12W 185-265VAC
229	P0845P229 POWER RELAY MEAN WELL NES-35-12
230	P0845P230 ELECTRICAL BOX MOUNTING PLATE
231	P0845P231 GROUNDING BLOCK 8P
232	P0845P232 WIRE LOOM 13"
233	P0845P233 WIRE LOOM 10"
234	P0845P234 PHLP HD SCR M4-.7 X 8
235	P0845P235 FENDER WASHER 5MM
236	P0845P236 STRAIN RELIEF TYPE-3 M24-1.5
237	P0845P237 STRAIN RELIEF TYPE-6 7/8"
238	P0845P238 HEX NUT M8-1.25





# Labels & Cosmetics



REF	PART #	DESCRIPTION
301	P0845P301	AMPUTATION WARNING
302	P0845P302	AMPUTATION DANGER
303	P0845P303	READ MANUAL WARNING
304	P0845P304	MODEL NUMBER LABEL
305	P0845P305	EYE INJURY HAZARD
307	P0845P307	ELECTRICAL LABEL

REF	PART #	DESCRIPTION
308	P0845P308	INJURY/SHOCK HAZARD
309	P0845P309	EMERGENCY STOP BUTTON WARNING
310	P0845P310	TOUCH-UP PAINT, POLAR BEAR WHITE
311	P0845P311	POLAR BEAR SERIES LABEL
314	P0845P314	GRIZZLY.COM LABEL
315	P0845P315	MACHINE ID LABEL

**⚠ WARNING**

Safety labels help reduce the risk of serious injury caused by machine hazards. If any label comes off or becomes unreadable, the owner of this machine **MUST** replace it in the original location before resuming operations. For replacements, contact (800) 523-4777 or [www.grizzly.com](http://www.grizzly.com).

**BUY PARTS ONLINE AT GRIZZLY.COM!**  
Scan QR code to visit our Parts Store.