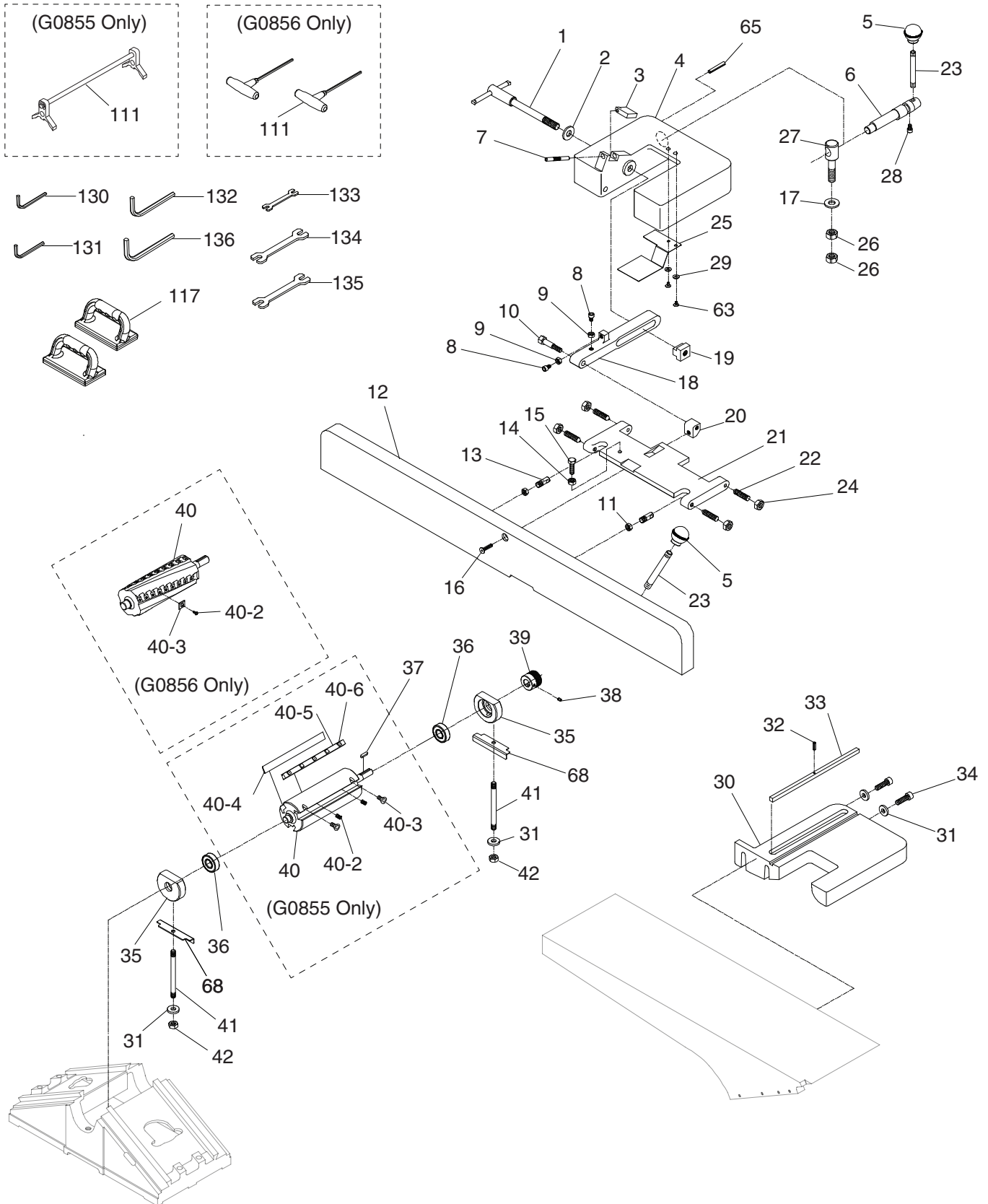
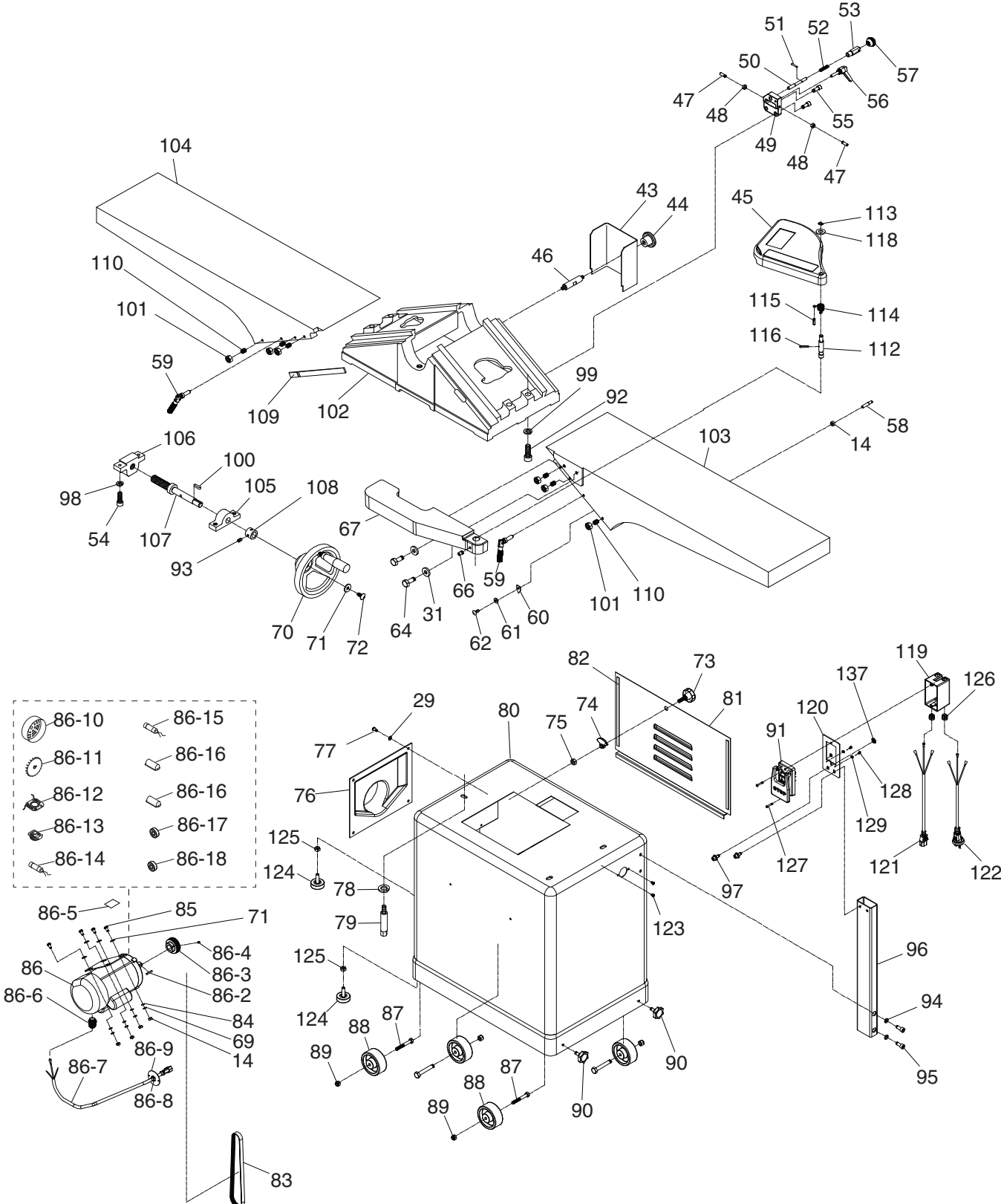


# SECTION 9: PARTS

## Fence & Cutterhead



# Tables, Base, Stand & Motor



# Parts List

REF	PART #	DESCRIPTION	REF	PART #	DESCRIPTION
1	P0855001	FENCE TILT LOCK LEVER 1/2-12	50	P0855050	SHAFT W/HOLE 2-3/4L
2	P0855002	FLAT WASHER 13MM	51	P0855051	ROLL PIN 3 X 20
3	P0855003	STOP BLOCK	52	P0855052	COMPRESSION SPRING
4	P0855004	FENCE CARRIAGE	53	P0855053	SPRING SLEEVE
5	P0855005	KNOB 3/8-16, D1-5/16, BALL	54	P0855054	CAP SCREW 3/8-16 X 1-1/4
6	P0855006	ECCENTRIC SHAFT 3/8-16, 5-1/4L	55	P0855055	CAP SCREW 5/16-18 X 3/4
7	P0855007	DOWEL PIN 5 X 50	56	P0855056	ADJUSTABLE HANDLE 2L, 1/4-20 X 1
8	P0855008	CAP SCREW 1/4-20 X 1-1/4	57	P0855057	KNOB 1/4-20, D7/8, BALL
9	P0855009	HEX NUT 1/4-20	58	P0855058	SET SCR 5/16-18 X 3/4, 1-5/16, SLOTTED
10	P0855010	SHOULDER BOLT 5/16-18 X 11/16, 3/8 X 1	59	P0855059	FOLDING HANDLE 2-1/4L, 5/16-18 X 1-3/16
11	P0855011	HEX NUT 1/2-20 THIN	60	P0855060	SCALE POINTER
12	P0855012	FENCE	61	P0855061	FLAT WASHER 4MM
13	P0855013	STUD-SE 1/2-20, 1-3/8, 11/16	62	P0855062	PHLP HD SCR 8/32 X 1/4
14	P0855014	HEX NUT 5/16-18	63	P0855063	PHLP HD SCR 1/4-20 X 1/2
15	P0855015	HEX BOLT 5/16-18 X 1-1/4	64	P0855064	HEX BOLT 3/8-16 X 1
16	P0855016	FLAT HD CAP SCR 5/16-18 X 1-1/2	65	P0855065	ROLL PIN 4 X 25
17	P0855017	FENDER WASHER 1/2	66	P0855066	SET SCREW 5/16-18 X 1/2
18	P0855018	FENCE LINK	67	P0855067	RABBETING TABLE
19	P0855019	T-NUT 1/2-12	68	P0855068	BEARING BLOCK PLATE
20	P0855020	FENCE BLOCK	69	P0855069	LOCK WASHER 5/16
21	P0855021	FENCE SWIVEL BASE	70	P0855070	TABLE HANDWHEEL W/HANDLE
22	P0855022	SET SCR 3/8-16 X 1-1/2, CONE-PT, SLOTTED	71	P0855071	FENDER WASHER 8.5 X 23 X 2MM
23	P0855023	STUD-DE 3/8-16 X 3-1/8, 3/8	72	P0855072	PHLP HD SCR 5/16-18 X 1/2
24	P0855024	HEX NUT 3/8-16 THIN	73	P0855073	KNOB BOLT 5-LOBE 3/8-16 X 1, D1-3/4
25	P0855025	SAFETY PLATE	74	P0855074	LATCH
26	P0855026	HEX NUT 1/2-12	75	P0855075	HEX NUT 3/8-16
27	P0855027	CAMLOCK STUD 1/2-12 X 1-1/2, 3-1/2L	76	P0855076	DUST PORT 4"
28	P0855028	CAP SCREW 1/4-20 X 1/2	77	P0855077	PHLP HD SCR 1/4-20 X 1/2
29	P0855029	FLAT WASHER 1/4	78	P0855078	LOCK WASHER 10MM
30	P0855030	FENCE BASE	79	P0855079	STANDOFF HEX 3/8-16 X 3/4, 3-5/16L
31	P0855031	FLAT WASHER 3/8	80	P0855080	CABINET STAND
32	P0855032	ROLL PIN 4 X 20	81	P0855081	REAR ACCESS PANEL
33	P0855033	KEY 9.5 X 9.5 X 268	82	P0855082	FOAM PAD
34	P0855034	CAP SCREW 3/8-16 X 1-1/2	83	P0855083	V-BELT 350J-7 35"
35	P0855035	BEARING BLOCK	84	P0855084	FLAT WASHER 5/16
36	P0855036	BALL BEARING 6204-2NSE	85	P0855085	HEX BOLT 5/16-18 X 3/4
37	P0855037	KEY 5 X 5 X 30	86	P0855086	MOTOR 3HP 230V 1-PH
38	P0855038	SET SCREW M6-1 X 8	86-2	P0855086-2	KEY 5 X 5 X 30
39	P0855039	CUTTERHEAD PULLEY	86-3	P0855086-3	MOTOR PULLEY
40	P0855040	CUTTERHEAD 8" 4-KNIFE (P0855)	86-4	P0855086-4	SET SCREW M6-1 X 8
40-2	P0855040-2	COMPRESSION SPRING (P0855)	86-5	P0855086-5	MOTOR LABEL
40-3	P0855040-3	FLAT HD CAP SCR M5-.8 X 12 (P0855)	86-6	P0855086-6	STRAIN RELIEF TYPE-3 PG13.5
40-4	P0855040-4	KNIFE 8 X 3/4 X 1/8 HSS (P0855)	86-7	P0855086-7	MOTOR CORD 14G 3W 32"
40-5	P0855040-5	KNIFE GIB (P0855)	86-8	P0855086-8	STRAIN RELIEF TYPE-1 3/4"
40-6	P0855040-6	KNIFE GIB BOLT 1/4-28 X 1/4 (P0855)	86-9	P0855086-9	BACKING BOARD
40	P0856040	SPIRAL CUTTERHEAD 8" (G0856)	86-10	P0855086-10	MOTOR FAN COVER
40-2	P0856040-2	FLAT HD TORX SCR T-25 10-32 X 1/2 (G0856)	86-11	P0855086-11	MOTOR FAN
40-3	P0856040-3	CARBIDE INSERT 15 X 15 X 2.5MM (G0856)	86-12	P0855086-12	CONTACT PLATE
41	P0855041	STUD-DE 3/8-24 X 4-3/4, 1/2	86-13	P0855086-13	CENTRIFUGAL SWITCH
42	P0855042	HEX NUT 3/8-24	86-14	P0855086-14	S CAPACITOR 400M 125V 1-1/2 X 3-1/2
43	P0855043	BELT COVER	86-15	P0855086-15	R CAPACITOR 70M 250V 1-1/2 X 3-1/2
44	P0855044	KNOB 5/16-18, D1-3/4, ROUND	86-16	P0855086-16	CAPACITOR COVER
45	P0855045	CUTTERHEAD GUARD	86-17	P0855086-17	BALL BEARING 6205-ZZ (FRONT)
46	P0855046	STANDOFF-HEX MM 5/16-18 X 3/8, 3	86-18	P0855086-18	BALL BEARING 6203-ZZ (REAR)
47	P0855047	SET SCREW 1/4-20 X 3/4	87	P0855087	WHEEL AXLE 3/8-16 X 1-3/16, 2-1/2L
48	P0855048	HEX NUT 1/4-20	88	P0855088	WHEEL
49	P0855049	DEPTH STOP BLOCK	89	P0855089	LOCK NUT 3/8-16



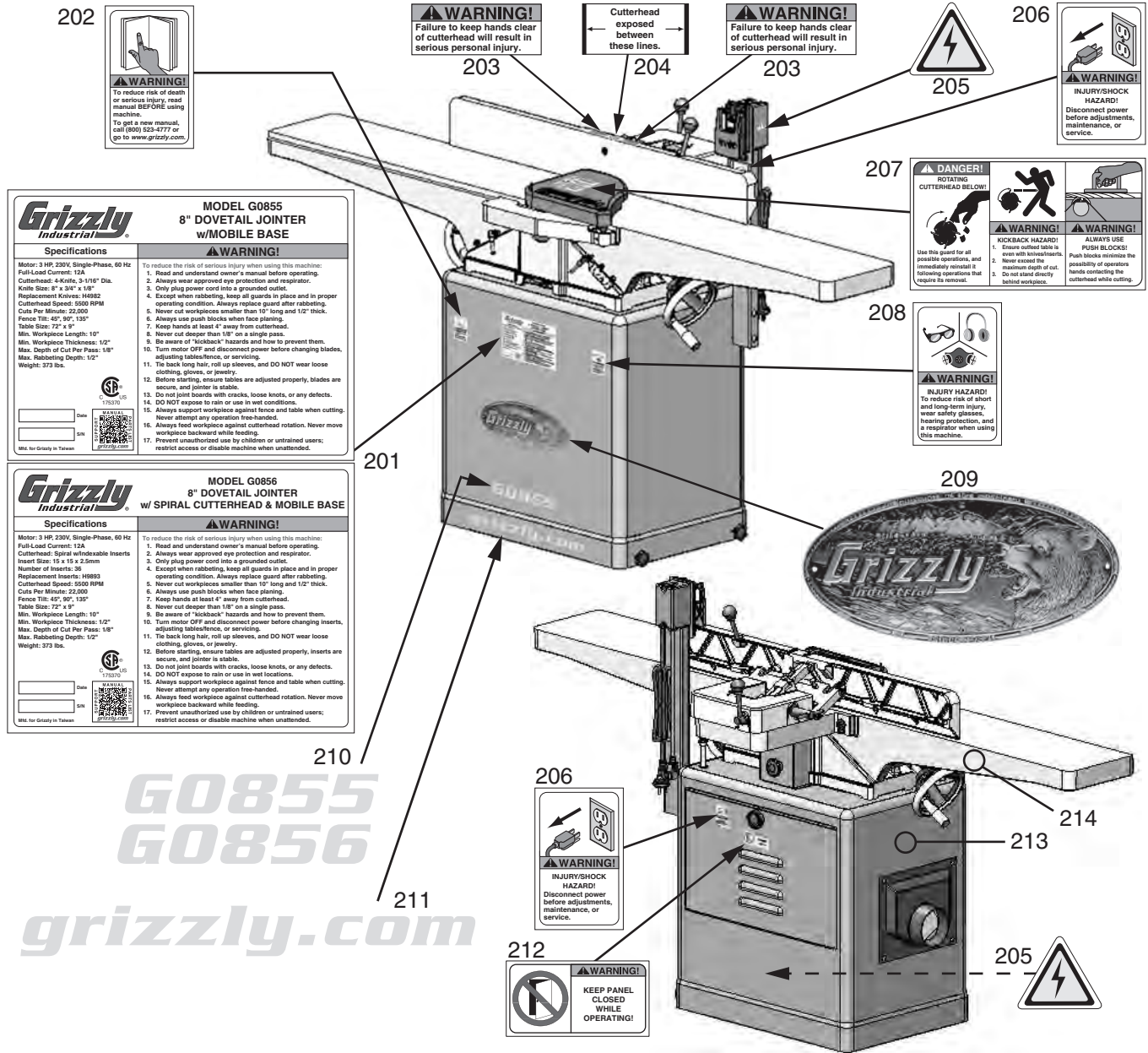
# Parts List (Cont.)

REF	PART #	DESCRIPTION
90	P0855090	KNOB BOLT 6-LOBE 5/16-18 X 3/4
91	P0855091	MAG SWITCH KEDU KJD17B-230V-S
92	P0855092	CAP SCREW 1/2-12 X 1-3/4
93	P0855093	SET SCREW 1/4-20 X 1/4
94	P0855094	LOCK WASHER 8MM
95	P0855095	CAP SCREW M8-1.25 X 70
96	P0855096	SWITCH PEDESTAL
97	P0855097	CAP SCREW M8-1.25 X 20 W/WASHERS
98	P0855098	LOCK WASHER 3/8
99	P0855099	LOCK WASHER 1/2
100	P0855100	KEY 5 X 5 X 22
101	P0855101	HEX NUT 5/16-18
102	P0855102	TABLE BASE
103	P0855103	INFEEED TABLE
104	P0855104	OUTFEED TABLE
105	P0855105	LEADSCREW SUPPORT
106	P0855106	LEADSCREW BRACKET
107	P0855107	LEADSCREW
108	P0855108	LEADSCREW COLLAR
109	P0855109	TABLE GIB
110	P0855110	SET SCREW 5/16-18 X 1-1/4 CONE-PT
111	P0855111	KNIFE-SETTING JIG (P0855)
111	P0856111	TORX DRIVER T-25 (G0856)
112	P0855112	GUARD PIVOT SHAFT
113	P0855113	EXT RETAINING RING 11MM

REF	PART #	DESCRIPTION
114	P0855114	TORSION SPRING
115	P0855115	ROLL PIN 6 X 28
116	P0855116	ROLL PIN 5 X 28
117	P0855117	PUSH BLOCKS
118	P0855118	FLAT WASHER 12MM
119	P0855119	SWITCH BOX
120	P0855120	SWITCH PLATE
121	P0855121	SWITCH CORD 14G 3W 20"
122	P0855122	POWER CORD 14G 3W 10' 6-20P
123	P0855123	TAP SCREW M6 X 8
124	P0855124	ADJUSTABLE FOOT M8-1.25
125	P0855125	HEX NUT M8-1.25
126	P0855126	STRAIN RELIEF TYPE-1 5/8"
127	P0855127	PHLP HD SCR M4-.7 X 25
128	P0855128	PHLP HD SCR M4-.7 X 6
129	P0855129	EXT TOOTH WASHER 4MM
130	P0855130	HEX WRENCH 3MM
131	P0855131	HEX WRENCH 4MM
132	P0855132	HEX WRENCH 5MM
133	P0855133	WRENCH 8 X 10 OPEN-ENDS
134	P0855134	WRENCH 12 X 14 OPEN-ENDS
135	P0855135	WRENCH 11 X 13 OPEN-ENDS
136	P0855136	HEX WRENCH 6MM
137	P0855137	GROUND LABEL



# Labels & Cosmetics



**Grizzly Industrial**

**MODEL G0855  
8" DOVETAIL JOINTER  
w/MOBILE BASE**

**Specifications**

Motor: 3 HP, 230V, Single-Phase, 60 Hz  
Full-Load Current: 12A  
Cutterhead: 4-Knife, 3-1/16" Dia.  
Knife Size: 8" x 3/4" x 1/8"  
Replacement Knives: H4882  
Cutterhead Speed: 5500 RPM  
Cuts Per Minute: 22,000  
Fence Tilt: 45°, 90°, 135°  
Table Size: 72" x 9"  
Min. Workpiece Length: 10"  
Min. Workpiece Thickness: 1/2"  
Max. Depth of Cut Per Pass: 1/8"  
Max. Rabbeting Depth: 1/2"  
Weight: 373 lbs.

**WARNING!**

To reduce the risk of serious injury when using this machine:

1. Read and understand owner's manual before operating.
2. Always wear approved eye protection and respirator.
3. Only plug power cord into a grounded outlet.
4. Except when rabbeting, keep all guards in place and in proper operating condition. Always replace guard after rabbeting.
5. Never cut workpieces smaller than 10" long and 1/2" thick.
6. Always use push blocks when face planing.
7. Keep hands at least 4" away from cutterhead.
8. Never cut deeper than 1/8" on a single pass.
9. Be aware of "kickback" hazards and how to prevent them.
10. Turn motor OFF and disconnect power before changing blades, adjusting table/fence, or servicing.
11. The back long hair, roll up sleeves, and DO NOT wear loose clothing, gloves, or jewelry.
12. Before starting, ensure tables are adjusted properly, blades are secure, and jointer is stable.
13. Do not joint boards with cracks, loose knots, or any defects.
14. DO NOT expose to rain or use in wet conditions.
15. Always support workpiece against fence and table when cutting. Never attempt any operation free-handed.
16. Always feed workpiece against cutterhead rotation. Never move workpiece backward while feeding.
17. Prevent unauthorized use by children or untrained users; restrict access or disable machine when unattended.

© 2015 Grizzly Industrial, Inc.  
MSR for Grizzly in Taiwan

**Grizzly Industrial**

**MODEL G0856  
8" DOVETAIL JOINTER  
w/ SPIRAL CUTTERHEAD & MOBILE BASE**

**Specifications**

Motor: 3 HP, 230V, Single-Phase, 60 Hz  
Full-Load Current: 12A  
Cutterhead: Spiral whiflexable Inserts  
Insert Size: 15 x 15 x 2.5mm  
Number of Inserts: 36  
Replacement Inserts: H8883  
Cutterhead Speed: 5500 RPM  
Cuts Per Minute: 22,000  
Fence Tilt: 45°, 90°, 135°  
Table Size: 72" x 9"  
Min. Workpiece Length: 10"  
Min. Workpiece Thickness: 1/2"  
Max. Depth of Cut Per Pass: 1/8"  
Max. Rabbeting Depth: 1/2"  
Weight: 373 lbs.

**WARNING!**

To reduce the risk of serious injury when using this machine:

1. Read and understand owner's manual before operating.
2. Always wear approved eye protection and respirator.
3. Only plug power cord into a grounded outlet.
4. Except when rabbeting, keep all guards in place and in proper operating condition. Always replace guard after rabbeting.
5. Never cut workpieces smaller than 10" long and 1/2" thick.
6. Always use push blocks when face planing.
7. Keep hands at least 4" away from cutterhead.
8. Never cut deeper than 1/8" on a single pass.
9. Be aware of "kickback" hazards and how to prevent them.
10. Turn motor OFF and disconnect power before changing inserts, adjusting table/fence, or servicing.
11. The back long hair, roll up sleeves, and DO NOT wear loose clothing, gloves, or jewelry.
12. Before starting, ensure tables are adjusted properly, inserts are secure, and jointer is stable.
13. Do not joint boards with cracks, loose knots, or any defects.
14. DO NOT expose to rain or use in wet locations.
15. Always support workpiece against fence and table when cutting. Never attempt any operation free-handed.
16. Always feed workpiece against cutterhead rotation. Never move workpiece backward while feeding.
17. Prevent unauthorized use by children or untrained users; restrict access or disable machine when unattended.

© 2015 Grizzly Industrial, Inc.  
MSR for Grizzly in Taiwan

REF	PART #	DESCRIPTION
201	P0855201	MACHINE ID LABEL (G0855)
201	P0856201	MACHINE ID LABEL (G0856)
202	P0855202	READ MANUAL LABEL
203	P0855203	CUTTERHEAD WARNING LABEL
204	P0855204	CUTTERHEAD EXPOSED LABEL
205	P0855205	ELECTRICITY LABEL
206	P0855206	DISCONNECT POWER LABEL
207	P0855207	CUTTERHEAD GUARD LABEL

REF	PART #	DESCRIPTION
208	P0855208	EYES EARS LUNGS WARNING LABEL
209	P0855209	GRIZZLY NAMEPLATE-SMALL
210	P0855210	MODEL NUMBER LABEL (G0855)
210	P0856210	MODEL NUMBER LABEL (G0856)
211	P0855211	GRIZZLY.COM LABEL
212	P0855212	PANEL CLOSED WARNING LABEL
213	P0855213	TOUCH-UP PAINT, GRIZZLY GREEN
214	P0855214	TOUCH-UP PAINT, GREY PUTTY

**WARNING**

Safety labels help reduce the risk of serious injury caused by machine hazards. If any label comes off or becomes unreadable, the owner of this machine **MUST** replace it in the original location before resuming operations. For replacements, contact (800) 523-4777 or [www.grizzly.com](http://www.grizzly.com).

