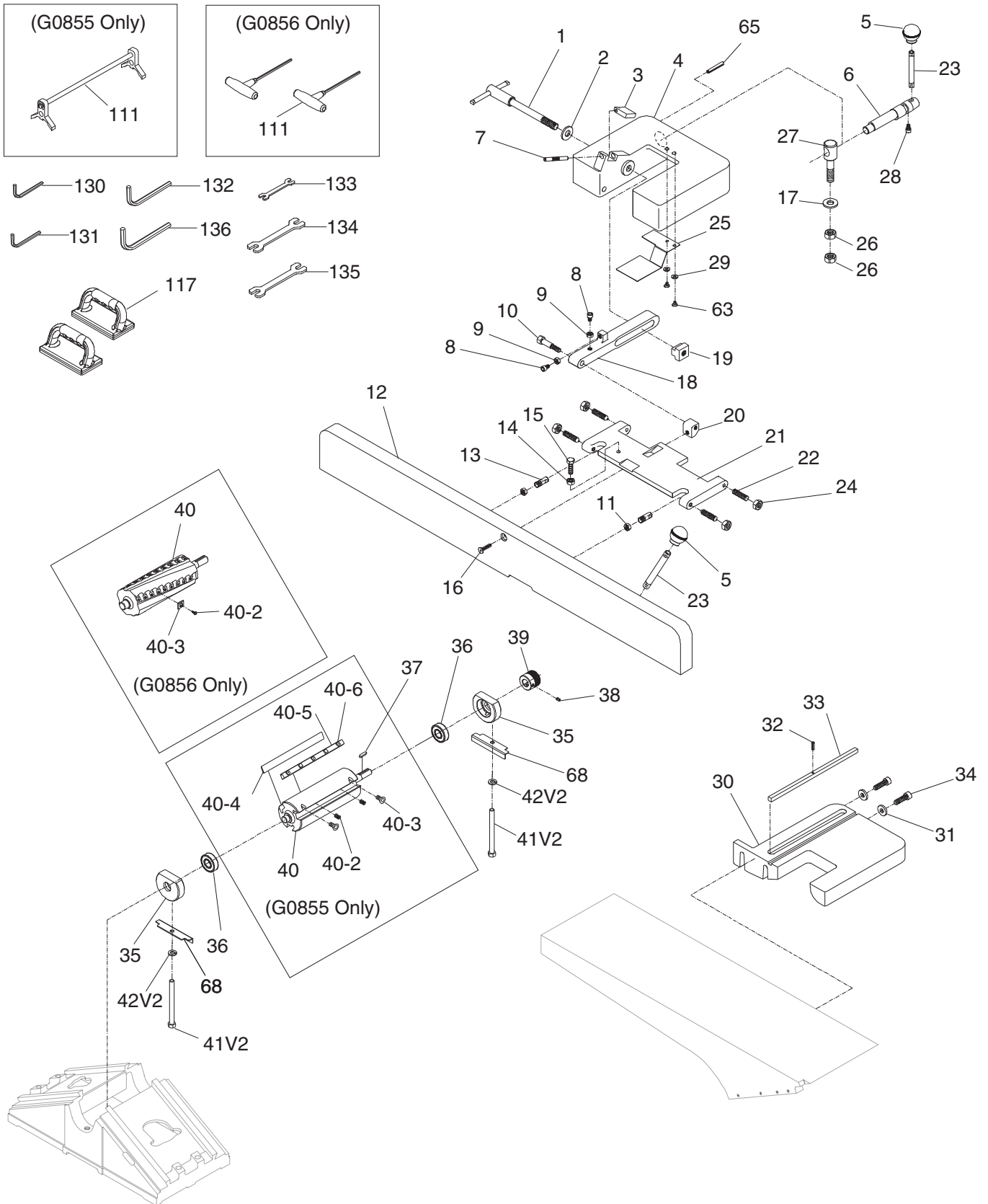


SECTION 9: PARTS

Fence & Cutterhead



Fence & Cutterhead Parts List

REF PART #	DESCRIPTION
1	P0855001 FENCE TILT LOCK LEVER 1/2-12
2	P0855002 FLAT WASHER 13MM
3	P0855003 STOP BLOCK
4	P0855004 FENCE CARRIAGE
5	P0855005 KNOB 3/8-16, D1-5/16, BALL
6	P0855006 ECCENTRIC SHAFT 3/8-16, 5-1/4L
7	P0855007 DOWEL PIN 5 X 50
8	P0855008 CAP SCREW 1/4-20 X 1-1/4
9	P0855009 HEX NUT 1/4-20
10	P0855010 SHOULDER BOLT 5/16-18 X 11/16, 3/8 X 1
11	P0855011 HEX NUT 1/2-20 THIN
12	P0855012 FENCE
13	P0855013 STUD-SE 1/2-20, 1-3/8, 11/16
14	P0855014 HEX NUT 5/16-18
15	P0855015 HEX BOLT 5/16-18 X 1-1/4
16	P0855016 FLAT HD CAP SCR 5/16-18 X 1-1/2
17	P0855017 FENDER WASHER 1/2
18	P0855018 FENCE LINK
19	P0855019 T-NUT 1/2-12
20	P0855020 FENCE BLOCK
21	P0855021 FENCE SWIVEL BASE
22	P0855022 SET SCR 3/8-16 X 1-1/2, CONE-PT, SLOTTED
23	P0855023 STUD-DE 3/8-16 X 3-1/8, 3/8
24	P0855024 HEX NUT 3/8-16 THIN
25	P0855025 SAFETY PLATE
26	P0855026 HEX NUT 1/2-12
27	P0855027 CAMLOCK STUD 1/2-12 X 1-1/2, 3-1/2L
28	P0855028 CAP SCREW 1/4-20 X 1/2
29	P0855029 FLAT WASHER 1/4
30	P0855030 FENCE BASE
31	P0855031 FLAT WASHER 3/8
32	P0855032 ROLL PIN 4 X 20

REF PART #	DESCRIPTION
33	P0855033 KEY 9.5 X 9.5 X 268
34	P0855034 CAP SCREW 3/8-16 X 1-1/2
35	P0855035 BEARING BLOCK
36	P0855036 BALL BEARING 6204-2NSE
37	P0855037 KEY 5 X 5 X 30
38	P0855038 SET SCREW M6-1 X 8
39	P0855039 CUTTERHEAD PULLEY
40	P0855040 CUTTERHEAD 8" 4-KNIFE (G0855)
40-2	P0855040-2 COMPRESSION SPRING (G0855)
40-3	P0855040-3 FLAT HD CAP SCR M5-.8 X 12 (G0855)
40-4	P0855040-4 KNIFE 8 X 3/4 X 1/8 HSS (G0855)
40-5	P0855040-5 KNIFE GIB (G0855)
40-6	P0855040-6 KNIFE GIB BOLT 1/4-28 X 1/4 (G0855)
40	P0856040 HELICAL CUTTERHEAD 8" (G0856)
40-2	P0856040-2 FLAT HD TORX SCR T-25 10-32 X 1/2 (G0856)
40-3	P0856040-3 CARBIDE INSERT 15 X 15 X 2.5MM (G0856)
41V2	P0855041V2 HEX BOLT 3/8-24 X 4-1/4 V2.01.21
42V2	P0855042V2 LOCK WASHER 9MM V2.01.21
63	P0855063 PHLP HD SCR 1/4-20 X 1/2
65	P0855065 ROLL PIN 4 X 25
68	P0855068 BEARING BLOCK PLATE
111	P0855111 KNIFE-SETTING JIG (G0855)
111	P0856111 TORX DRIVER T-25 (G0856)
117	P0855117 PUSH BLOCKS
130	P0855130 HEX WRENCH 3MM
131	P0855131 HEX WRENCH 4MM
132	P0855132 HEX WRENCH 5MM
133	P0855133 WRENCH 8 X 10 OPEN-ENDS
134	P0855134 WRENCH 12 X 14 OPEN-ENDS
135	P0855135 WRENCH 11 X 13 OPEN-ENDS
136	P0855136 HEX WRENCH 6MM

Please Note: We do our best to stock replacement parts whenever possible, but we cannot guarantee that all parts shown here are available for purchase. Call (800) 523-4777 or visit our online parts store at www.grizzly.com to check for availability.



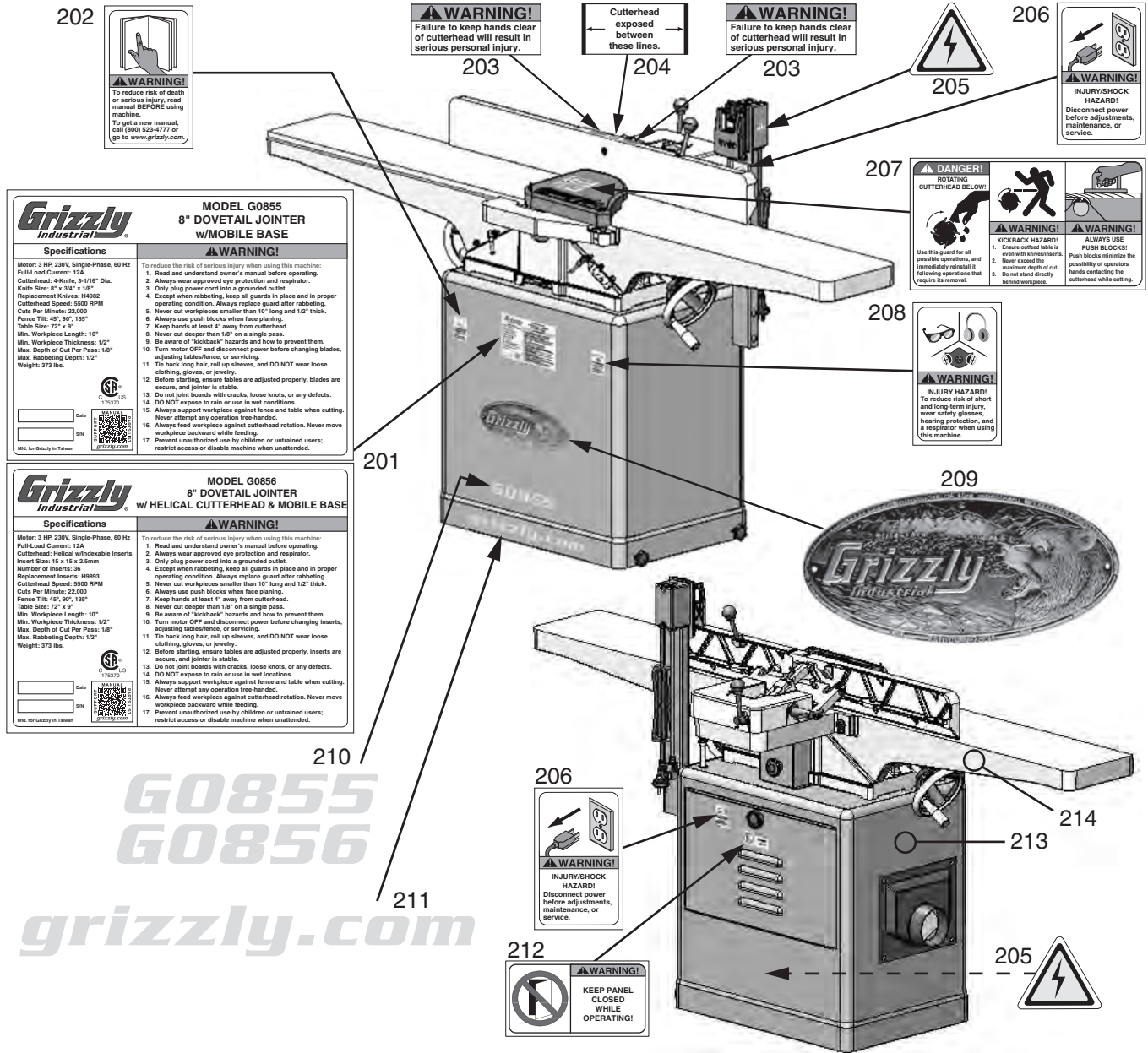
Tables, Base, Stand & Motor Parts List

REF	PART #	DESCRIPTION
14	P0855014	HEX NUT 5/16-18
29	P0855029	FLAT WASHER 1/4
31	P0855031	FLAT WASHER 3/8
43	P0855043	BELT COVER
44	P0855044	KNOB 5/16-18, D1-3/4, ROUND
45V2	P0855045V2	CUTTERHEAD GUARD V2.07.19
46	P0855046	STANDOFF-HEX MM 5/16-18 X 3/8, 3
47	P0855047	SET SCREW 1/4-20 X 3/4
48	P0855048	HEX NUT 1/4-20
49	P0855049	DEPTH STOP BLOCK
50	P0855050	SHAFT W/HOLE 2-3/4L
51	P0855051	ROLL PIN 3 X 20
52	P0855052	COMPRESSION SPRING
53	P0855053	SPRING SLEEVE
54	P0855054	CAP SCREW 3/8-16 X 1-1/4
55	P0855055	CAP SCREW 5/16-18 X 3/4
56	P0855056	ADJUSTABLE HANDLE 2L, 1/4-20 X 1
57	P0855057	KNOB 1/4-20, D7/8, BALL
58	P0855058	SET SCR 5/16-18 X 3/4, 1-5/16, SLOTTED
59	P0855059	FOLDING HANDLE 2-1/4L, 5/16-18 X 1-3/16
60	P0855060	SCALE POINTER
61	P0855061	FLAT WASHER 4MM
62	P0855062	PHLP HD SCR 8/32 X 1/4
64	P0855064	HEX BOLT 3/8-16 X 1
66V2	P0855066V2	CUTTERHEAD GUARD LOCK HANDLE V2.07.19
67	P0855067	RABBETING TABLE
69	P0855069	LOCK WASHER 5/16
70	P0855070	TABLE HANDWHEEL W/HANDLE
71	P0855071	FENDER WASHER 8.5 X 23 X 2MM
72	P0855072	PHLP HD SCR 5/16-18 X 1/2
73	P0855073	KNOB BOLT 5-LOBE 3/8-16 X 1, D1-3/4
74	P0855074	LATCH
75	P0855075	HEX NUT 3/8-16
76	P0855076	DUST PORT 4"
77	P0855077	PHLP HD SCR 1/4-20 X 1/2
78	P0855078	LOCK WASHER 10MM
79	P0855079	STANDOFF HEX 3/8-16 X 3/4, 3-5/16L
80	P0855080	CABINET STAND
81	P0855081	REAR ACCESS PANEL
82	P0855082	FOAM PAD
83	P0855083	POLY-V BELT 350J-7 35"
84	P0855084	FLAT WASHER 5/16
85V2	P0855085V2	CARRIAGE BOLT 5/16-18 X 3/4
86	P0855086	MOTOR 3HP 230V 1-PH
86-2	P0855086-2	KEY 5 X 5 X 30
86-3	P0855086-3	MOTOR PULLEY
86-4	P0855086-4	SET SCREW M6-1 X 8
86-5	P0855086-5	MOTOR LABEL
86-6	P0855086-6	STRAIN RELIEF TYPE-3 PG13.5
86-7	P0855086-7	MOTOR CORD 14G 3W 32"
86-8	P0855086-8	STRAIN RELIEF TYPE-1 3/4"

REF	PART #	DESCRIPTION
86-9	P0855086-9	BACKING BOARD
86-10	P0855086-10	MOTOR FAN COVER
86-11	P0855086-11	MOTOR FAN
86-12	P0855086-12	CONTACT PLATE
86-13	P0855086-13	CENTRIFUGAL SWITCH
86-14	P0855086-14	S CAPACITOR 400M 125V 1-1/2 X 3-1/2
86-15	P0855086-15	R CAPACITOR 70M 250V 1-1/2 X 3-1/2
86-16	P0855086-16	CAPACITOR COVER
86-17	P0855086-17	BALL BEARING 6205-ZZ (FRONT)
86-18	P0855086-18	BALL BEARING 6203-ZZ (REAR)
87	P0855087	WHEEL AXLE 3/8-16 X 1-3/16, 2-1/2L
88	P0855088	WHEEL
89	P0855089	LOCK NUT 3/8-16
90	P0855090	KNOB BOLT 6-LOBE 5/16-18 X 3/4
91	P0855091	MAG SWITCH KEDU KJD17B-230V-S
92	P0855092	CAP SCREW 1/2-12 X 1-3/4
93	P0855093	SET SCREW 1/4-20 X 1/4
94	P0855094	LOCK WASHER 8MM
95	P0855095	CAP SCREW M8-1.25 X 70
96	P0855096	SWITCH PEDESTAL
97	P0855097	CAP SCREW M8-1.25 X 20 W/WASHERS
98	P0855098	LOCK WASHER 3/8
99	P0855099	LOCK WASHER 1/2
100	P0855100	KEY 5 X 5 X 22
101	P0855101	HEX NUT 5/16-18
102A	P0855102A	TABLE ASSEMBLY
105	P0855105	LEADSCREW SUPPORT
106	P0855106	LEADSCREW BRACKET
107	P0855107	LEADSCREW
108	P0855108	LEADSCREW COLLAR
109	P0855109	TABLE GIB
110	P0855110	SET SCREW 5/16-18 X 1-1/4 CONE-PT
112V3	P0855112V3	GUARD PIVOT SHAFT V3.07.19
113	P0855113	EXT RETAINING RING 11MM
114V2	P0855114V2	TORSION SPRING V2.07.19
115V3	P0855115V3	ROLL PIN 6 X 28 V3.07.19
116V3	P0855116V3	ROLL PIN 5 X 26 V3.07.19
119	P0855119	SWITCH BOX
120	P0855120	SWITCH PLATE
121	P0855121	SWITCH CORD 14G 3W 20"
122	P0855122	POWER CORD 14G 3W 10' 6-20P
123	P0855123	TAP SCREW M6 X 8
124	P0855124	ADJUSTABLE FOOT M8-1.25
125	P0855125	HEX NUT M8-1.25
126	P0855126	STRAIN RELIEF TYPE-1 5/8"
127	P0855127	PHLP HD SCR M4-.7 X 25
128	P0855128	PHLP HD SCR M4-.7 X 6
129	P0855129	EXT TOOTH WASHER 4MM
137	P0855137	GROUND LABEL
140	P0855140	FENDER WASHER 6.7 X 19 X 2MM
141	P0855141	BUTTON HD CAP SCR M6-1 X 12



Labels & Cosmetics



Grizzly Industrial

**MODEL G0855
8" DOVETAIL JOINTER
w/MOBILE BASE**

Specifications

Motor: 3 HP, 230V, Single-Phase, 60 Hz
Full-Load Current: 12A
Cutterhead: 4-Knife, 3-1/16" Dia.
Knife Size: 8" x 3/4" x 1/8"
Replacement Knives: H4982
Cutterhead Speed: 5500 RPM
Cuts Per Minute: 22,000
Fence Tilt: 45°, 90°, 135°
Table Size: 72" x 9"
Min. Workpiece Length: 10"
Min. Workpiece Thickness: 1/2"
Max. Depth of Cut Per Pass: 1/8"
Max. Rabbeting Depth: 1/2"
Weight: 373 lbs.

WARNING!

To reduce the risk of serious injury when using this machine:

1. Read and understand owner's manual before operating.
2. Always wear approved eye protection and respirator.
3. Only plug power cord into a grounded outlet.
4. Except when rabbeting, keep all guards in place and in proper operating condition. Always replace guard after rabbeting.
5. Never cut workpiece smaller than 10" long and 1/2" thick.
6. Always use push blocks when face planing.
7. Keep hands at least 4" away from cutterhead.
8. Never cut deeper than 1/8" on a single pass.
9. Be aware of "kickback" hazards and how to prevent them.
10. Turn motor OFF and disconnect power before changing blades, adjusting table/fence, or servicing.
11. The back long hair, roll up sleeves, and DO NOT wear loose clothing, gloves, or jewelry.
12. Before starting, ensure tables are adjusted properly, blades are secure, and jointer is stable.
13. Do not joint boards with cracks, loose knots, or any defects.
14. DO NOT expose to rain or use in wet conditions.
15. Always support workpiece against fence and table when cutting. Never attempt any operation free-handed.
16. Always feed workpiece against cutterhead rotation. Never move workpiece backward while feeding.
17. Prevent unauthorized use by children or untrained users; restrict access or disable machine when unattended.

© 2015 Grizzly Industrial, Inc.
G0855-01
G0855-01

Grizzly Industrial

**MODEL G0856
8" DOVETAIL JOINTER
w/HELICAL CUTTERHEAD & MOBILE BASE**

Specifications

Motor: 3 HP, 230V, Single-Phase, 60 Hz
Full-Load Current: 12A
Cutterhead: Helical, replaceable Inserts
Insert Size: 15 x 15 x 2.5mm
Number of Inserts: 36
Replacement Inserts: H8983
Cutterhead Speed: 5500 RPM
Cuts Per Minute: 22,000
Fence Tilt: 45°, 90°, 135°
Table Size: 72" x 9"
Min. Workpiece Length: 10"
Min. Workpiece Thickness: 1/2"
Max. Depth of Cut Per Pass: 1/8"
Max. Rabbeting Depth: 1/2"
Weight: 373 lbs.

WARNING!

To reduce the risk of serious injury when using this machine:

1. Read and understand owner's manual before operating.
2. Always wear approved eye protection and respirator.
3. Only plug power cord into a grounded outlet.
4. Except when rabbeting, keep all guards in place and in proper operating condition. Always replace guard after rabbeting.
5. Never cut workpiece smaller than 10" long and 1/2" thick.
6. Always use push blocks when face planing.
7. Keep hands at least 4" away from cutterhead.
8. Never cut deeper than 1/8" on a single pass.
9. Be aware of "kickback" hazards and how to prevent them.
10. Turn motor OFF and disconnect power before changing inserts, adjusting table/fence, or servicing.
11. The back long hair, roll up sleeves, and DO NOT wear loose clothing, gloves, or jewelry.
12. Before starting, ensure tables are adjusted properly, inserts are secure, and jointer is stable.
13. Do not joint boards with cracks, loose knots, or any defects.
14. DO NOT expose to rain or use in wet locations.
15. Always support workpiece against fence and table when cutting. Never attempt any operation free-handed.
16. Always feed workpiece against cutterhead rotation. Never move workpiece backward while feeding.
17. Prevent unauthorized use by children or untrained users; restrict access or disable machine when unattended.

© 2015 Grizzly Industrial, Inc.
G0856-01
G0856-01

REF	PART #	DESCRIPTION
201	P0855201	MACHINE ID LABEL (G0855)
201	P0856201	MACHINE ID LABEL (G0856)
202	P0855202	READ MANUAL LABEL
203	P0855203	CUTTERHEAD WARNING LABEL
204	P0855204	CUTTERHEAD EXPOSED LABEL
205	P0855205	ELECTRICITY LABEL
206	P0855206	DISCONNECT POWER LABEL
207	P0855207	CUTTERHEAD GUARD LABEL

REF	PART #	DESCRIPTION
208	P0855208	EYES EARS LUNGS WARNING LABEL
209	P0855209	GRIZZLY NAMEPLATE-SMALL
210	P0855210	MODEL NUMBER LABEL (G0855)
210	P0856210	MODEL NUMBER LABEL (G0856)
211	P0855211	GRIZZLY.COM LABEL
212	P0855212	PANEL CLOSED WARNING LABEL
213	P0855213	TOUCH-UP PAINT, GRIZZLY GREEN
214	P0855214	TOUCH-UP PAINT, GREY PUTTY

WARNING

Safety labels help reduce the risk of serious injury caused by machine hazards. If any label comes off or becomes unreadable, the owner of this machine **MUST** replace it in the original location before resuming operations. For replacements, contact (800) 523-4777 or www.grizzly.com.

