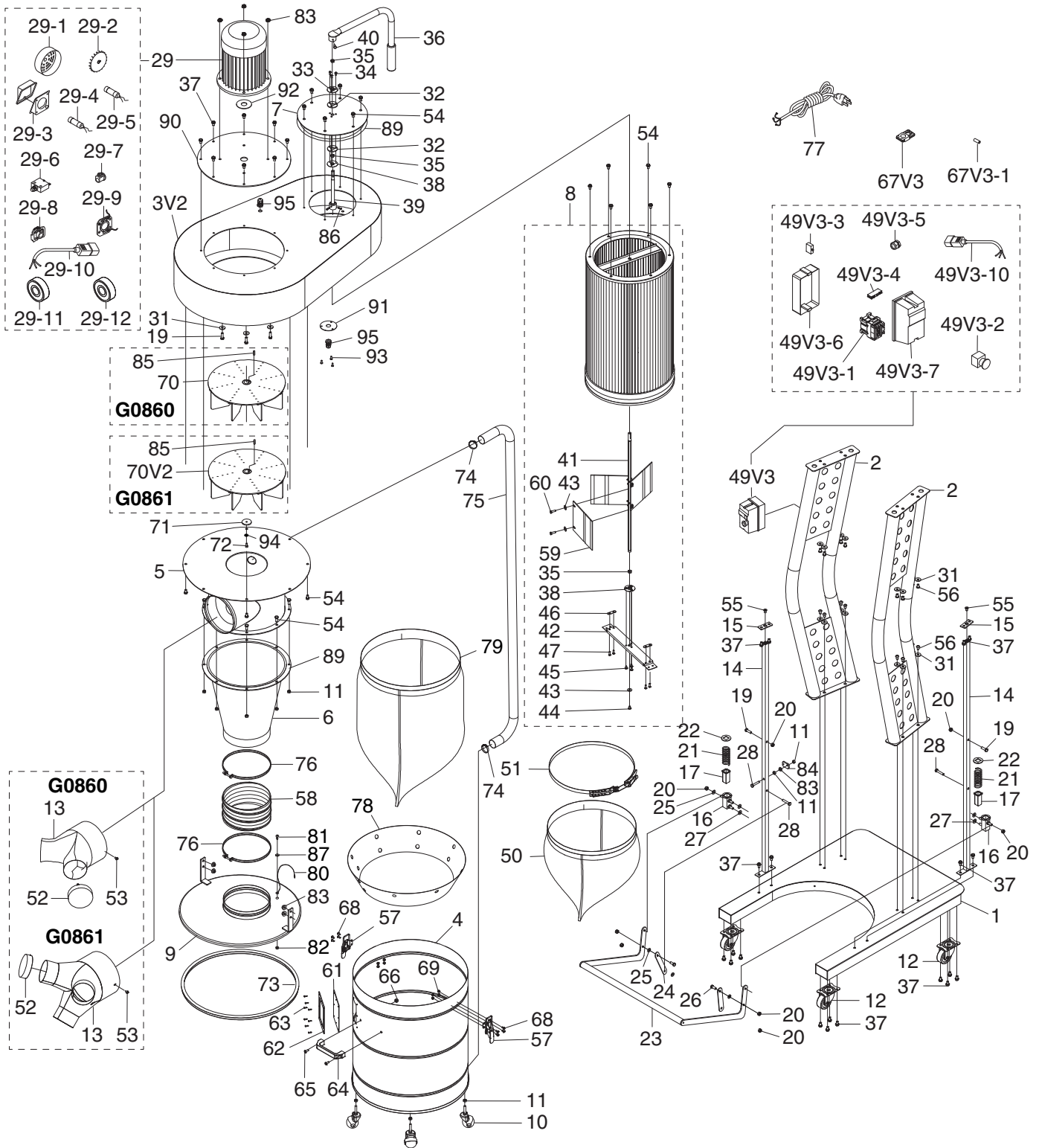


# SECTION 10: PARTS

## G0860/G0861 Parts



# G0860 Parts List

REF	PART #	DESCRIPTION
1	P0860001	BASE
2	P0860002	SUPPORT LEG
3V2	P0860003V2	IMPELLER HOUSING V2.04.20
4	P0860004	COLLECTION DRUM, 20 GALLON
5	P0860005	INTAKE BARREL
6	P0860006	CYCLONE FUNNEL
7	P0860007	FILTER COVER PLATE
8	P0860008	CANISTER FILTER ASSY 14-1/2" X 24"
9	P0860009	COLLECTION DRUM LID
10	P0860010	CASTER 2", SWIVEL
11	P0860011	HEX NUT 5/16-18
12	P0860012	CASTER 2-1/2", LOCKING SWIVEL
13	P0860013	INLET ADAPTER 6" X 4" X 2
14	P0860014	LOCK HANDLE GUIDE
15	P0860015	MOUNTING PLATE
16	P0860016	SPRING BRACKET
17	P0860017	COPPER PLATE
19	P0860019	HEX BOLT 5/16-18 X 1
20	P0860020	LOCK NUT 5/16-18
21	P0860021	COMPRESSION SPRING 3 X 33 X 70
22	P0860022	SPRING RETAINER
23	P0860023	DRUM LOCK HANDLE
24	P0860024	LOCK HANDLE LINK
25	P0860025	FLAT WASHER 3/8 PLASTIC
26	P0860026	BUTTON HD CAP SCR 5/16-18 X 3/4
27	P0860027	FLAT WASHER 5/16
28	P0860028	HEX BOLT 5/16-18 X 1-3/4
29	P0860029	MOTOR 1.5HP 110V 1-PH
29-1	P0860029-1	MOTOR FAN COVER
29-2	P0860029-2	MOTOR FAN
29-3	P0860029-3	MOTOR JUNCTION BOX
29-4	P0860029-4	R CAPACITOR 50M 250V 1-1/2 X 2-3/8
29-5	P0860029-5	S CAPACITOR 300M 125V 1-3/8 X 2-5/8
29-6	P0860029-6	CIRCUIT BREAKER ZING EAR ZE-700 25A
29-7	P0860029-7	STRAIN RELIEF TYPE-2 15MM
29-8	P0860029-8	CENTRIFUGAL SWITCH
29-9	P0860029-9	CONTACT PLATE
29-10	P0860029-10	MOTOR CORD W/PLUG 14G 3W 30"
29-11	P0860029-11	BALL BEARING 6203-2RS
29-12	P0860029-12	BALL BEARING 6205-2RS
31	P0860031	FENDER WASHER 5/16
32	P0860032	RUBBER GASKET 43MM
33	P0860033	BEARING RETAINER, UPPER
34	P0860034	PHLP HD SCR M5-.8 X 8
35	P0860035	SLEEVE BEARING 12 X 14 X 6MM
36	P0860036	FILTER PADDLE HANDLE
37	P0860037	FLANGE BOLT 5/16-18 X 1/2
38	P0860038	BEARING RETAINER, LOWER
39	P0860039	PADDLE HANDLE SPINDLE
40	P0860040	HEX BOLT M6-1 X 16
41	P0860041	FILTER PADDLE SPINDLE
42	P0860042	PADDLE SPINDLE BRACKET
43	P0860043	FLAT WASHER 1/4
44	P0860044	PHLP HD SCR M6-1 X 10
45	P0860045	PHLP HD SCR M5-.8 X 8
46	P0860046	PADDLE SPINDLE BRACKET RETAINER

REF	PART #	DESCRIPTION
47	P0860047	PHLP HD SCR M5-.8 X 15
49V3	P0860049V3	MAG SWITCH SDE MP-09 110V V3.02.21
49V3-1	P0860049V3-1	CONTACTOR SDE MA-09 110V
49V3-2	P0860049V3-2	E-STOP SWITCH KEDU HY57B
49V3-3	P0860049V3-3	CONTACT BLOCK SDE CP
49V3-4	P0860049V3-4	REMOTE CONTROL RECEIVER
49V3-5	P0860049V3-5	STRAIN RELIEF TYPE-3 M20-1.5
49V3-6	P0860049V3-6	MAG SWITCH BASE
49V3-7	P0860049V3-7	MAG SWITCH COVER
49-10	P0860049-10	MAG SWITCH CORD W/PLUG 14G 3W
50	P0860050	FILTER BAG 20" X 23"
51	P0860051	BAG CLAMP 15"
52	P0860052	INLET ADAPTER CAP 4"
53	P0860053	PHLP HD SCR 10-24 X 3/8
54	P0860054	FLANGE BOLT 5/16-18 X 3/4
55	P0860055	FLAT HD SCR 5/16-18 X 1-1/4
56	P0860056	BUTTON HD CAP SCR 5/16-18 X 1/2
57	P0860057	COLLECTION DRUM LID LATCH
58	P0860058	FLEX HOSE 7" X 5"
59	P0860059	FILTER PADDLE
60	P0860060	HEX BOLT M6-1 X 12
61	P0860061	FOAM GASKET 120 X 140MM
62	P0860062	DRUM WINDOW 120 X 140MM ACRYLIC
63	P0860063	RIVET 2 X 4MM ALUMINUM
64	P0860064	COLLECTION DRUM HANDLE
65	P0860065	PHLP HD SCR 1/4-20 X 5/8
66	P0860066	ACORN NUT 1/4-20
67V3	P0860067V3	REMOTE CONTROL V3.02.21
67V3-1	P0860067V3-1	REMOTE BATTERY TYPE A27 12V
68	P0860068	PHLP HD SCR M4-.7 X 8
69	P0860069	LOCK NUT M4-.7
70	P0860070	IMPELLER 12-3/4"
71	P0860071	IMPELLER WASHER 6 X 38 X 4MM
72	P0860072	CAP SCREW M6-1 X 30
73	P0860073	COLLECTION DRUM GASKET
74	P0860074	HOSE CLAMP 1-3/4"
75	P0860075	VACUUM HOSE 1-1/2" X 60"
76	P0860076	HOSE CLAMP 7-1/2"
77	P0860077	POWER CORD 14G 3W 72" 5-15P
78	P0860078	VACUUM RING
79	P0860079	COLLECTION DRUM BAG 30" X 41"
80	P0860080	GROUND WIRE 18G 17-1/2"
81	P0860081	PHLP HD SCR 10-24 X 3/8
82	P0860082	HEX NUT 10-24
83	P0860083	FLANGE NUT 5/16-18
84	P0860084	LOCK HANDLE STOP
85	P0860085	KEY 7 X 7 X 29
86	P0860086	CAP SCREW M6-1 X 16
87	P0860087	EXT TOOTH WASHER #10
89	P0860089	FOAM GASKET SEAL
90	P0860090	MOTOR PLATE
91	P0860091	FIXED PLATE
92	P0860092	RUBBER GASKET
93	P0860093	PHLP HD SCR 10-24 X 1/2
94	P0860094	LOCK WASHER 6MM
95	P0860095	STRAIN RELIEF TYPE-3 M16-2



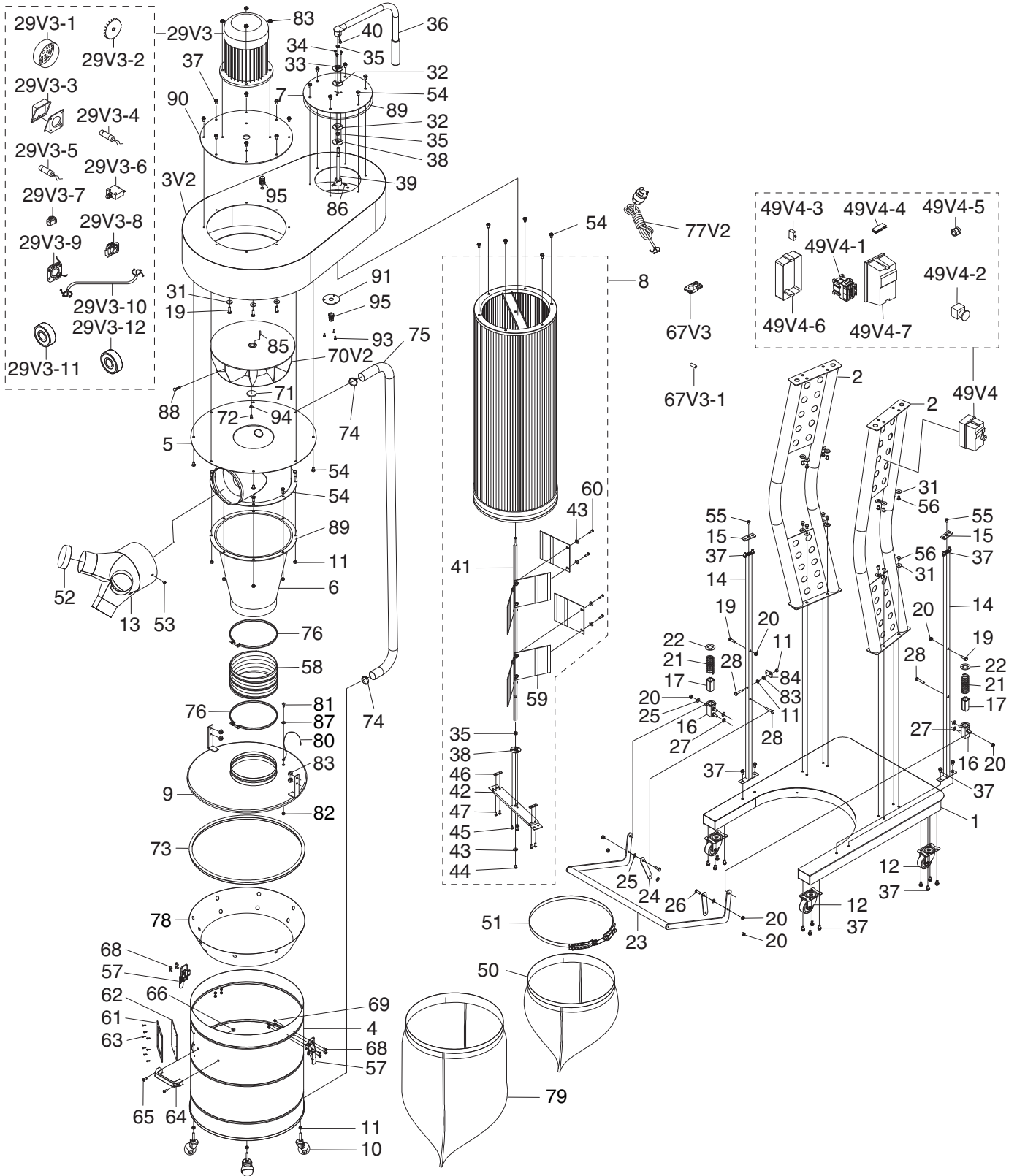
# G0861 Parts List

REF	PART #	DESCRIPTION
1	P0861001	BASE
2	P0861002	SUPPORT LEG
3V2	P0861003V2	IMPELLER HOUSING V2.04.20
4	P0861004	COLLECTION DRUM, 20 GALLON
5	P0861005	INTAKE BARREL
6	P0861006	CYCLONE FUNNEL
7	P0861007	FILTER COVER PLATE
8	P0861008	CANISTER FILTER ASSY 14-1/2" X 24"
9	P0861009	COLLECTION DRUM LID
10	P0861010	CASTER 2", SWIVEL
11	P0861011	HEX NUT 5/16-18
12	P0861012	CASTER 2-1/2", LOCKING SWIVEL
13	P0861013	INLET ADAPTER 7" X 4" X 3
14	P0861014	LOCK HANDLE GUIDE
15	P0861015	MOUNTING PLATE
16	P0861016	SPRING BRACKET
17	P0861017	COPPER PLATE
19	P0861019	HEX BOLT 5/16-18 X 1
20	P0861020	LOCK NUT 5/16-18
21	P0861021	COMPRESSION SPRING 3 X 33 X 70
22	P0861022	SPRING RETAINER
23	P0861023	DRUM LOCK HANDLE
24	P0861024	LOCK HANDLE LINK
25	P0861025	FLAT WASHER 3/8 PLASTIC
26	P0861026	BUTTON HD CAP SCR 5/16-18 X 3/4
27	P0861027	FLAT WASHER 5/16
28	P0861028	HEX BOLT 5/16-18 X 1-3/4
29	P0861029	MOTOR 2HP 220V 1-PH
29-1	P0861029-1	MOTOR FAN COVER
29-2	P0861029-2	MOTOR FAN
29-3	P0861029-3	MOTOR JUNCTION BOX
29-4	P0861029-4	R CAPACITOR 30M 250V 1-1/2 X 2-3/8
29-5	P0861029-5	S CAPACITOR 300M 125V 1-3/8 X 2-5/8
29-6	P0861029-6	CIRCUIT BREAKER ZING EAR ZE-700 15A
29-7	P0861029-7	STRAIN RELIEF TYPE-2 15MM
29-8	P0861029-8	CENTRIFUGAL SWITCH
29-9	P0861029-9	CONTACT PLATE
29-10	P0861029-10	MOTOR CORD W/PLUG 14G 3W 30"
29-11	P0861029-11	BALL BEARING 6203-2RS
29-12	P0861029-12	BALL BEARING 6205-2RS
31	P0861031	FENDER WASHER 5/16
32	P0861032	RUBBER GASKET 43MM
33	P0861033	BEARING RETAINER, UPPER
34	P0861034	PHLP HD SCR M5-.8 X 8
35	P0861035	SLEEVE BEARING 12 X 14 X 6MM
36	P0861036	FILTER PADDLE HANDLE
37	P0861037	FLANGE BOLT 5/16-18 X 1/2
38	P0861038	BEARING RETAINER, LOWER
39	P0861039	PADDLE HANDLE SPINDLE
40	P0861040	HEX BOLT M6-1 X 16
41	P0861041	FILTER PADDLE SPINDLE
42	P0861042	PADDLE SPINDLE BRACKET
43	P0861043	FLAT WASHER 1/4
44	P0861044	PHLP HD SCR M6-1 X 10
45	P0861045	PHLP HD SCR M5-.8 X 8
46	P0861046	PADDLE SPINDLE BRACKET RETAINER

REF	PART #	DESCRIPTION
47	P0861047	PHLP HD SCR M5-.8 X 15
49V3	P0861049V3	MAG SWITCH SDE MP-09 220V V3.02.21
49V3-1	P0861049V3-1	CONTACTOR SDE MA-09 220V
49V3-2	P0861049V3-2	E-STOP SWITCH KEDU HY57B
49V3-3	P0861049V3-3	CONTACT BLOCK SDE CP
49V3-4	P0861049V3-4	REMOTE CONTROL RECEIVER
49V3-5	P0861049V3-5	STRAIN RELIEF TYPE-3 M20-1.5
49V3-6	P0861049V3-6	MAG SWITCH BASE
49V3-7	P0861049V3-7	MAG SWITCH COVER
49V3-10	P0861049V3-10	MAG SWITCH CORD W/PLUG 14G 3W
50	P0861050	FILTER BAG 20" X 23"
51	P0861051	BAG CLAMP 15"
52	P0861052	INLET ADAPTER CAP 4"
53	P0861053	PHLP HD SCR 10-24 X 3/8
54	P0861054	FLANGE BOLT 5/16-18 X 3/4
55	P0861055	FLAT HD SCR 5/16-18 X 1-1/4
56	P0861056	BUTTON HD CAP SCR 5/16-18 X 1/2
57	P0861057	COLLECTION DRUM LID LATCH
58	P0861058	FLEX HOSE 8" X 7"
59	P0861059	FILTER PADDLE
60	P0861060	HEX BOLT M6-1 X 12
61	P0861061	FOAM GASKET 120 X 140MM
62	P0861062	DRUM WINDOW 120 X 140MM ACRYLIC
63	P0861063	RIVET 2 X 4MM ALUMINUM
64	P0861064	COLLECTION DRUM HANDLE
65	P0861065	PHLP HD SCR 1/4-20 X 5/8
66	P0861066	ACORN NUT 1/4-20
67V3	P0861067V3	REMOTE CONTROL V3.02.21
67V3-1	P0861067V3-1	REMOTE BATTERY TYPE A27 12V
68	P0861068	PHLP HD SCR M4-.7 X 8
69	P0861069	LOCK NUT M4-.7
70V2	P0861070V2	IMPELLER 12-3/4" V2.03.19
71	P0861071	IMPELLER WASHER 6 X 38 X 4MM
72	P0861072	CAP SCREW M6-1 X 30 LH
73	P0861073	COLLECTION DRUM GASKET
74	P0861074	HOSE CLAMP 1-3/4"
75	P0861075	VACUUM HOSE 1-1/2" X 60"
76	P0861076	HOSE CLAMP 8-1/2"
77	P0861077	POWER CORD 14G 3W 72" 6-15P
78	P0861078	VACUUM RING
79	P0861079	COLLECTION DRUM BAG 30" X 41"
80	P0861080	GROUND WIRE 18G 17-1/2"
81	P0861081	PHLP HD SCR 10-24 X 3/8
82	P0861082	HEX NUT 10-24
83	P0861083	FLANGE NUT 5/16-18
84	P0861084	LOCK HANDLE STOP
85	P0861085	KEY 7 X 7 X 29
86	P0861086	CAP SCREW M6-1 X 16
87	P0861087	EXT TOOTH WASHER #10
89	P0861089	FOAM GASKET SEAL
90	P0861090	MOTOR PLATE
91	P0861091	FIXED PLATE
92	P0861092	RUBBER GASKET
93	P0861093	PHLP HD SCR 10-24 X 1/2
94	P0861094	LOCK WASHER 6MM
95	P0861095	STRAIN RELIEF TYPE-3 M16-2



# G0862 Parts



# G0862 Parts List

REF	PART #	DESCRIPTION	REF	PART #	DESCRIPTION
1	P0862001	BASE	47	P0862047	PHLP HD SCR M5-.8 X 15
2	P0862002	SUPPORT LEG	49V4	P0862049V4	MAG SWITCH SDE MP-09 220V V4.05.21
3V2	P0862003V2	IMPELLER HOUSING V2.04.20	49V4-1	P0862049V4-1	CONTACTOR SDE MA-09 220V
4	P0862004	COLLECTION DRUM, 38 GALLON	49V4-2	P0862049V4-2	E-STOP SWITCH KEDU HY57B
5	P0862005	INTAKE BARREL	49V4-3	P0862049V4-3	CONTACT BLOCK SDE CP
6	P0862006	CYCLONE FUNNEL	49V4-4	P0862049V4-4	REMOTE CONTROL RECEIVER
7	P0862007	FILTER COVER PLATE	49V4-5	P0862049V4-5	STRAIN RELIEF TYPE-3 M20-1.5
8	P0862008	CANISTER FILTER ASSY 14-1/2" X 39-3/8"	49V4-6	P0862049V4-6	MAG SWITCH BASE
9	P0862009	COLLECTION DRUM LID	49V4-7	P0862049V4-7	MAG SWITCH COVER
10	P0862010	CASTER 2", SWIVEL	50	P0862050	FILTER BAG 20" X 23"
11	P0862011	HEX NUT 5/16-18	51	P0862051	BAG CLAMP 15"
12	P0862012	CASTER 2-1/2", LOCKING SWIVEL	52	P0862052	INLET ADAPTER CAP 4"
13	P0862013	INLET ADAPTER 8" X 4" X 3	53	P0862053	PHLP HD SCR 10-24 X 3/8
14	P0862014	LOCK HANDLE GUIDE	54	P0862054	FLANGE BOLT 5/16-18 X 3/4
15	P0862015	MOUNTING PLATE	55	P0862055	FLAT HD SCR 5/16-18 X 1-1/4
16	P0862016	SPRING BRACKET	56	P0862056	BUTTON HD CAP SCR 5/16-18 X 1/2
17	P0862017	COPPER PLATE	57	P0862057	COLLECTION DRUM LID LATCH
19	P0862019	HEX BOLT 5/16-18 X 1	58	P0862058	FLEX HOSE 12" X 9-1/2"
20	P0862020	LOCK NUT 5/16-18	59	P0862059	FILTER PADDLE
21	P0862021	COMPRESSION SPRING 3 X 33 X 70	60	P0862060	HEX BOLT M6-1 X 16
22	P0862022	SPRING RETAINER	61	P0862061	FOAM GASKET 120 X 140MM
23	P0862023	DRUM LOCK HANDLE	62	P0862062	DRUM WINDOW 120 X 140MM ACRYLIC
24	P0862024	LOCK HANDLE LINK	63	P0862063	RIVET 2 X 4MM ALUMINUM
25	P0862025	FLAT WASHER 3/8 PLASTIC	64	P0862064	COLLECTION DRUM HANDLE
26	P0862026	BUTTON HD CAP SCR 5/16-18 X 3/4	65	P0862065	PHLP HD SCR 1/4-20 X 5/8
27	P0862027	FLAT WASHER 5/16	66	P0862066	ACORN NUT 1/4-20
28	P0862028	HEX BOLT 5/16-18 X 1-3/4	67V3	P0862067V3	REMOTE CONTROL V3.02.21
29V3	P0862029V3	MOTOR 3HP 220V 1-PH V3.09.20	67V3-1	P0862067V3-1	REMOTE BATTERY TYPE A27 12V
29V3-1	P0862029V3-1	MOTOR FAN COVER	68	P0862068	PHLP HD SCR M4-.7 X 8
29V3-2	P0862029V3-2	MOTOR FAN	69	P0862069	LOCK NUT M4-.7
29V3-3	P0862029V3-3	MOTOR JUNCTION BOX	70V2	P0862070V2	IMPELLER 16" ALUMINUM V2.07.20
29V3-4	P0862029V3-4	R CAPACITOR 45M 250V 1-1/2 X 2-3/8	71	P0862071	IMPELLER WASHER 6 X 38 X 4MM
29V3-5	P0862029V3-5	S CAPACITOR 200M 250V 1-3/8 X 2-3/4	72	P0862072	CAP SCREW M6-1 X 30
29V3-6	P0862029V3-6	CIRCUIT BREAKER ZING EAR ZE-700 25A	73	P0862073	COLLECTION DRUM GASKET
29V3-7	P0862029V3-7	STRAIN RELIEF TYPE-2 15MM	74	P0862074	HOSE CLAMP 1-3/4"
29V3-8	P0862029V3-8	CENTRIFUGAL SWITCH	75	P0862075	VACUUM HOSE 1-1/2" X 60"
29V3-9	P0862029V3-9	CONTACT PLATE	76	P0862076	HOSE CLAMP 12-1/2"
29V3-10	P0862029V3-10	MOTOR CORD 12G 3W 60"	77V2	P0862077V2	POWER CORD 12G 3W 120" L6-30P V2.02.21
29V3-11	P0862029V3-11	BALL BEARING 6205-2RS	78	P0862078	VACUUM RING
29V3-12	P0862029V3-12	BALL BEARING 6206-2RS	79	P0862079	COLLECTION DRUM BAG 39" X 56"
31	P0862031	FENDER WASHER 5/16	80	P0862080	GROUND WIRE 18G 17-1/2"
32	P0862032	RUBBER GASKET 43MM	81	P0862081	PHLP HD SCR 10-24 X 3/8
33	P0862033	BEARING RETAINER, UPPER	82	P0862082	HEX NUT 10-24
34	P0862034	PHLP HD SCR M5-.8 X 8	83	P0862083	FLANGE NUT 5/16-18
35	P0862035	SLEEVE BEARING 12 X 14 X 6MM	84	P0862084	LOCK HANDLE STOP
36	P0862036	FILTER PADDLE HANDLE	85	P0862085	KEY 7 X 7 X 30
37	P0862037	FLANGE BOLT 5/16-18 X 1/2	86	P0862086	CAP SCREW M6-1 X 16
38	P0862038	BEARING RETAINER, LOWER	87	P0862087	EXT TOOTH WASHER #10
39	P0862039	PADDLE HANDLE SPINDLE	88	P0862088	HEX BOLT 3/8-16 X 1/2
40	P0862040	HEX BOLT M6-1 X 16	89	P0862089	FOAM GASKET SEAL
41	P0862041	FILTER PADDLE SPINDLE	90	P0862090	MOTOR PLATE
42	P0862042	PADDLE SPINDLE BRACKET	91	P0862091	FIXED PLATE
43	P0862043	FLAT WASHER 1/4	93	P0862093	PHLP HD SCR 10-24 X 1/2
44	P0862044	PHLP HD SCR M6-1 X 10	94	P0862094	LOCK WASHER 6MM
45	P0862045	PHLP HD SCR M5-.8 X 8	95	P0862095	STRAIN RELIEF TYPE-3 M25-3
46	P0862046	PADDLE SPINDLE BRACKET RETAINER			



# G0860/G0861 Labels & Cosmetics

	<b>MODEL G0860</b> <b>1.5 HP CYCLONE</b> <b>DUST COLLECTOR</b>
	<b>⚠️ WARNING!</b> To reduce the risk of serious injury when using this machine: 1. Read and understand owner's manual before operating. 2. Always wear approved eye protection and respirator. 3. Properly ground machine—connect to permanently grounded metal wiring system or equipment-grounding conductor. 4. Only use this machine to collect wood dust/chips; never use to collect glass, metal, liquids, asbestos, silica, animal parts, biohazards, burning materials/ashes, etc. 5. Always disconnect power before servicing or cleaning. 6. Do not expose to rain or wet areas. 7. Keep hands, long hair, and loose clothing away from inlet. 8. Never leave machine unattended during operation. 9. Do not use if power supply wires, conduit, or any other electrical equipment becomes damaged—promptly repair. 10. Do not use without dust bag or filter in place. 11. Always wear a respirator when emptying bags. 12. Do not modify machine in any way. 13. Prevent unauthorized use by children or untrained users.
<b>Specifications</b> Motor: 1.5 HP, 110V, Single-Phase, 60 Hz Full-Load Current Rating: 15A Suction Capacity: 880 CFM @ 1.8" SP Max. Static Pressure: 9.7" Inlet Size: 6" Collection Drum Size: 20 Gallons Filter Performance: 99.9% at 0.2 – 1 Micron Cartridge Filter: 14" x 24" Replacement Filter: T30314 Replacement Filter Bag: T27200 Replacement Drum Bag: T27274 Weight: 260 lbs.	Date _____ Serial # _____ Mfd. by Grizzly in Taiwan



**⚠️ WARNING**  
 Safety labels help reduce the risk of serious injury caused by machine hazards. If any label comes off or becomes unreadable, the owner of this machine **MUST** replace it in the original location before resuming operations. For replacements, contact (800) 523-4777 or [www.grizzly.com](http://www.grizzly.com).

104

105

106  
[grizzly.com](http://grizzly.com)

REF	PART #	DESCRIPTION
101	P0860101	MACHINE ID LABEL (G0860)
101	P0861101	MACHINE ID LABEL (G0861)
102	P0860102	ELECTRICITY WARNING LABEL
103	P0860103	MODEL NO. LABEL (G0860)
103	P0861103	MODEL NO. LABEL (G0861)
104	P0860104	READ MANUAL LABEL

REF	PART #	DESCRIPTION
105	P0860105	EYE/EAR/LUNG WARNING LABEL
106	P0860106	GRIZZLY.COM LABEL
107	P0860107	TOUCH-UP PAINT, GRIZZLY BEIGE
108	P0860108	TOUCH-UP PAINT, GRIZZLY GREEN
109	P0860109	GRIZZLY NAMEPLATE-SMALL

**Please Note:** We do our best to stock replacement parts whenever possible, but we cannot guarantee that all parts shown here are available for purchase. Call (800) 523-4777 or visit our online parts store at [www.grizzly.com](http://www.grizzly.com) to check for availability.



**BUY PARTS ONLINE AT GRIZZLY.COM!**  
 Scan QR code to visit our Parts Store.



