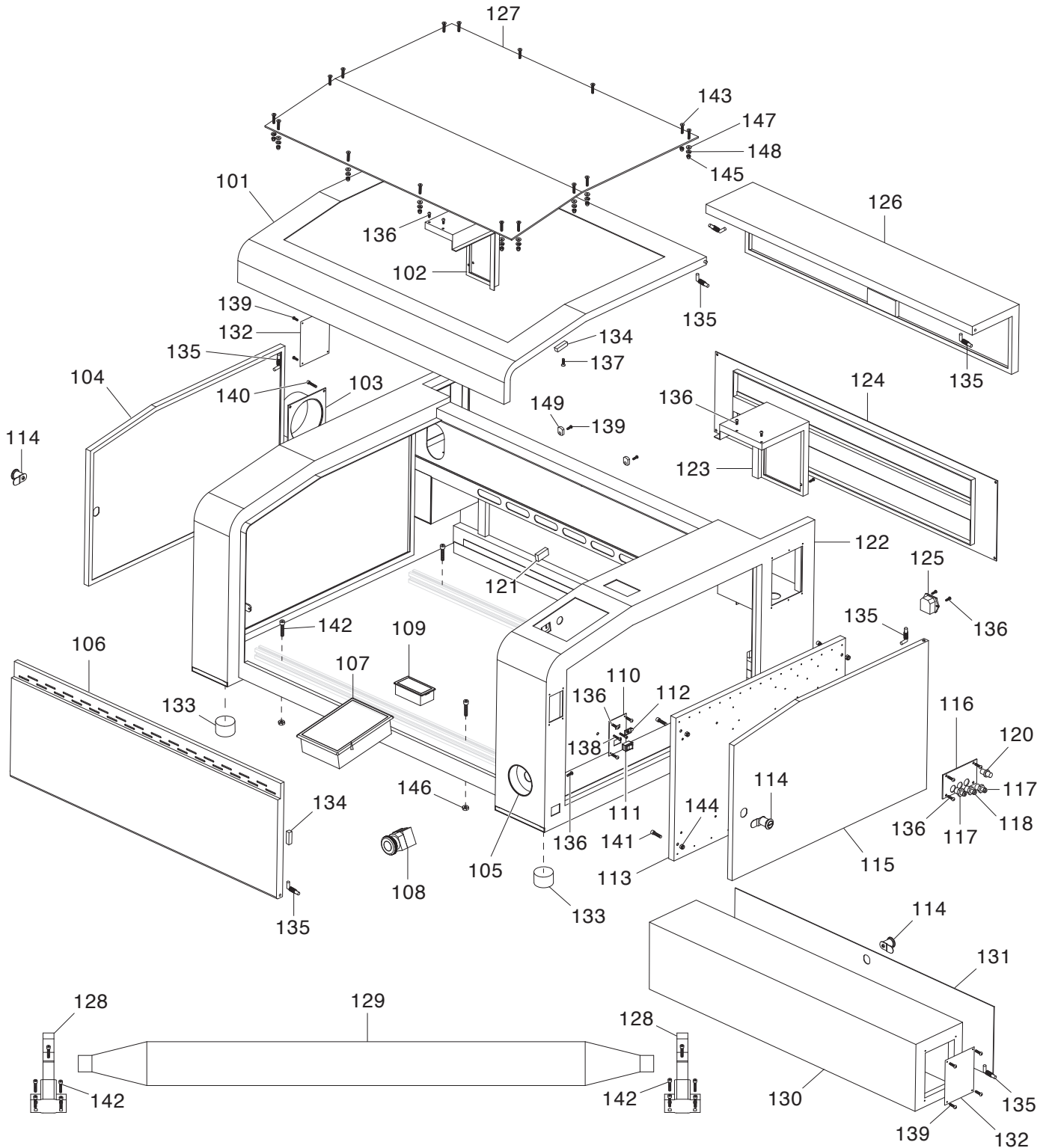


# SECTION 9: PARTS

We do our best to stock replacement parts when possible, but we cannot guarantee that all parts shown are available for purchase. Call (800) 523-4777 or visit [www.grizzly.com/parts](http://www.grizzly.com/parts) to check for availability.

## Main



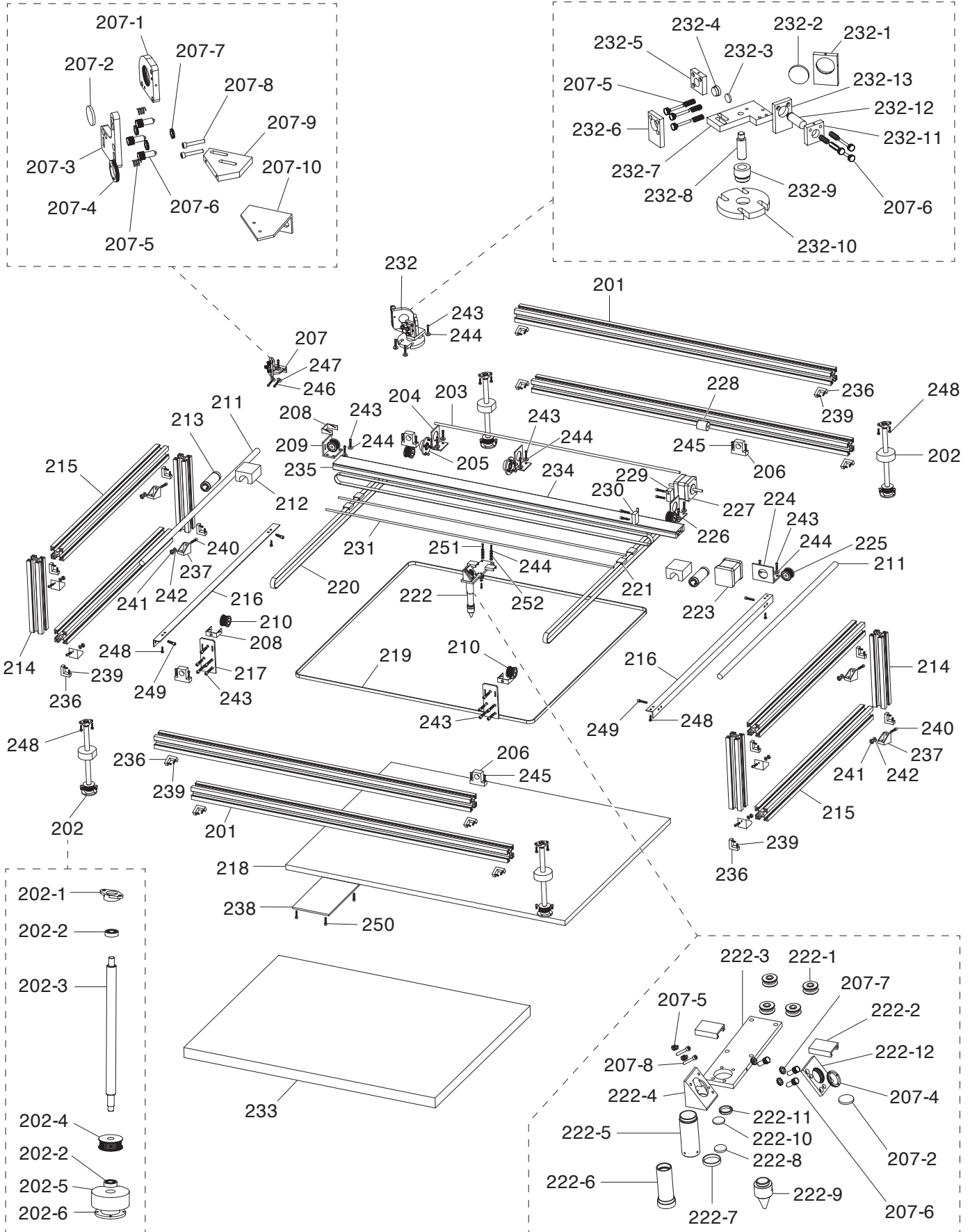
# Main Parts List

REF PART #	DESCRIPTION	
101	P0872101	LOADING DOOR (TOP)
102	P0872102	LASER TUBE COVER (LEFT)
103	P0872103	EXHAUST PORT
104	P0872104	LOADING DOOR (SIDE)
105	P0872105	E-STOP MOUNTING BRACKET
106	P0872106	LOADING DOOR (BOTTOM)
107	P0872107	DIGITAL READOUT ST908
108	P0872108	E-STOP BUTTON YIJIA YJ139-LA38 22MM
109	P0872109	AMP METER ANALOG UXCELL 85C17 5A
110	P0872110	SWITCH MOUNTING PLATE
111	P0872111	ROCKER SWITCH DAIER KCD1-101
112	P0872112	USB 2.0 PORT
113	P0872113	MOUNTING BOARD
114	P0872114	KEYED CAM LOCK
115	P0872115	ELECTRICAL COMPARTMENT DOOR
116	P0872116	AUX SYSTEMS MOUNTING PLATE
117	P0872117	WATER FITTING 3/8 NPT STRAIGHT BR
118	P0872118	AIR FITTING 5/16 NPT STRAIGHT BR
120	P0872120	DIRECT GROUND POST
121	P0872121	PROXIMITY SENSOR PIC MS-324/325
122	P0872122	CABINET FRAME
123	P0872123	LASER TUBE COVER (RIGHT)
124	P0872124	ACCESS PANEL
125	P0872125	POWER CORD RECEPTACLE

REF PART #	DESCRIPTION	
126	P0872126	LASER TUBE ACCESS DOOR
127	P0872127	ACRYLIC WINDOW
128	P0872128	LASER TUBE SADDLE
129	P0872129	LASER TUBE 60W
130	P0872130	LASER TUBE EXTENSION CABINET
131	P0872131	EXTENSION CABINET DOOR
132	P0872132	END COVER
133	P0872133	RUBBER FOOT
134	P0872134	DOOR MAGNET
135	P0872135	DOOR HINGE
136	P0872136	BUTTON HD CAP SCR M4-.7 X 8
137	P0872137	FLAT HD CAP SCR M6-1 X 10
138	P0872138	CAP SCREW M3-.5 X 8
139	P0872139	BUTTON HD CAP SCR M3-.5 X 6
140	P0872140	CAP SCREW M4-.7 X 6
141	P0872141	CAP SCREW M5-.8 X 8
142	P0872142	CAP SCREW M5-.8 X 10
143	P0872143	CAP SCREW M6-1 X 10
144	P0872144	LOCK NUT M5-.8
145	P0872145	ACORN NUT M6-1
146	P0872146	HEX NUT M5-.8
147	P0872147	FLAT WASHER 6MM
148	P0872148	LOCK WASHER 6MM
149	P0872149	WIRE CLAMP



# Gantry & Optics



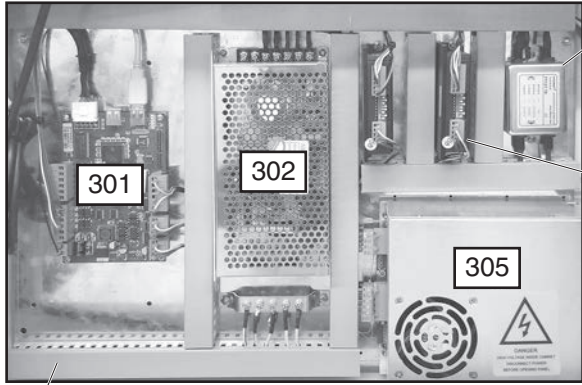
# Gantry & Optics Parts List

REF	PART #	DESCRIPTION
201	P0872201	CROSSBAR
202	P0872202	LEADSCREW ASSEMBLY
202-1	P0872202-1	LEADSCREW MOUNT (UPPER)
202-2	P0872202-2	BALL BEARING 6202-2RS
202-3	P0872202-3	LEADSCREW
202-4	P0872202-4	LEADSCREW PULLEY
202-5	P0872202-5	LEADSCREW LIFT BLOCK
202-6	P0872202-6	LEADSCREW MOUNT (LOWER)
203	P0872203	X-AXIS DRIVE SHAFT
204	P0872204	DRIVE SHAFT SUPPORT
205	P0872205	DRIVE SHAFT MOUNT
206	P0872206	STOP PAD
207	P0872207	MIRROR ASSEMBLY (FRONT)
207-1	P0872207-1	MIRROR HOUSING
207-2	P0872207-2	MIRROR
207-3	P0872207-3	VERTICAL ADJUSTMENT PLATE
207-4	P0872207-4	MIRROR COMPRESSION RING
207-5	P0872207-5	COMPRESSION SPRING 1 X 7.5 X 12
207-6	P0872207-6	KNURLED THUMB SCREW M3-.5 X 14, D8
207-7	P0872207-7	HEX THUMB NUT M3-.5
207-8	P0872207-8	CAP SCREW M4-.7 X 15
207-9	P0872207-9	ADJUSTMENT PLATE (UPPER)
207-10	P0872207-10	ADJUSTMENT PLATE (LOWER)
208	P0872208	WHEEL BRACKET
209	P0872209	X-AXIS PULLEY SUPPORT
210	P0872210	Y-AXIS PULLEY
211	P0872211	Y-AXIS DRIVE SHAFT
212	P0872212	BEARING MOUNT
213	P0872213	LINEAR BEARING LMF20LUU
214	P0872214	SHELF SUPPORT COLUMN
215	P0872215	SHELF SUPPORT RAIL
216	P0872216	SHELF SUPPORT BRACKET
217	P0872217	Y-AXIS PULLEY SUPPORT
218	P0872218	TABLE BASE
219	P0872219	Z-AXIS TIMING BELT 848MXL
220	P0872220	X/Y-AXIS TIMING BELT 37MXL
221	P0872221	Y-AXIS BELT LOCKING TAB
222	P0872222	LASER HEAD ASSEMBLY
222-1	P0872222-1	ROLLER
222-2	P0872222-2	X-AXIS BELT LOCKING TAB
222-3	P0872222-3	LASER HEAD MOUNTING PLATE
222-4	P0872222-4	45 DEG MIRROR HOUSING
222-5	P0872222-5	FIXED FOCUS BARREL
222-6	P0872222-6	TELESCOPING FOCUS BARREL
222-7	P0872222-7	BARREL RING
222-8	P0872222-8	FOCUS LENS (ENGRAVING)
222-9	P0872222-9	AIR NOZZLE

REF	PART #	DESCRIPTION
222-10	P0872222-10	FOCUS LENS (CUTTING)
222-11	P0872222-11	COMPRESSION RING
222-12	P0872222-12	45 DEG ADJUSTMENT PLATE
223	P0872223	X-AXIS STEP MOTOR NEMA 17
224	P0872224	X-AXIS MOTOR MOUNT
225	P0872225	X-AXIS PULLEY
226	P0872226	Y-AXIS MOTOR MOUNT
227	P0872227	Y-AXIS STEP MOTOR NEMA 17
228	P0872228	COUPLING AP16/23-04/05D
229	P0872229	LIMIT SWITCH UXCELL RV-163-1C25
230	P0872230	LIMIT SWITCH HIGHLY VS10N021C2
231	P0872231	X-AXIS TRACK
232	P0872232	MIRROR ASSEMBLY (REAR)
232-1	P0872232-1	MIRROR HOUSING
232-2	P0872232-2	MIRROR
232-3	P0872232-3	ANTI-REFLECTIVE LENS
232-4	P0872232-4	LENS COMPRESSION RING
232-5	P0872232-5	LENS MOUNTING PLATE
232-6	P0872232-6	LENS ADJUSTMENT PLATE
232-7	P0872232-7	MIRROR SUPPORT PLATE
232-8	P0872232-8	ADJUSTMENT ROD
232-9	P0872232-9	LOCKING DIAL
232-10	P0872232-10	MIRROR ASSEMBLY BASE PLATE
232-11	P0872232-11	LASER ADJUSTMENT PLATE
232-12	P0872232-12	REFERENCE LASER 30 X 40MM
232-13	P0872232-13	LASER MOUNTING PLATE
233	P0872233	HONEYCOMB TABLE 17" X 23"
234	P0872234	LASER HEAD SUPPORT RAIL
235	P0872235	LED WORKLIGHT
236	P0872236	L-BRACKET
237	P0872237	ANGLE BRACKET
238	P0872238	TABLE BRACE
239	P0872239	SET SCREW M4-.7 X 8
240	P0872240	CAP SCREW M6-1 X 10
241	P0872241	HEX NUT M6-1
242	P0872242	FLAT WASHER 6MM
243	P0872243	CAP SCREW M4-.7 X 8
244	P0872244	FLAT WASHER 4MM
245	P0872245	CAP SCREW M5-.8 X 6
246	P0872246	CAP SCREW M5-.8 X 10
247	P0872247	FLAT WASHER 5MM
248	P0872248	BUTTON HD CAP SCR M4-.7 X 6
249	P0872249	CAP SCREW M4-.7 X 6
250	P0872250	BUTTON HD CAP SCR M4-.7 X 8
251	P0872251	CAP SCREW M4-.7 X 12
252	P0872252	HEX NUT M4-.7



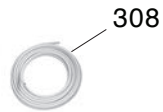
# Electrical & Accessories



306



307



308



309

310



311



312



313



314



315



300



316



317

318



319



320



321

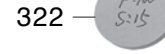
323



324

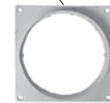


325



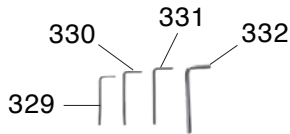
322

327



328

326



330

331

332

329



334



338



333



# Electrical & Accessories Parts List

REF	PART #	DESCRIPTION
300	P0872300	POWER CORD 18G 3W 72" 5-15P
301	P0872301	CONTROLLER RUIDA ST908(EC)
302	P0872302	TRANSFORMER TL-POWER TL-150D-B
303	P0872303	STEPPER DRIVER JMCMOTION 2DM420
304	P0872304	POWER SUPPLY FILTER FT127-10
305	P0872305	HIGH VOLTAGE POWER SUPPLY WK60S
306	P0872306	WIRE LOOM
307	P0872307	WATER CHILLER
308	P0872308	WATER TUBING 3/8 ID 52"L
309	P0872309	SIGNAL CORD 20G 2W 78"L
310	P0872310	POWER CORD 18G 3W 72" 5-15P
311	P0872311	EXHAUST FAN
312	P0872312	EXHAUST DUCTING 4" ID 60"L
313	P0872313	AIR PUMP
314	P0872314	AIR TUBING 5/16 ID 56"L
315	P0872315	AIR FITTING 5/16 NPT STRAIGHT BR
316	P0872316	TOOLBOX
317	P0872317	Z-AXIS CRANK HANDLE

REF	PART #	DESCRIPTION
318	P0872318	OPTICS DISASSEMBLY TOOL
319	P0872319	LASER BEAM ALIGNMENT GAUGE
320	P0872320	MIRROR ALIGNMENT GAUGE
321	P0872321	FOCUS GAUGE
322	P0872322	LASER CUTTING DEPTH GAUGE
323	P0872323	USB FLASH DRIVE 8GB
324	P0872324	SOFTWARE INSTALLATION DISC
325	P0872325	USER MANUAL DISC
326	P0872326	ABSORBENT COTTON BAG
327	P0872327	EXHAUST PORT 3-3/4"
328	P0872328	HOSE CLAMP 4"
329	P0872329	HEX WRENCH 2MM
330	P0872330	HEX WRENCH 2.5MM
331	P0872331	HEX WRENCH 3MM
332	P0872332	HEX WRENCH 5MM
333	P0872333	SCREWDRIVER FLAT HEAD 1/4"
334	P0872334	LOCKING DOOR KEYS (2-PC SET)
338	P0872338	LIGHT EMITTING DIODE



