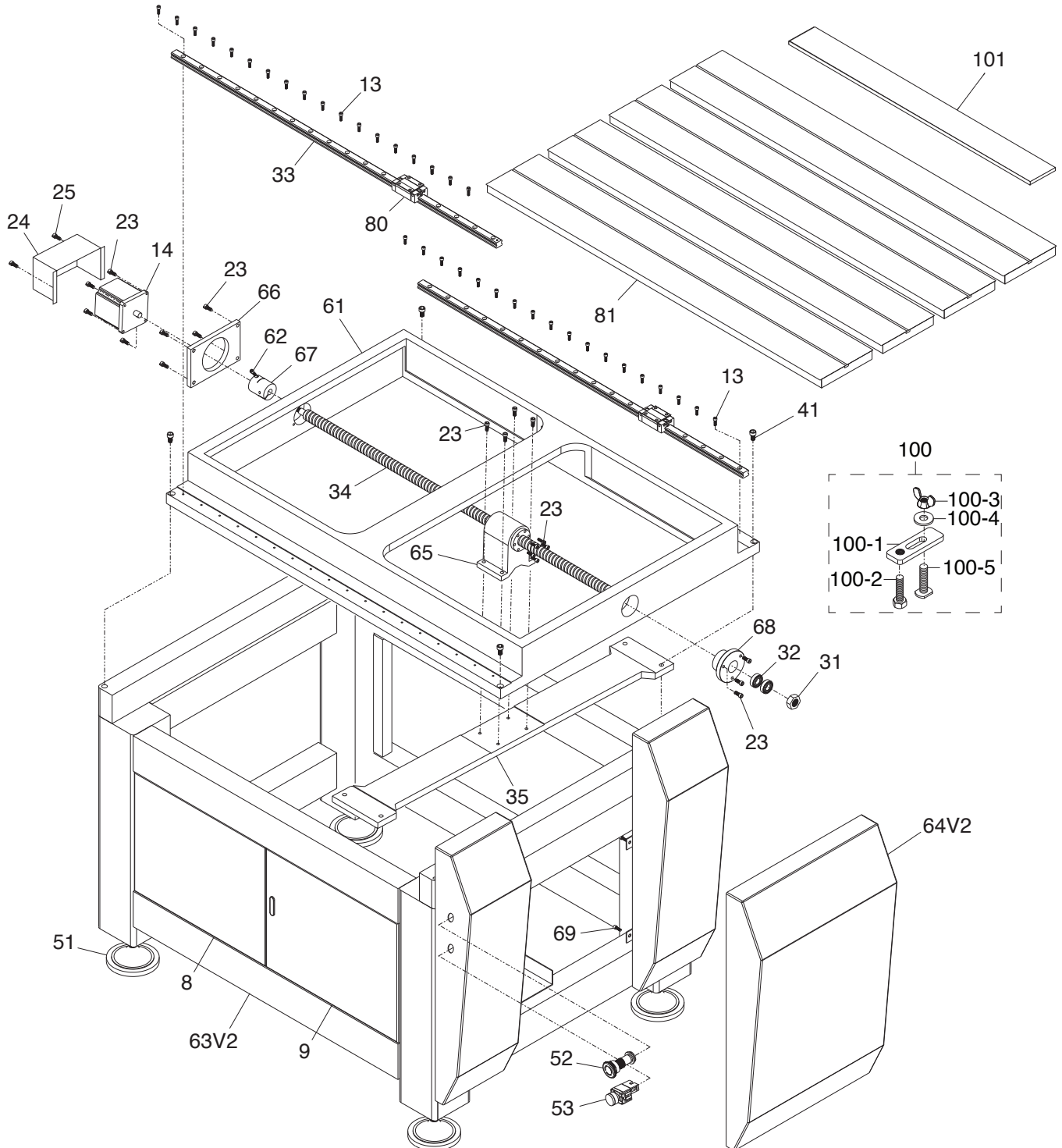


# SECTION 9: PARTS

We do our best to stock replacement parts when possible, but we cannot guarantee that all parts shown are available for purchase. Call (800) 523-4777 or visit [www.grizzly.com/parts](http://www.grizzly.com/parts) to check for availability.

## Base & Y-Axis



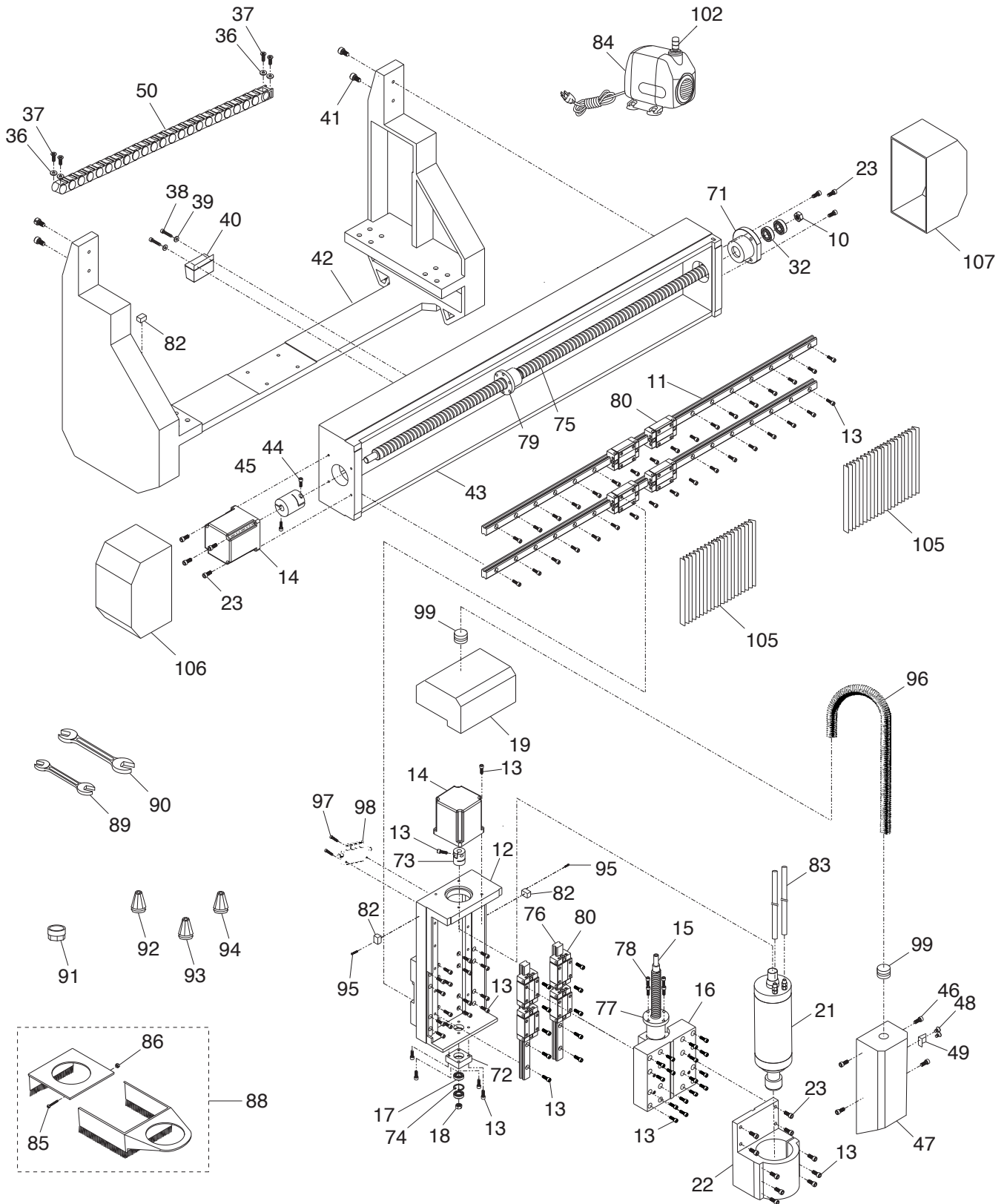
# Base & Y-Axis Parts List

| REF | PART #   | DESCRIPTION                        |
|-----|----------|------------------------------------|
| 8   | P0894008 | CABINET DOOR (LEFT)                |
| 9   | P0894009 | CABINET DOOR (RIGHT)               |
| 13  | P0894013 | CAP SCREW M5-.8 X 20               |
| 14  | P0894014 | STEPPER MOTOR NEMA 34              |
| 23  | P0894023 | CAP SCREW M6-1 X 20                |
| 24  | P0894024 | STEPPER COVER Y-AXIS               |
| 25  | P0894025 | CAP SCREW M5-.8 X 12               |
| 31  | P0894031 | HEX NUT M12-1.75                   |
| 32  | P0894032 | BALL BEARING 6201ZZ                |
| 33  | P0894033 | Y-AXIS LINEAR GUIDE RAIL           |
| 34  | P0894034 | Y-AXIS BALL SCREW                  |
| 35  | P0894035 | BEARING BLOCK SUPPORT BRACKET      |
| 41  | P0894041 | CAP SCREW 5/16-24 X 1-1/4          |
| 51  | P0894051 | LEVELING FOOT                      |
| 52  | P0894052 | E-STOP BUTTON YJ 139-LA38 30MM     |
| 53  | P0894053 | BUTTON SWITCH YJ 139-LA38 30MM GRN |
| 61  | P0894061 | BED FRAME                          |

| REF   | PART #     | DESCRIPTION            |
|-------|------------|------------------------|
| 62    | P0894062   | CAP SCREW M5-.8 X 12   |
| 63V2  | P0894063V2 | BODY V2.01.20          |
| 64V2  | P0894064V2 | COVER (FRONT) V2.01.20 |
| 65    | P0894065   | BEARING BLOCK          |
| 66    | P0894066   | SPACER PLATE           |
| 67    | P0894067   | Y-AXIS SHAFT COUPLER   |
| 68    | P0894068   | Y-AXIS SHAFT COLLAR    |
| 69    | P0894069   | CAP SCREW M5-.8 X 10   |
| 80    | P0894080   | SLIDE BRACKET          |
| 81    | P0894081   | BED SECTION            |
| 100   | P0894100   | T-SLOT CLAMP           |
| 100-1 | P0894100-1 | T-SLOT CLAMP PLATE     |
| 100-2 | P0894100-2 | HEX BOLT M8-1.25 X 50  |
| 100-3 | P0894100-3 | WING NUT M8-1.25       |
| 100-4 | P0894100-4 | FLAT WASHER 8MM        |
| 100-5 | P0894100-5 | T-BOLT M8-1.25 X 80    |
| 101   | P0894101   | PVC FOAM COVER         |



# Gantry & Spindle



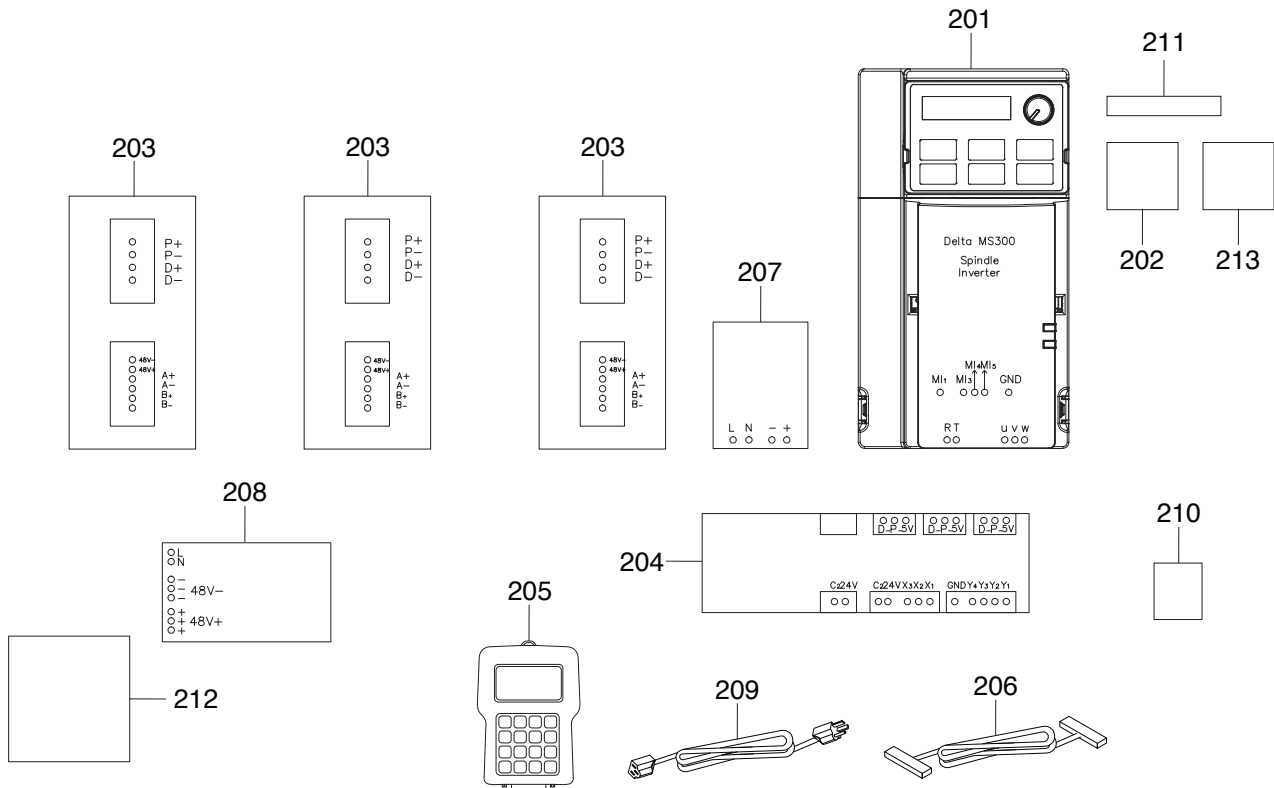
# Gantry & Spindle Parts List

| REF | PART #   | DESCRIPTION                  |
|-----|----------|------------------------------|
| 10  | P0894010 | HEX NUT M12-1.75             |
| 11  | P0894011 | X-AXIS LINEAR GUIDE RAIL     |
| 12  | P0894012 | SPINDLE MOTOR CARRIAGE       |
| 13  | P0894013 | CAP SCREW M5-.8 X 20         |
| 14  | P0894014 | STEPPER MOTOR NEMA 34        |
| 15  | P0894015 | Z-AXIS BALL SCREW            |
| 16  | P0894016 | SPINDLE MOTOR MOUNTING BLOCK |
| 17  | P0894017 | BALL BEARING 6901ZZ          |
| 18  | P0894018 | HEX NUT M10-1.5              |
| 19  | P0894019 | MOTOR COVER                  |
| 21  | P0894021 | SPINDLE MOTOR 3HP 220V 3-PH  |
| 22  | P0894022 | SPINDLE MOTOR MOUNT          |
| 23  | P0894023 | CAP SCREW M6-1 X 20          |
| 32  | P0894032 | BALL BEARING 6201ZZ          |
| 36  | P0894036 | FLAT WASHER 5MM              |
| 37  | P0894037 | FLAT HD SCR M5-.8 X 10       |
| 38  | P0894038 | CAP SCREW M6-1 X 16          |
| 39  | P0894039 | FLAT WASHER 6MM              |
| 40  | P0894040 | LUBRICATION PUMP             |
| 41  | P0894041 | CAP SCREW 5/16-24 X 1-1/4    |
| 42  | P0894042 | GANTRY SUPPORT FRAME         |
| 43  | P0894043 | GANTRY                       |
| 44  | P0894044 | CAP SCREW M5-.8 X 30         |
| 45  | P0894045 | X-AXIS SHAFT COUPLER         |
| 46  | P0894046 | CAP SCREW M5-.8 X 12         |
| 47  | P0894047 | SPINDLE COVER                |
| 48  | P0894048 | FLAT HD SCR M5-.8 X 6        |
| 49  | P0894049 | SENSOR PLATE                 |
| 50  | P0894050 | CABLE CARRIER                |
| 71  | P0894071 | X-AXIS SHAFT COLLAR          |

| REF | PART #   | DESCRIPTION                     |
|-----|----------|---------------------------------|
| 72  | P0894072 | SPINDLE SHAFT COLLAR            |
| 73  | P0894073 | Z-AXIS SHAFT COUPLER            |
| 74  | P0894074 | EXT RETAINING RING 22MM         |
| 75  | P0894075 | X-AXIS BALL SCREW               |
| 76  | P0894076 | Z-AXIS LINEAR GUIDE RAIL        |
| 77  | P0894077 | Z-AXIS SHAFT COLLAR             |
| 78  | P0894078 | CAP SCREW M5-.8 X 20            |
| 79  | P0894079 | SHAFT COLLAR                    |
| 80  | P0894080 | SLIDE BRACKET                   |
| 82  | P0894082 | PROXIMITY SWITCH OMRON TL-Q5MC1 |
| 83  | P0894083 | COOLANT TUBE 8MM ID X 6MM OD    |
| 84  | P0894084 | COOLANT PUMP 110V               |
| 85  | P0894085 | PHLP HD SCR M5-.8 X 40          |
| 86  | P0894086 | HEX NUT M5-.8                   |
| 88  | P0894088 | DUST SHOE W/BRACKET             |
| 89  | P0894089 | WRENCH 18 X 21MM OPEN-ENDS      |
| 90  | P0894090 | WRENCH 27 X 30MM OPEN-ENDS      |
| 91  | P0894091 | SPINDLE NUT                     |
| 92  | P0894092 | COLLET ER20 1/8                 |
| 93  | P0894093 | COLLET ER20 1/4                 |
| 94  | P0894094 | COLLET ER20 1/2                 |
| 95  | P0894095 | CAP SCREW M4-.7 X 20            |
| 96  | P0894096 | CONDUIT PLASTIC                 |
| 97  | P0894097 | CAP SCREW M5-.8 X 20            |
| 98  | P0894098 | OIL LINE JUNCTION               |
| 99  | P0894099 | STRAIN RELIEF PG31              |
| 102 | P0894102 | WATER PUMP ADAPTER              |
| 105 | P0894105 | DUST COVER                      |
| 106 | P0894106 | GANTRY COVER (LEFT)             |
| 107 | P0894107 | GANTRY COVER (RIGHT)            |



# Electrical Cabinet Components

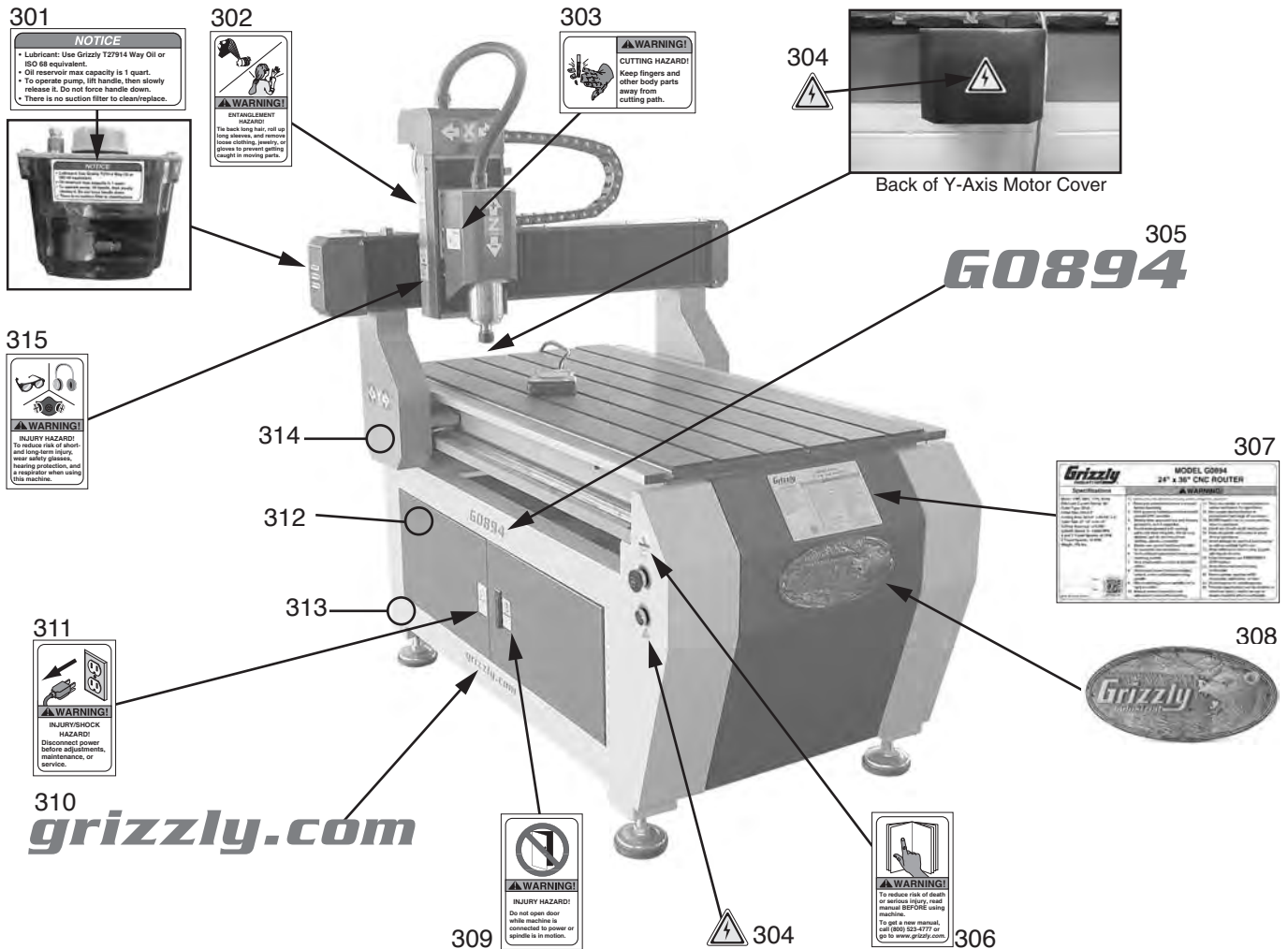


| REF PART # | DESCRIPTION                                    |
|------------|------------------------------------------------|
| 201        | P0894201 VFD DELTA MS300 VFD022E21A            |
| 202        | P0894202 CIRCUIT BREAKER 16A IC65N             |
| 203        | P0894203 STEP DRIVER LEADSHINE DM542-05        |
| 204        | P0894204 DSP CONTROLLER RA A11X-10 SYSTEM CARD |
| 205        | P0894205 DSP CONTROLLER RICHAUTO A11X-10       |
| 206        | P0894206 50 PIN CABLE 72"                      |
| 207        | P0894207 POWER SUPPLY MW LRS-100-24 240V       |

| REF PART # | DESCRIPTION                             |
|------------|-----------------------------------------|
| 208        | P0894208 POWER SUPPLY GY600W-48-A 260V  |
| 209        | P0894209 POWER CORD 14G 3W 72" 6-20P    |
| 210        | P0894210 AC POWER ENTRY MODULE 15A 250V |
| 211        | P0894211 TERMINAL BAR 6P M4.7 X 12 TM3  |
| 212        | P0894212 FAN SXUQN DP200A JQH2123HSL    |
| 213        | P0894213 CONTACTOR LC1D18M7C            |



# Labels & Cosmetics



| REF | PART #   | DESCRIPTION                  |
|-----|----------|------------------------------|
| 301 | P0894301 | NOTICE LABEL                 |
| 302 | P0894302 | ENTANGLEMENT LABEL           |
| 303 | P0894303 | WARNING CUTTING HAZARD LABEL |
| 304 | P0894304 | ELECTRICITY LABEL            |
| 305 | P0894305 | MODEL NUMBER LABEL           |
| 306 | P0894306 | READ MANUAL LABEL            |
| 307 | P0894307 | MACHINE ID LABEL             |
| 308 | P0894308 | GRIZZLY NAMEPLATE-LARGE      |

| REF | PART #   | DESCRIPTION                  |
|-----|----------|------------------------------|
| 309 | P0894309 | WARNING INJURY HAZARD LABEL  |
| 310 | P0894310 | GRIZZLY.COM LABEL            |
| 311 | P0894311 | DISCONNECT 110V LABEL        |
| 312 | P0894312 | GRIZZLY GREEN TOUCH-UP PAINT |
| 313 | P0894313 | BEIGE TOUCH-UP PAINT         |
| 314 | P0894314 | LIGHT GREY TOUCH-UP PAINT    |
| 315 | P0894315 | EYE/EAR/LUNG LABEL           |

**⚠ WARNING**

Safety labels help reduce the risk of serious injury caused by machine hazards. If any label comes off or becomes unreadable, the owner of this machine **MUST** replace it in the original location before resuming operations. For replacements, contact (800) 523-4777 or [www.grizzly.com](http://www.grizzly.com).

