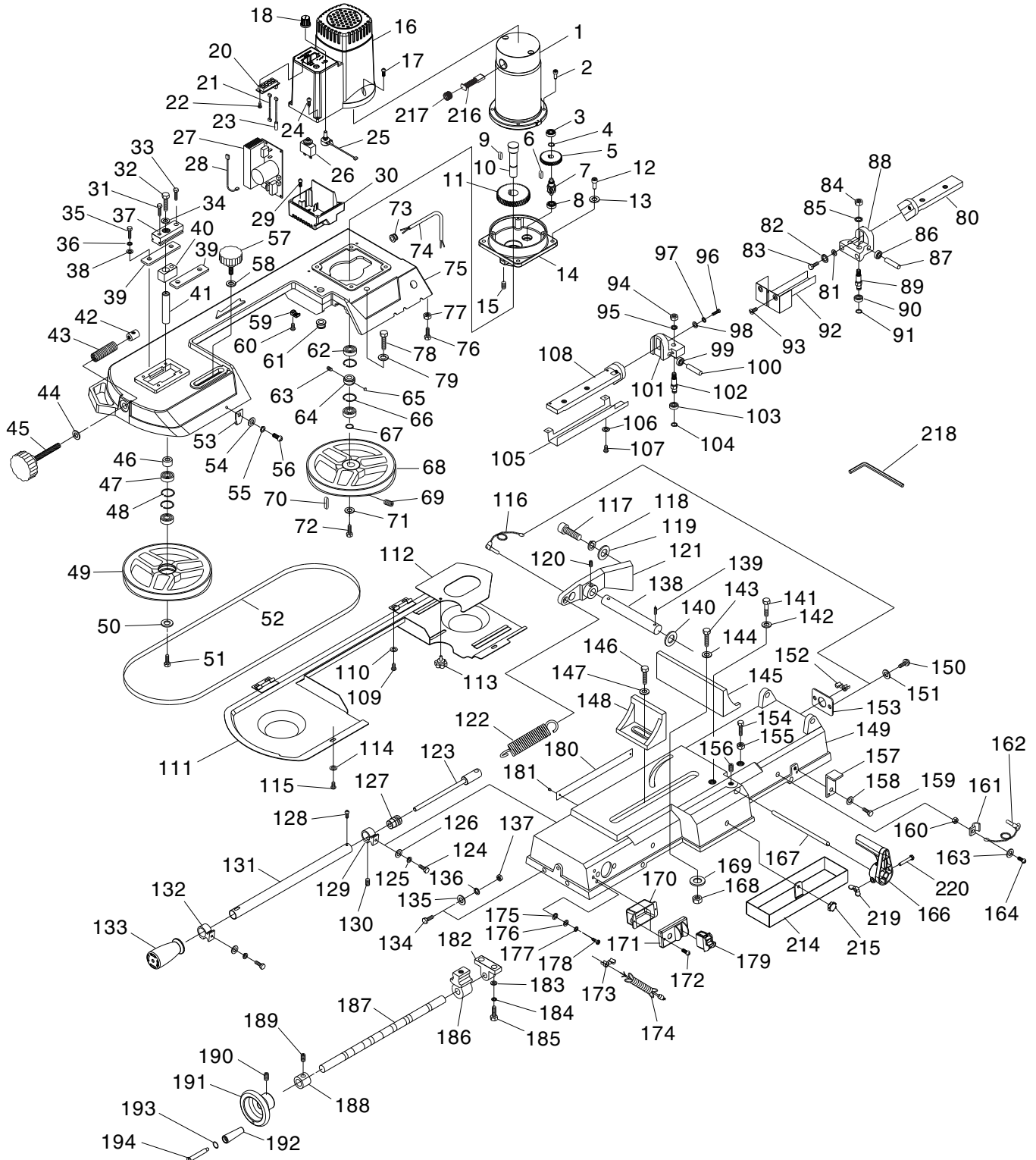


SECTION 9: PARTS

We do our best to stock replacement parts when possible, but we cannot guarantee that all parts shown are available for purchase. Call (800) 523-4777 or visit www.grizzly.com/parts to check for availability.

Main



Main Parts List

REF	PART #	DESCRIPTION
1	P0926001	MOTOR 3/4HP 120V 1-PH
2	P0926002	CAP SCREW M5-.8 X 16
3	P0926003	BALL BEARING 607ZZ
4	P0926004	EXT RETAINING RING 11MM
5	P0926005	GEAR 43T
6	P0926006	KEY 4 X 4 X 6 RE
7	P0926007	GEAR 10T
8	P0926008	BALL BEARING 607ZZ
9	P0926009	KEY 5 X 5 X 10 RE
10	P0926010	WHEEL SHAFT (FRONT)
11	P0926011	GEAR 50T
12	P0926012	CAP SCREW M6-1 X 20
13	P0926013	FLAT WASHER 6MM
14	P0926014	GEARBOX
15	P0926015	SET SCREW M6-1 X 6
16	P0926016	MOTOR COVER
17	P0926017	PHLP HD SCR M4-.7 X 10
18	P0926018	BLADE SPEED DIAL
20	P0926020	DIGITAL SPEED DISPLAY 2017120401B
21	P0926021	DISPLAY WIRE
22	P0926022	TAP SCREW M3 X 10
23	P0926023	SPEED SENSOR 45L
24	P0926024	TAP SCREW M3.5 X 20
25	P0926025	POTENTIOMETER BK10
26	P0926026	CIRCUIT BREAKER ZHONGZUI 68-SERIES 4A
27	P0926027	CIRCUIT BOARD PWM500C
28	P0926028	CIRCUIT BREAKER WIRE
29	P0926029	PHLP HD SCR M5-.8 X 8
30	P0926030	CIRCUIT BOARD HOUSING
31	P0926031	HEX BOLT M8-1.25 X 30
32	P0926032	HEX BOLT M8-1.25 X 16
33	P0926033	HEX BOLT M8-1.25 X 30
34	P0926034	FLAT WASHER 8MM
35	P0926035	HEX BOLT M6-1 X 12
36	P0926036	LOCK WASHER 6MM
37	P0926037	TRACKING BRACKET
38	P0926038	FLAT WASHER 6MM
39	P0926039	TRACKING BRACKET MOUNT
40	P0926040	TRACKING ADJUSTMENT BLOCK
41	P0926041	WHEEL SHAFT (REAR)
42	P0926042	BLADE TENSION NUT
43	P0926043	COMPRESSION SPRING 2 X 14 X 76
44	P0926044	FLAT WASHER 10MM
45	P0926045	KNOB BOLT M10-1.5 X 90, 12-LOBE, D60
46	P0926046	BUSHING 16 X 19 X 6.5
47	P0926047	BALL BEARING 6202ZZ
48	P0926048	EXT RETAINING RING 35MM
49	P0926049	BLADE WHEEL (REAR)
50	P0926050	FLAT WASHER 5MM
51	P0926051	HEX BOLT M5-.8 X 16
52	P0926052	BLADE 64-1/2" X 1/2" X 1/4" 14 TPI
53	P0926053	AUTO-OFF TAB
54	P0926054	FLAT WASHER 6MM
55	P0926055	LOCK WASHER 6MM

REF	PART #	DESCRIPTION
56	P0926056	PHLP HD SCR M6-1 X 16
57	P0926057	KNOB BOLT M10-1.5 X 30, 12-LOBE, D60
58	P0926058	FLAT WASHER 10MM
59	P0926059	CORD CLAMP
60	P0926060	BUTTON HD CAP SCR M5-.8 X 12
61	P0926061	GROMMET 5/16"
62	P0926062	BALL BEARING 6202ZZ
63	P0926063	SET SCREW M6-1 X 6
64	P0926064	MAGNET SEAT
65	P0926065	MAGNET 6 X 3MM
66	P0926066	EXT RETAINING RING 35MM
67	P0926067	INT RETAINING RING 15MM
68	P0926068	BLADE WHEEL (FRONT)
69	P0926069	SET SCREW M8-1.25 X 8
70	P0926070	KEY 5 X 5 X 25 RE
71	P0926071	FLAT WASHER 5MM
72	P0926072	HEX BOLT M5-.8 X 16
73	P0926073	GROMMET 5/16"
74	P0926074	MOTOR DRIVER CORD 18G 3W 45"
75	P0926075	FRAME
76	P0926076	HEX BOLT M6-1 X 25
77	P0926077	HEX NUT M6-1
78	P0926078	HEX BOLT M8-1.25 X 30
79	P0926079	FLAT WASHER 8MM
80	P0926080	BLADE GUIDE BASE (FRONT)
81	P0926081	FLAT WASHER 8MM
82	P0926082	LOCK WASHER 8MM
83	P0926083	HEX BOLT M8-1.25 X 30
84	P0926084	HEX NUT M8-1.25
85	P0926085	LOCK WASHER 8MM
86	P0926086	BALL BEARING 629ZZ
87	P0926087	BLADE GUIDE PIN (FRONT)
88	P0926088	BLADE GUIDE (FRONT)
89	P0926089	BLADE GUIDE SHAFT (FRONT)
90	P0926090	BALL BEARING 629ZZ
91	P0926091	EXT RETAINING RING 9MM
92	P0926092	BLADE GUARD (FRONT)
93	P0926093	FLAT HD SCR M6-1 X 16
94	P0926094	HEX NUT M8-1.25
95	P0926095	LOCK WASHER 8MM
96	P0926096	HEX BOLT M8-1.25 X 30
97	P0926097	LOCK WASHER 8MM
98	P0926098	FLAT WASHER 8MM
99	P0926099	BALL BEARING 629ZZ
100	P0926100	BLADE GUIDE PIN (REAR)
101	P0926101	BLADE GUIDE (REAR)
102	P0926102	BLADE GUIDE SHAFT (REAR)
103	P0926103	BALL BEARING 629ZZ
104	P0926104	EXT RETAINING RING 9MM
105	P0926105	BLADE GUARD (REAR)
106	P0926106	FLAT WASHER 4MM
107	P0926107	PHLP HD SCR M4-.7 X 6
108	P0926108	BLADE GUARD BASE (REAR)
109	P0926109	PHLP HD SCR M4-.7 X 8



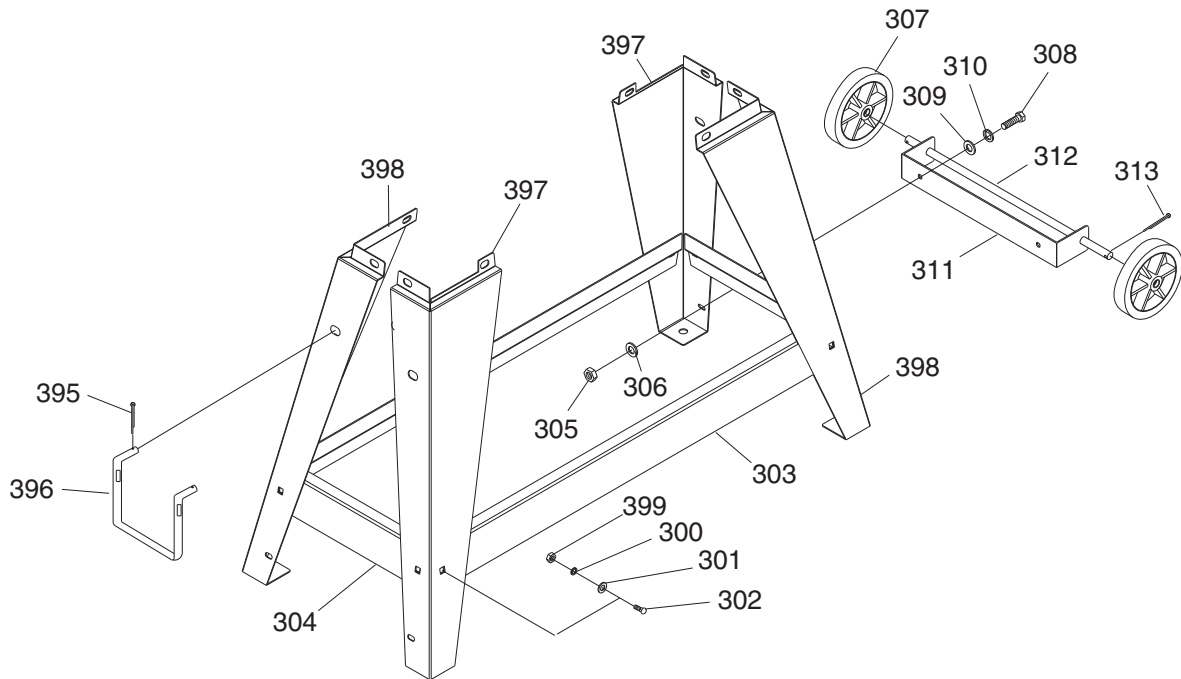
Main Parts List (Cont.)

REF	PART #	DESCRIPTION
110	P0926110	FLAT WASHER 4MM
111	P0926111	FRAME GUARD
112	P0926112	EXTENSION GUARD
113	P0926113	KNOB BOLT M6-1 X 8, 6-LOBE, D25
114	P0926114	FLAT WASHER 5MM
115	P0926115	PHLP HD SCR M5-.8 X 8
116	P0926116	LOCKING PIN W/CHAIN
117	P0926117	CAP SCREW M10-1.5 X 35
118	P0926118	LOCK WASHER 10MM
119	P0926119	FLAT WASHER 10MM
120	P0926120	SET SCREW M8-1.25 X 8
121	P0926121	PIVOT BLOCK
122	P0926122	EXTENSION SPRING 4.5 X 22 X 215
123	P0926123	SPRING ADJUSTMENT SCREW
124	P0926124	HEX BOLT M6-1 X 16
125	P0926125	LOCK WASHER 6MM
126	P0926126	FLAT WASHER 6MM
127	P0926127	FEED RATE ADJUSTMENT NUT
128	P0926128	PHLP HD SCR M4-.7 X 6
129	P0926129	ADJUSTMENT ROD BRACKET
130	P0926130	SET SCREW M8-1.25 X 8
131	P0926131	FEED RATE ADJUSTMENT ROD
132	P0926132	ADJUSTMENT ROD BRACKET
133	P0926133	FEED RATE ADJUSTMENT HANDLE
134	P0926134	HEX BOLT M8-1.25 X 20
135	P0926135	FLAT WASHER 8MM
136	P0926136	LOCK WASHER 8MM
137	P0926137	HEX NUT M8-1.25
138	P0926138	PIVOTING ROD
139	P0926139	ROLL PIN 4 X 25
140	P0926140	FLAT WASHER 16MM
141	P0926141	SHOULDER BOLT M8-1.25 X 13, 9 X 12
142	P0926142	FLAT WASHER 8MM
143	P0926143	HEX BOLT M8-1.25 X 40
144	P0926144	FLAT WASHER 8MM
145	P0926145	FIXED VISE JAW
146	P0926146	HEX BOLT M10-1.5 X 25
147	P0926147	FLAT WASHER 10MM
148	P0926148	SLIDING VISE JAW
149	P0926149	BASE
150	P0926150	PHLP HD SCR M5-.8 X 8
151	P0926151	FLAT WASHER 5MM
152	P0926152	STRAIN RELIEF TYPE-1 5/16"
153	P0926153	STRAIN RELIEF MOUNTING PLATE
154	P0926154	HEX BOLT M12-1.75 X 70
155	P0926155	HEX NUT M12-1.75

REF	PART #	DESCRIPTION
156	P0926156	SET SCREW M8-1.25 X 16
157	P0926157	VERTICAL LOCKING BRACKET
158	P0926158	FLAT WASHER 8MM
159	P0926159	HEX BOLT M8-1.25 X 16
160	P0926160	HEX NUT M5-.8
161	P0926161	CORD CLAMP
162	P0926162	LOCKING PIN W/CHAIN
163	P0926163	FLAT WASHER 5MM
164	P0926164	PHLP HD SCR M5-.8 X 18
166	P0926166	WORK STOP
167	P0926167	WORK STOP ROD
168	P0926168	HEX NUT M8-1.25
169	P0926169	FLAT WASHER 8MM
170	P0926170	SWITCH BOX
171	P0926171	SWITCH MOUNTING PLATE
172	P0926172	TAP SCREW M4.2 X 30
173	P0926173	STRAIN RELIEF TYPE-1 5/16"
174	P0926174	POWER CORD 18G 3W 72" 5-15P
175	P0926175	BELLEVILLE LOCK WASHER 5MM
176	P0926176	FLAT WASHER 5MM
177	P0926177	LOCK WASHER 5MM
178	P0926178	PHLP HD SCR M5-.8 X 8
179	P0926179	ON/OFF SWITCH KEDU HY7
180	P0926180	ANGLE SCALE
181	P0926181	RIVET 2 X 6 NAMEPLATE, STEEL
182	P0926182	LEADSCREW MOUNTING BLOCK
183	P0926183	FLAT WASHER 6MM
184	P0926184	LOCK WASHER 6MM
185	P0926185	HEX BOLT M6-1 X 18
186	P0926186	WISE NUT M16-4 TR LH
187	P0926187	LEADSCREW M16-4 TR LH
188	P0926188	LEADSCREW LOCK COLLAR
189	P0926189	SET SCREW M6-1 X 6
190	P0926190	SET SCREW M8-1.25 X 8
191	P0926191	HANDWHEEL TYPE-28 80D X 15B X M6-1
192	P0926192	HOLLOW HANDLE 40 X 75, 8
193	P0926193	O-RING 8.5 X 1.5 S9
194	P0926194	SHOULDER SCREW M6-1 X 8, 8 X 47
214	P0926214	CHIP TRAY
215	P0926215	KNOB BOLT M8-1.5 X 16, 6-LOBE, D25
216	P0926216	CARBON BRUSH (2-PC SET)
217	P0926217	CARBON BRUSH COVER
218	P0926218	HEX WRENCH 4MM
219	P0926219	WING NUT M5-.8
220	P0926220	HEX BOLT M5-.8 X 30



Stand

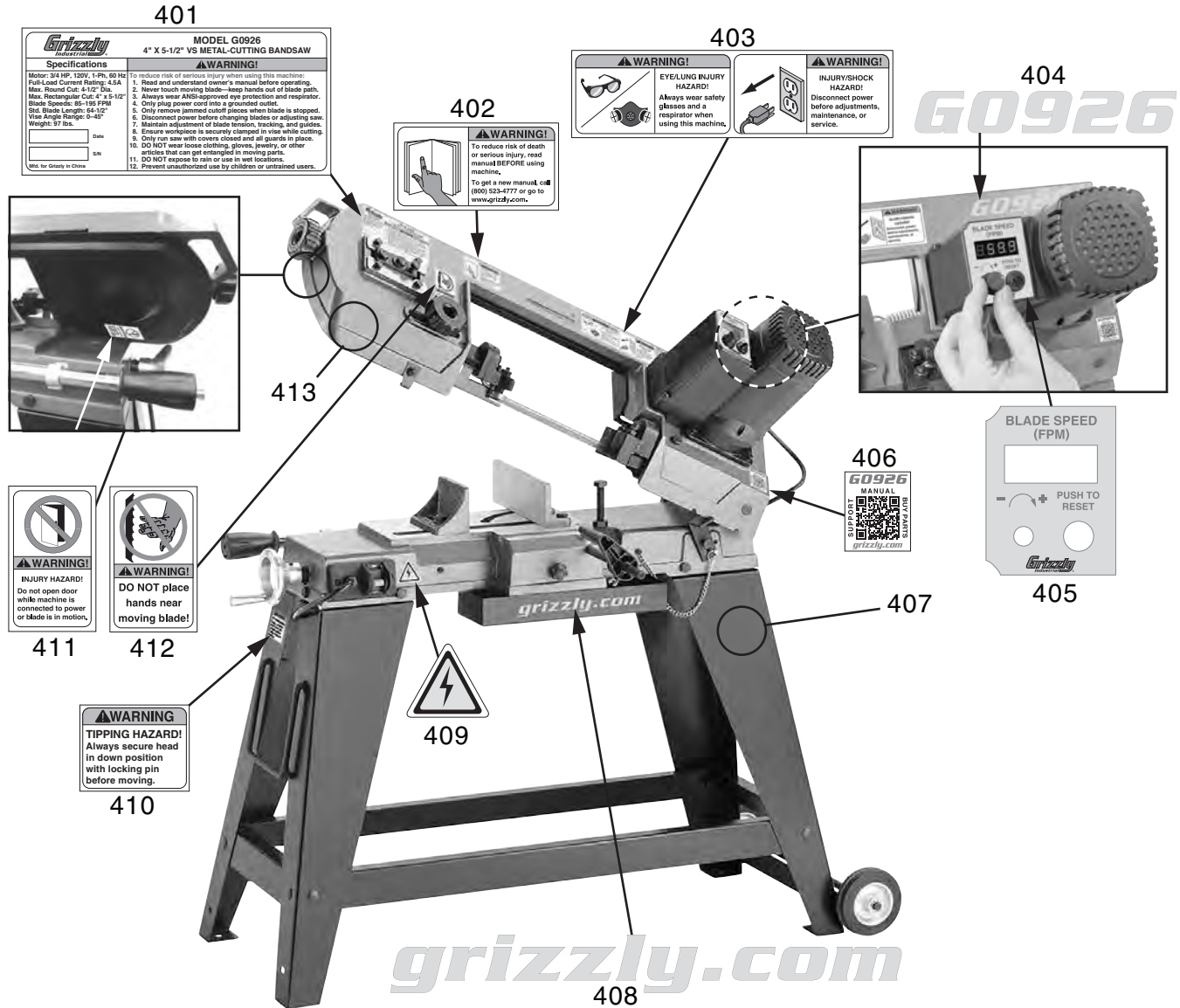


REF	PART #	DESCRIPTION
300	P0926300	LOCK WASHER 8MM
301	P0926301	FLAT WASHER 8MM
302	P0926302	CARRIAGE BOLT M8-1.25 X 16
303	P0926303	BRACE (LONG)
304	P0926304	BRACE (SHORT)
305	P0926305	HEX NUT M6-1
306	P0926306	FLAT WASHER 6MM
307	P0926307	WHEEL 4"
308	P0926308	HEX BOLT M6-1 X 12
309	P0926309	FLAT WASHER 6MM

REF	PART #	DESCRIPTION
310	P0926310	LOCK WASHER 6MM
311	P0926311	AXLE BRACKET
312	P0926312	AXLE
313	P0926313	COTTER PIN 2.5 X 20MM STANDARD
395	P0926395	COTTER PIN 2.5 X 20MM STANDARD
396	P0926396	TRANSPORT HANDLE
397	P0926397	LEG (RIGHT, FRONT)
398	P0926398	LEG (LEFT, FRONT)
399	P0926399	HEX NUT M8-1.25



Labels & Cosmetics



REF	PART #	DESCRIPTION
401	P0926401	MACHINE ID LABEL
402	P0926402	READ MANUAL LABEL
403	P0926403	EYE/LUNG/SHOCK INJURY LABEL
404	P0926404	MODEL NUMBER LABEL
405	P0926405	BLADE SPEED LABEL
406	P0926406	QR CODE LABEL
407	P0926407	TOUCH-UP PAINT, GRIZZLY BLACK

REF	PART #	DESCRIPTION
408	P0926408	GRIZZLY.COM LABEL
409	P0926409	ELECTRICITY LABEL
410	P0926410	TIPPING HAZARD LABEL
411	P0926411	DOOR CLOSED LABEL
412	P0926412	MOVING BLADE LABEL
413	P0926413	TOUCH-UP PAINT, GRIZZLY GREEN

⚠ WARNING

Safety labels help reduce the risk of serious injury caused by machine hazards. If any label comes off or becomes unreadable, the owner of this machine **MUST** replace it in the original location before resuming operations. For replacements, contact (800) 523-4777 or www.grizzly.com.

