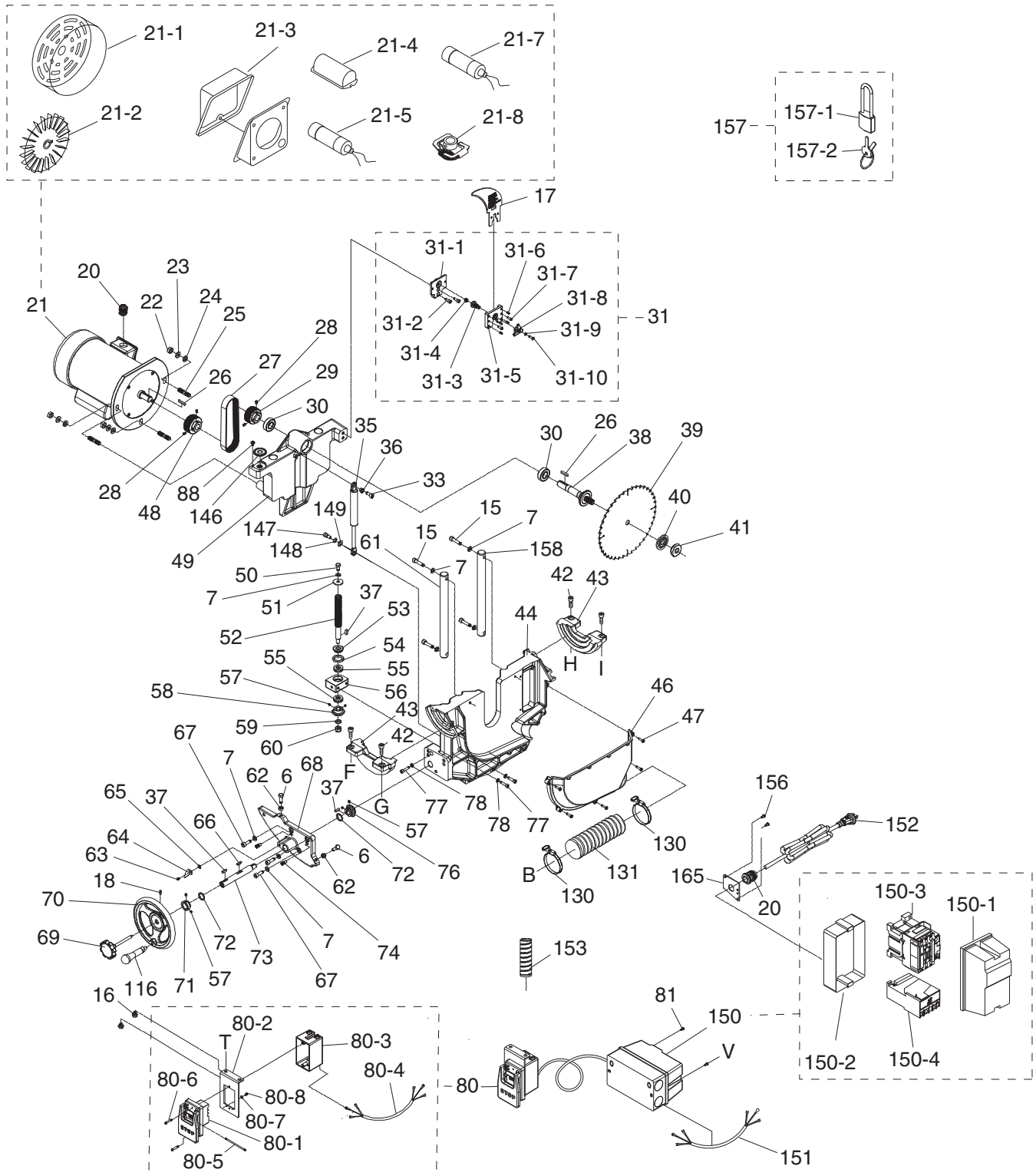


# PARTS

We do our best to stock replacement parts when possible, but we cannot guarantee that all parts shown are available for purchase. Call **(800) 523-4777** or visit [www.grizzly.com/parts](http://www.grizzly.com/parts) to check for availability.

## Motor & Arbor



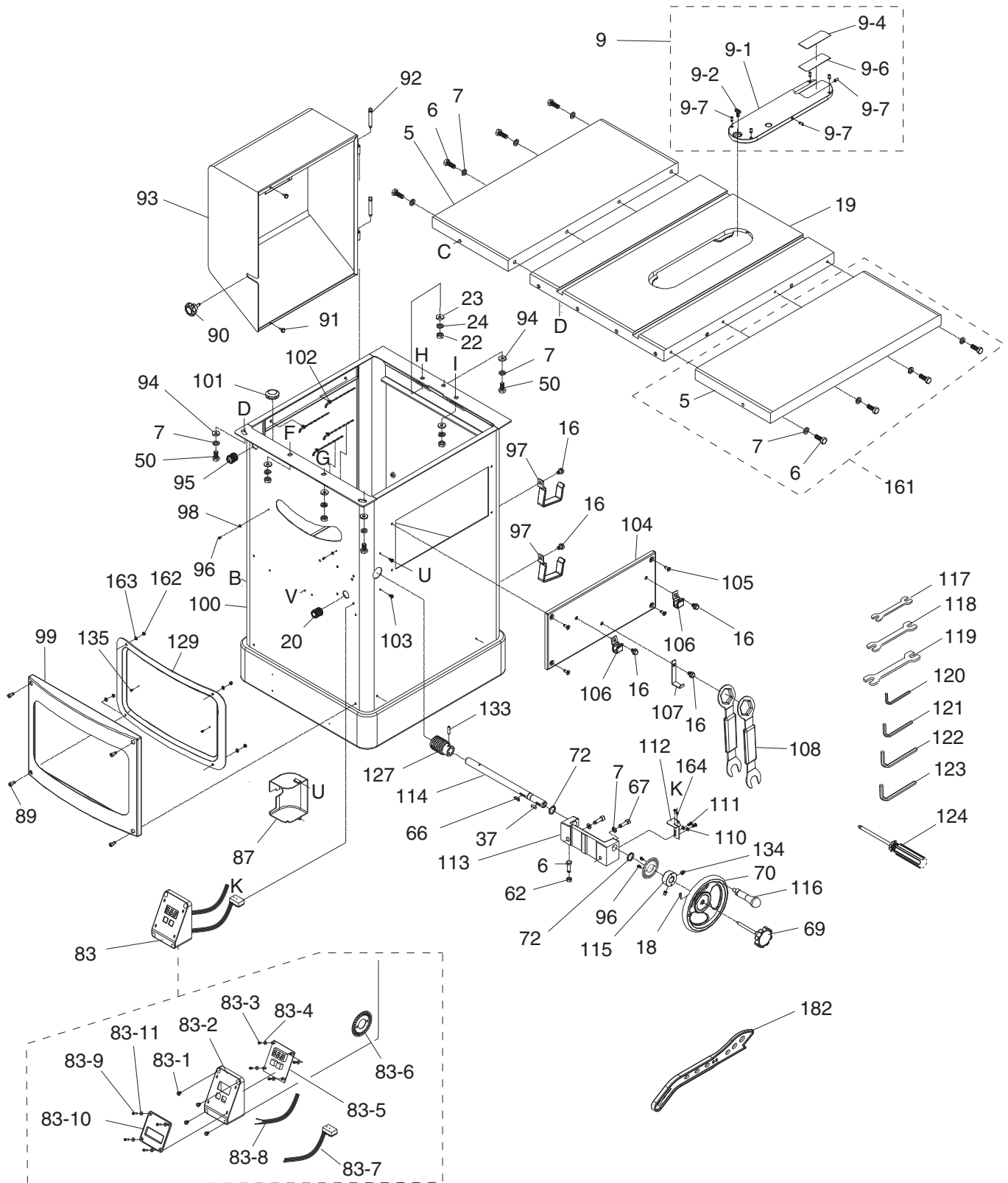
# Motor & Arbor Parts List

REF	PART #	DESCRIPTION
6	P0941006	HEX BOLT M8-1.25 X 25
7	P0941007	LOCK WASHER 8MM
15	P0941015	CAP SCREW M8-1.25 X 35
16	P0941016	HEX BOLT M8-1.25 X 12
17	P0941017	RIVING KNIFE
18	P0941018	SET SCREW M6-1 X 10
20	P0941020	STRAIN RELIEF PG16 TYPE-6 ST
21	P0941021	MOTOR 3HP 220V 1-PH
21-1	P0941021-1	MOTOR FAN COVER
21-2	P0941021-2	MOTOR FAN
21-3	P0941021-3	JUNCTION BOX
21-4	P0941021-4	CAPACITOR COVER
21-5	P0941021-5	R CAPACITOR 50M 250V 1-3/4 X 3-3/8
21-7	P0941021-7	S CAPACITOR 300M 125V 1-3/4 X 3-3/8
21-8	P0941021-8	CENTRIFUGAL SWITCH
22	P0941022	HEX NUT M10-1.5
23	P0941023	LOCK WASHER 10MM
24	P0941024	FLAT WASHER 10MM
25	P0941025	MOTOR BOLT
26	P0941026	KEY 5 X 5 X 30
27	P0941027	FLAT BELT 180J-9
28	P0941028	SET SCREW M6-1 X 8
29	P0941029	PULLEY
30	P0941030	BALL BEARING 6004-2RS
31	P0941031	CLAMPING BRACKET
31-1	P0941031-1	MOUNTING BASE
31-2	P0941031-2	CAP SCREW M8-1.25 X 16
31-3	P0941031-3	LOCKING BOLT
31-4	P0941031-4	COMPRESSION SPRING
31-5	P0941031-5	MOUNTING BRACKET PLATE
31-6	P0941031-6	SET SCREW M5-.8 X 8
31-7	P0941031-7	BUTTON HD CAP SCR M5-.8 X 16
31-8	P0941031-8	HANDLE
31-9	P0941031-9	LOCK WASHER 5MM
31-10	P0941031-10	HEX BOLT M5-.8 X 12
33	P0941033	CAP SCREW M8-1.25 X 20
35	P0941035	GAS SPRING
36	P0941036	BUSHING
37	P0941037	KEY 5 X 5 X 18
38	P0941038	ARBOR SHAFT
39	P0941039	BLADE 10" X 40T
40	P0941040	ARBOR FLANGE
41	P0941041	ARBOR NUT
42	P0941042	CAP SCREW M10-1.5 X 30
43	P0941043	TRUNNION SLIDE
44	P0941044	TRUNNION
46	P0941046	DUST CHUTE
47	P0941047	PHLP HD SCR M5-.8 X 20
48	P0941048	MOTOR PULLEY
49	P0941049	BRACKET
50	P0941050	HEX BOLT M8-1.25 X 16
51	P0941051	FENDER WASHER 8MM
52	P0941052	LEADSCREW
53	P0941053	BUSHING
54	P0941054	GASKET

REF	PART #	DESCRIPTION
55	P0941055	THRUST BEARING 51102
56	P0941056	LEADSCREW BRACKET
57	P0941057	SET SCREW M5-.8 X 5
58	P0941058	LEFT BEVEL GEAR
59	P0941059	FLAT WASHER 10MM
60	P0941060	LOCK NUT M10-1.25
61	P0941061	SUPPORT L
62	P0941062	HEX NUT M8-1.25
63	P0941063	PHLP HD SCR M6-1 X 12
64	P0941064	TILT ARROW POINTER
65	P0941065	EXT TOOTH WASHER 6MM
66	P0941066	KEY 5 X 5 X 18
67	P0941067	CAP SCREW M8-1.25 X 25
68	P0941068	HEIGHT HANDWHEEL MOUNTING PLATE
69	P0941069	LOCK KNOB
70	P0941070	HANDWHEEL
71	P0941071	LOCK COLLAR
72	P0941072	PLASTIC BUSHING 19MM ID
73	P0941073	BLADE HEIGHT HANDWHEEL SHAFT
74	P0941074	ALIGNMENT PIN
76	P0941076	RIGHT BEVEL GEAR
77	P0941077	CAP SCREW M6-1 X 25
78	P0941078	LOCK WASHER 6MM
80	P0941080	ON/OFF SWITCH ASSY
80-1	P0941080-1	ON/OFF BUTTON PADDLE SWITCH
80-2	P0941080-2	ON/OFF SWITCH BRACKET
80-3	P0941080-3	ON/OFF SWITCH BOX
80-4	P0941080-4	ON/OFF SWITCH CORD 16G 4W 67"
80-5	P0941080-5	SAFETY PIN
80-6	P0941080-6	PHLP HD SCR M4-.7 X 25
80-7	P0941080-7	EXT TOOTH WASHER 4MM
80-8	P0941080-8	PHLP HD SCR M4-.7 X 6
81	P0941081	PHLP HD SCR 10-24 X 1/2
88	P0941088	BUTTON HD CAP SCR M5-.8 X 10
116	P0941116	HANDWHEEL HANDLE
130	P0941130	HOSE CLAMP 2.5"
131	P0941131	DUST CHUTE HOSE 2.5" X 39"
146	P0941146	BRUSH
147	P0941147	GAS SPRING M10 SCREW
148	P0941148	WAVE WASHER 10MM
149	P0941149	FLAT WASHER 10MM
150	P0941150	MAGNETIC SWITCH 3HP 1-PH 13A
150-1	P0941150-1	MAG SWITCH FRONT COVER
150-2	P0941150-2	MAG SWITCH BACK COVER
150-3	P0941150-3	CONTACTOR SDE MA-18 220V
150-4	P0941150-4	OL RELAY SDE RA-20 12-18A
151	P0941151	MOTOR CORD 14G 3W 63"
152	P0941152	POWER CORD 14G 3W 150" 6-15P
153	P0941153	WIRE PROTECTOR 16 X 20 X 300MM
156	P0941156	PHLP HD SCR M5-.8 X 10
157	P0941157	SWITCH DISABLING LOCK ASSEMBLY
157-1	P0941157-1	SWITCH DISABLING LOCK 3/16"
157-2	P0941157-2	SWITCH DISABLING LOCK KEY
158	P0941158	SUPPORT R
165	P0941165	CORD FIX PLATE



# Cabinet

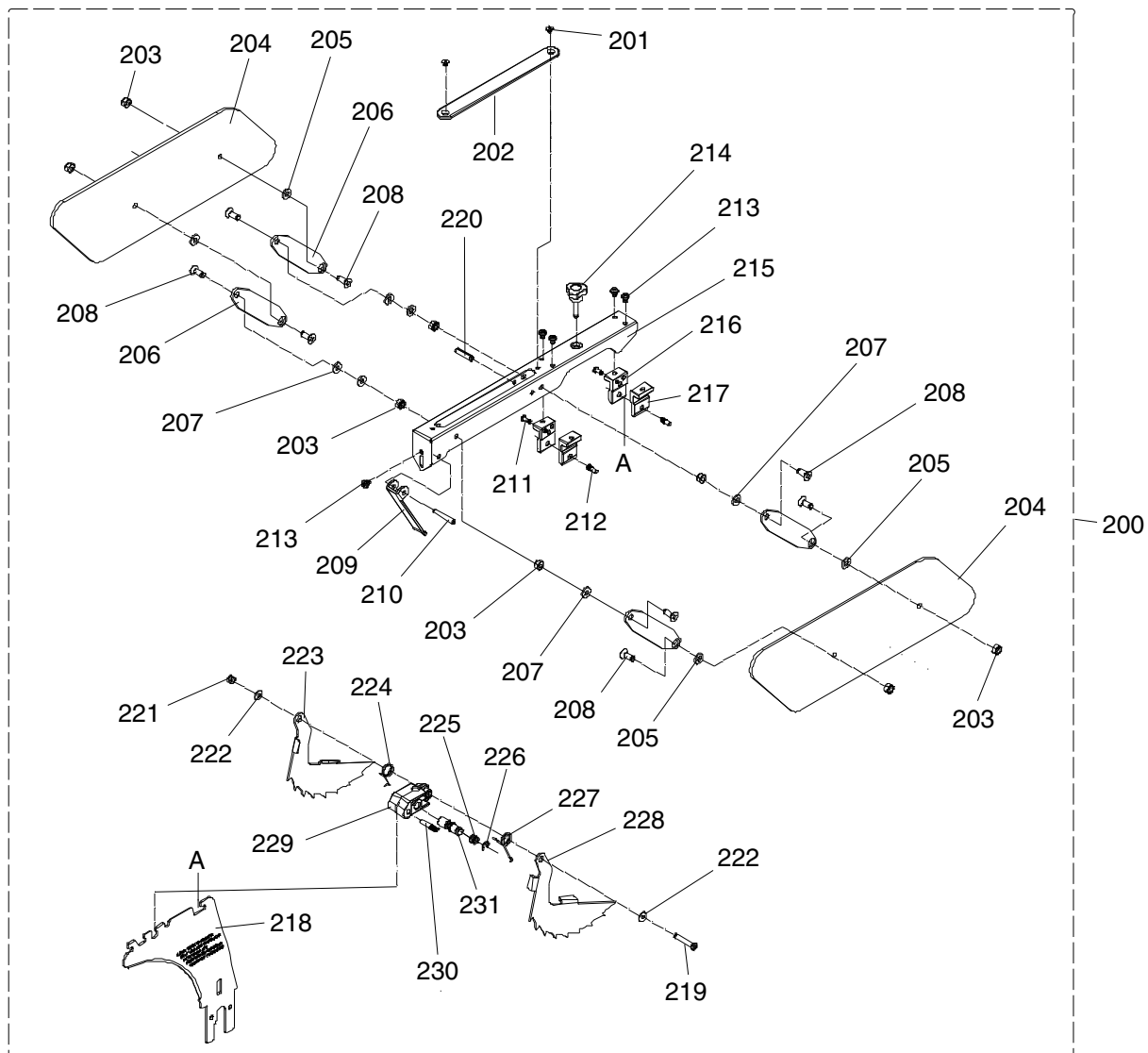


# Cabinet Parts List

REF	PART #	DESCRIPTION	REF	PART #	DESCRIPTION
5	P0941005	EXTENSION WING	93	P0941093	MOTOR ACCESS COVER
6	P0941006	HEX BOLT M8-1.25 X 25	94	P0941094	FLAT WASHER 8MM
7	P0941007	LOCK WASHER 8MM	95	P0941095	STRAIN RELIEF PG13.5 TYPE-6 ST
9	P0941009	TABLE INSERT ASSEMBLY	96	P0941096	PHLP HD SCR M4-.7 X 6
9-1	P0941009-1	TABLE INSERT	97	P0941097	FENCE STORAGE BRACKET
9-2	P0941009-2	LOCK KNOB M5-.8	98	P0941098	FLAT WASHER 4MM
9-4	P0941009-4	LEFT PLATE W/TAPE	99	P0941099	FRONT COVER
9-6	P0941009-6	RIGHT PLATE W/TAPE 35MM	100	P0941100	CABINET
9-7	P0941009-7	SET SCREW M6-1 X 12	101	P0941101	GROMMET 26 X 25MM
16	P0941016	HEX BOLT M8-1.25 X 12	102	P0941102	CHAIN
18	P0941018	SET SCREW M6-1 X 10	103	P0941103	TAP SCREW M4 X 12
19	P0941019	TABLE	104	P0941104	COVER RIGHT
20	P0941020	STRAIN RELIEF PG16 TYPE-6 ST	105	P0941105	FLAT HD SCR M6-1 X 20
22	P0941022	HEX NUT M10-1.5	106	P0941106	MITER GAUGE MOUNTING BRACKET
23	P0941023	LOCK WASHER 10MM	107	P0941107	WRENCH MOUNTING BRACKET
24	P0941024	FLAT WASHER 10MM	108	P0941108	ARBOR WRENCH
37	P0941037	KEY 5 X 5 X 18	110	P0941110	FLAT WASHER 5MM
50	P0941050	HEX BOLT M8-1.25 X 16	111	P0941111	PHLP HD SCR M5-.8 X 8
62	P0941062	HEX NUT M8-1.25	112	P0941112	L-PLATE
66	P0941066	KEY 5 X 5 X 18	113	P0941113	BLADE TILT SHAFT BRACKET
67	P0941067	CAP SCREW M8-1.25 X 25	114	P0941114	BLADE TILT SHAFT
69	P0941069	LOCK KNOB	115	P0941115	HANDWHEEL RING
70	P0941070	HANDWHEEL	116	P0941116	HANDWHEEL HANDLE
72	P0941072	PLASTIC BUSHING 19MM ID	117	P0941117	WRENCH 8 X 10MM OPEN-ENDS
83	P0941083	DIGITAL SENSOR ASSEMBLY	118	P0941118	WRENCH 11 X 13MM OPEN-ENDS
83-1	P0941083-1	PHLP HD SCR M5-.8 X 8	119	P0941119	WRENCH 14 X 17MM OPEN-ENDS
83-2	P0941083-2	DIGITAL READOUT COVER	120	P0941120	HEX WRENCH 3MM
83-3	P0941083-3	PHLP HD SCR M3-.5 X 8	121	P0941121	HEX WRENCH 4MM
83-4	P0941083-4	FLAT WASHER 3MM	122	P0941122	HEX WRENCH 5MM
83-5	P0941083-5	CIRCUIT BOARD	123	P0941123	HEX WRENCH 6MM
83-6	P0941083-6	SENSOR PLATE	124	P0941124	SCREWDRIVER PHLP/FLAT HD#1
83-7	P0941083-7	DATA CORD 24G 4W 18"	127	P0941127	SHAFT
83-8	P0941083-8	DIGITAL READOUT CORD 18G 2W 24"	129	P0941129	PLATE
83-9	P0941083-9	PHLP HD SCR M3-.5 X 12	133	P0941133	ALIGNMENT PIN 5 X 28
83-10	P0941083-10	DIGITAL SENSOR COVER	134	P0941134	SET SCREW M8-1.25 X 10
83-11	P0941083-11	FLAT WASHER 3MM	135	P0941135	PHLP HD SCR M4-.7 X 8
87	P0941087	SENSOR COVER	161	P0941161	EXTENSION WING ASSEMBLY
89	P0941089	CAP SCREW M6-1 X 12	162	P0941162	HEX NUT M5-.8
90	P0941090	LOCK KNOB M6-1 X 20	163	P0941163	FENDER WASHER 5MM
91	P0941091	RUBBER BUMPER	164	P0941164	HEX BOLT M3-5 X 6
92	P0941092	ALIGNMENT PIN 8 X 54	182	P0941182	PUSH STICK



# Blade Guard

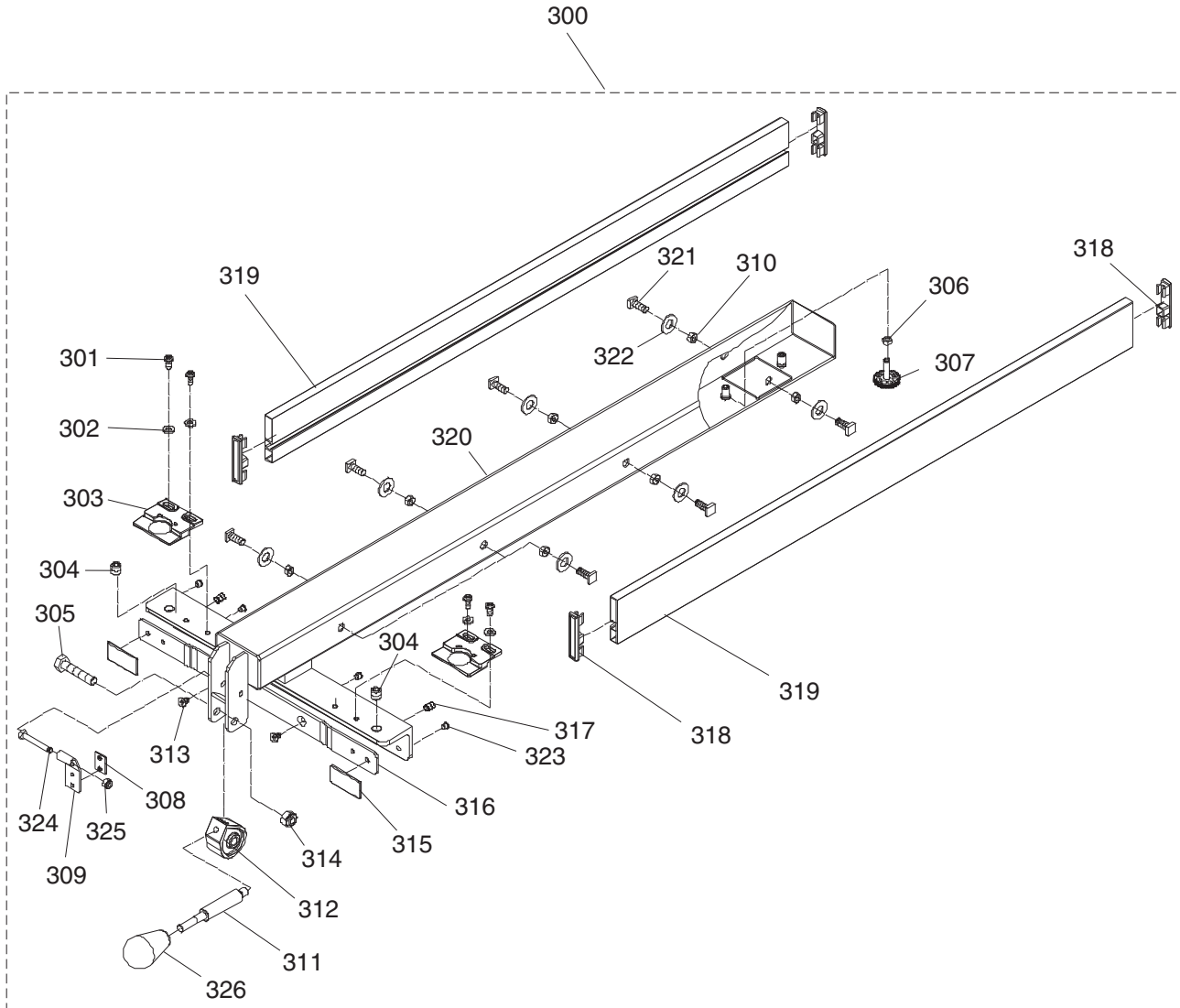


REF	PART #	DESCRIPTION
200	P0941200	BLADE GUARD ASSEMBLY
201	P0941201	FLAT HD SCREW M4-.7 X 8
202	P0941202	UPPER COVER
203	P0941203	HEX NUT M6-1
204	P0941204	BLADE GUARD COVER
205	P0941205	FLAT WASHER 6MM THIN
206	P0941206	CONNECTING PLATE
207	P0941207	FLAT WASHER 6MM
208	P0941208	FLAT HD SCR M6-1 X 16
209	P0941209	REAR COVER
210	P0941210	ROLL PIN 5 X 32
211	P0941211	PHLP HD SCR M4-.7 X 10
212	P0941212	MOUNTING PIN
213	P0941213	PHLP HD SCR M5-.8 X 6
214	P0941214	KNOB BOLT 3-LOBE, M6-1 X 35
215	P0941215	BLADE GUARD BODY

REF	PART #	DESCRIPTION
216	P0941216	MOUNTING BLOCK (LEFT)
217	P0941217	MOUNTING BLOCK (RIGHT)
218	P0941218	SPREADER
219	P0941219	PHLP HD SCR M5-.8 X 30
220	P0941220	ROLL PIN 5 X 40
221	P0941221	HEX NUT M5-.8
222	P0941222	FLAT WASHER 5MM
223	P0941223	ANTI-KICKBACK PAWL (LEFT)
224	P0941224	TORSION SPRING (LEFT)
225	P0941225	COMPRESSION SPRING
226	P0941226	E-CLIP 7MM
227	P0941227	TORSION SPRING (RIGHT)
228	P0941228	ANTI-KICKBACK PAWL (RIGHT)
229	P0941229	PAWL MOUNTING BRACKET
230	P0941230	PIN
231	P0941231	SHAFT



# Fence Assembly

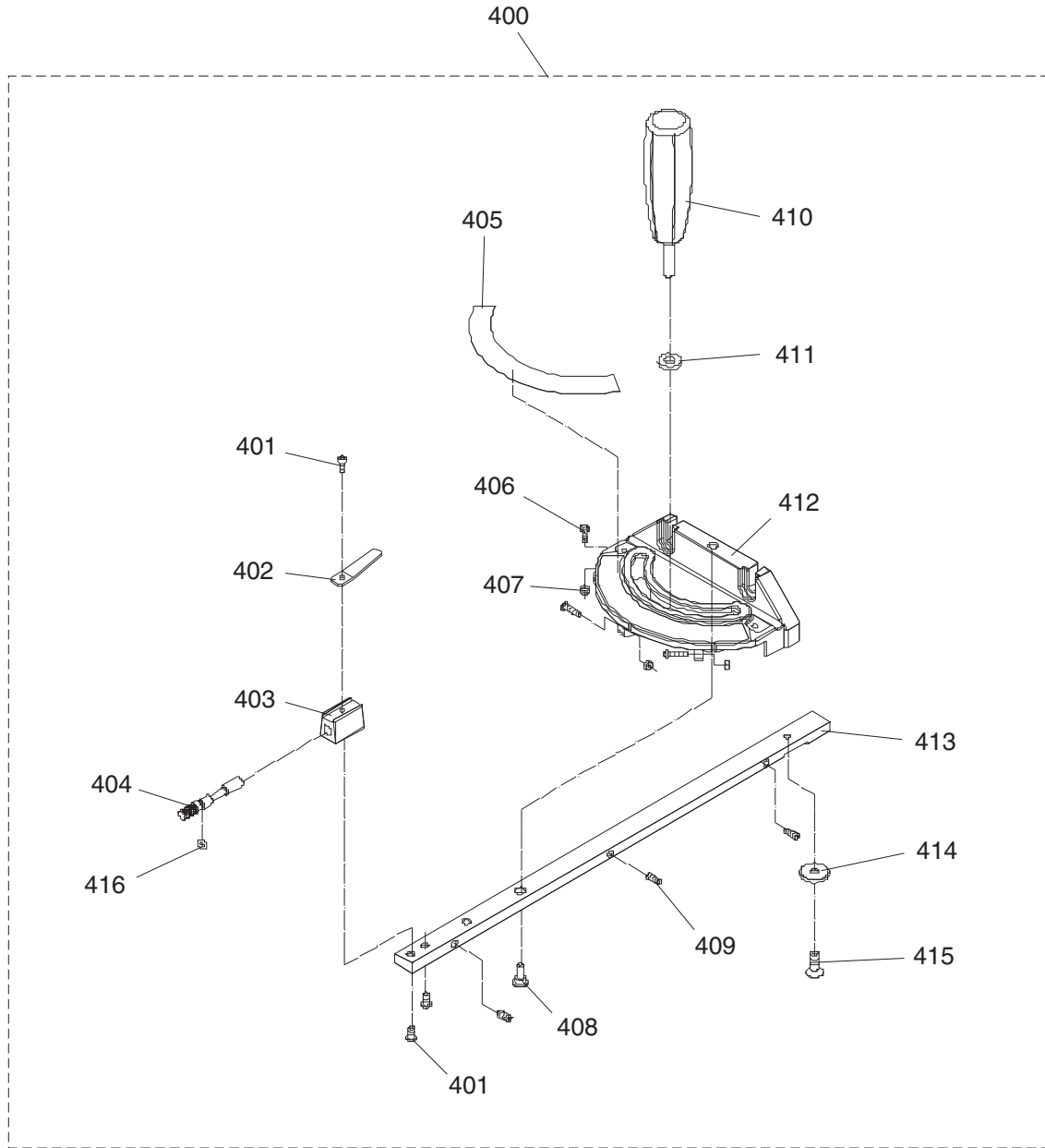


REF	PART #	DESCRIPTION
300	P0941300	FENCE ASSEMBLY
301	P0941301	PHLP HD SCR M6-1 X 12
302	P0941302	FLAT WASHER 6MM
303	P0941303	INDICATOR PLATE
304	P0941304	SET SCREW M12-1.75 X 13 PLASTIC
305	P0941305	HEX BOLT M10-1.5 X 50
306	P0941306	HEX NUT M6-1
307	P0941307	REAR RAIL FOOT
308	P0941308	FRONT PLATE
309	P0941309	FRONT BRACKET
310	P0941310	HEX NUT M8-1.25
311	P0941311	FENCE HANDLE SHAFT
312	P0941312	CAM
313	P0941313	FLAT HD SCR M6-1 X 8

REF	PART #	DESCRIPTION
314	P0941314	LOCK NUT M10-1.5
315	P0941315	PLASTIC PAD
316	P0941316	CLAMPING BRACKET
317	P0941317	SET SCREW M8-1.25 X 8
318	P0941318	PLATE CAP
319	P0941319	FENCE PLATE
320	P0941320	FENCE
321	P0941321	T-BOLT M8-1.25 X 20
322	P0941322	FLAT WASHER 8MM
323	P0941323	PLASTIC BUMPER
324	P0941324	HEX BOLT M6-1 X 45
325	P0941325	LOCK NUT M6-1
326	P0941326	OVAL TAPERED KNOB



# Miter Gauge



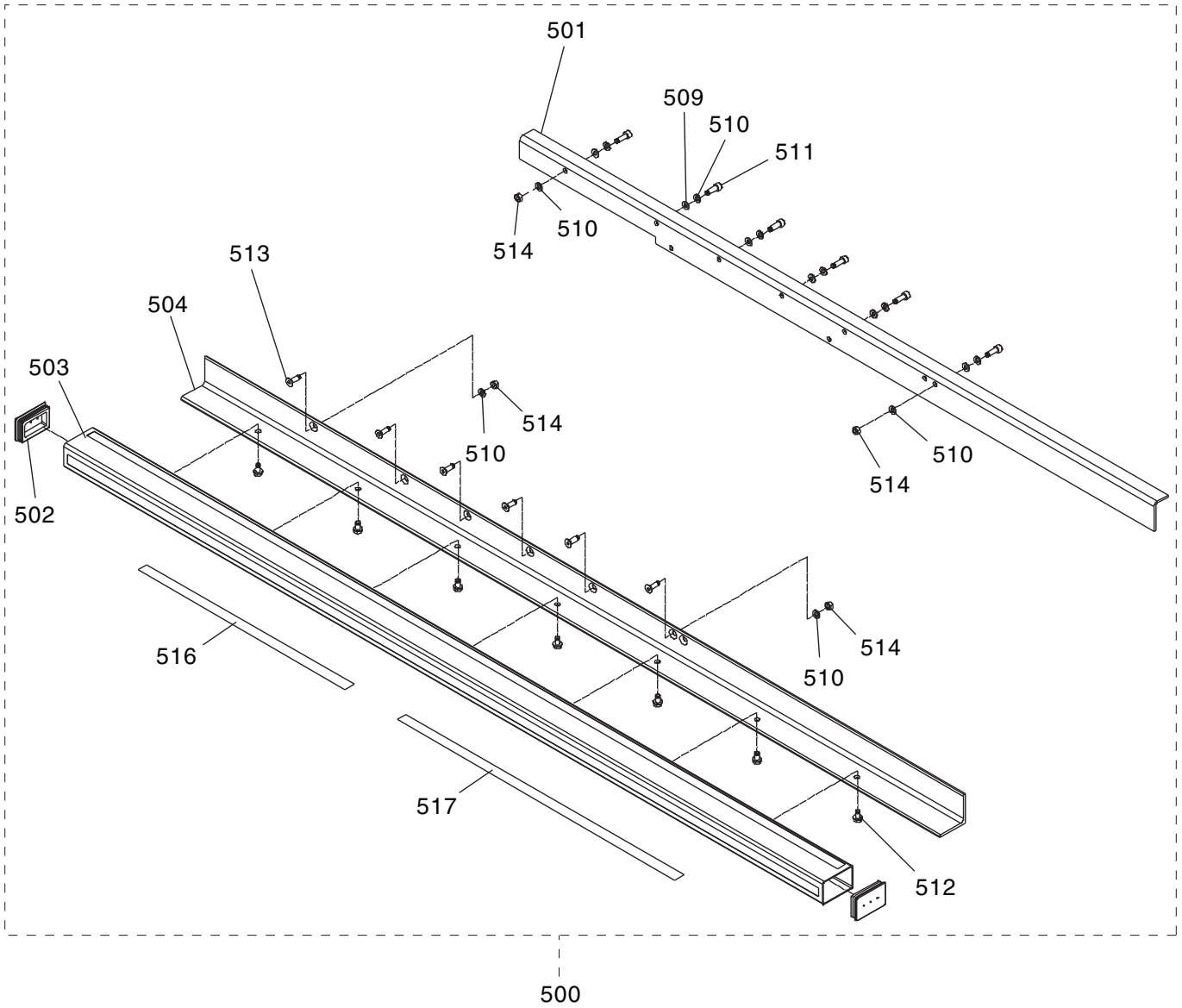
REF	PART #	DESCRIPTION
400	P0941400	MITER GAUGE ASSEMBLY
401	P0941401	PHLP HD SCR 10-24 X 3/8
402	P0941402	POINTER
403	P0941403	BLOCK
404	P0941404	SHAFT
405	P0941405	MITER GAUGE SCALE
406	P0941406	PHLP HD SCR 8-32 X 5/8
407	P0941407	HEX NUT 8-32
408	P0941408	PHLP HD SCR 1/4-20 X 1/2

REF	PART #	DESCRIPTION
409	P0941409	MITER GAUGE SET SCREW M5-.8 X 12
410	P0941410	MITER GAUGE HANDLE
411	P0941411	FLAT WASHER 8MM
412	P0941412	MITER GAUGE
413	P0941413	PLATE
414	P0941414	GUIDE PLATE
415	P0941415	FLAT HD SCR M6-1 X 8
416	P0941416	O-RING 4.8 X 1.9 P5





# Rail Assembly



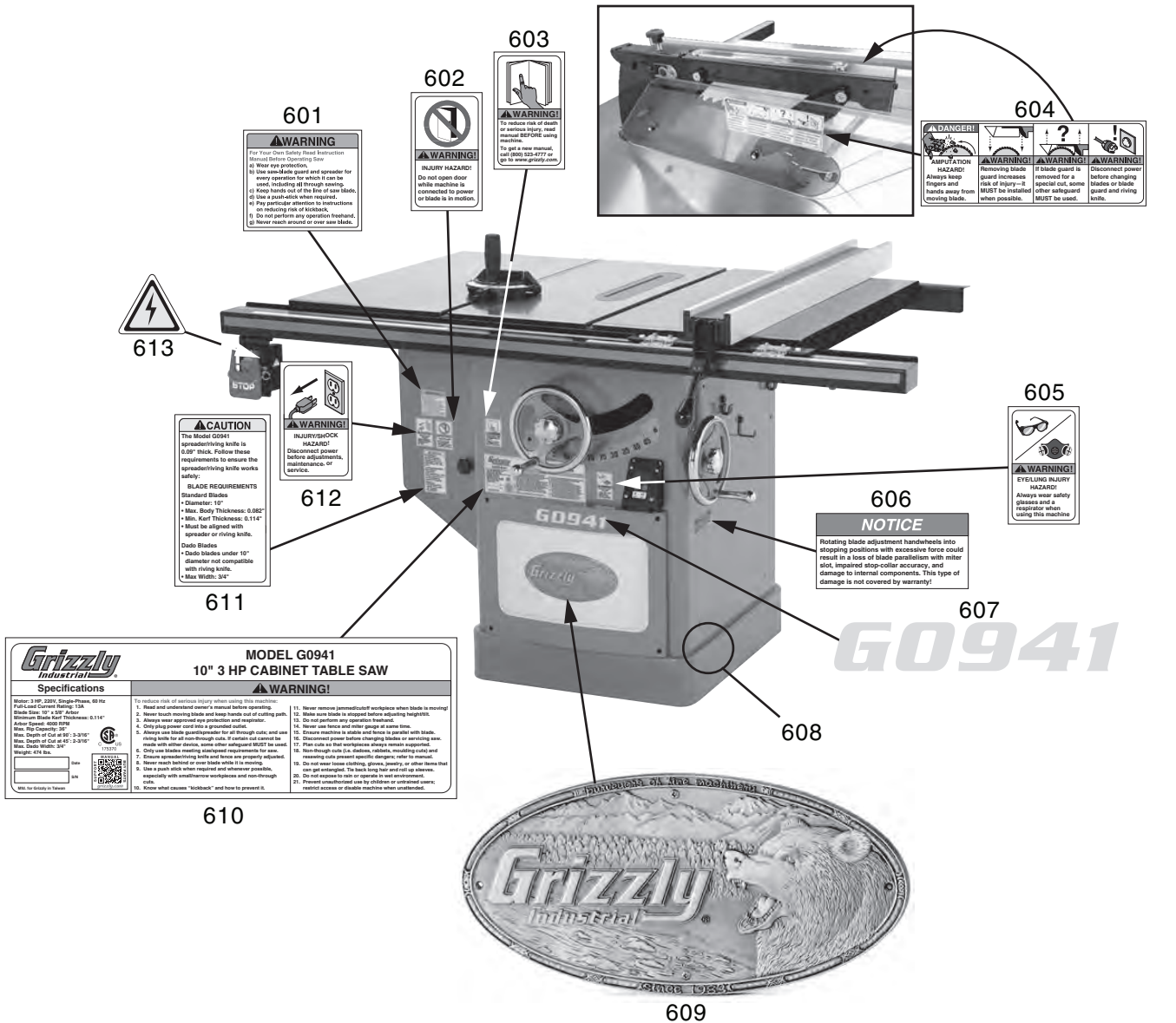
REF	PART #	DESCRIPTION
500	P0941500	RAIL ASSEMBLY
501	P0941501	REAR RAIL 62-1/2"
502	P0941502	END CAP
503	P0941503	FENCE GUIDE TUBE
504	P0941504	FRONT RAIL 75"
509	P0941509	FLAT WASHER 8MM
510	P0941510	LOCK WASHER 8MM

REF	PART #	DESCRIPTION
511	P0941511	CAP SCREW M8-1.25 X 25
512	P0941512	HEX BOLT M8-1.25 X 12
513	P0941513	FLAT HD SCR M8-1.25 X 25
514	P0941514	HEX NUT M8-1.25
516	P0941516	LEFT SCALE 18"
517	P0941517	RIGHT SCALE 36"





# Labels & Cosmetics



REF	PART #	DESCRIPTION
601	P0941601	UL 987 WARNING LABEL
602	P0941602	KEEP DOOR CLOSED LABEL
603	P0941603	READ MANUAL LABEL
604	P0941604	BLADE GUARD LABEL
605	P0941605	EYE/LUNG INJURY LABEL
606	P0941606	HANDWHEEL NOTICE LABEL
607	P0941607	MODEL NUMBER LABEL

REF	PART #	DESCRIPTION
608	P0941608	TOUCH-UP PAINT, GRIZZLY GREEN
609	P0941609	GRIZZLY NAMEPLATE
610	P0941610	MACHINE ID LABEL
611	P0941611	BLADE REQUIREMENT LABEL
612	P0941612	DISCONNECT POWER LABEL
613	P0941613	ELECTRICITY LABEL

**⚠ WARNING**

Safety labels help reduce the risk of serious injury caused by machine hazards. If any label comes off or becomes unreadable, the owner of this machine **MUST** replace it in the original location before resuming operations. For replacements, contact (800) 523-4777 or [www.grizzly.com](http://www.grizzly.com).

