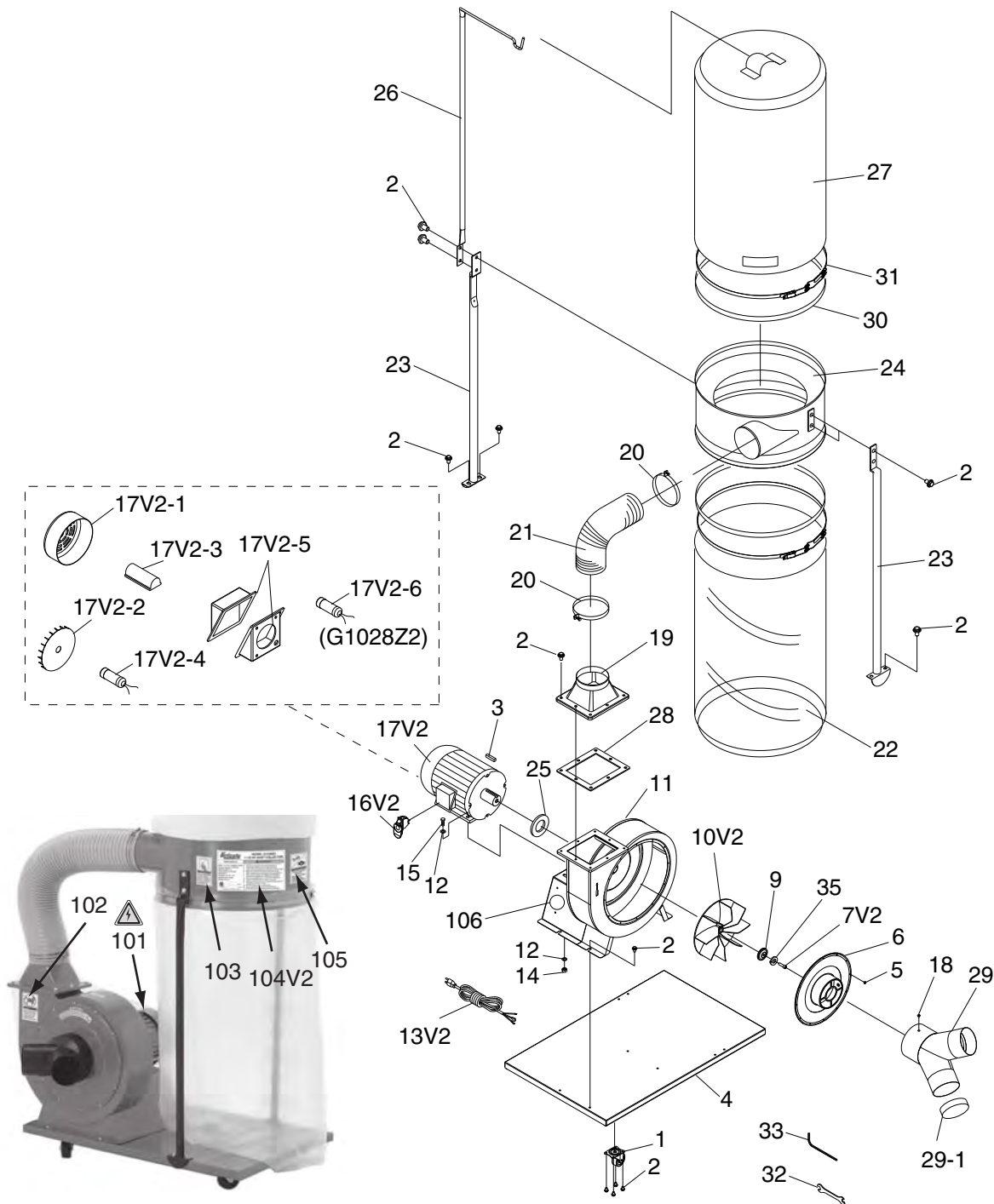


G1028Z2/G1029Z2 Main Breakdown



⚠️ WARNING

Safety labels warn about machine hazards and ways to prevent injury. The owner of this machine **MUST** maintain the original location and readability of the labels on the machine. If any label is removed or becomes unreadable, **REPLACE** that label before using the machine again. Contact Grizzly at (800) 523-4777 or www.grizzly.com to order new labels.



G1028Z2 Main Parts List

REF	PART #	DESCRIPTION
1	P1028Z2001	CASTER
2	PFB01	FLANGE BOLT 5/16-18 X 1/2
3	PK32M	KEY 6 X 6 X 28
4	P1028Z2004	BASE PLATE
5	PS06	PHLP HD SCR 10-24 X 3/8
6	P1028Z2006	INLET COVER 6"
7V2	P1028Z2007V2	CAP SCREW M6-1 X 30 LH PRE-COATED
9	P1028Z2009	IMPELLER WASHER
10V2	P1028Z2010V2	IMPELLER 12-3/4" ALUMINUM V2.09.11
11	P1028Z2011	COLLECTOR BODY
12	PW07	FLAT WASHER 5/16
13V2	P1028Z2013V2	POWER CORD 14G 3W 6' 5-15 V2.09.11
14	PN02	HEX NUT 5/16-18
15	PB03	HEX BOLT 5/16-18 X 1
16V2	P1028Z2016V2	PADDLE SWITCH V2.09.11
17V2	P1028Z2017V2	MOTOR 1-1/2HP 120V/240V 1PH V2.09.11
17V2-1	P1028Z2017V2-1	MOTOR FAN COVER
17V2-2	P1028Z2017V2-2	MOTOR FAN
17V2-3	P1028Z2017V2-3	CAPACITOR COVER
17V2-4	PC300G	S CAPACITOR 300M 125V 1-3/4 X 3-3/8
17V2-5	P1028Z2017V2-5	JUNCTION BOX
17V2-6	P1028Z2017V2-6	R CAPACITOR 45M 250V 1-3/4 x 2-3/8
18	PS06	PHLP HD SCR 10-24 X 3/8

REF	PART #	DESCRIPTION
19	P1028Z2019	OUTLET
20	P1028Z2020	HOSE CLAMP 5"
21	P1028Z2021	HOSE 5"
22	T20543	LOWER PLASTIC BAG
23	P1028Z2023	COLLECTOR SUPPORT
24	P1028Z2024	COLLECTOR
25	P1028Z2025	SPACER
26	P1028Z2026	UPPER BAG SUPPORT
27	G5556	2.5 MICRON FILTER BAG
28	P1028Z2028	GASKET
29	P1028Z2029	Y-INLET 6 X 4 X 4"
29-1	P1028Z2029-1	INLET CAP 4"
30	P1028Z2030	FOAM STRIP 5 X 20MM
31	P1028Z2031	BELT CLAMP
32	PWR1012	WRENCH 10 X 12MM OPEN-END
33	PAW05M	WRENCH HEX 5MM
35	PLW03M	LOCK WASHER 6MM
101	PLABEL-14	ELECTRICITY LABEL
102	PLABEL-59	HANDS/OUTLET LABEL
103	PLABEL-12A	READ MANUAL LABEL
104V2	P1028Z2104V2	MACHINE ID LABEL CSA V2.09.11
105	PLABEL-57	EYE/LUNG LABEL
106	PPAINT-1	GRIZZLY GREEN PAINT

G1029Z2 Main Parts List

REF	PART #	DESCRIPTION
1	P1028Z2001	CASTER
2	PFB01	FLANGE BOLT 5/16-18 X 1/2
3	PK28M	KEY 7 X 7 X 29
4	P1028Z2004	BASE PLATE
5	PS06	PHLP HD SCR 10-24 X 3/8
6	P1028Z2006	INLET COVER 6"
7V2	P1028Z2007V2	CAP SCREW M6-1 X 30 LH PRE-COATED
9	P1028Z2009	IMPELLER WASHER
10V2	P1029Z2010V2	IMPELLER 12-3/4" ALUMINUM V2.09.11
11	P1028Z2011	COLLECTOR BODY
12	PW07	FLAT WASHER 5/16
13V2	P1029Z2013V2	POWER CORD 14G 3C 6' 6-15 V2.09.11
14	PN02	HEX NUT 5/16-18
15	PB03	HEX BOLT 5/16-18 X 1
16V2	P1030Z2015V2	PADDLE SWITCH V2.09.11
17V2	P1029Z2017V2	MOTOR 2HP 220V 1PH V2.09.11
17V2-1	P1028Z2017V2-1	MOTOR FAN COVER
17V2-2	P1028Z2017V2-2	MOTOR FAN
17V2-3	P1028Z2017V2-3	CAPACITOR COVER
17V2-4	PC300G	S CAPACITOR 300M 125V 1-3/4 X 3-3/8
17V2-5	P1029Z2017V2-5	JUNCTION BOX
18	PFS03	FLANGE SCREW 10-24 X 3/8
19	P1028Z2019	OUTLET

REF	PART #	DESCRIPTION
20	P1028Z2020	HOSE CLAMP 5"
21	P1028Z2021	HOSE 5"
22	T20543	LOWER PLASTIC BAG
23	P1028Z2023	COLLECTOR SUPPORT
24	P1028Z2024	COLLECTOR
25	P1028Z2025	SPACER
26	P1028Z2026	UPPER BAG SUPPORT
27	G5556	2.5 MICRON FILTER BAG
28	P1028Z2028	GASKET
29	P1028Z2029	6" X 4" X 4" Y-INLET
29-1	P1028Z2029-1	INLET CAP 4"
30	P1028Z2030	FOAM STRIP 5 X 20MM
31	P1028Z2031	BELT CLAMP
32	PWR1012	WRENCH 10 X 12MM OPEN-END
33	PAW05M	WRENCH HEX 5MM
35	PLW03M	LOCK WASHER 6MM
101	PLABEL-14	ELECTRICITY LABEL
102	PLABEL-59	HANDS/OUTLET LABEL
103	PLABEL-12A	READ MANUAL LABEL
104V2	P1029Z2104V2	MACHINE ID LABEL CSA V2.09.11
105	PLABEL-57	EYE/LUNG LABEL
106	PPAINT-1	GRIZZLY GREEN PAINT

