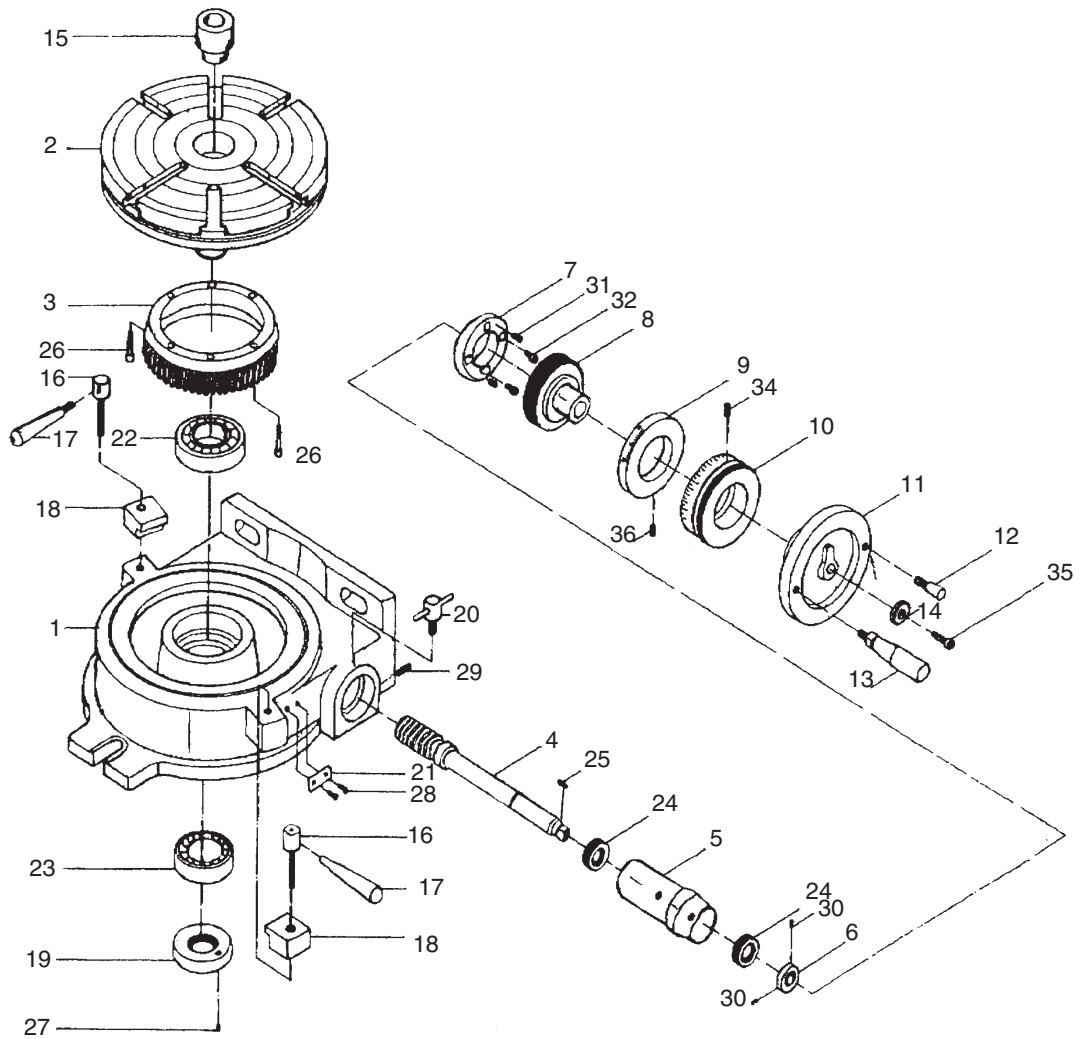


G1049 6" Rotary Table Parts Breakdown



G1049 6" Rotary Table Parts List

REF	PART #	DESCRIPTION
1	P1049001	MAIN BODY
2	P1049002	TABLE
3	P1049003	WORM GEAR
4	P1049004	WORM SHAFT
5	P1049005	ECCENTRIC HOUSING
6	P1049006	LOCK COLLAR
7	P1049007	HOLDING COVER
8	P1049008	ADJUSTMENT RING
9	P1049009	VERNIER RING
10	P1049010	MICRO COLLAR
11	P1049011	HANDWHEEL
12	P1049012	SMALL HANDLE
13	P1049013	HANDLE
14	P1049014	SPACER
15	P1049015	BUSHING
16	P1049016	CLAMP BOLT
17	P1049017	CLAMP HANDLE
18	P1049018	CLAMP

REF	PART #	DESCRIPTION
19	P1049019	LOCK NUT
20	P1049020	LOCK HANDLE
21	P1049021	POINTER
22	P1049022	BEARING 30 X 45 X 20T
23	P1049023	BEARING 25 X 42 X 4T
24	P1049024	SPACER
25	PK65M	KEY 4 X 4 X 7MM
26	PSB15M	CAP SCREW M5-.8 X 20
27	PSB18M	CAP SCREW M4-.7 X 8
28	P4000809	RIVET 2 X 5
29	PSS50M	SET SCREW M4-.7 X 20
30	PSS08M	SET SCREW M4-.7 X 5
31	PSS08M	SET SCREW M4-.7 X 5
32	PSB08M	CAP SCREW M4-.7 X 13
34	PSS07M	SET SCREW M5-.8 X 5
35	PSB27M	CAP SCREW M6-1. X 14
36	PSS07M	SET SCREW M5-.8 X 5