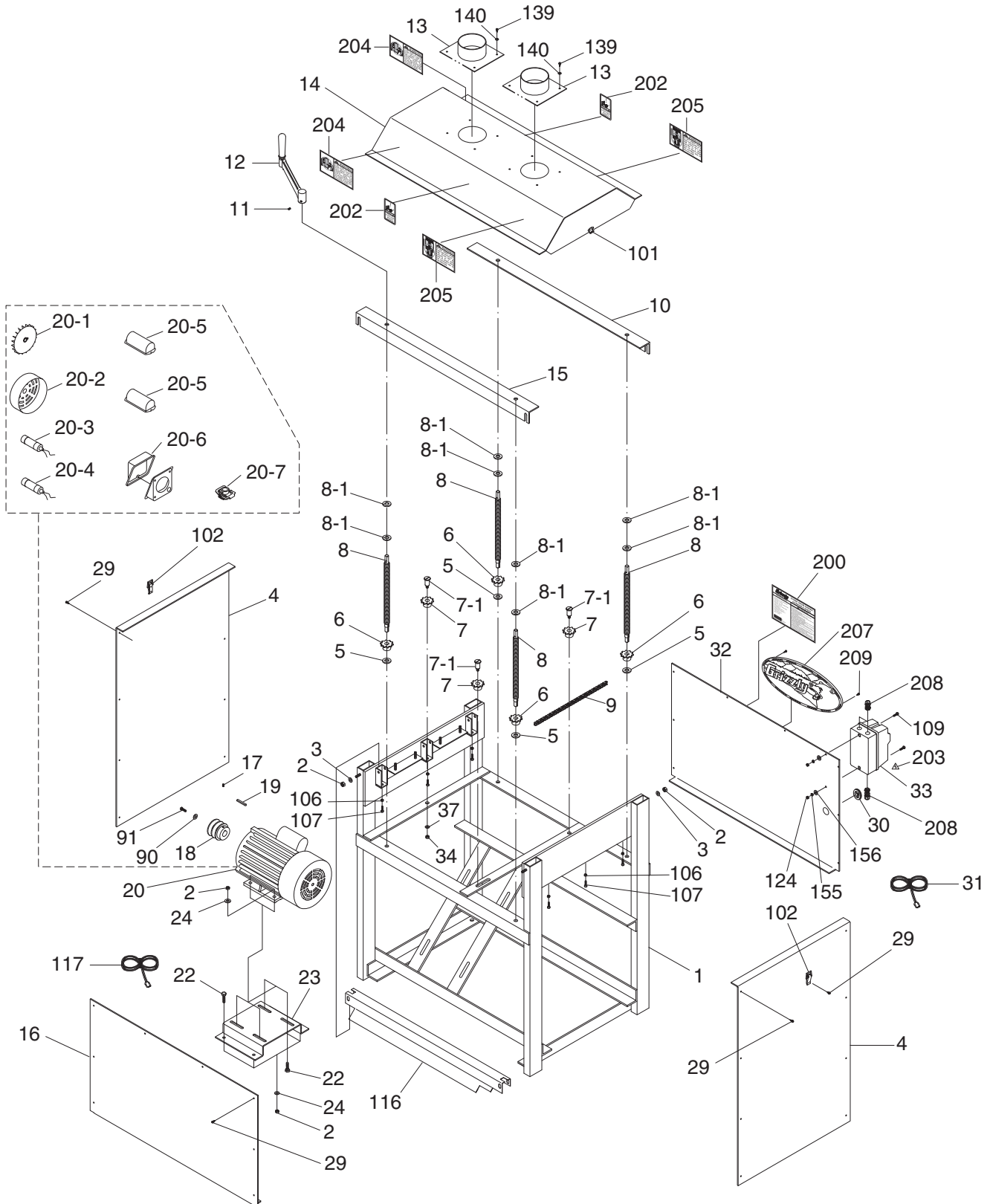
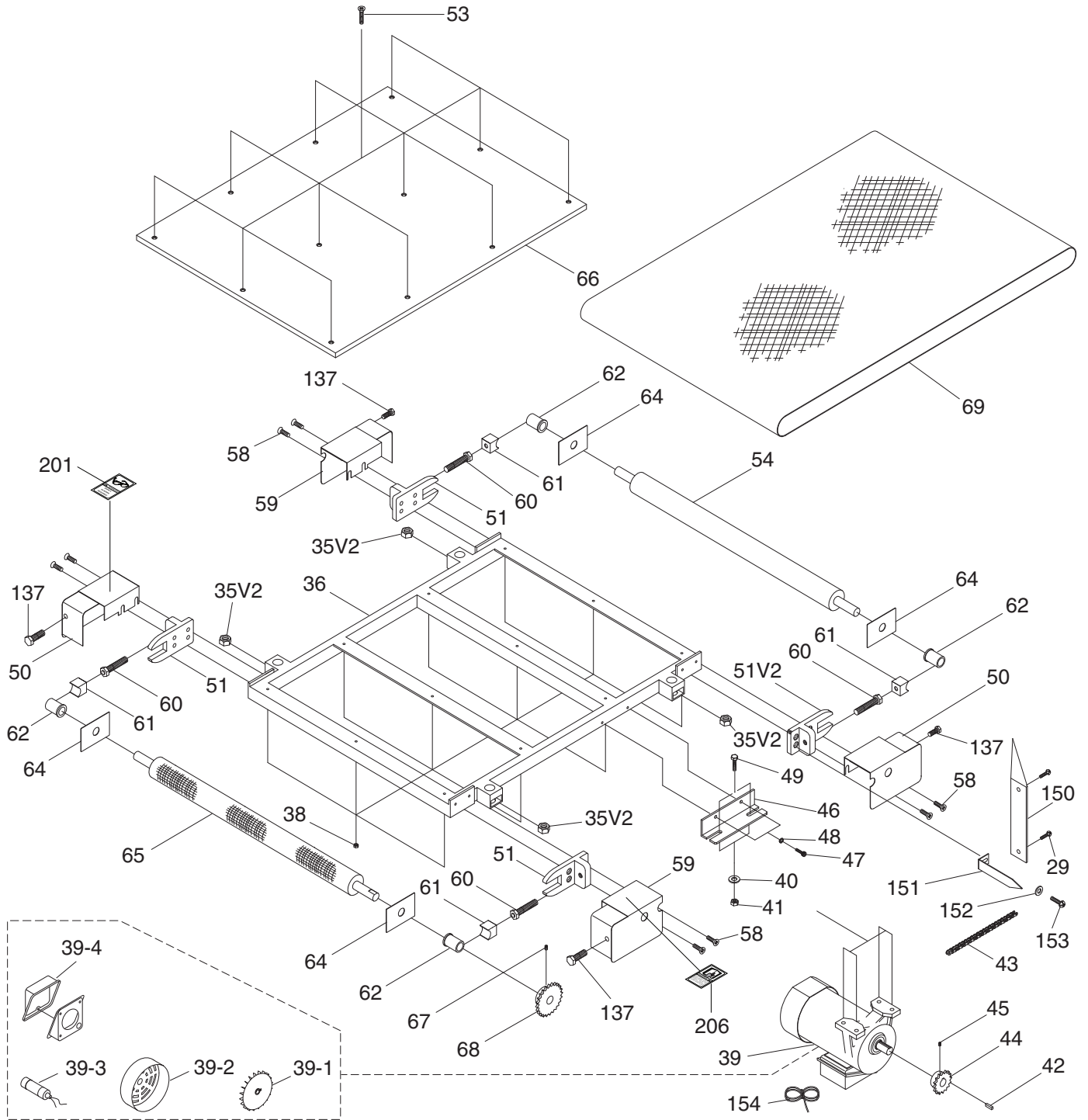


SECTION 9: PARTS

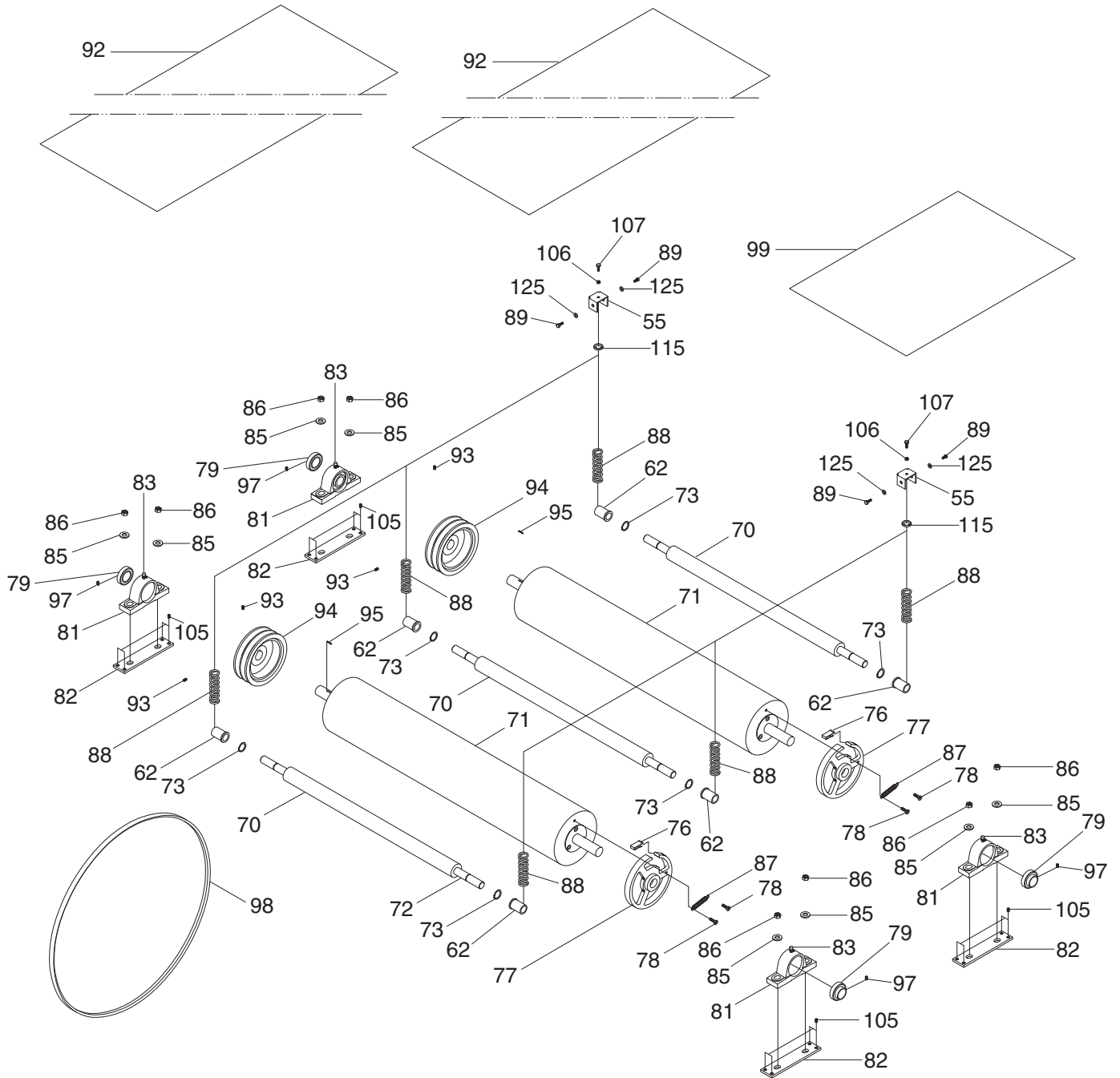
G1066R Stand & Table Elevation



G1066R Conveyor Belt & Table



G1066R Drum & Roller Mechanism



G1066R Parts List

| REF | PART # | DESCRIPTION |
|------|-------------|-------------------------------------|
| 1 | P1066R001 | FRAME |
| 2 | P1066R002 | HEX NUT 3/8-16 |
| 3 | P1066R003 | FLAT WASHER 3/8 |
| 4 | P1066R004 | SIDE PANEL |
| 5 | P1066R005 | BUSHING |
| 6 | P1066R006 | SPROCKET |
| 7 | P1066R007 | SPROCKET |
| 7-1 | P1066R007-1 | SHAFT |
| 8 | P1066R008 | TABLE SCREW FINE THREADS 3/4-16 |
| 8-1 | P1066R008-1 | TABLE SCREW SHIM 1/2 X 27 X 1 |
| 9 | P1066R009 | CHAIN |
| 10 | P1066R010 | FRONT BRACE |
| 11 | P1066R011 | SET SCREW 5/16-24 X 3/8 |
| 12 | P1066R012 | COMPLETE CRANK HANDLE ASSY |
| 13 | P1066R013 | DUST HOOD |
| 14 | P1066R014 | HOOD |
| 15 | P1066R015 | REAR BRACE |
| 16 | P1066R016 | REAR PANEL |
| 17 | P1066R017 | SET SCREW 1/4-20 X 1/2 |
| 18 | P1066R018 | MOTOR PULLEY |
| 19 | P1066R019 | KEY 1/4 X 1/4 X 3 |
| 20 | P1066R020 | DRUM MOTOR 5HP 220V 1-PH |
| 20-1 | P1066R020-1 | MOTOR FAN |
| 20-2 | P1066R020-2 | MOTOR FAN COVER |
| 20-3 | P1066R020-3 | S CAPACITOR 600M 125V 1-3/4 X 3-3/8 |
| 20-4 | P1066R020-4 | R CAPACITOR 50M 350V 1-3/4 X 3-3/8 |
| 20-5 | P1066R020-5 | CAPACITOR COVER |
| 20-6 | P1066R020-6 | JUNCTION BOX |
| 20-7 | P1066R020-7 | CENTRIFUGAL SWITCH |
| 22 | P1066R022 | HEX BOLT 3/8-16 X 1 |
| 23 | P1066R023 | BRACKET |
| 24 | P1066R024 | FLAT WASHER 3/8 |
| 29 | P1066R029 | TAP SCREW #6 X 1/2 |
| 30 | P1066R030 | GROMMET 35 X 26MM |
| 31 | P1066R031 | POWER CORD 12G 3W 86" |
| 32 | P1066R032 | FRONT PANEL |
| 33 | P1066R033 | 5 HP MAGNETIC SWITCH SINGLE-PHASE |
| 34 | P1066R034 | HEX NUT 5/16-18 |
| 35V2 | P1066R035V2 | HEX NUT 3/4-16 1-1/4" DIA V2.08.02 |
| 36 | P1066R036 | TABLE FRAME |
| 37 | P1066R037 | FLAT WASHER 5/16 |
| 38 | P1066R038 | LOCK NUT 1/4-20 |
| 39 | P1066R039 | FEED MOTOR 1/4HP 220V 1-PH |
| 39-1 | P1066R039-1 | MOTOR FAN |
| 39-2 | P1066R039-2 | MOTOR FAN COVER |
| 39-3 | P1066R039-3 | R CAPACITOR 12M 350V 1-3/8 X 2 |
| 39-4 | P1066R039-4 | JUNCTION BOX |
| 40 | P1066R040 | FLAT WASHER 5/16 |
| 41 | P1066R041 | HEX NUT 5/16-18 |
| 42 | P1066R042 | KEY 5 X 5 X 20 |
| 43 | P1066R043 | CHAIN |
| 44 | P1066R044 | SPROCKET |
| 45 | P1066R045 | SET SCREW 1/4-20 X 1/4 |
| 46 | P1066R046 | MOTOR BRACKET |
| 47 | P1066R047 | CAP SCREW 3/8-16 X 3/4 |

| REF | PART # | DESCRIPTION |
|------|-------------|-----------------------------------|
| 48 | P1066R048 | FLAT WASHER 1/4 |
| 49 | P1066R049 | HEX BOLT 5/16-18 X 1 |
| 50 | P1066R050 | GUARD HINGED LEFT |
| 51 | P1066R051 | ROLLER BRACKET |
| 51V2 | P1066R051V2 | ROLLER BRACKET V2.02.11 |
| 53 | P1066R053 | FLAT HD SCR 1/4-20 X 2-3/8 |
| 54 | P1066R054 | IDLE ROLLER SMOOTH 24 IN |
| 55 | P1066R055 | BRACKET |
| 58 | P1066R058 | CAP SCREW 1/4-20 X 3/4 |
| 59 | P1066R059 | GUARD RIGHT |
| 60 | P1066R060 | ROLLER BRACKET BOLT 1/2-13 X 70 |
| 61 | P1066R061 | BUSHING SUPPORT |
| 62 | P1066R062 | BUSHING |
| 64 | P1066R064 | PLATE |
| 65 | P1066R065 | DRIVE ROLLER KNURLED 24 IN |
| 66 | P1066R066 | TABLE 12 HOLE |
| 67 | P1066R067 | SET SCREW 1/4-20 X 1/2 |
| 68 | P1066R068 | SPROCKET 24T |
| 69 | P1066R069 | RUBBER CONVEYOR BELT |
| 70 | P1066R070 | PRESSURE ROLLER |
| 71 | P1066R071 | SANDING DRUM |
| 73 | P1066R073 | EXT RETAINING RING 19MM |
| 76 | P1066R076 | CLIP |
| 77 | P1066R077 | TENSION WHEEL |
| 78 | P1066R078 | FLAT HD ALLEN SCR 1/4-20 X 1/2 |
| 79 | P1066R079 | PILLOW BLOCK BEARING UCP205 |
| 81 | P1066R081 | BEARING BLOCK |
| 82 | P1066R082 | BEARING BLOCK PLATE, TAPPED |
| 83 | P1066R083 | GREASE FITTING M6-1 X 5 |
| 85 | P1066R085 | FLAT WASHER 3/8 |
| 86 | P1066R086 | LOCK NUT 3/8-16 |
| 87 | P1066R087 | TENSION SPRING |
| 88 | P1066R088 | COMPRESSION SPRING |
| 89 | P1066R089 | HEX BOLT M6-1 X 8 |
| 90 | P1066R090 | FLAT WASHER 3/8 |
| 91 | P1066R091 | HEX BOLT M8-1.25 X 24 |
| 92 | P1066R092 | SANDING ROLL 6" x 50' A60-X CLOTH |
| 93 | P1066R093 | SET SCREW 1/4-20 X 1/2 |
| 94 | P1066R094 | DRUM PULLEY |
| 95 | P1066R095 | KEY 6 X 6 X 30 |
| 97 | P1066R097 | SET SCREW M6-1 X 8 |
| 98 | P1066R098 | V-BELT B67 |
| 99 | P1066R099 | FELT 19 X 24 IN |
| 101 | P1066R101 | STRIKE |
| 102 | P1066R102 | LATCH |
| 105 | P1066R105 | SET SCREW 5/16-24 X 5/8 |
| 106 | P1066R106 | HEX NUT 1/4-20 |
| 107 | P1066R107 | HEX BOLT 1/4-20 X 1/2 |
| 109 | P1066R109 | PHLP HD SCR 10-24 X 5/8 |
| 115 | P1066R115 | SPRING PLATE |
| 116 | P1066R116 | DUST SCOOP DEFLECTOR |
| 117 | P1066R117 | MOTOR CORD 12G 3W 36" |
| 124 | P1066R124 | HEX NUT 10-24 |
| 125 | P1066R125 | FLAT WASHER 1/4 |
| 137 | P1066R137 | PHLP HD SCR 10-24 X 3/8 |



G1066R Parts List (Cont.)

| REF | PART # | DESCRIPTION |
|-----|-----------|----------------------------|
| 139 | P1066R139 | TAP SCREW #8 X 1/2 |
| 140 | P1066R140 | FLAT WASHER #10 |
| 150 | P1066R150 | DEPTH SCALE |
| 151 | P1066R151 | SCALE POINTER |
| 152 | P1066R152 | FLAT WASHER 1/4 |
| 153 | P1066R153 | PHLP HD SCR 1/4-20 X 3/8 |
| 154 | P1066R154 | FEED MOTOR CORD 18G 3W 36" |
| 155 | P1066R155 | EXT TOOTH WASHER #10 |
| 156 | P1066R156 | LOCK WASHER #10 |
| 200 | P1066R200 | ID/WARNING LABEL |

| REF | PART # | DESCRIPTION |
|-----|-----------|---------------------------|
| 201 | P1066R201 | SAFETY GLASSES LABEL |
| 202 | P1066R202 | UNPLUG LABEL |
| 203 | P1066R203 | ELECTRICITY LABEL |
| 204 | P1066R204 | FEED ONE PIECE LABEL |
| 205 | P1066R205 | DON'T STAND BEHIND LABEL |
| 206 | P1066R206 | READ MANUAL LABEL |
| 207 | P1066R207 | GRIZZLY NAMEPLATE |
| 208 | P1066R208 | STRAIN RELIEF TYPE-3 PG20 |
| 209 | P1066R209 | TAP SCREW #8 X 5/8 |

