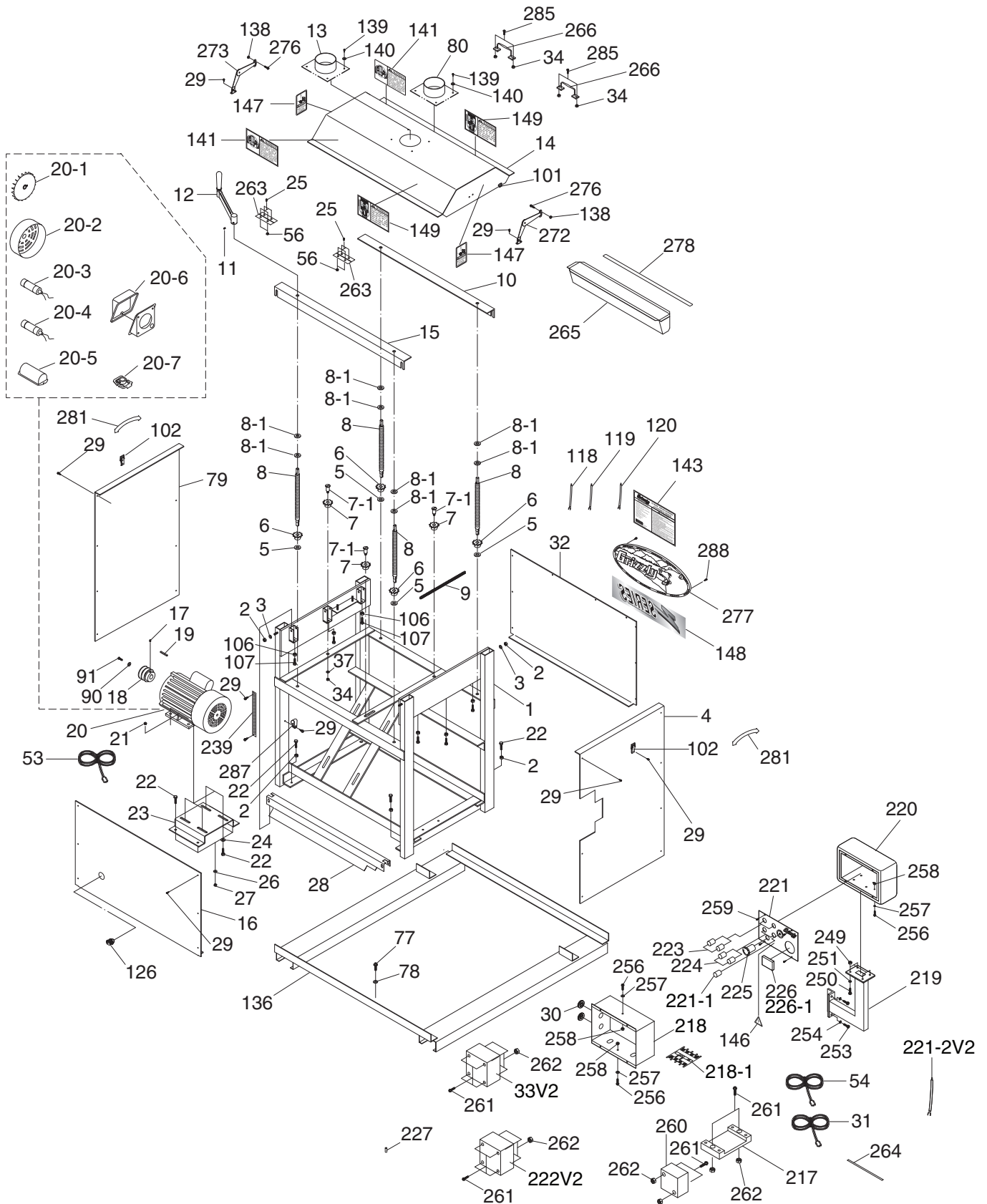
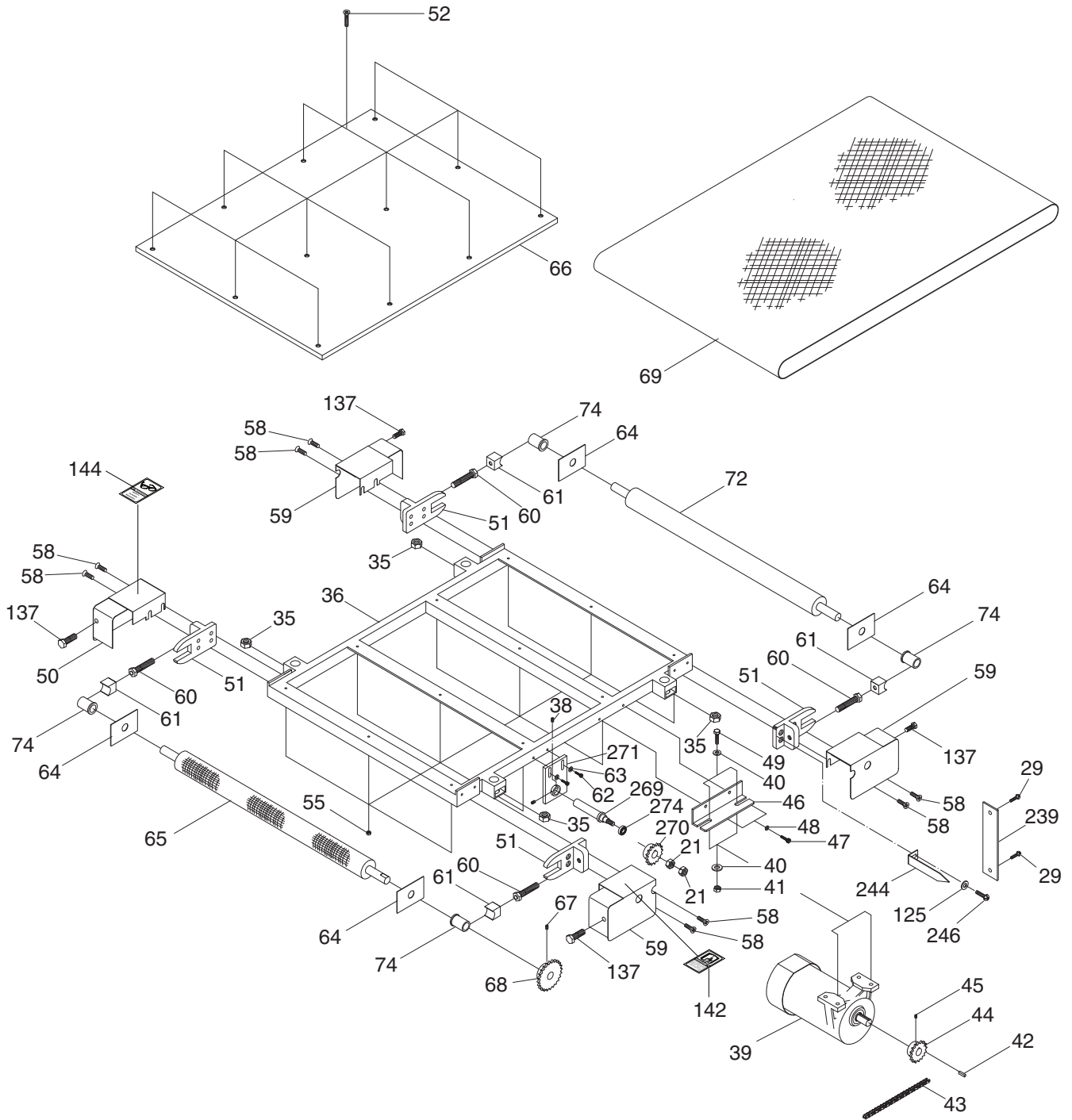


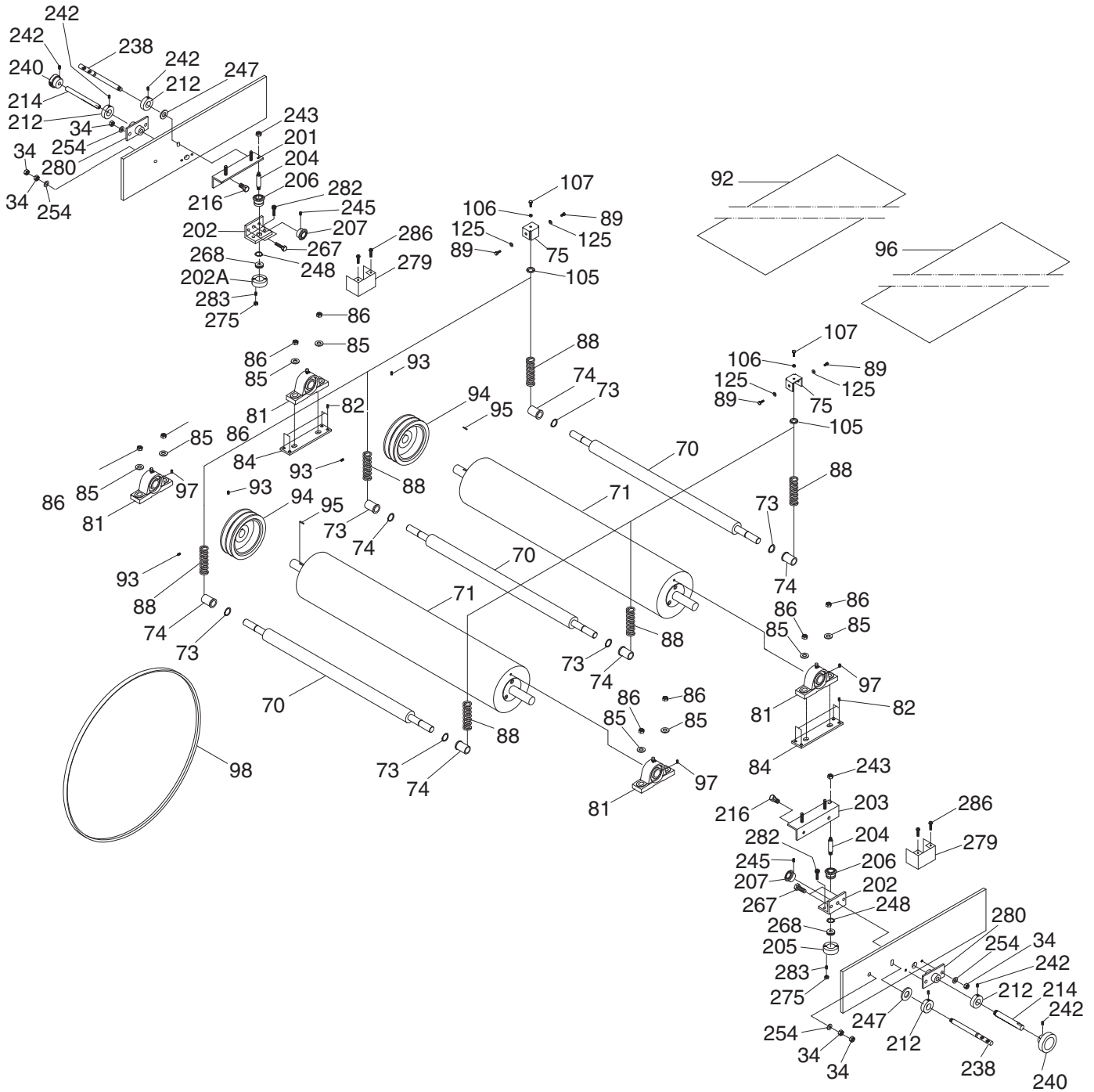
G1066Z Stand & Table Elevation



G1066Z Conveyor Belt & Table



G1066Z Drum & Roller Mechanism



G1066Z Parts List

REF	PART #	DESCRIPTION
1	P1066Z001	FRAME
2	P1066Z002	HEX NUT 3/8-16
3	P1066Z003	FLAT WASHER 3/8
4	P1066Z004	SIDE PANEL
5	P1066Z005	FLAT WASHER 1/2
6	P1066Z006	SPROCKET
7	P1066Z007	SPROCKET
7-1	P1066Z007-1	SHAFT
8	P1066Z008	TABLE SCREW FINE THREADS 3/4-16
8-1	P1066Z008-1	TABLE SCREW SHIM 1/2 X 27 X 1
9	P1066Z009	CHAIN
10	P1066Z010	FRONT BRACE
11	P1066Z011	SET SCREW 5/16-24 X 3/8
12	P1066Z012	COMPLETE CRANK HANDLE ASSY
13	P1066Z013	DUST HOOD
14	P1066Z014	HOOD
15	P1066Z015	REAR BRACE
16	P1066Z016	REAR PANEL
17	P1066Z017	SET SCREW 1/4-20 X 1/2
18	P1066Z018	MOTOR PULLEY
19	P1066Z019	KEY 5 X 5 X 25
20	P1066Z020	DRUM MOTOR 5HP 220V 1-PH
20-1	P1066Z020-1	MOTOR FAN
20-2	P1066Z020-2	MOTOR FAN COVER
20-3	P1066Z020-3	S CAPACITOR 600M 125V 1-3/4 X 3-3/8
20-4	P1066Z020-4	R CAPACITOR 50M 350V 1-3/4 X 3-3/8
20-5	P1066Z020-5	CAPACITOR COVER
20-6	P1066Z020-6	JUNCTION BOX
20-7	P1066Z020-7	CENTRIFUGAL SWITCH
21	P1066Z021	HEX NUT 3/8-16
22	P1066Z022	HEX BOLT 3/8-16 X 1
23	P1066Z023	BRACKET
24	P1066Z024	FLAT WASHER 3/8
25	P1066Z025	PHLP HD SCR M4-.7 X 10
26	P1066Z026	FLAT WASHER 3/8
27	P1066Z027	HEX NUT 3/8-16
28	P1066Z028	DUST DEFLECTOR
29	P1066Z029	TAP SCREW #8 X 3/8
30	P1066Z030	GROMMET 29 X 25MM
31	P1066Z031	POWER CORD 12G 3W 86"
32	P1066Z032	FRONT PANEL
33V2	P1066Z033V2	CONTACTOR SDE MA-30 240V V2.05.16
34	P1066Z034	HEX NUT 5/16-18
35	P1066Z035	HEX NUT 3/4-16 1-1/4" DIA
36	P1066Z036	TABLE FRAME
37	P1066Z037	FLAT WASHER 5/16
38	P1066Z038	SET SCREW 3/8-16 X 1/4
39	P1066Z039	FEED BELT MOTOR 1/3HP 60V 1-PH
40	P1066Z040	FLAT WASHER 5/16
41	P1066Z041	HEX NUT 5/16-18
42	P1066Z042	KEY 5 X 5 X 20
43	P1066Z043	CHAIN
44	P1066Z044	SPROCKET

REF	PART #	DESCRIPTION
45	P1066Z045	SET SCREW 1/4-20 X 1/4
46	P1066Z046	MOTOR BRACKET
47	P1066Z047	CAP SCREW 1/4-20 X 3/4
48	P1066Z048	FLAT WASHER 1/4
49	P1066Z049	HEX BOLT 5/16-18 X 1-1/4
50	P1066Z050	GUARD HINGED LEFT
51	P1066Z051	ROLLER BRACKET
52	P1066Z052	FLAT HD SCR 1/4-20 X 1
53	P1066Z053	POWER CORD 12G 3W 36"
54	P1066Z054	POWER CORD 12G 3W 36"
55	P1066Z055	LOCK NUT 1/4-20
56	P1066Z056	LOCK NUT M4-.7
58	P1066Z058	CAP SCREW 1/4-20 X 3/4
59	P1066Z059	GUARD RIGHT
60	P1066Z060	ROLLER BRACKET BOLT 1/2-13 X 70
61	P1066Z061	BUSHING SUPPORT
62	P1066Z062	HEX BOLT 1/4-20 X 1/4
63	P1066Z063	FLAT WASHER 1/4
64	P1066Z064	PLATE
65	P1066Z065	DRIVE ROLLER KNURLED 24 IN
66	P1066Z066	TABLE 12 HOLE
67	P1066Z067	SET SCREW 5/16-18 X 1/2
68	P1066Z068	SPROCKET
69	P1066Z069	RUBBER CONVEYOR BELT
70	P1066Z070	PRESSURE ROLLER
71	P1066Z071	SANDING DRUM
72	P1066Z072	IDLE ROLLER SMOOTH 24 IN
73	P1066Z073	EXT RETAINING RING 19MM
74	P1066Z074	BUSHING
75	P1066Z075	BRACKET
77	P1066Z077	FLAT WASHER 1/4
78	P1066Z078	TAP SCREW 1/4 X 1-1/2
79	P1066Z079	SIDE PANEL
80	P1066Z080	DUST HOOD
81	P1066Z081	BEARING BLOCK SET
82	P1066Z082	SET SCREW 5/16-24 X 1/2
84	P1066Z084	BEARING BLOCK PLATE, TAPPED
85	P1066Z085	FLAT WASHER 3/8
86	P1066Z086	LOCK NUT 3/8-16
88	P1066Z088	COMPRESSION SPRING
89	P1066Z089	HEX BOLT 1/4-20 X 3/8
90	P1066Z090	FLAT WASHER 3/8
91	P1066Z091	HEX BOLT M8-1.25 X 24
92	P1066Z092	SANDING ROLL 3" x 50' A60 H&L
93	P1066Z093	SET SCREW 3/8-16 X 1/2
94	P1066Z094	DRUM PULLEY
95	P1066Z095	KEY 1/4 X 1/4 X 1-1/4
96	P1066Z096	SANDING ROLL 3" x 50' A100 H&L
97	P1066Z097	SET SCREW M6-1 X 6
98	P1066Z098	V-BELT B67
101	P1066Z101	STRIKE
102	P1066Z102	LATCH
105	P1066Z105	SPRING PLATE



G1066Z Parts List (Cont.)

REF	PART #	DESCRIPTION
106	P1066Z106	HEX NUT 1/4-20
107	P1066Z107	HEX BOLT 1/4-20 X 5/8
118	P1066Z118	LINE CORD
119	P1066Z119	LINE CORD
120	P1066Z120	EARTH LEAD GREEN
125	P1066Z125	FLAT WASHER 1/4
126	P1066Z126	STRAIN RELIEF TYPE-3 PG20
136	P1066Z136	BASE STEEL CRATE
137	P1066Z137	PHLP HD SCR 10-24 X 3/8
138	P1066Z138	HEX NUT M4-.7
139	P1066Z139	TAP SCREW #8 X 1/2
140	P1066Z140	FLAT WASHER #10
141	P1066Z141	SANDER BELT PINCH LABEL
142	P1066Z142	READ MANUAL LABEL
143	P1066Z143	ID/WARNING LABEL
144	P1066Z144	SAFETY GLASSES LABEL
145	P1066Z145	DISCONNECT SANDER LABEL
146	P1066Z146	ELECTRICITY LABEL
147	P1066Z147	SANDER BELT PINCH LABEL
148	P1066Z148	Z SERIES LABEL
149	P1066Z149	FEED ONLY ONE LABEL
201	P1066Z201	BEARING SEAT LEFT
202	P1066Z202	MOUNTING BRACKET
203	P1066Z203	BEARING SEAT RIGHT
204	P1066Z204	MICRO ADJUST SCREW
205	P1066Z205	THRUST BEARING SEAT
206	P1066Z206	BEVEL GEAR A
207	P1066Z207	BEVEL GEAR B
212	P1066Z212	LOCK COLLAR
214	P1066Z214	DRIVE SHAFT
216	P1066Z216	RIGHT BEARING SEAT BOLT 5/16-18 X 1/2
217	P1066Z217	WIRING PANEL
218	P1066Z218	MAG SWITCH BOX
218-1	P1066Z218-1	TERMINAL BLOCK
219	P1066Z219	PEDESTAL ARM
220	P1066Z220	CONTROL BOX
221	P1066Z221	CONTROL PANEL
221-1	P1066Z221-1	FEED RATE SWITCH
221-2V2	P1066Z221-2V2	COMP CONTROL WIRE HARNESS V2.10.08
222V2	P1066Z222V2	CONTACTOR SDE MA-09 240V V2.06.13
223	P1066Z223	ON SWITCH NHD CB-10
224	P1066Z224	OFF SWITCH NHD CB-01
225	P1066Z225	E-STOP BUTTON NHD CB-01
226	P1066Z226	LOAD/AMP METER
226-1	P1066Z226-1	LOAD/AMP METER COVER
227	P1066Z227	CABLE MARKER
238	P1066Z238	LOCK HANDLE

REF	PART #	DESCRIPTION
239	P1066Z239	SCALE
240	P1066Z240	CONTROL KNOB
242	P1066Z242	SET SCREW 1/4-20 X 5/16
243	P1066Z243	LOCK NUT 1/4-20
244	P1066Z244	POINTER
245	P1066Z245	SET SCREW 10-24 X 1/4
246	P1066Z246	PHLP HD SCR 1/4-20 X 3/8
247	P1066Z247	FLAT WASHER 5/16
248	P1066Z248	EXT RETAINING RING 20MM
249	P1066Z249	HEX NUT 1/4-20
250	P1066Z250	HEX BOLT 1/4-20 X 3/4
251	P1066Z251	FLAT WASHER 1/4
253	P1066Z253	HEX BOLT 5/16-18 X 1
254	P1066Z254	FLAT WASHER 5/16
256	P1066Z256	PHLP HD SCR 10-24 X 1/2
257	P1066Z257	FLAT WASHER #10
258	P1066Z258	HEX NUT 10-24
259	P1066Z259	TAP SCREW #10 X 3/8
260	P1066Z260	VARIABLE SPEED CIRCUIT BOARD
261	P1066Z261	PHLP HD SCR 10-24 X 5/8
262	P1066Z262	HEX NUT 10-24
263	P1066Z263	HINGE
264	P1066Z264	NYLON CABLE TIES
265	P1066Z265	AIR DUST SCOOP
266	P1066Z266	HANDLE
267	P1066Z267	CAP SCREW 5/16-18 X 1-1/4
268	P1066Z268	THRUST BEARING 51101
269	P1066Z269	SPROCKET SHAFT
270	P1066Z271	SPROCKET
271	P1066Z271	ADJUSTMENT PLATE
272	P1066Z272	SUPPORT ARM LEFT
273	P1066Z273	SUPPORT ARM RIGHT
274	P1066Z274	BALL BEARING 6201-2RS
275	P1066Z275	HEX NUT 10-24
276	P1066Z276	PHLP HD SCR M4-.7 X 6
277	P1066Z277	NAMEPLATE
278	P1066Z278	SELF ADHESIVE FOAM 660 X 15 X 2MM
279	P1066Z279	DUST COVER
280	P1066Z280	DRIVE SHAFT BRACKET
281	P1066Z281	DIRECTION LABEL
282	P1066Z282	CAP SCREW 1/4-20 X 5/8
283	P1066Z283	SET SCREW 10-24 X 1/2
285	P1066Z285	CAP SCREW 5/16-18 X 3/4
286	P1066Z286	TAP SCREW #10 X 3/8
287	P1066Z287	CORD RETAINER CLIP
288	P1066Z288	TAP SCREW #8 X 5/8

