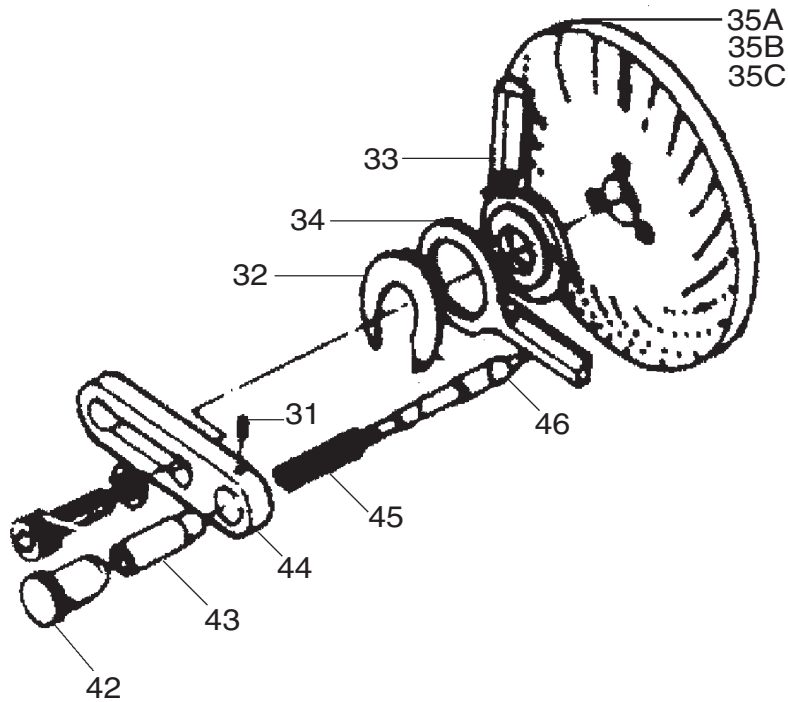


G1760 Dividing Plate Parts



REF	PART #	DESCRIPTION
31	PSS02M	SET SCREW M6-1.0 X 6
32	P1760032	SECTOR SPRING
33	P1760033	SECTOR ARM
34	P1760034	SECTOR ARM
35A	P1760035-A	INDEX PLATE A 15-20 HOLE
35B	P1760035-B	INDEX PLATE B 21-33 HOLE
35C	P1760035-C	INDEX PLATE C 37-49 HOLE
42	P1760042	HANDLE
43	P1760043	SLEEVE
44	P1760044	CRANK
45	P1760045	SPRING
46	P1760046	LOCK INDEX PIN