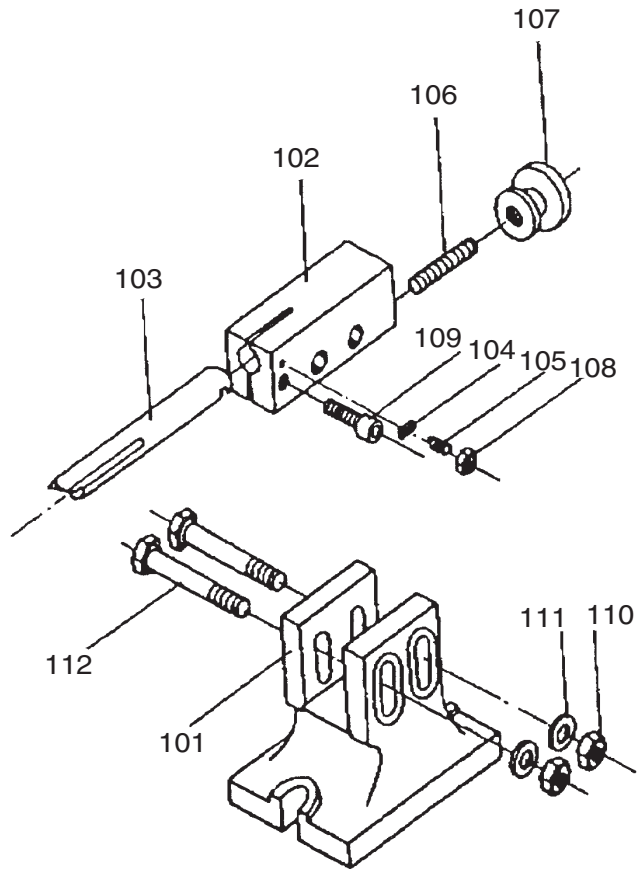


G1763 Tailstock Parts



REF	PART #	DESCRIPTION
101	P1763101	TAILSTOCK BASE
102	P1763102	CENTER BASE
103	P1763103	TAIL CENTER
104	PSS05M	SET SCREW M5-8 X 10
105	PSS11M	SET SCREW M6-1. X 16
106	P1763106	SET SCREW M12-1.75 X 45
107	P1763107	ADJUSTMENT NUT
108	PN02M	HEX NUT M10-1.5
109	PSB84M	CAP SCREW M10-1.5 X 35
110	PN02M	HEX NUT M10-1.5
111	PW04M	FLAT WASHER 10MM
112	PSB91M	HEX BOLT M10-1.5 X 75