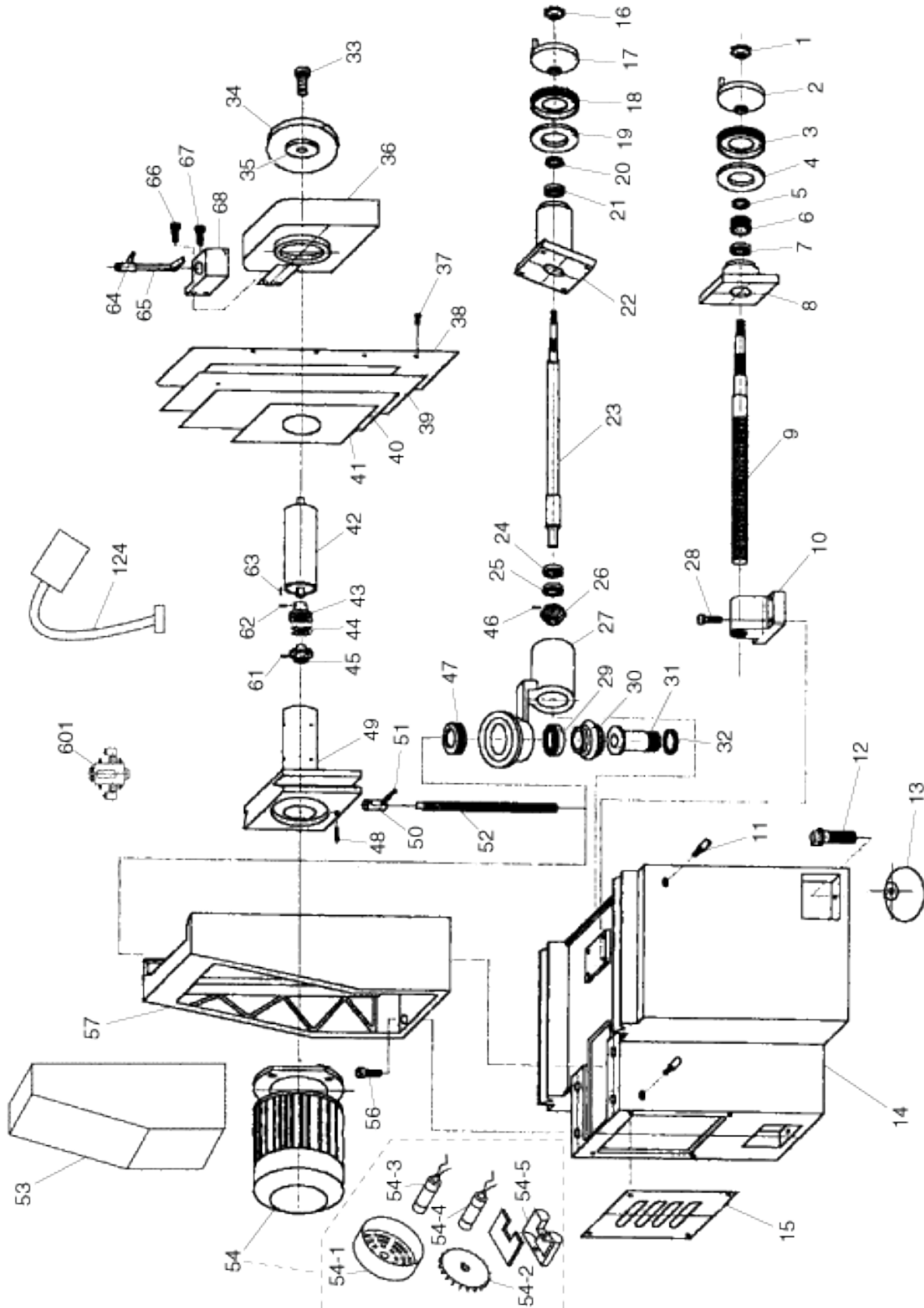


# Model G3104 Parts

## Base Machine



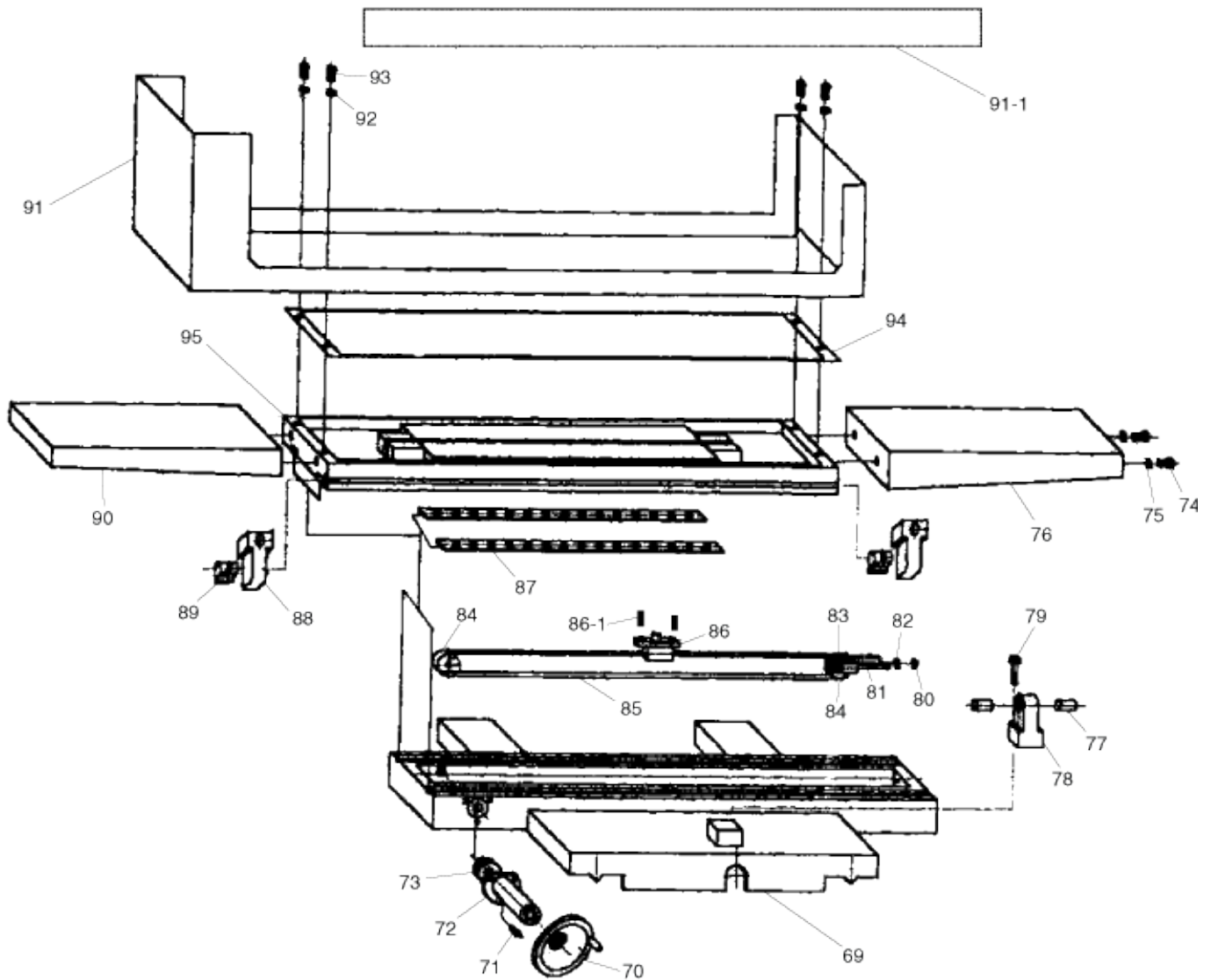
# Base Machine Parts List

REF	PART #	DESCRIPTION
1	P3104016	STAR KNOB M10-1.5 X 40
2	P3104002	HANDWHEEL W/HANDLE, ALUMINUM V2.01.14
3	P3104003	GRADUATED DIAL
4	P3104004	INDICATOR RING
5	PN15M	HEX NUT M18-1.5
6	P3104006	SPANNER NUT M40-1.5
7	P6103ZZ	BALL BEARING 6103ZZ
8	P3104008	BEARING HOUSING
9	P3104009	CROSS LEADSCREW
10	P3104010	CROSS SCREW NUT 27-601/1
11	P3104011	LIFTING NUT M30-2.5
12	P3104012	FLOOR SCREW M20-2.5
13	P3104013	IRON PAD
14	P3104014	BED
15	P3104015	REAR COVER
16	P3104016	STAR KNOB M10-1.5 X 40
17	P3104017	HANDWHEEL
18	P3104018	GRADUATED DIAL
19	P3104019	INDICATOR RING
20	PN05M	HEX NUT M16-1.5
21	P6201ZZ	BALL BEARING 6201ZZ
22	P3104022	BEARING HOUSING
23	P3104023	SHAFT
24	P6201ZZ	BALL BEARING 6201ZZ
25	P6201ZZ	BALL BEARING 6201ZZ
26	P3104026	BEVEL GEAR
27	P3104027	GEAR HOUSING
28	PB26M	HEX BOLT M8-1.25 X 30
29	P8108	THRUST BEARING 8108
30	P3104030	BEVEL GEAR
31	P3155031	VERTICAL LEADSCREW NUT
32	P3104032	SPANNER NUT M39-1.5
33	P3104033	GRINDING WHEEL BOLT
34	P3104034	GRINDING WHEEL
35	P3104035	GRINDING WHEEL HUB ASSY
36	P3104036	GRINDING WHEEL GUARD

REF	PART #	DESCRIPTION
37	PCAP04M	CAP SCREW M6-1 X 10
38	P3104038	CHIP GUARD PLATE
39	P3104039	LARGE CHIP GUARD
40	P3104040	MEDIUM CHIP GUARD
41	P3104041	SMALL CHIP GUARD
42	P3104042	SPINDLE
43	P3104043	CLUTCH
44	P3104044	CROSS PAD
45	P3104045	CLUTCH
46	PRP08M	ROLL PIN 6 X 30
47	P6008ZZ	BALL BEARING 6008ZZ
48	PRP32M	ROLL PIN 6 X 40
49	P3104049	SPINDLE HOUSING
50	P3104050	LEADSCREW SLEEVE
51	PRP05M	ROLL PIN 5 X 30
52	P3104052	VERTICAL LEADSCREW
53	P3104153	REAR GUARD
54	P3104054	MOTOR 1-1/2HP 110/220V 1PH
54-1	P3104054-1	MOTOR FAN COVER
54-2	P3104054-2	MOTOR FAN
54-3	P3104054-3	S CAPACITOR 200M 250V 2 X 3-3/4
54-4	P3104054-4	R CAPACITOR 30M 450V 2 X 4
54-5	P3104054-5	MOTOR WIRING JUNCTION BOX
56	PCAP13M	CAP SCREW M8-1.25 X 30
57	P3104057	COLUMN
61	PSS01M	SET SCREW M6-1 X 10
62	PSS04M	SET SCREW M6-1 X 12
63	PK07M	KEY 6 X 6 X 20
64	P3104064	COOLANT VALVE
65	P3104065	COOLANT NOZZLE
66	PCAP02M	CAP SCREW M6-1 X 20
67	PCAP02M	CAP SCREW M6-1 X 20
68	P3104068	COOLANT NOZZLE SUPPORT
124	P3104124	WORK LAMP ASSY
601	P3104601	ONE-SHOT OILER



# Table & Cross Slide

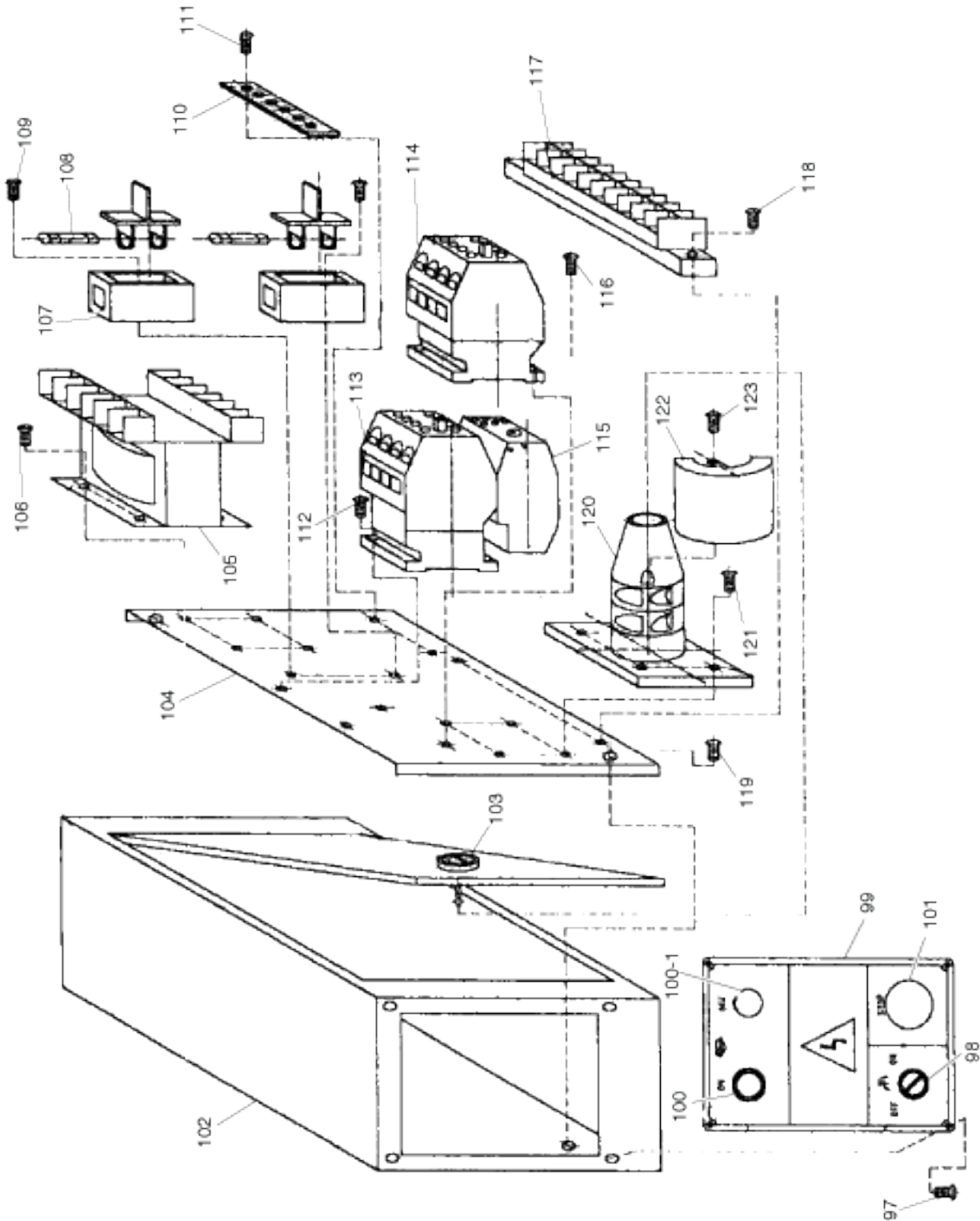


REF	PART #	DESCRIPTION
69	P3104069	CROSS SLIDE
70	P3104070	HANDWHEEL
71	PK07M	KEY 6 X 6 X 20
72	P3104072	HANDWHEEL SUPPORT
73	P3104073	BUSHING
74	PCAP142M	CAP SCREW M10-1.5 X 10
75	PLW06M	LOCK WASHER 10MM
76	P3104076	RIGHT EXTENSION WING
77	P3104077	TRIP DOG
78	P3104078	LIMIT BLOCK
79	PB07M	HEX BOLT M8-1.25 X 25
80	PN05M	HEX NUT M16-1.5
81	P3104081	THREADED STUD M10-1.5 X 80
82	PN02M	HEX NUT M10-1.5
83	P3104083	PULLEY SUPPORT

REF	PART #	DESCRIPTION
84	P3104084	PULLEY
85	P3104085	TIMING BELT 4 X 114 X 25
86	P3104086	BELT CLAMP
86-1	PCAP02M	CAP SCREW M6-1 X 20
87	P3104087	TABLE BALL BEARING ASSY
88	P3104088	LIMIT STOP
89	P3104089	T-NUT
90	P3104090	LEFT EXTENSION WING
91	P3104091	SPLASH PAN
91-1	P3104091-1	SPLASH PAN SIDE GUARD
92	PLW03M	LOCK WASHER 6MM
93	PCAP26M	CAP SCREW M6-1 X 12
94	P3104094	RUBBER GASKET
95	P3104095	TABLE



# Electrical Cabinet



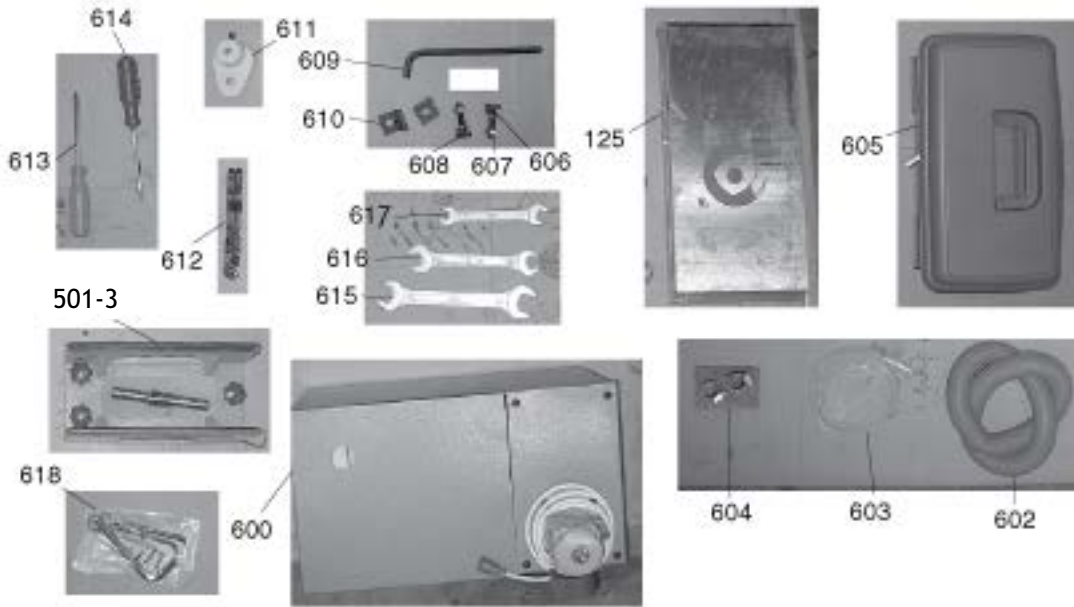
# Electrical Cabinet Parts List

REF	PART #	DESCRIPTION
97	PS05M	PHLP HD SCR M5-.8 X 8
98	P3104098	COOLANT PUMP SWITCH
99	P3104099	ELECTRICAL PANEL
100	P3104100	SPINDLE MOTOR ON SWITCH
100-1	P3104100-1	SPINDLE MOTOR OFF SWITCH
101	P3104101	EMERGENCY STOP BUTTON
102	P3104102	ELECTRICAL CABINET
103	P3104103	MAIN POWER SWITCH COVER
104	P3104104	MOUNTING PLATE
105	P3104105	TRANSFORMER TENGGEN JBK3-100VA
106	PCAP50M	CAP SCREW M5-.8 X 10
107	P3104107	FUSE HOLDER ASSY
108	P3104108	FUSE 2A
109	PCAP50M	CAP SCREW M5-.8 X 10

REF	PART #	DESCRIPTION
110	P3104110	GROUNDING STRAP
111	PCAP50M	CAP SCREW M5-.8 X 10
112	PCAP33M	CAP SCREW M5-.8 X 12
113	P3104113	CONTACTOR SIEMENS 3BT40 220V
114	P3104114	CONTACTOR SIEMENS 3BT43 220V
115	P3104115	OL RELAY SIEMENS 3UA52 16-25A
116	PCAP50M	CAP SCREW M5-.8 X 10
117	P3104117	TERMINAL BLOCK 10-POST
118	PCAP24M	CAP SCREW M5-.8 X 16
119	PCAP50M	CAP SCREW M5-.8 X 10
120	P3104120	MAIN POWER SWITCH
121	PCAP04M	CAP SCREW M6-1 X 10
122	P3104122	POWER SWITCH COVER
123	PCAP01M	CAP SCREW M6-1 X 16



# Accessories



REF	PART #	DESCRIPTION
125	P3104125	MAGNETIC CHUCK ASSY
501-3	P3104501-3	WHEEL BALANCING ARBOR 5:1 TPR
600	P3104600	COOLANT PUMP/RESERVOIR ASSY
602	P3104602	COOLANT RETURN HOSE
603	P3104603	COOLANT FEED HOSE
604	P3104604	HOSE CLAMP 1"
605	P3104605	TOOL BOX
606	PW01	FLAT WASHER 1/2
607	PN06	HEX NUT 1/2-13
608	P3104608	T-BOLT 1/2-13 X 2

REF	PART #	DESCRIPTION
609	P3104609	MAGNETIC CHUCK HEX WRENCH
610	P3104610	CLAMP
611	P3104611	DRESSER HOLDER
612	P3104612	SPANNER WRENCH
613	PSDF2	SCREWDRIVER PHILLIPS #2
614	PSDF2	SCREWDRIVER FLAT #2
615	PWR2224	WRENCH 22/24MM
616	PWR1719	WRENCH 17/19MM
617	PWR1214	WRENCH 12/14MM
618	PAW1510M	HEX WRENCH SET 1.5-10MM



# Labels



REF	PART #	DESCRIPTION
701	P3104701	MACHINE ID LABEL
702	PLABEL-50B	COOLANT HAZARD LABEL HL
703	PLABEL-12A	READ MANUAL LABEL VL
704	P3104704	KICKOUT HAZARD LABEL HL
705	PLABEL-56	EYE/FACE/LUNG LABEL VL

REF	PART #	DESCRIPTION
706	PLABEL-62	DISCONNECT WARNING LABEL VL
707	P3104707	MODEL NUMBER LABEL
708	PPAINT-11	GRIZZLY PUTTY TOUCH UP PAINT
709	PPAINT-1	GRIZZLY GREEN TOUCH UP PAINT

