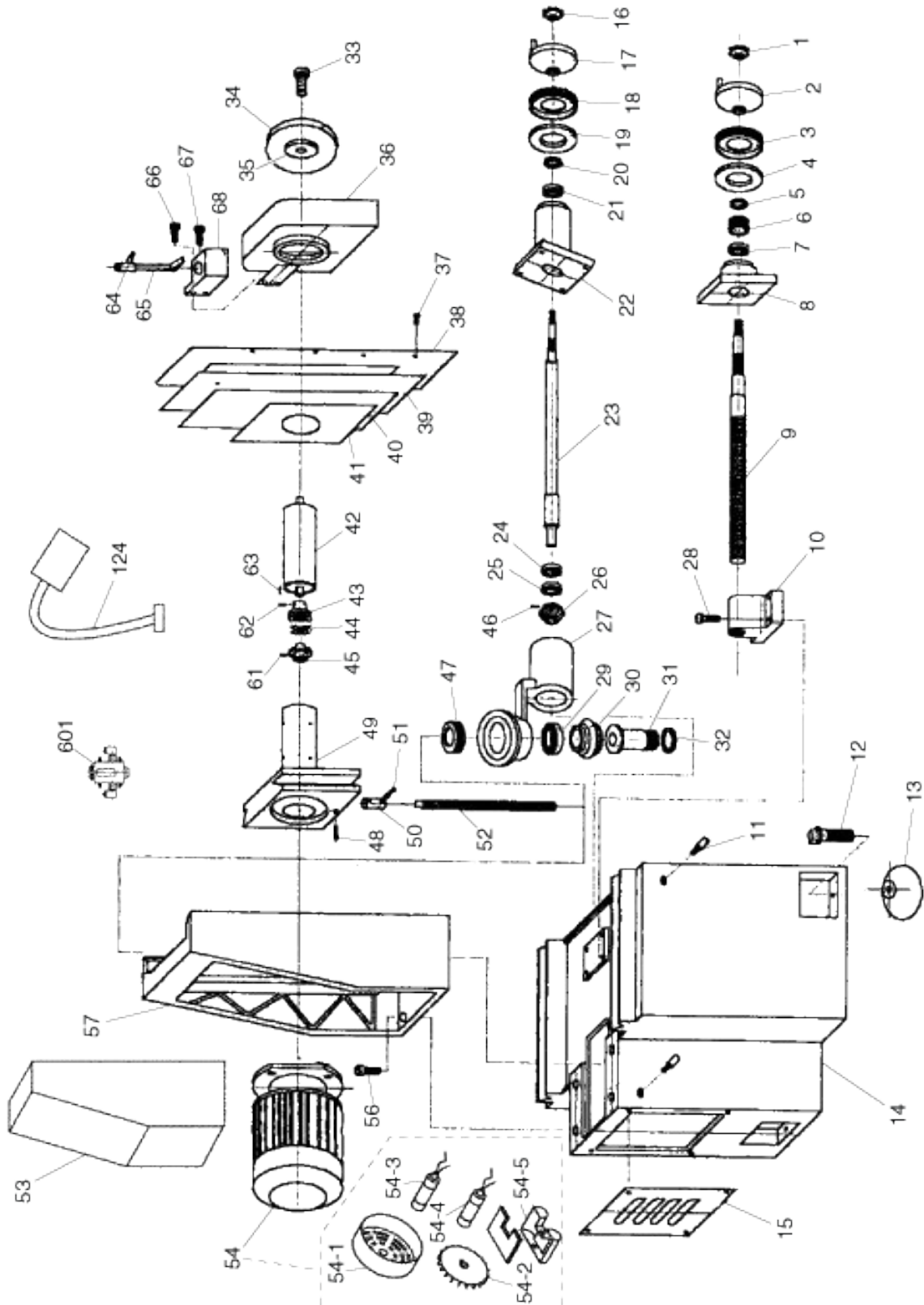


Model G3155 Parts

Base Machine



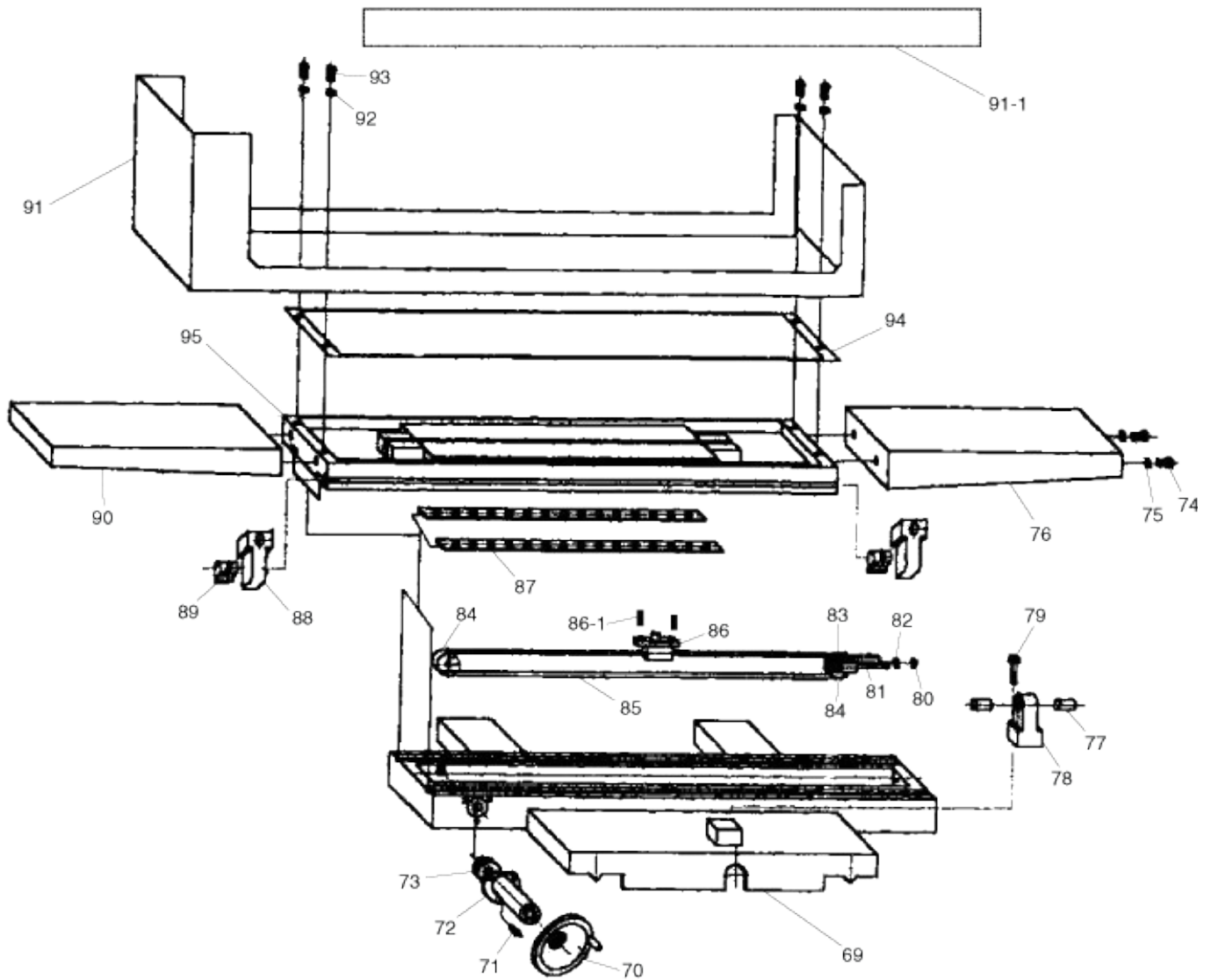
Base Machine Parts List

REF	PART #	DESCRIPTION
1	P3155001	STAR KNOB M10-1.5 X 40
2	P3155002	HANDWHEEL
3	P3155003	GRADUATED DIAL
4	P3155004	DIAL RING
5	P3155005	HEX NUT M18-1.5
6	P3155006	SPANNER NUT M40-1.5
7	P3155007	BALL BEARING 6201ZZ
8	P3155008	BEARING HOUSING
9	P3155009	LEAD SCREW
10	P3155010	CROSS LEADSCREW NUT
11	P3155011	LIFTING BOLT
12	P3155012	FLOOR BOLT
13	P3155013	IRON PAD
14	P3155014	CHIP PAN
15	P3155015	REAR COVER
16	P3155016	STAR KNOB M10-1.5 X 40
17	P3155017	HANDWHEEL
18	P3155018	GRADUATED DIAL
19	P3155019	INDICATE RING
20	P3155020	HEX NUT M16-1.5
21	P3155021	BALL BEARING 6103ZZ
22	P3155022	BEARING HOUSING
23	P3155023	SHAFT
24	P3155024	BALL BEARING 6201ZZ
25	P3155025	BALL BEARING 6201ZZ
26	P3155026	BEVEL GEAR
27	P3155027	GEAR HOUSING
28	P3155028	HEX BOLT M8-1.25 X 30
29	P3155029	THRUST BEARING 8108
30	P3155030	BEVEL GEAR
31	P3155031	VERTICAL LEADSCREW NUT
32	P3155032	SPANNER NUT M39-1.5
33	P3155033	GRINDING WHEEL BOLT
34	P3155034	GRINDING WHEEL
35	P3155035	GRINDING WHEEL HUB ASSY
36	P3155036	GRINDING WHEEL GUARD

REF	PART #	DESCRIPTION
37	P3155037	CAP SCREW M6-1 X 10
38	P3155038	CHIP GUARD PLATE
39	P3155039	LARGE CHIP GUARD
40	P3155040	MEDIUM CHIP GUARD
41	P3155041	SMALL CHIP GUARD
42	P3155042	SPINDLE
43	P3155043	CLUTCH
44	P3155044	CROSS PAD
45	P3155045	CLUTCH
46	P3155046	ROLL PIN 6 X 30
47	P3155047	BALL BEARING 6008ZZ
48	P3155048	ROLL PIN 6 X 40
49	P3155049	SPINDLE HOUSING
50	P3155050	LEADSCREW SLEEVE
51	P3155051	ROLL PIN 5 X 30
52	P3155052	VERTICAL LEADSCREW
53	P3155053	REAR GUARD
54	P3155054	MOTOR 2HP 110/220V 3PH
54-1	P3155054-1	MOTOR FAN COVER
54-2	P3155054-2	MOTOR FAN
54-3	P3155054-3	S CAPACITOR 200M 250V 2 X 3-3/4
54-4	P3155054-4	R CAPACITOR 45M 450V 2 X 4
54-5	P3155054-5	MOTOR WIRING JUNCTION BOX
56	P3155056	CAP SCREW M8-1.25 X 30
57	P3155057	COLUMN
61	P3155061	SET SCREW M6-1 X 10
62	P3155062	SET SCREW M6-1 X 12
63	P3155063	KEY 6 X 6 X 20
64	P3155064	COOLANT VALVE
65	P3155065	COOLANT NOZZLE
66	P3155066	CAP SCREW M6-1 X 20
67	P3155067	CAP SCREW M6-1 X 20
68	P3155068	COOLANT NOZZLE SUPPORT
124	P3155124	WORK LAMP ASSY
601	P3155601	ONE-SHOT OILER



Table & Cross Slide

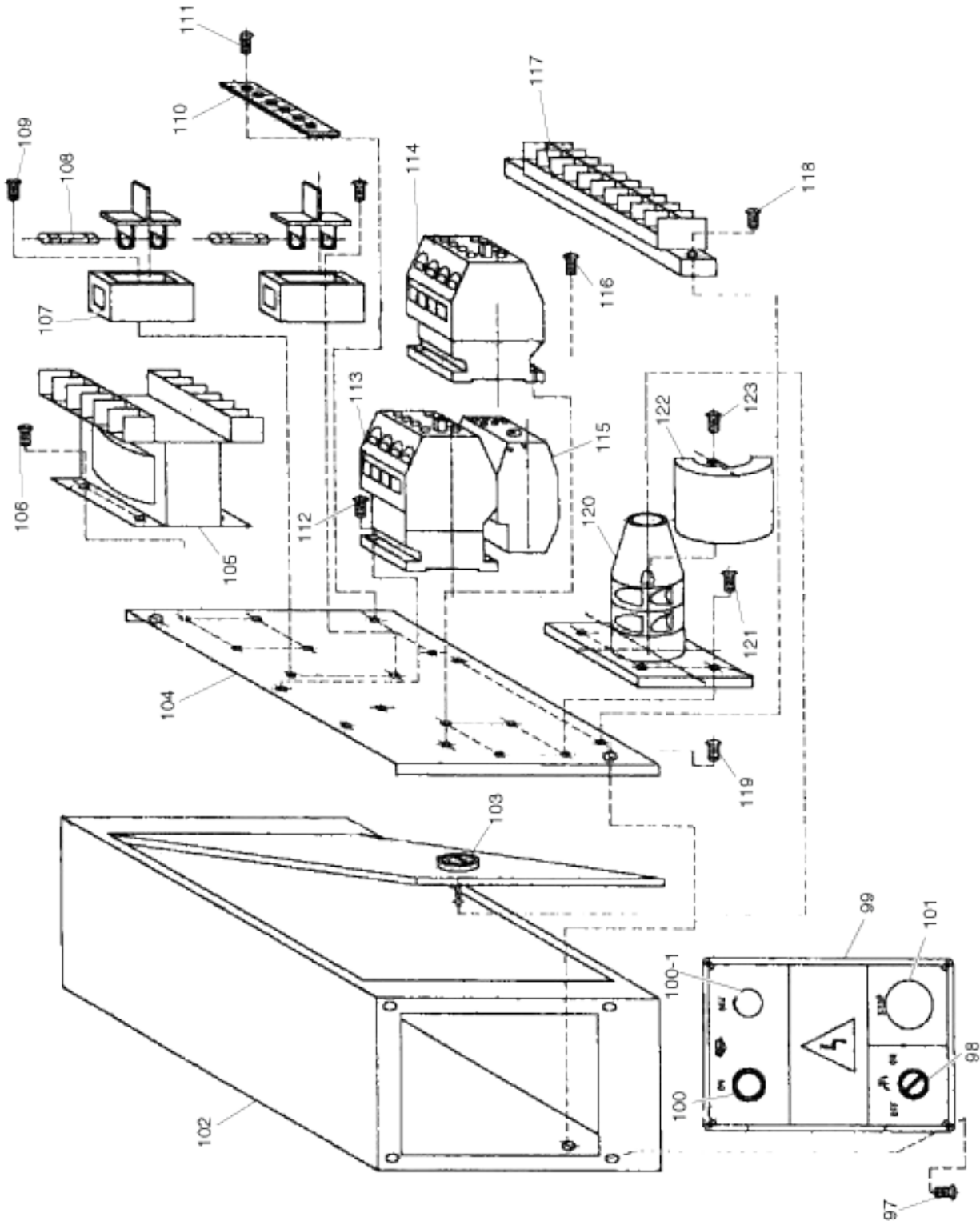


REF	PART #	DESCRIPTION
69	P3155069	CROSS SLIDE
70	P3155070	HANDWHEEL
71	P3155071	KEY 6 X 6 X 20
72	P3155072	HANDLE WHEEL SUPPORT
73	P3155073	BUSHING
74	P3155074	CAP SCREW M10-1.5 X 10
75	P3155075	LOCK WASHER 10MM
76	P3155076	RIGHT EXTENSION WING
77	P3155077	TRIP DOG
78	P3155078	LIMIT BLOCK
79	P3155079	HEX BOLT M8-1.25 X 25
80	P3155080	HEX NUT M10-1.25
81	P3155081	THREADED STUD M10-1.5 X 80
82	P3155082	HEX NUT M10-1.5
83	P3155083	PULLEY SUPPORT

REF	PART #	DESCRIPTION
84	P3155084	PULLEY
85	P3155085	TIMING BELT 4 X 120 X 25
86	P3155086	BELT CLAMP
86-1	P3155086-1	CAP SCREW M6-1 X 20
87	P3155087	TABLE BALL BEARING ASSY
88	P3155088	LIMIT STOP
89	P3155089	T-NUT
90	P3155090	LEFT EXTENSION WING
91	P3155091	SPLASH PAN
91-1	P3155091-1	SPLASH PAN SIDE GUARD
92	P3155092	LOCK WASHER 6MM
93	P3155093	CAP SCREW M6-1 X 12
94	P3155094	RUBBER GASKET
95	P3155095	TABLE



Electrical Cabinet



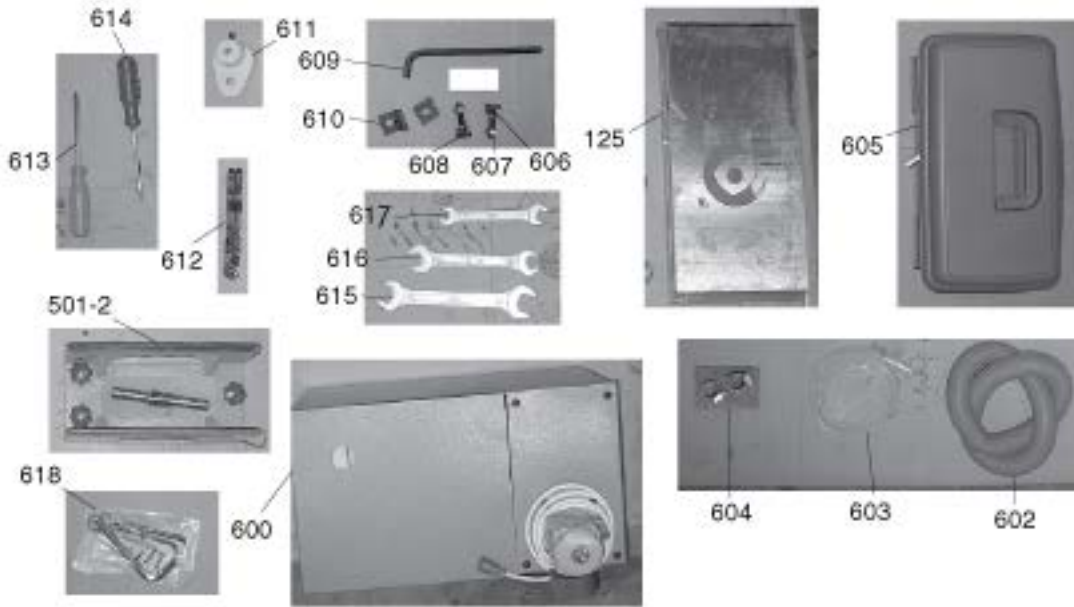
Electrical Cabinet Parts List

REF	PART #	DESCRIPTION
97	P3155097	PHLP HD SCR M5-.8 X 8
98	P3155098	COOLANT PUMP SWITCH
99	P3155099	ELECTRICAL PANEL
100	P3155100	SPINDLE MOTOR ON SWITCH
100-1	P3155100-1	SPINDLE MOTOR OFF SWITCH
101	P3155101	EMERGENCY STOP BUTTON
102	P3155102	ELECTRICAL CABINET
103	P3155103	MAIN POWER SWITCH COVER
104	P3155104	MOUNTING PLATE
105	P3155105	TRANSFORMER TENGGEN JBK3-100VA
106	P3155106	CAP SCREW M5-.8 X 10
107	P3155107	FUSE HOLDER ASSY
108	P3155108	FUSE 2A
109	P3155109	CAP SCREW M5-.8 X 12

REF	PART #	DESCRIPTION
110	P3155110	GROUNDING STRAP
111	P3155111	CAP SCREW M5-.8 X 10
112	P3155112	CAP SCREW M5-.8 X 12
113	P3155113	CONTACTOR SIEMENS 3BT40 220V
114	P3155114	CONTACTOR SIEMENS 3BT43 220V
115	P3155115	OL RELAY SIEMENS 3UA52 16-25A
116	P3155116	CAP SCREW M5-.8 X 10
117	P3155117	TERMINAL BLOCK 10-POST
118	P3155118	CAP SCREW M5-.8 X 16
119	P3155119	CAP SCREW M5-.8 X 10
120	P3155120	MAIN POWER SWITCH
121	P3155121	CAP SCREW M6-1 X 10
122	P3155122	POWER SWITCH COVER
123	P3155123	CAP SCREW M6-1 X 16



Accessories



REF	PART #	DESCRIPTION
125	P3155125	MAGNETIC CHUCK ASSY
501-2	P3155501-2	WHEEL BALANCING KIT
600	P3155600	COOLANT PUMP/RESERVOIR ASSY
602	P3155602	COOLANT RETURN HOSE
603	P3155603	COOLANT FEED HOSE
604	P3155604	HOSE CLAMP 1"
605	P3155605	TOOL BOX
606	P3155606	FLAT WASHER 1/2
607	P3155607	HEX NUT 1/2-13
608	P3155608	T-BOLT 1/2-13 X 2

REF	PART #	DESCRIPTION
609	P3155609	MAGNETIC CHUCK HEX WRENCH
610	P3155610	CLAMP
611	P3155611	DRESSER HOLDER
612	P3155612	SPANNER WRENCH
613	P3155613	SCREWDRIVER PHILLIPS #2
614	P3155614	SCREWDRIVER FLAT #2
615	P3155615	WRENCH 22/24MM
616	P3155616	WRENCH 17/19MM
617	P3155617	WRENCH 12/14MM
618	P3155618	HEX WRENCH SET 1.5-10MM



Labels



REF	PART #	DESCRIPTION
701	P3155701	MACHINE ID LABEL
702	P3155702	COOLANT HAZARD LABEL HL
703	P3155703	READ MANUAL LABEL VL
704	P3155704	KICKOUT HAZARD LABEL HL
705	P3155705	EYE/FACE/LUNG LABEL VL

REF	PART #	DESCRIPTION
706	P3155706	DISCONNECT WARNING LABEL VL
707	P3155707	MODEL NUMBER LABEL
708	P3155708	GRIZZLY PUTTY TOUCH UP PAINT
709	P3155709	GRIZZLY GREEN TOUCH UP PAINT

