



IMPORTS, INC.

HOLLOW CHISEL MORTISER

MODEL G3183

PARTS LIST

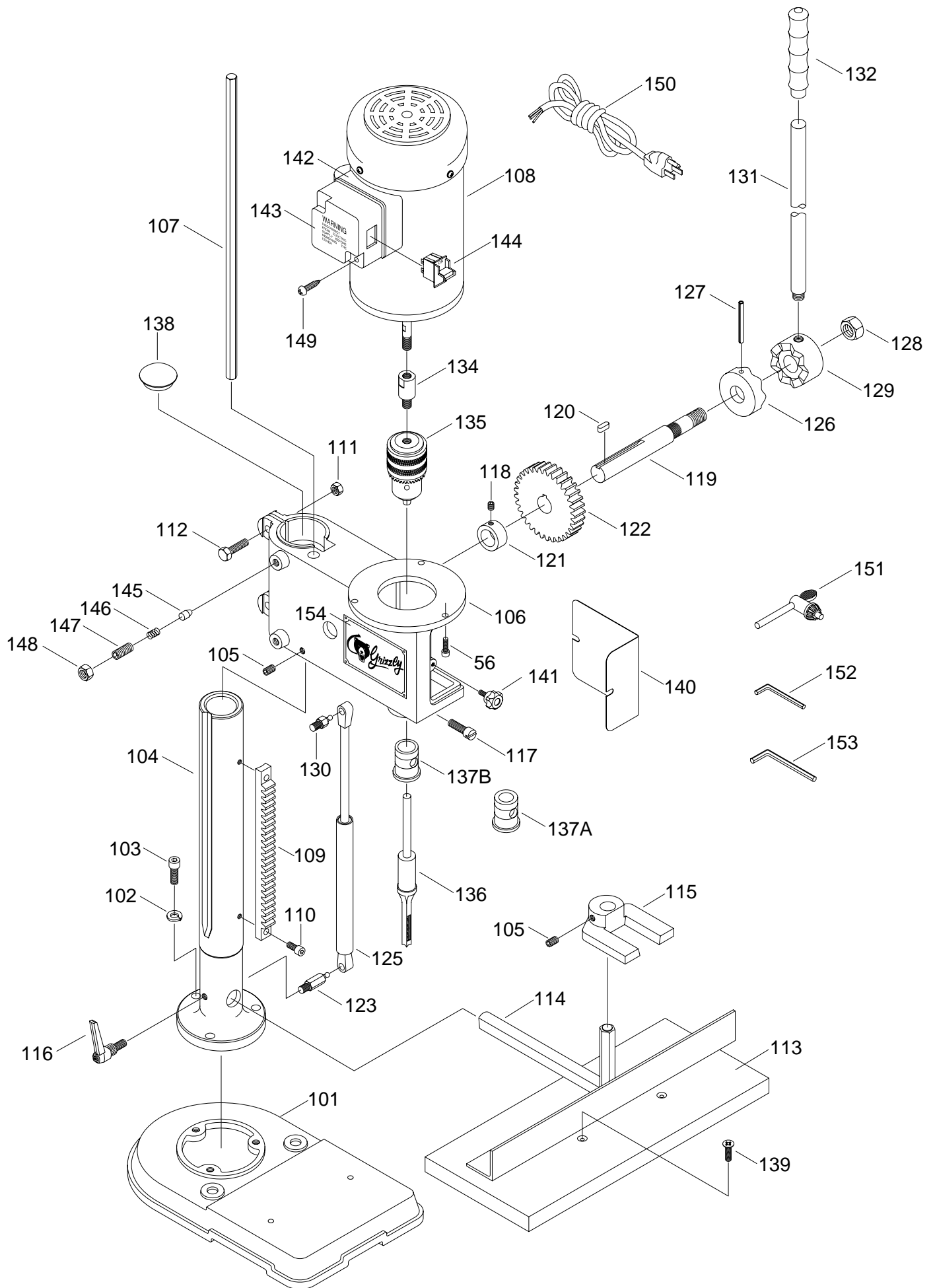


COPYRIGHT © NOVEMBER, 1994 BY GRIZZLY IMPORTS, INC. REG. TX 3 926 489
WARNING: NO PORTION OF THIS MANUAL MAY BE REPRODUCED IN ANY SHAPE
OR FORM WITHOUT THE WRITTEN APPROVAL OF GRIZZLY IMPORTS, INC.

REVISED NOVEMBER, 1996 PRINTED IN USA

PARTS LIST DISCLAIMER

THIS PARTS LIST AND DRAWINGS REPRESENT THE CONFIGURATION OF THE MACHINE AS IT IS CURRENTLY BEING SHIPPED. THE MACHINE CONFIGURATION CAN CHANGE AS PRODUCT IMPROVEMENTS ARE INCORPORATED. IF YOU OWN AN EARLIER VERSION OF THE MACHINE, THIS PARTS LIST MAY NOT DEPICT YOUR MACHINE EXACTLY. CONTACT CUSTOMER SERVICE IF YOU HAVE ANY QUESTIONS ABOUT PART DIFFERENCES. PREVIOUS PARTS LIST VERSIONS ARE NOT AVAILABLE ONLINE.



REF	PART #	DESCRIPTION
101	P3183001	CASTING BASE
102	PLW04M	LOCK WASHER 8mm
103	PSB14M	CAP SCREW M8-1.25x20mm
104	P3183104	COLUMN
105	PSS16M	SETSCREW M8-1.25x10mm
106	P3183006	HEADSTOCK
107	P3183007	DEPTH STOP ROD
108	P3183008	MOTOR
109	P3183009	RACK
110	PSB26M	CAP SCREW M6-1.0x12mm
111	PLN04M	LOCK NUT M8-1.25
112	PB26M	HEX BOLT M8-1.25x30mm
113	P3183013	TABLE
114	P3183014	FENCE
115	P3183015	HOLD DOWN
116	P3183016	LOCK HANDLE
117	P3183017	BRASS SCREW
118	PSS02M	SETSCREW M6-1.0x6mm
119	P3183019	PINION SHAFT
120	PK19M	KEY 5x5x14mm
121	P3183021	COLLAR
122	P3183022	GEAR
123	P3183123	LOWER CYL. FITTING
125	P3183125	HYDRAULIC CYLINDER
126	P3183026	LEFT ADJ. GEAR
127	PRP30M	ROLL PIN 5x50mm
128	P3183028	HEX NUT M16-2.0

REF	PART #	DESCRIPTION
129	P3183029	RIGHT ADJ. GEAR
130	P3183130	UPPER CYL. FITTING
131	P3183031	HANDLE BAR
132	P3183032	HANDLE GRIP
133	PSB24M	CAP SCREW M5-0.8x16mm
134	P3183034	SPINDLE EXTENSION
135	P3183035	CHUCK
136		SEE CATALOG
137A	P3183037A	BUSHING 5/8"
137B	P3183037B	BUSHING 3/4"
138	P3183042	CAP
139	PFH06M	FLAT HD SCR M6-1.0x12mm
140	P3183040	COVER
141	P3183041	KNOB
142	P3183047	SWITCH BASE
143	P3183046	SWITCH COVER
144	PSW07	SWITCH
145	P3183044	BRASS PIN
146	P3183048	SPRING
147	PSS10M	SETSCREW M10-1.5x20mm
148	PN02M	HEX NUT M10-1.5
149	P3183046A	SCREW
150	P3183052	POWER CORD
151	P3183051	CHUCK KEY
152	PAW 04M	ALLEN WRENCH 4mm
153	PAW 05M	ALLEN WRENCH 5mm
154	P3183154	LOGO PLATE