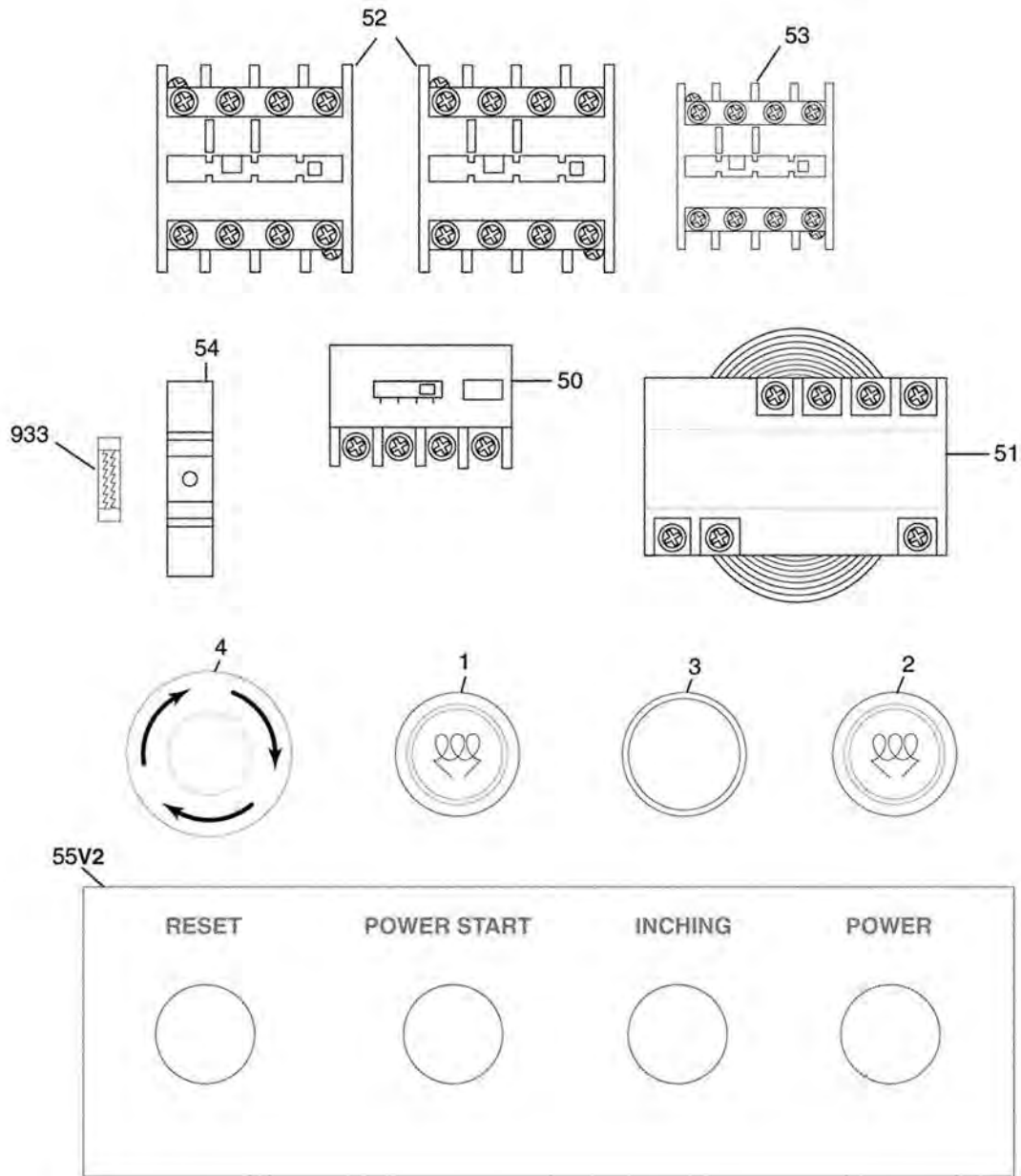


SECTION 9: PARTS

Electrical

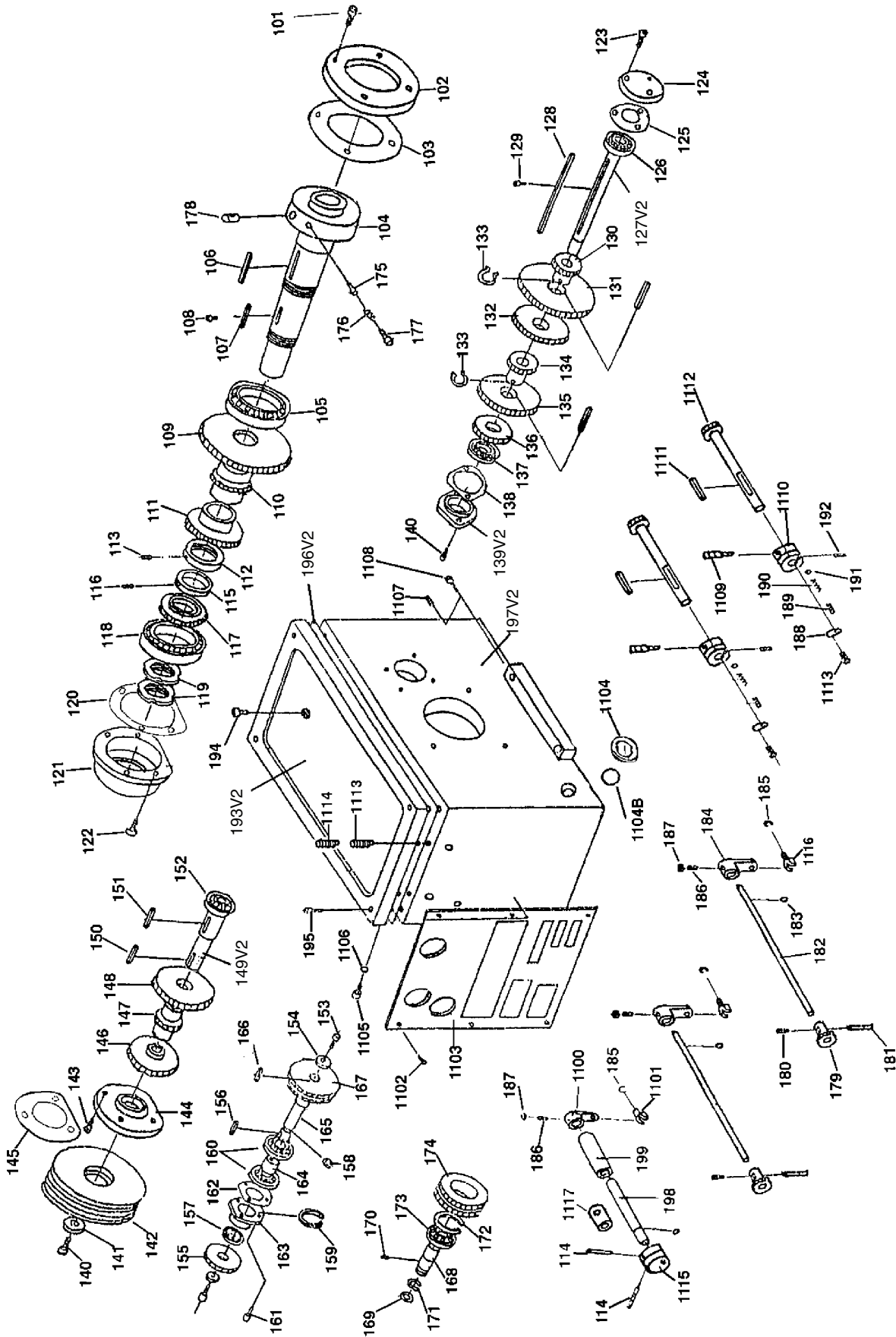


REF	PART #	DESCRIPTION
1	P4002001	START BUTTON
2	P4002002	INDICATOR LIGHT
3	P4002003	JOG BUTTON
4	P4002004	RESET BUTTON
50	P4002050	THERMAL PROT. BLOCK
51	P4002051	TRANSFORMER

REF	PART #	DESCRIPTION
52	P4002052	CONTACTOR GSC1CJX4-D 110V
53	P4002053	CONTACTOR JZC3-40D 110V
54	P4002054	FUSE HOLDER
55V2	P4002055A	CONTROL PANEL PLATE V2.03.07
933	P4002933	FUSE 2 AMP



Headstock



Headstock Parts List

REF	PART #	DESCRIPTION
101	P4002101	CAP SCREW M6-1 X 25
102	P4002102	COVER
103	P4002103	OIL SEAL
104	P4002104	SPINDLE 16"
105	P4002105	BEARING D-7212
106	P4002106	KEY 8 X 8 X 80
107	P4002107	KEY
108	P4002108	CAP SCREW M3-.5 X 8
109	P4002109	GEAR 37T/74T
110	P4002110	GEAR 46T
111	P4002111	GEAR 59T
112	P4002112	NUT 58OD
113	P4002113	CAP SCREW M8-1.25 X 10
114	P4002114	ROLL PIN 5 X 40
115	P4002115	COLLAR
116	P4002116	CAP SCREW M3-.5 X 8
117	P4002117	GEAR
118	P4002118	BEARING D-7211
119	P4002119	NUT
120	P4002120	OIL SEAL
121	P4002121	COVER
122	P4002122	CAP SCREW M8-1.25 X 20
123	P4002123	CAP SCREW M6-1 X 12
124	P4002124	COVER
125	P4002125	OIL SEAL
126	P4002126	BALL BEARING 6304 ZZ
127V2	P4002127V2	SHAFT 219MM V2.01.03
128	P4002128	KEY 8 X 180
129	P4002129	CAP SCREW M3-.5 X 8
130	P4002130	GEAR
131	P4002131	GEAR
132	P4002132	GEAR
133	P4002133	INT RETAINING RING 15MM
134	P4002134	GEAR
135	P4002135	GEAR
136	P4002136	GEAR
137	P4002137	BALL BEARING 6004 OPEN
138	P4002138	OIL SEAL
139V2	P4002139V2	COVER 45MM V2.01.03
140	P4002140	CAP SCREW M8-1.25 X 20
141	P4002141	WASHER
142	P4002142	PULLEY
143	P4002143	CAP SCREW M6-1 X 12
144	P4002144	COVER
145	P4002145	OIL SEAL
146	P4002146	GEAR
147	P4002147	GEAR
148	P4002148	GEAR
149V2	P4002149V2	SHAFT 178MM V2.01.03
150	P4002150	KEY CS X 80
151	P4002151	KEY 5 X 5 X 80
152	P4002152	BALL BEARING 6004 OPEN
153	P4002153	CAP SCREW M6-1 X 12

REF	PART #	DESCRIPTION
154	P4002154	WASHER
155	P4002155	GEAR 40T
156	P4002156	KEY CS X 8
157	P4002157	OIL SEAL 25 X 40 X 10 V1.10.96
158	P4002158	EXT RETAINING RING 20MM
159	P4002159	INT RETAINING RING 40MM
160	P4002160	BALL BEARING 6004 OPEN
161	P4002161	CAP SCREW M6-1 X 12
162	P4002162	OIL SEAL
163	P4002163	COVER
164	P4002164	COLLAR
165	P4002165	SHAFT 117MM
166	P4002166	KEY 5 X 5 X 20
167	P4002167	GEAR
168	P4002168	SHAFT
169	P4002169	OIL SEAL 17 X 2.65
170	P4002170	SET SCREW M8-1.25 X 6
171	P4002171	C-CLIP
172	P4002172	INT RETAINING RING 47MM
173	P4002173	BALL BEARING 6204 OPEN
174	P4002174	GEAR 38T/45T
175	P4002175	LOCK PIN
176	P4002176	SPRING 6 X 4 X 22
177	P4002177	CAP SCREW M8-1.25 X 16
178	P4002178	ECCENTRIC SHAFT
179	P4002179	GEAR
180	P4002180	SET SCREW M8-1.25 X 10
181	P4002181	ROLL PIN 6 X 5
182	P4002182	SHAFT
183	P4002183	OIL SEAL
184	P4002184	SHAFT ARM
185	P4002185	C-CLIP
186	P4002186	CAP SCREW M8-1.25 X 16
187	P4002187	HEX NUT M8-1.25
188	P4002188	SIGN BOARD
189	P4002189	SET SCREW M8-1.25 X 8
190	P4002190	COMPRESSIONSPRING 1.2 X 48 X 27
191	P4002191	STEEL BALL 6MM
192	P4002192	SET SCREW M6-1 X 20
193V2	P4002193V2	COVER 10-3/8" V2.01.03
194	P4002194	SCREW
195	P4002195	CAP SCREW M6-1 X 25
196V2	P4002196V2	OIL SEAL V2.09.05
197V2	P4002197V2	HEADSTOCK V2.01.03
198	P4002198	SHAFT
199	P4002199	COLLAR
1100	P40021100	SHIFTER ARM
1101	P40021101	SHIFTER
1102	P40021102	STEEL FLUTED RIVET 2 X 5MM
1103	P40021103	NAME PLATE
1104	P40021104	OIL WINDOW 12MM
1104B	P40021104B	O-RING 15 X 2.65
1105	P40021105	CAP SCREW M8-1.25 X 30

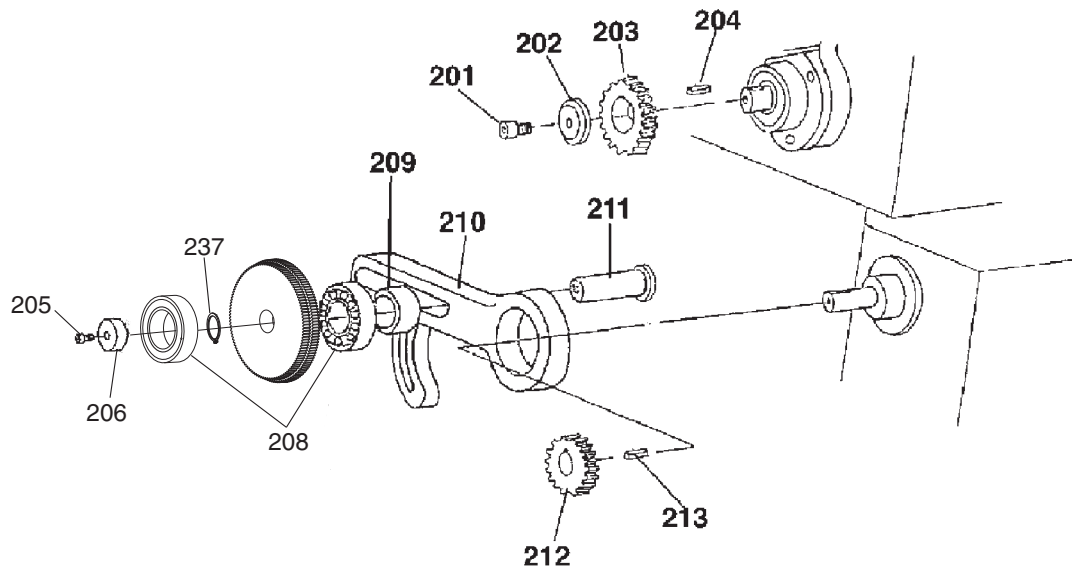


REF	PART #	DESCRIPTION
1106	P40021106	OIL SEAL 9.5 X 2.65
1107	P40021107	CAP SCREW M8-1.25 X 30
1108	P40021108	HEX BOLT M8-1.25 X 40
1109	P40021109	HANDLE
1110	P40021110	BOSS
1111	P40021111	KEY 5 X 5 X 15

REF	PART #	DESCRIPTION
1112	P40021112	GEAR
1113	P40021113	CAP SCREW M6-1 X 8
1114	P40021114	CAP SCREW M6-1 X 8
1115	P40021115	BOSS
1116	P40021116	SHIFTER
1117	P40021117	COLLAR



Change Gear Train



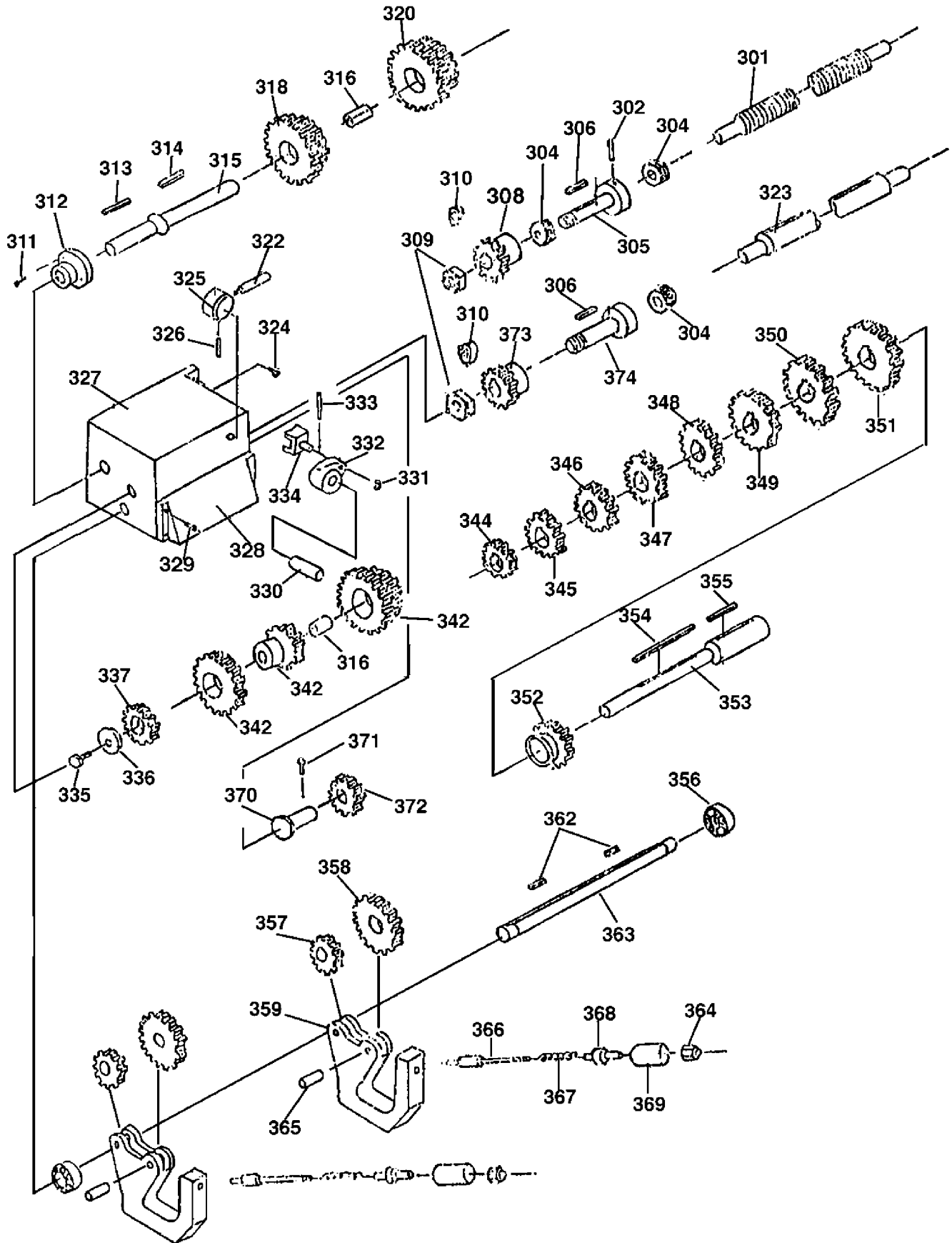
(Alternate gears: 938V2, 945)

REF	PART #	DESCRIPTION
201	P4002201	CAP SCREW M6-1 X 12
202	P4002202	WASHER
203	P4002203	GEAR
204	P4002204	KEY 5 X 5 X 30
205	P4002205	CAP SCREW M6-1 X 12
206	P4002206	WASHER
207B	P4002207B	GEAR 86T/91T V3.08.05
208	P4002208	BALL BEARING 6003-2RS

REF	PART #	DESCRIPTION
209	P4002209	SPACER
210	P4002210	QUADRANT
211	P4002211	SHAFT
212	P4002212	GEAR 40T
213	P4002213	KEY 5 X 5 X 30
237	P4002237	EXT RETAINING RING 35MM
938V2	P4003938V2	GEAR 35T V2.08.05
945	P4003945	GEAR 36T



Quick Change Gearbox



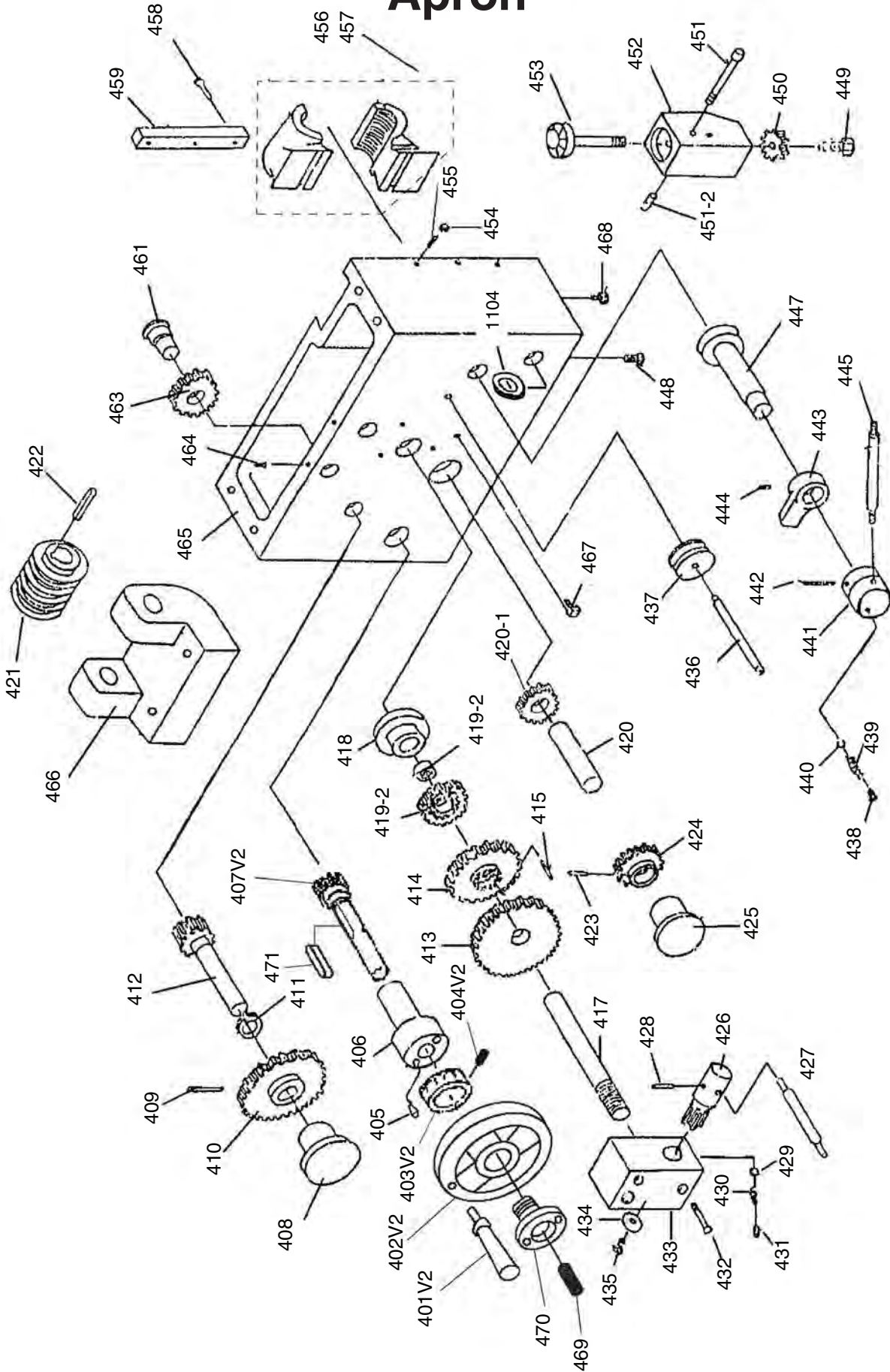
Quick Change Gearbox Parts List

REF	PART #	DESCRIPTION
301	P4002301	LEADSCREW (G4002)
301	P4003301	LEADSCREW (G4003)
302	P4002302	ROLL PIN 5 X 36
304	P4002304	THRUST BEARING 8103
305	P4002305	SHAFT
306	P4002306	KEY 5 X 5 X 14
308	P4002308	GEAR
309	P4002309	HEX NUT M12-1.75
310	P4002310	WASHER
311	P4002311	CAP SCREW M6-1 X 16
312	P4002312	COVER
313	P4002313	KEY 5 X 5 X 30
314	P4002314	KEY 5 X 5 X 10
315	P4002315	SHAFT
316	P4002316	BUSHING
318	P4002318	GEAR 16T/32T
320	P4002320	GEAR 16T/32T
322	P4002322	LEVER
323	P4002323	FEED ROD (G4002)
323	P4003323	FEED ROD (G4003)
324	P4002324	HEX BOLT M10-1.5 X 30
325	P4002325	BOSS
326	P4002326	ROLL PIN 5 X 40
327	P4002327	GEAR BOX
328	P4002328	PLATE
329	P4002329	CAP SCREW M6-1 X 16
330	P4002330	SHAFT
331	P4002331	E-CLIP 13MM
332	P4002332	SHIFT PIVOT
333	P4002333	PIN 4 X 30
334	P4002334	SHIFT YOKE
335	P4002335	CAP SCREW M6-1 X 12

REF	PART #	DESCRIPTION
336	P4002336	WASHER
337	P4002337	GEAR 16T
342	P4002342	COMBO GEAR 3PC SET
344	P4002344	GEAR 16T
345	P4002345	GEAR 18T
346	P4002346	GEAR 19T
347	P4002347	GEAR 20T
348	P4002348	GEAR 22T
349	P4002349	GEAR 24T
350	P4002350	GEAR 26T
351	P4002351	GEAR 28T
352	P4002352	GEAR 24T
353	P4002353	SHAFT
354	P4002354	KEY 5 X 5 X 75
355	P4002355	KEY 5 X 5 X 40
356	P4002356	BEARING 7000102
357	P4002357	GEAR 16T
358	P4002358	GEAR 32T W/BUSHING
359	P4002359	SHIFT LEVER
362	P4002362	KEY
363	P4002363	SHAFT
364	P4002364	HEX NUT M6-1
365	P4002365	SHAFT 16MM X 32MM
366	P4002366	SHAFT
367	P4002367	COMPRESSION SPRING 1 X 8 X 47
368	P4002368	SLEEVE
369	P4002369	HOUSING
370	P4002370	SHAFT
371	P4002371	CAP SCREW M8-1.25 X 8
372	P4002372	GEAR 15T
373	P4002373	GEAR 24T
374	P4002374	SHAFT



Apron



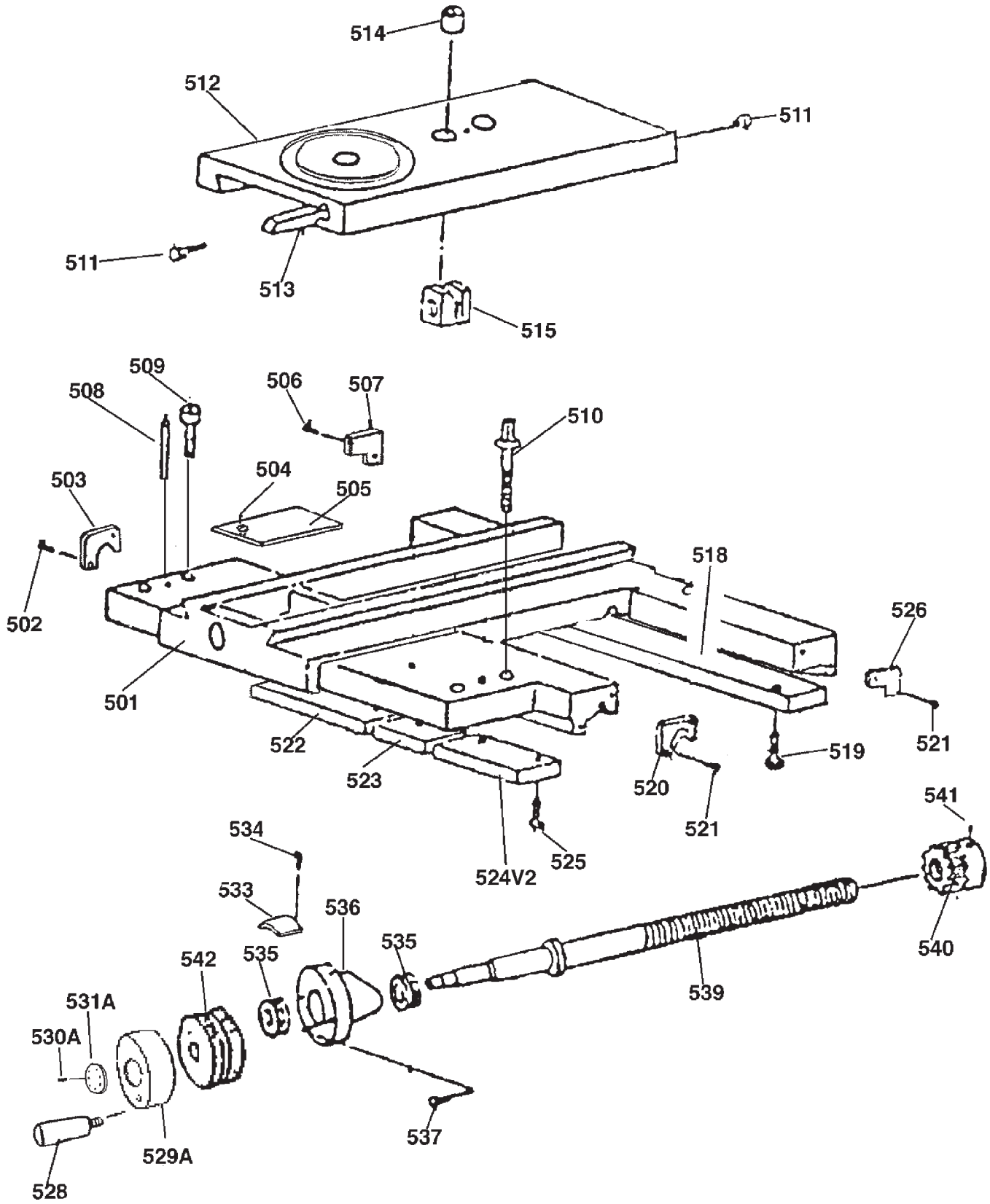
Apron Parts List

REF	PART #	DESCRIPTION
401V2	P4002401V2	HANDLE V2.08.12
402V2	P4002402V2	HANDWHEEL V2.08.12
403V2	P4002403V2	GRADUATED DIAL V2.08.12
404V2	P4002404V2	SET SCREW M6-1 X 8
405	P4002405	CAP SCREW M6-1 X 20
406	P4002406	BRACKET
407V2	P4002407V2	GEAR SHAFT V2.08.12
408	P4002408	BUSHING
409	P4002409	ROLL PIN 5 X 30
410	P4002410	GEAR 50T
411	P4002411	EXT RETAINING RING 19MM
412	P4002412	GEAR SHAFT
413	P4002413	GEAR 46T
414	P4002414	GEAR 51T
415	P4002415	ROLL PIN 5 X 30
417	P4002417	SHAFT
418	P4002418	BUSHING
419-2	P4002419-2	GEAR W/BUSHING AND SPACER
420	P4002420	SHAFT
421	P4002421	WORM
422	P4002422	KEY 5 X 5 X 45
423	P4002423	ROLL PIN 5 X 24
424	P4002424	GEAR 14T
425	P4002425	BUSHING
426	P4002426	GEAR SHAFT B5 X 36
427	P4002427	LEVER
428	P4002428	ROLL PIN 5 X 24
429	P4002429	STEEL BALL 6MM
430	P4002430	COMPRESSION SPRING 1 X 4.5 X 6
431	P4002431	SET SCREW M6-1 X 8
432	P4002432	CAP SCREW M6-1 X 45
433	P4002433	BOSS
434	P4002434	WASHER
435	P4002435	CAP SCREW M6-1 X 40
436	P4002436	SHAFT

REF	PART #	DESCRIPTION
437	P4002437	SAFETY SHIFTER
438	P4002438	CAP SCREW M8-1.25 X 6
439	P4002439	COMPRESSION SPRING 1 X 4.5 X 6
440	P4002440	STEEL BALL 6MM
441	P4002441	BOSS
442	P4002442	ROLL PIN 6 X 40
443	P4002443	DOG
444	P4002444	CAP SCREW M8-1.25 X 30
445	P4002445	LEVER
447	P4002447	SHAFT
448	P4002448	CAP SCREW M6-1 X 65
449	P4002449	CAP SCREW M6-1 X 15
450	P4002450	GEAR 16T
451	P4002451	CAP SCREW M6-1 X 60
451-2	P4002451-2	SPACER
452	P4002452	HOUSING
453	P4002453	THREAD DIAL
454	P4002454	HEX NUT M6-1
455	P4002455	HEX BOLT M6-1 X 16
456	P4002456	HALF NUT 2 PC
457	P4002457	HALF NUT HOUSING 2 PC
458	P4002458	CAP SCREW M6-1 X 25
459	P4002459	GIB
461	P4002461	SHAFT
463	P4002463	GEAR 25T
464	P4002464	SET SCREW M6-1 X 6
465	P4002465	APRON CASE
466	P4002466	WORM BRACKET
467	P4002467	LIMIT BLOCK
468	P4002468	OIL PLUG M10-1.5 X 20
469	P4002469	SET SCREW M6-1 X 20
470	P4002470	SPANNER CAP SCREW
471	P4002471	KEY 5 X 5 X 20
1104	P40021104	OIL WINDOW 12MM



Saddle



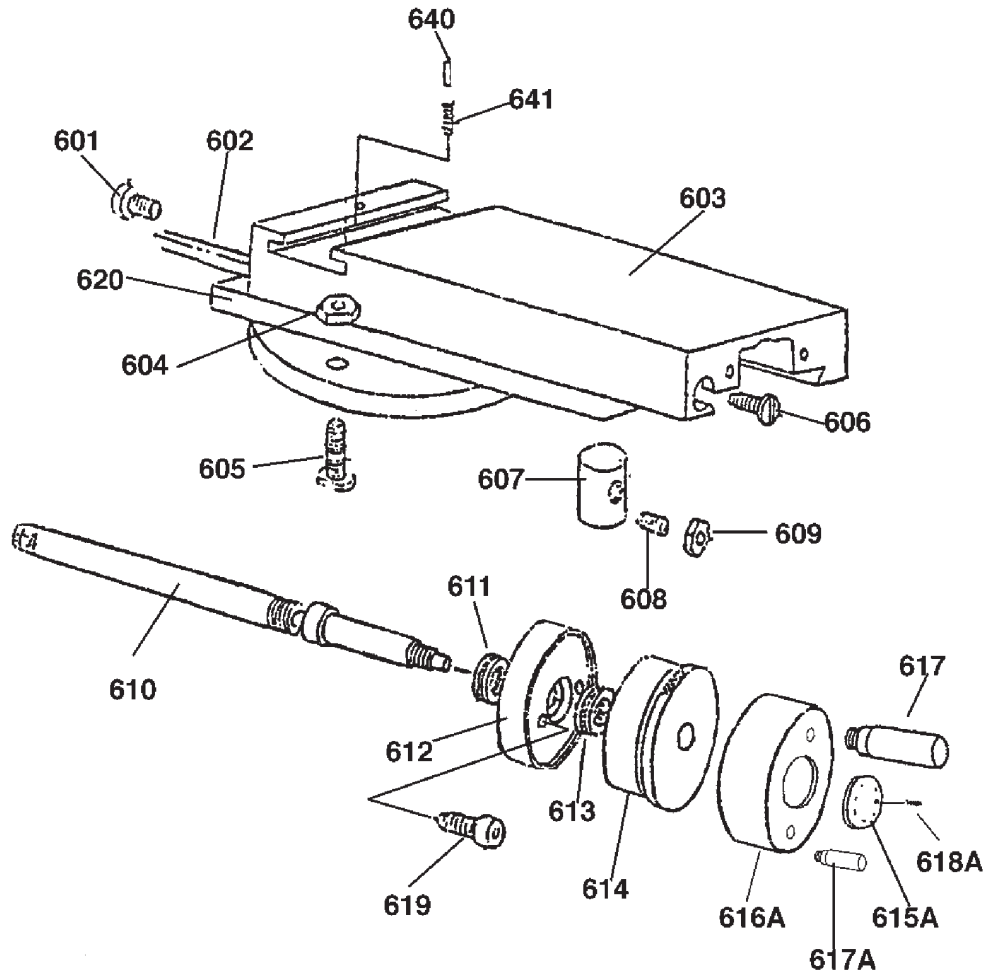
Saddle Parts List

REF	PART #	DESCRIPTION
501	P4002501	SADDLE
502	P4002502	PHLP HD SCR M3-.5 X 14
503	P4002503	WIPER
504	P4002504	PHLP HD SCR 8-32 X 3/8
505	P4002505	COVER
506	P4002506	CAP SCREW M5-.8 X 14
507	P4002507	WIPER
508	P4002508	ROLL PIN 5 X 45
509	P4002509	CAP SCREW M8-1.25 X 35
510	P4002510	SCREW
511	P4002511	SCREW
512	P4002512	CROSS SLIDE
513	P4002513	GIB
514	P4002514	BUSHING
515	P4002515	CROSS SLIDE NUT M8-1.25, BRASS
518	P4002518	SLIDE PLATE
519	P4002519	CAP SCREW M8-1.25 X 25
520	P4002520	WIPER
521	P4002521	SCREW

REF	PART #	DESCRIPTION
522	P4002522	SLIDE PLATE
523	P4002523	SLIDE PLATE
524V2	P4002524V2	SLIDE PLATE 3 HOLES V2.01.09
525	P4002525	HEX BOLT M8-1.25 X 24
526	P4002526	WIPER
528	P4002528	HANDLE
529A	P4002529A	BRACKET
530A	P4002530A	SET SCREW
531A	P4002531A	SPANNER NUT
533	P4002533	SIGN BOARD
534	P4002534	RIVET 2 X 3MM STEEL
535	P4002535	THRUST BEARING 51102
536	P4002536	BRACKET
537	P4002537	CAP SCREW M6-1 X 25
539	P4002539	CROSS SLIDE LEADSCREW
540	P4002540	GEAR 13T
541	P4002541	CAP SCREW M6-1 X 8
542	P4002542	DIAL



Compound Rest

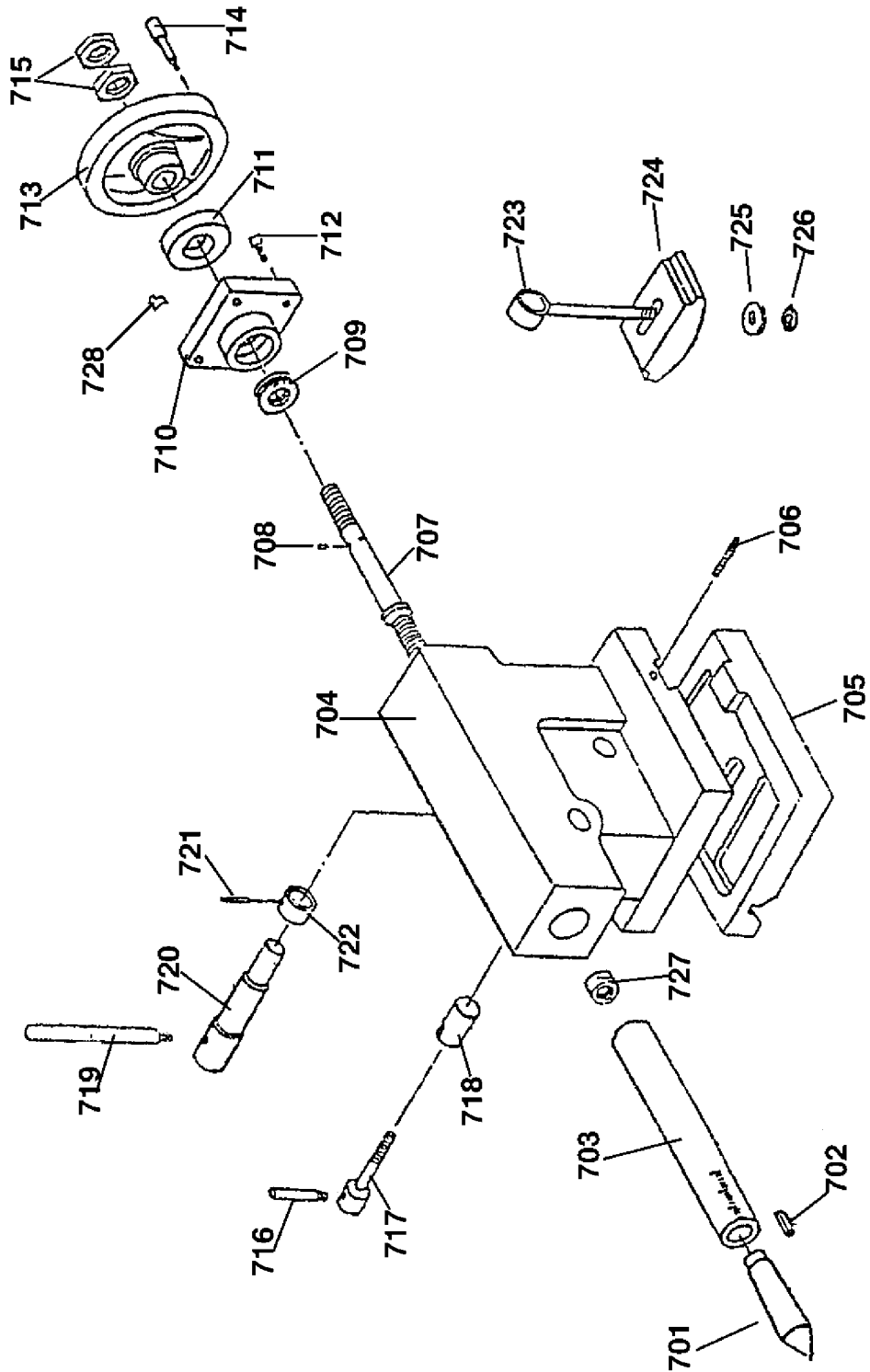


REF	PART #	DESCRIPTION
601	P4002601	SCREW
602	P4002602	GIB
603	P4002603	COMPOUND SLIDE
604	P4002604	HEX NUT M8-1.25
605	P4002605	COMPOUND T-BOLT
606	P4002606	COMPOUND GIB BOLT
607	P4002607	LEAD SCREW NUT
608	P4002608	SET SCREW M6-1 X 8
609	P4002609	HEX NUT M6-1
610	P4002610	COMPOUND REST LEADSCREW
611	P4002611	THRUST BEARING 8101
612	P4002612	BRACKET

REF	PART #	DESCRIPTION
613	P4002613	THRUST BEARING 8101
614	P4002614	INDEX RING
615A	P4002615A	SPANNER NUT
616A	P4002616A	BRACKET
617A	P4002617A	SHORT HANDLE
617	P4002617	LONG HANDLE W/SCREW
618A	P4002618A	SET SCREW M5-.8 X 5
619	P4002619	CAP SCREW M6-1 X 15
620	P4002620	COMPOUND REST
640	P4002640	PIN
641	P4002641	COMPRESSION SPRING 1 X 5 X 12



Tailstock



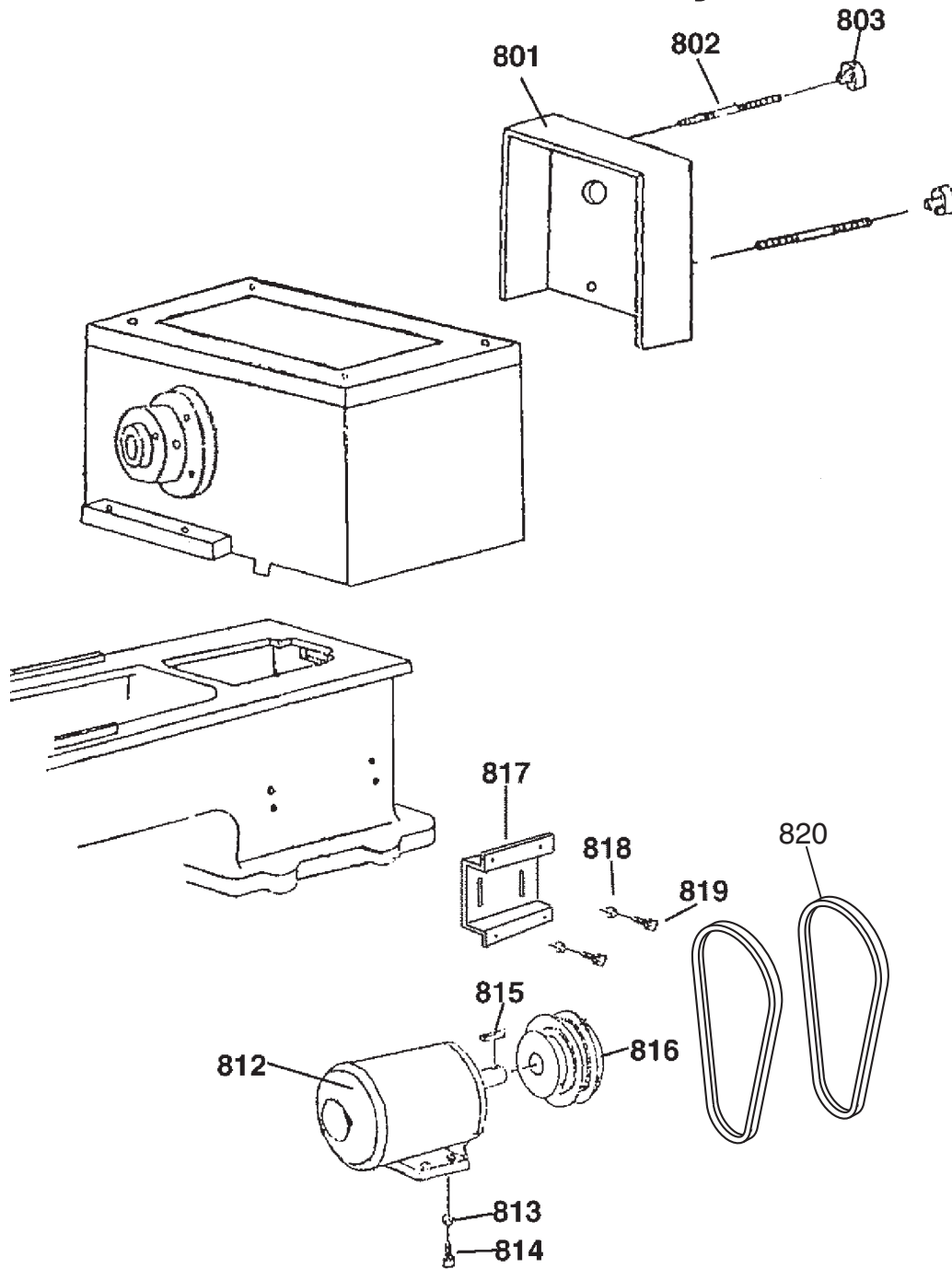
Tailstock Parts List

REF	PART #	DESCRIPTION
701	P4002701	CENTER
702	P4002702	KEY 8 X 30
703	P4002703	QUILL
704	P4002704	TAIL STOCK
705	P4002705	BASE
706	P4002706	CAP SCREW M10-1.5 X 50
707	P4002707	SCREW
708	P4002708	PIN B4 X 8
709	P4002709	THRUST BEARING 8101
710	P4002710	BRACKET
711	P4002711	INDEX RING
712	P4002712	CAP SCREW M6-1 X 20
713	P4002713	HAND WHEEL
714	P4002714	HANDLE

REF	PART #	DESCRIPTION
715	P4002715	HEX NUT M12-1.75
716	P4002716	HANDLE
717	P4002717	LOCK SCREW
718	P4002718	LOCK SHAFT
719	P4002719	HANDLE
720	P4002720	SHAFT
721	P4002721	ROLL PIN 5 X 30
722	P4002722	COLLAR
723	P4002723	SHAFT
724	P4002724	BASE SHOE BLOCK
725	P4002725	FLAT WASHER 12MM
726	P4002726	HEX NUT M12-1.75
727	P4002727	NUT
728	P4002728	INDEX



Motor Assembly

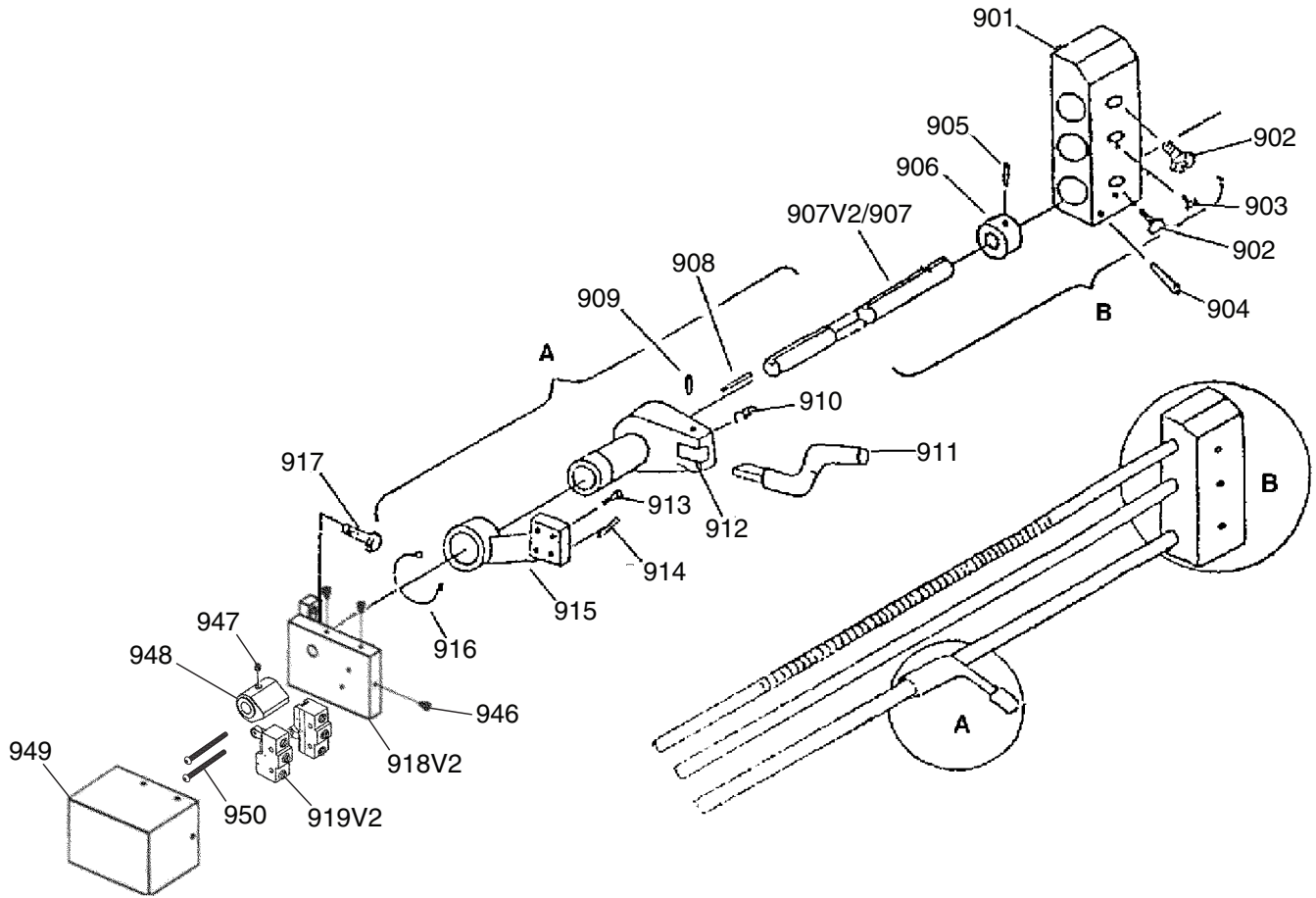


REF	PART #	DESCRIPTION
801	P4002801	COVER
802	P4002802	SCREW
803	P4002803	NUT
812	P4002812	MOTOR 2 HP 1.1KW V2.12.97
813	P4002813	FLAT WASHER 10MM
814	P4002814	HEX BOLT M10-1.5 X 30

REF	PART #	DESCRIPTION
815	P4002815	KEY
816	P4002816	PULLEY
817	P4002817	MOTOR MOUNT BRACKET
818	P4002818	FLAT WASHER 12MM
819	P4002819	HEX BOLT M10-1.5 X 30
820	P4002820	V-BELT A29



Feed Rod Leadscrew

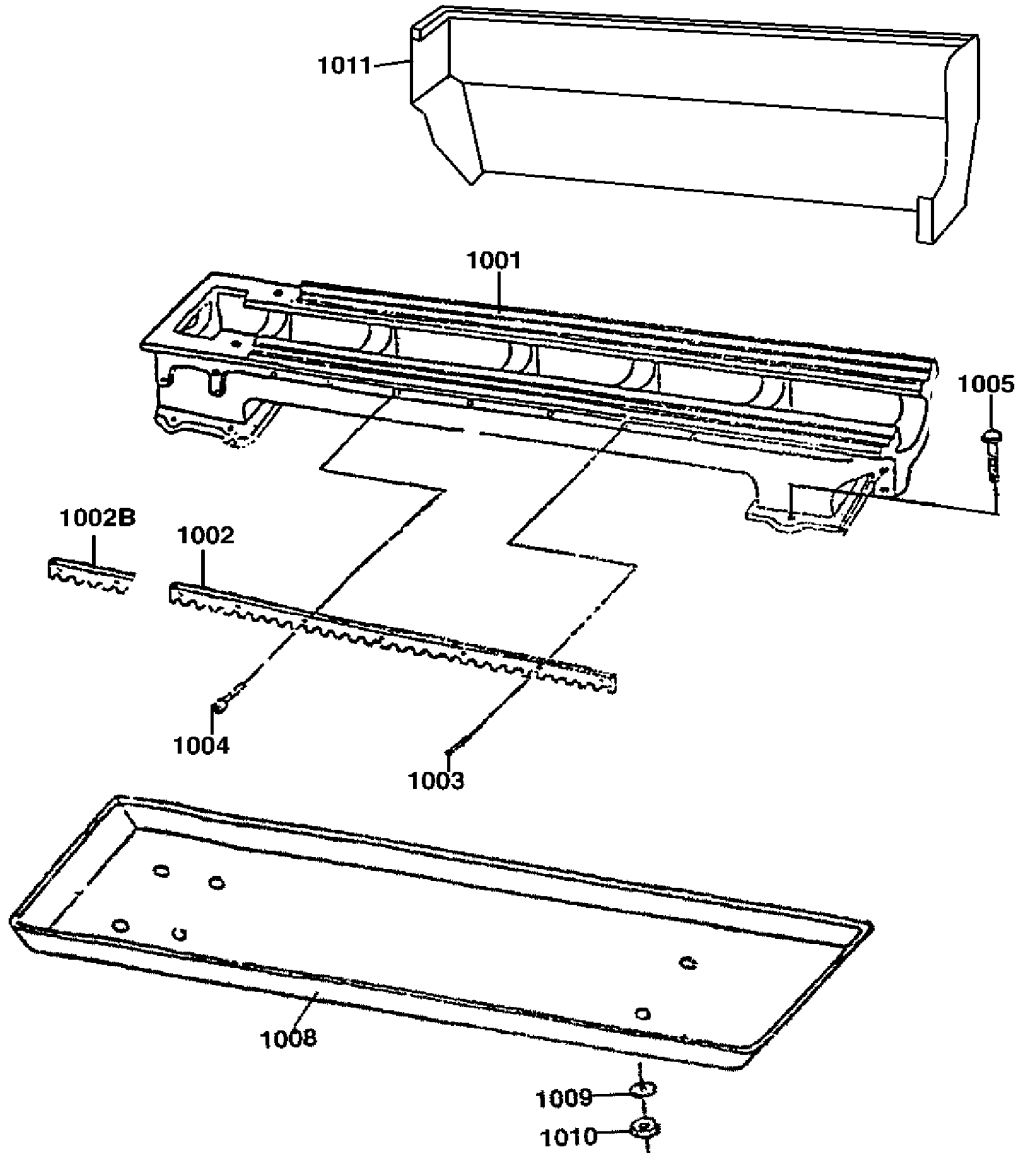


p	PART #	DESCRIPTION
901	P4002901	BRACKET
902	P4002902	CAP SCREW M6-1 X 11
903	P4002903	OIL CAP 6MM
904	P4002904	ROLL PIN 6 X 55
905	P4002905	SET SCREW M6-1 X 6
906	P4002906	COLLAR
907V2	P4002907V2	SPINDLE ROD V2.12.14 (G4002)
907	P4003907	SPINDLE ROD (G4003)
908	P4002908	KEY
909	P4002909	ROLL PIN 4 X 20
910	P4002910	COMPRESSION SPRING 7020
911	P4002911	HANDLE
912	P4002912	BRACKET

REF	PART #	DESCRIPTION
913	P4002913	CAP SCREW M6-1 X 14
914	P4002914	ROLL PIN 5 X 25
915	P4002915	BRACKET
916	P4002916	EXT RETAINING RING 30MM
917	P4002917	CAP SCREW M8-1.25 X 25
918V2	P4002918V2	CONNECTION BRACKET V2.12.14
919V2	P4002919V2	SPINDLE ON/OFF SWITCH V2.12.14
946	P4002946	CAP SCREW M4-.7 X 6
947	P4002947	SET SCREW M6-1 X 8
948	P4002948	SPINDLE SWITCH ARM
949	P4002949	SPINDLE SWITCH BOX
950	P4002950	BUTTON HD CAP SCR M4-.7 X 45



Bed



REF	PART #	DESCRIPTION	REF	PART #	DESCRIPTION
1001	P40021001	LATHE BED (G4002)	1005	P40021005	CAP SCREW M12-1.75 X 40
1001	P40031001	LATHE BED (G4003)	1008	P40021008	CHIP PAN 18" x 53" (G4002)
1002	P40021002	RACK 16-1/2" LONG (G4002)	1008	P40031008	CHIP PAN 19" X 61" (G4003)
1002	P40031002	RACK (G4003)	1009	P40021009	FLAT WASHER 12MM
1002B	P40021002B	RACK 6-1/8" SHORT	1010	P40021010	HEX NUT M12-1.75
1003	P40021003	ROLL PIN 5 X 24	1011	P40031011	SPLASH GUARD 38" (G4002)
1004	P40021004	CAP SCREW M6-1 X 14	1011	P40031011	SPLASH GUARD 46" (G4003)

