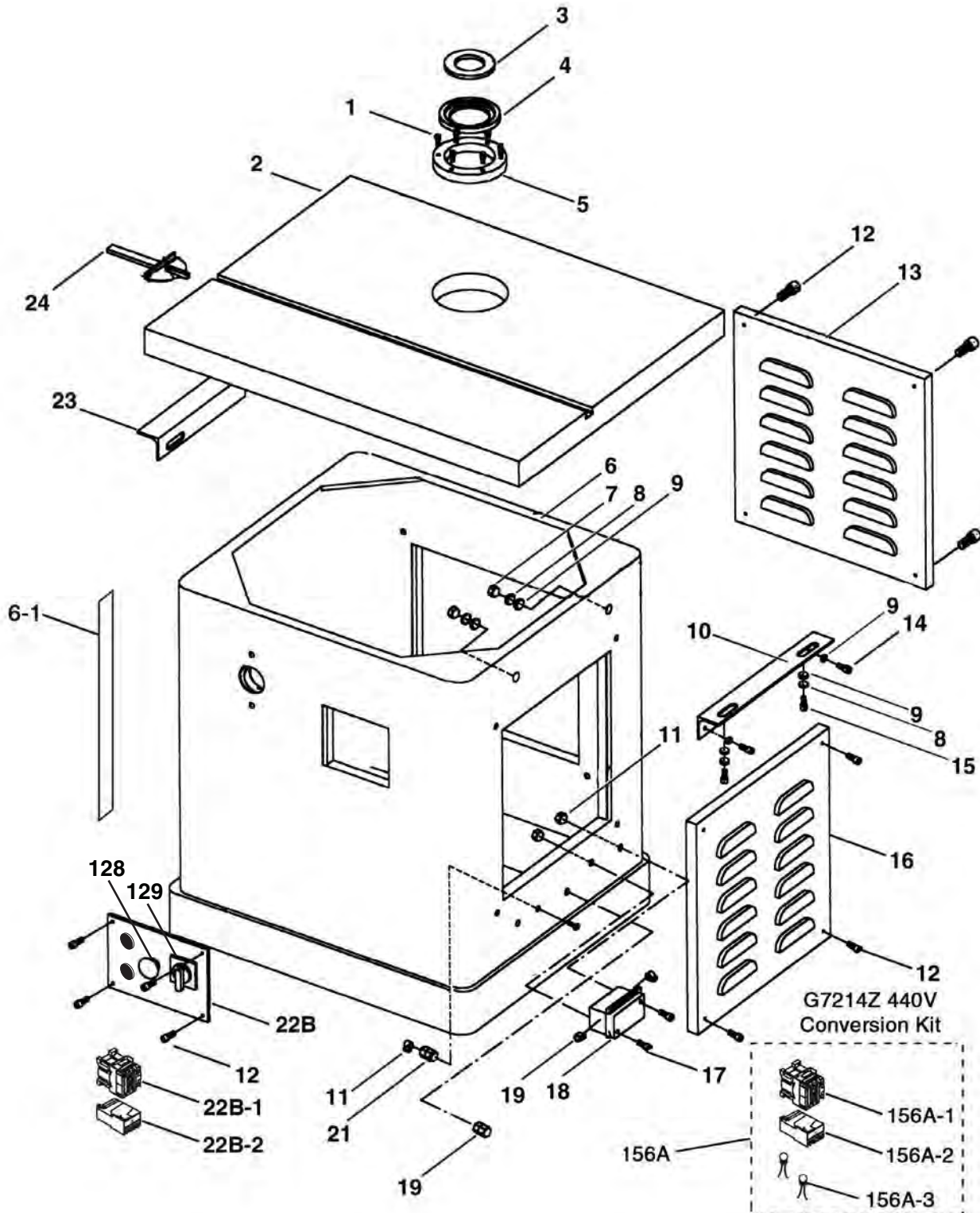


# SECTION 9: PARTS

We do our best to stock replacement parts when possible, but we cannot guarantee that all parts shown are available for purchase. Call (800) 523-4777 or visit [www.grizzly.com/parts](http://www.grizzly.com/parts) to check for availability.

## Cabinet



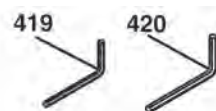
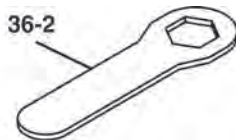
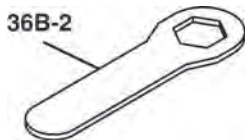
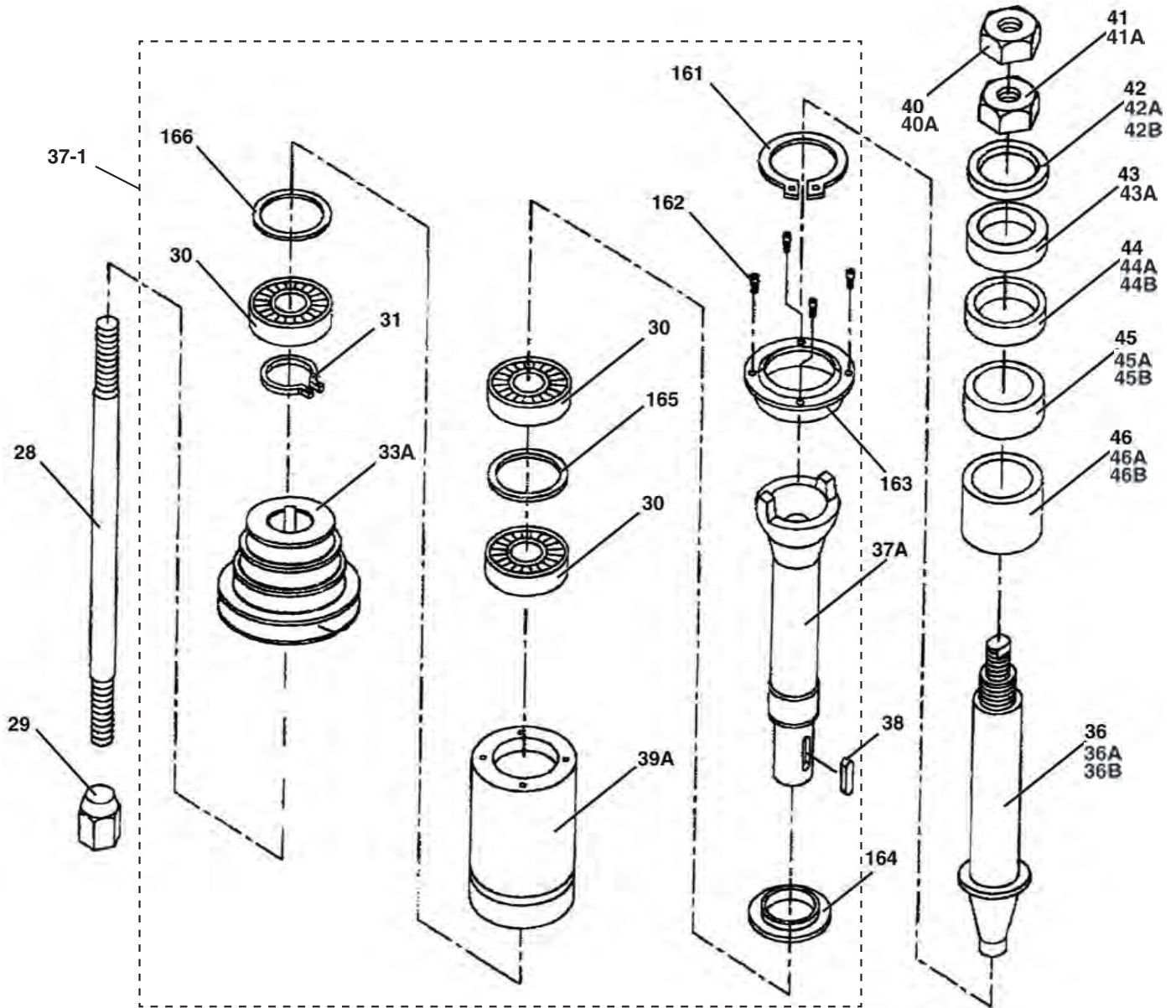
# Cabinet Parts List

REF	PART #	DESCRIPTION
1	P5912Z001	SET SCREW 5/16-18 X 5/8
2	P5912Z002	TABLE
3	P5912Z003	INSERT (SMALL) INNER
4	P5912Z004	INSERT (MID)
5	P5912Z005	INSERT (BIG)
6	P5912Z006	STAND ASSY
6-1	P5912Z006-1	DEGREE SCALE
7	P5912Z007	HEX NUT 3/8-16
8	P5912Z008	LOCK WASHER 3/8
9	P5912Z009	FLAT WASHER 3/8
10	P5912Z010	TABLE BRACE (R)
11	P5912Z011	HEX NUT 10-24
12	P5912Z012	PHLP HD SCR 1/4-20 x 5/8
13	P5912Z013	REMOVABLE DUST DOOR
14	P5912Z014	HEX BOLT 3/8-16 X 1-1/4
15	P5912Z015	HEX BOLT 3/8-16 X 3/4
16	P5912Z016	MOTOR COVER
17	P5912Z017	PHLP HD SCR 10-24 X 3/4

REF	PART #	DESCRIPTION
18	P5912Z018	TERMINAL BOX ASSY
18A	P5912Z018A	TERMINAL BOX W/O BUSBAR
19	P5912Z019	STRAIN RELIEF M14.5 TYPE-6 ST
21	P5912Z021	STRAIN RELIEF 5/8" TYPE-9 ELBOW
22B	P5912Z022B	CONTROL PANEL ASSY (G5912Z)
22B-1	P5912Z022B-1	CONTACTOR (G5912Z)
22B-2	P5912Z022B-2	OVERLOAD RELAY (G5912Z)
22B	P7214Z022B	ELECTRICAL BOX ASSY (G7214Z)
22B-1	P7214Z022B-1	CONTACTOR (G7214Z)
22B-2	P7214Z022B-2	OVERLOAD RELAY (G7214Z)
23	P5912Z023	TABLE BRACE (L)
24	P5912Z024	MITER GAUGE
128	P5912Z128	E-STOP SWITCH
129	P5912Z129	F/O/R SWITCH KEDUZH-HC-33-BY
156A	P7214Z156A	CONVERSION KIT 440V NHD V2.01.06
156A-1	P7214Z156A-1	MAGNETIC CONTACTOR 440V NHD V2.01.06
156A-2	P7214Z156A-2	THERMAL PROTECTOR 440V HND V2.01.06
156A-3	P7214Z156A-3	LIGHT BULB 440V V2.01.06



# Spindle



# Spindle Parts List

REF	PART #	DESCRIPTION
28	P5912Z028	LOCK BOLT 3/8-11
29	P5912Z029	TAPER LOCK NUT
30	P5912Z030	BALL BEARING 6008ZZ
31	P5912Z031	EXT RETAINING RING 40MM
33A	P5912Z033A	SPINDLE PULLEY ASSEMBLY
36	P5912Z036	SPINDLE 1-1/4
36-2	P5912Z036-2	SPINDLE WRENCH 1-1/2"
36A	P5912Z036A	SPINDLE 3/4"
36B	P5912Z036B	SPINDLE 1"
36B-2	P5912Z036B-2	SPINDLE WRENCH 1"
37-1	P5912Z037-1	PULLEY AND QUILL ASSEMBLY
37A	P5912Z037A	SPINDLE PULLEY ASSEMBLY
38	P5912Z038	KEY 7 X 7 X 40
39A	P5912Z039A	QUILL 7-3/4" LONG V2.01.02
40	P5912Z040	HEX NUT 3/4-16 (LH)
40A	P5912Z040A	HEX NUT 5/8-18 (LH)
41	P5912Z041	HEX NUT 1-14
41A	P5912Z041A	HEX NUT 3/4-16
42	P5912Z042	COLLAR 1-1/4" X 1/4" 1PC
42A	P5912Z042A	COLLAR 1" X 1/4"
42B	P5912Z042B	COLLAR 3/4" X 1/4"

REF	PART #	DESCRIPTION
43	P5912Z043	COLLAR 1-1/4" X 3/8" 1PC
43A	P5912Z043A	COLLAR 1" X 3/8"
44	P5912Z044	COLLAR 1-1/4" X 1/2" 2PC
44A	P5912Z044A	COLLAR 1" X 1/2"
44B	P5912Z044B	COLLAR 3/4" X 1/2"
45	P5912Z045	COLLAR 1-1/4" X 3/4" 2PC
45A	P5912Z045A	COLLAR 1" X 3/4" (2PC)
45B	P5912Z045B	COLLAR 3/4" X 3/4" (2PC)
46	P5912Z046	COLLAR 1-1/4" X 1" 2PC
46A	P5912Z046A	COLLAR 1" X 1" (2PC)
46B	P5912Z046B	COLLAR 3/4" X 1" (2PC)
161	P5912Z161	EXT RETAINING RING 50MM
162	P5912Z162	CAP SCREW M4-.7 X 10
163	P5912Z163	OUTER DUST COVER
164	P5912Z164	INNER DUST COVER
165	P5912Z165	WAVY WASHER
166	P5912Z166	WAVY WASHER
417	P5912Z417	MULTI-WRENCH
419	P5912Z419	HEX WRENCH 3MM
420	P5912Z420	HEX WRENCH 4MM





# Motor Parts List

REF	PART #	DESCRIPTION
7	P5912Z007	HEX NUT 3/8-16
8	P5912Z008	LOCK WASHER 3/8
9	P5912Z009	FLAT WASHER 3/8
14	P5912Z014	HEX BOLT 3/8-16 X 1-1/4
15	P5912Z015	HEX BOLT 3/8-16 X 3/4
39A	P5912Z039A	QUILL 7-3/4" LONG V2.01.02
50	P5912Z050	HEX BOLT 1/4-20 X 5/8
51	P5912Z051	LOCK WASHER 1/4
52	P5912Z052	FLAT WASHER 1/4
53	P5912Z053	LOCK KNOB
54	P5912Z054	BAR LOCK
55	P5912Z055	HEX NUT 5/16-18
56	P5912Z056	HEX BOLT 5/16-18 X 1
57	P5912Z057	SCREW LOCK
58	P5912Z058	WASHER GEAR
59	P5912Z059	GEAR
60	P5912Z060	COLLAR
61	P5912Z061	KEY 4 X 4 X 16
62	P5912Z062	BASE GEAR SHAFT
63	P5912Z063	SHAFT GEAR
64	P5912Z064	BASE SPINDLE
65	P5912Z065	FLAT WASHER 1/2
66	P5912Z066	LOCK NUT 1/2"-12
67	P5912Z067	CAP SCREW 3/8-16 X 1-1/4
68	P5912Z068	SCREW 3/8-16 X 1-1/4
69	P5912Z069	COLLAR
70	P5912Z070	V-BELT A-30 4L300
71	P5912Z071	V-BELT A-28 4L280
72	P5912Z072	KEY 7 X 7 X 50

REF	PART #	DESCRIPTION
73	P5912Z073	MOTOR PULLEY
74	P5912Z074	HEX BOLT 3/8-16 X 1-1/2
75	P5912Z075	FLAT WASHER 5/16
76	P5912Z076	LOCK WASHER 5/16
77	P5912Z077	CAP SCREW 5/16-18 X 1
78	P5912Z078	COMPRESSION SPRING 3.4 X 20.3
79	P5912Z079	KEY 3/8 X 3/4 X 1
81	P5912Z081	SHAFT
82	P5912Z082	FLAT WASHER 1/2
83	P5912Z083	MOTOR BASE
84	P5912Z084	KNOB
85	P5912Z085	LOCK WASHER 1/2
86	P5912Z086	HEX BOLT 1/2-20 X 1
87	P5912Z087	POINTER
88	P5912Z088	PHLP HD SCR 10-24 X 3/8
89	P5912Z089	HEX BOLT 5/16-18 X 3/4
90	P5912Z090	SHAFT GUIDE
91	P5912Z091	PLATE
92	P5912Z092	MOTOR PLATE
93	P5912Z093	SHAFT GEAR
94	P5912Z094	BASE GEAR SHAFT
95	P5912Z095	HANDWHEEL (METAL)
96	P5912Z096	HANDLE
97	P5912Z097	HEX BOLT 1/4-20 X 1
98	P5912Z098	HEX NUT 1/4-20
102	P5912Z102	SET SCREW 10-32 X 3/16
103	P5912Z103	SET SCREW 3/8-16 X 1
104	P5912Z104	SET SCREW 3/8-16 X 1/2

## G5912Z 5HP 1-PH MOTOR

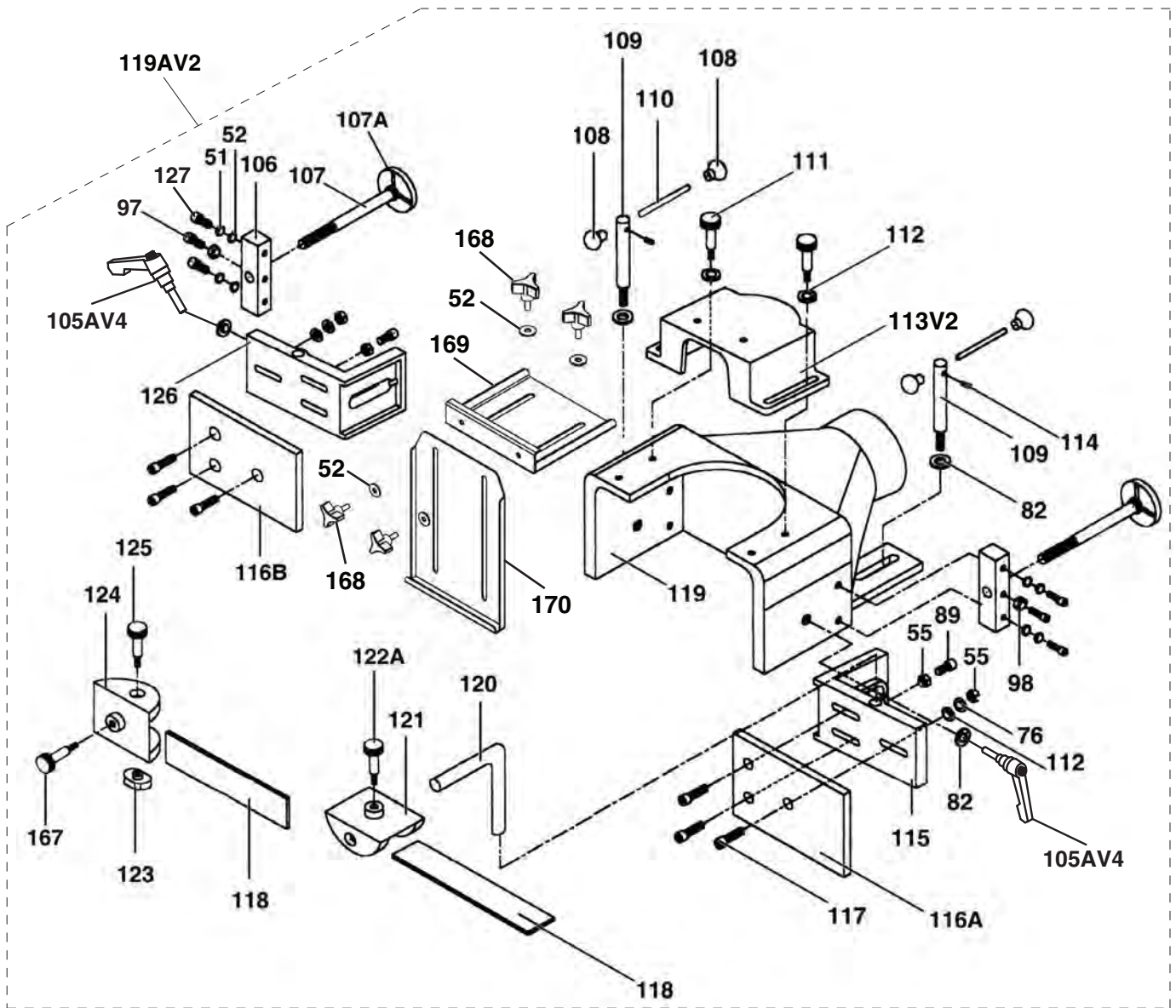
REF	PART #	DESCRIPTION
80	P5912Z080	MOTOR 5HP, 220V, 1-PH
80-1	P5912Z080-1	MOTOR FAN COVER
80-2	P5912Z080-2	MOTOR FAN
80-3	P5912Z080-3	CAPACITOR COVER
80-4	P5912Z080-4	MOTOR JUNCTION BOX
80-5	P5912Z080-5	CENT SWITCH 1/2-3450
80-6	P5912Z080-6	CONTACT PLT-TUNGSTEN 5HP
80-7	P5912Z080-7	S CAP 400M 125V 1-3/4 X 3-3/8
80-8	P5912Z080-8	R CAPR 50M 250V 1-3/4 X 2-3/4
80-9	P5912Z080-9	REAR MOTOR BEARING
80-10	P5912Z080-10	FRONT MOTOR BEARING

## G7214Z 7½HP 3-PH MOTOR

REF	PART #	DESCRIPTION
80	P7214Z080	MOTOR 7.5HP, 220V/440V, 3-PH
80-1	P7214Z080-1	MOTOR FAN COVER
80-2	P7214Z080-2	MOTOR FAN
80-3	P7214Z080-3	MOTOR JUNCTION BOX



# Fence Guard



# Fence Guard Parts List

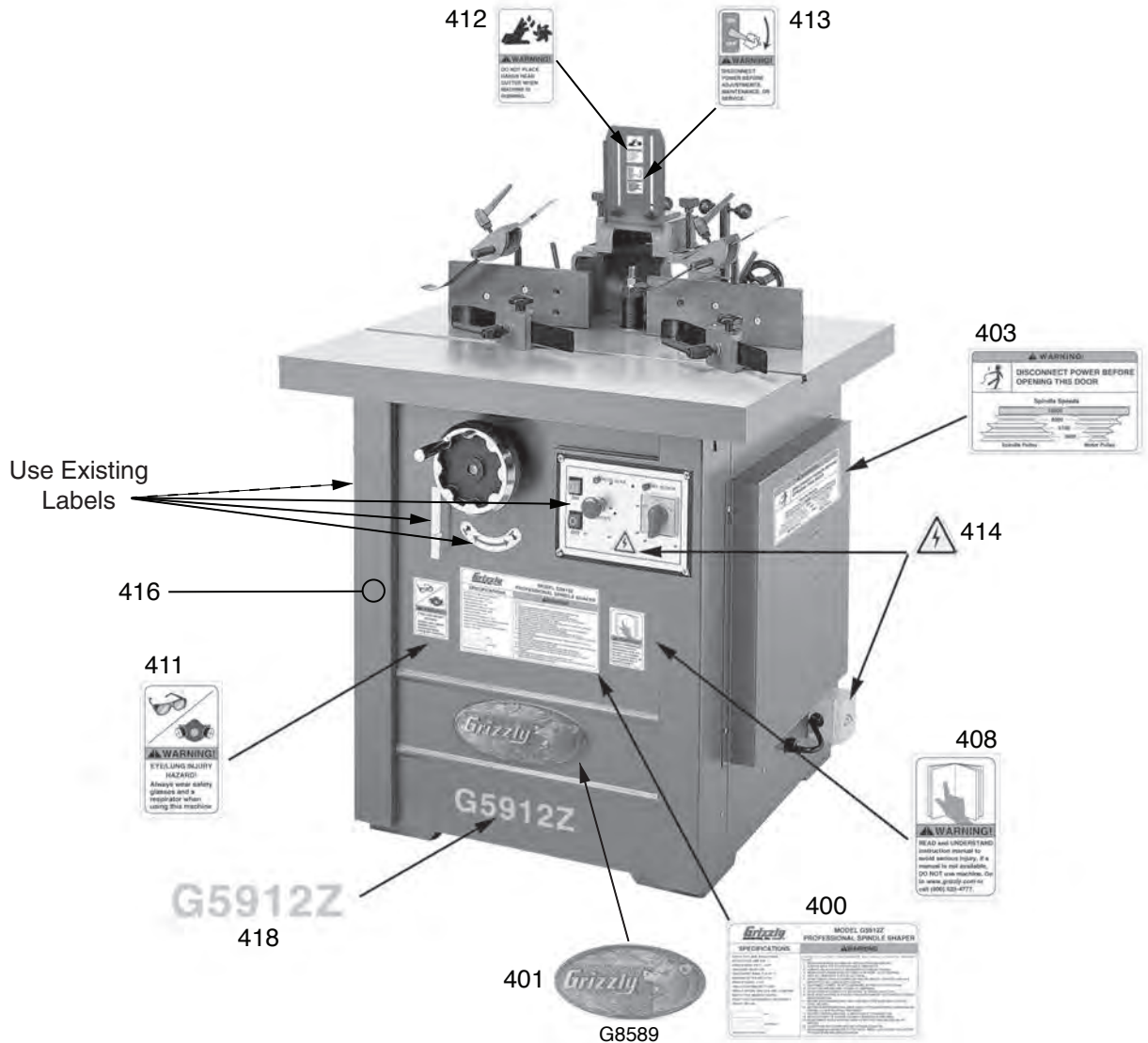
REF	PART #	DESCRIPTION
51	P5912Z051	LOCK WASHER 1/4
52	P5912Z052	FLAT WASHER 1/4
55	P5912Z055	HEX NUT 5/16-18
76	P5912Z076	LOCK WASHER 5/16
82	P5912Z082	FLAT WASHER 1/2
89	P5912Z089	HEX BOLT 5/16-18 X 3/4
97	P5912Z097	HEX BOLT 1/4-20 X 1
98	P5912Z098	HEX NUT 1/4-20
105AV4	P5912Z105AV4	ADJ HANDLE 1/2-12 V4.03.16
106	P5912Z106	BRACKET SCREW GUIDE
107	P5912Z107	SCREW GUIDE ASSY
107A	P5912Z107A	HANDWHEEL
108	P5912Z108	BALL KNOB 3/8-16 (PLASTIC)
109	P5912Z109	SHAFT GUIDE
110	P5912Z110	BAR
111	P5912Z111	KNOB 5/16-18
112	P5912Z112	FLAT WASHER 5/16
113V2	P5912Z113V2	CUTTER GUARD COVER V2.01.17
114	P5912Z114	SET SCREW 1/4-20 X 1/4

REF	PART #	DESCRIPTION
115	P5912Z115	BRACKET ASSY FENCE RH
116A	P5912Z116A	WOOD FENCE (RIGHT)
116B	P5912Z116B	WOOD FENCE (LEFT)
117	P5912Z117	FLAT HD SCR 5/16-18 X 1-1/2
118	P5912Z118	HOLD DOWN PLATE
119	P5912Z119	CUTTER GUARD/DUST HOOD
119AV2	P5912Z119AV2	COMPLETE FENCE ASSY V2.01.17
120	P5912Z120	BAR
121	P5912Z121	RETAINER (L) 5/8"
122A	P5912Z122A	KNOB BOLT 3/8-16 X 1 V2.10.02
123	P5912Z123	NUT 3/8
124	P5912Z124	RETAINER (S) 1/2"
125	P5912Z125	KNOB
126	P5912Z126	BRACKET ASSY FENCE LH
127	P5912Z127	HEX BOLT 1/4-20 X 1-1/2
167	P5912Z167	KNOB BOLT 3/8-16 X 1
168	P5912Z168	KNOB BOLT 1/4-20 X 1/2
169	P5912Z169	FRONT GUARD EXTENSION PLATE
170	P5912Z170	FRONT SPINDLE ENCLOSURE GUARD





# Labels & Cosmetics



REF	PART #	DESCRIPTION
400	P5912Z400	MACHINE ID LABEL (G5912Z)
400	P7214Z400	MACHINE ID LABEL (G7214Z)
401	P5912Z401	GRIZZLY NAMEPLATE
403	P5912Z403	SPEED CHANGE LABEL
408	P5912Z408	READ MANUAL LABEL
411	P5912Z411	GLASSES/RESPIRATOR LABEL

REF	PART #	DESCRIPTION
412	P5912Z412	HAND NEAR CUTTER LABEL
413	P5912Z413	DISCONNECT POWER LABEL
414	P5912Z414	ELECTRICITY LABEL
416	P5912Z416	TOUCH-UP PAINT, GRIZZLY GREEN
418	P5912Z418	MODEL NUMBER LABEL (G5912Z)
418	P7214Z418	MODEL NUMBER LABEL (G7214Z)

## WARNING

Safety labels help reduce the risk of serious injury caused by machine hazards. If any label comes off or becomes unreadable, the owner of this machine **MUST** replace it in the original location before resuming operations. For replacements, contact (800) 523-4777 or [www.grizzly.com](http://www.grizzly.com).

