

READ THIS FIRST



Model G5913Z/G7215Z/G8622

*****IMPORTANT UPDATE*****

For Machines Mfd. Since 1/17
and Owner's Manual Printed 2001

For questions or help with this product contact Tech Support at (570) 546-9663 or techsupport@grizzly.com

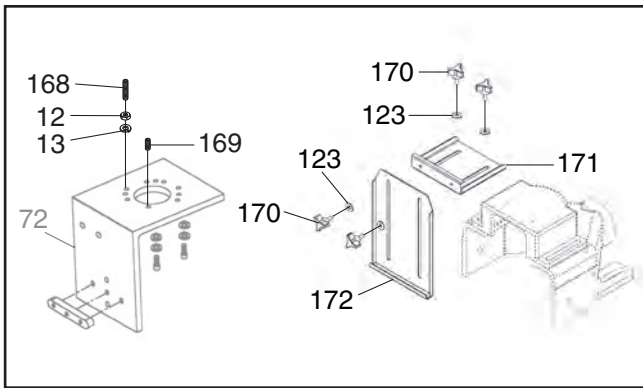
The following changes were recently made to this machine since the owner's manual was printed:

- Added an additional spindle enclosure guard.
- Changed spindle cartridge support fasteners.

Aside from this information, all other content in the owner's manual applies and **MUST** be read and understood for your own safety. **IMPORTANT: Keep this update with the owner's manual for future reference.**

For questions or help, contact our Tech Support at (570) 546-9663 or techsupport@grizzly.com.

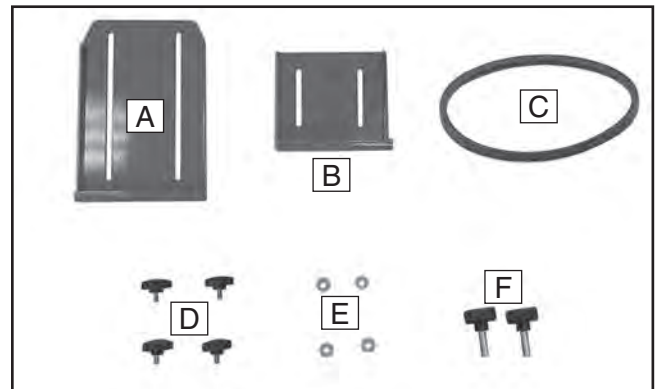
New Parts



REF	PART #	DESCRIPTION
12	P5913Z012	HEX NUT 3/8-16
13	P5913Z013	LOCK WASHER 3/8
123	P5913Z123	LOCK WASHER 1/4
168	P5913Z168	SET SCREW 3/8-16 X 1
169	P5913Z169	SET SCREW 3/8-16 X 1/2
170	P5913Z170	KNOB BOLT 1/4-20 X 1/2
171	P5913Z171	FRONT GUARD EXTENSION PLATE
172	P5913Z172	FRONT SPINDLE ENCLOSURE GUARD

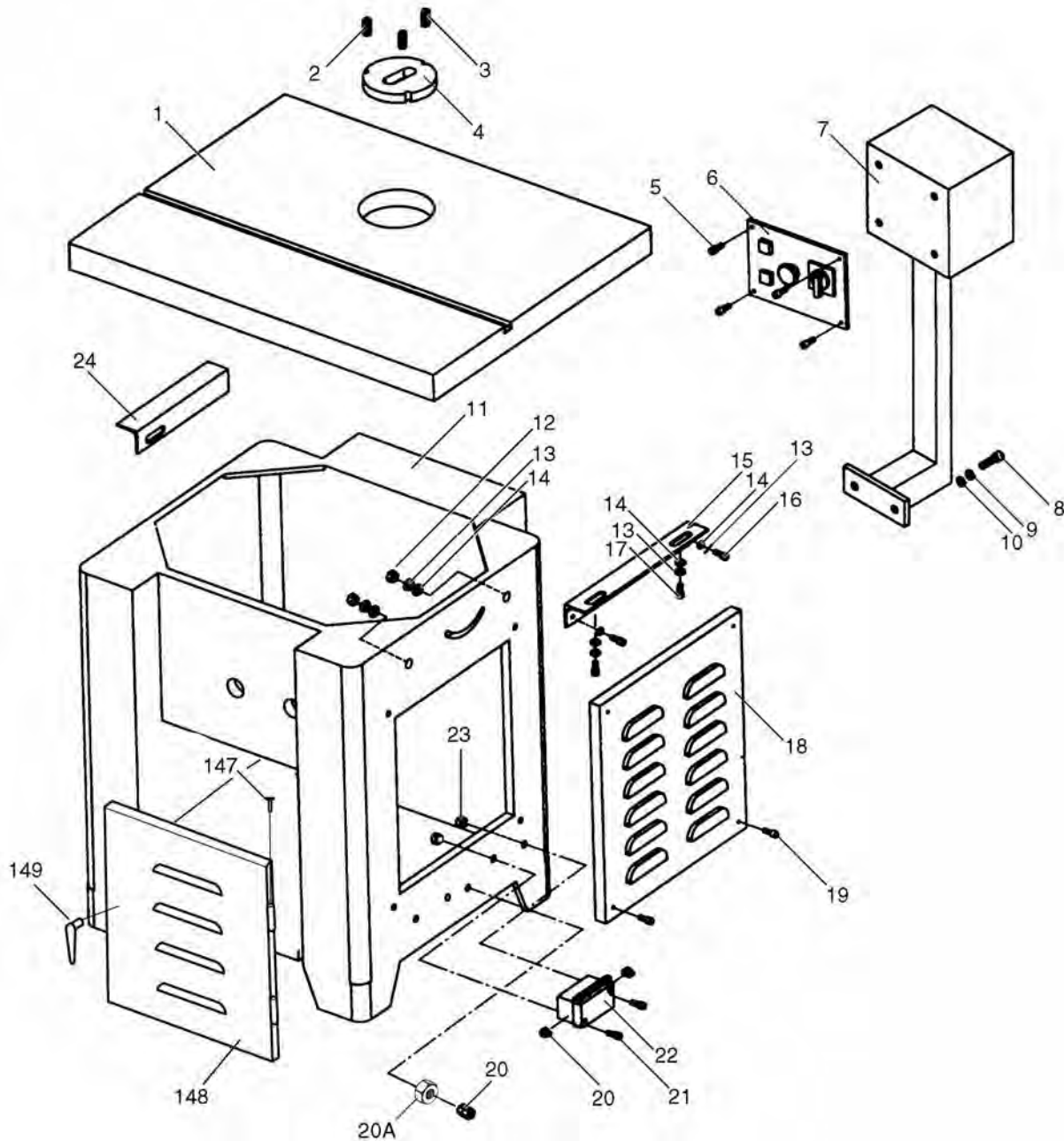
New Inventory

Inventory	Qty
A. Front Spindle Enclosure Guard.....	1
B. Front Guard Extension Plate.....	1
C. V-Belt A28 (G8622).....	1
D. Knob Bolts 1/4"-20 x 1/2"	2
E. Flat Washers 1/4".....	4
F. Knob Bolts 3/8"-16 x 1" (G5913Z, G7215Z). 2	
F. Knob Bolts 3/8"-16 x 1" (G8622).....	4
G. Spacer Set (G8622—Not Shown).....	22



COPYRIGHT © MARCH, 2017 BY GRIZZLY INDUSTRIAL, INC.
WARNING: NO PORTION OF THIS MANUAL MAY BE REPRODUCED IN ANY SHAPE OR FORM WITHOUT THE WRITTEN APPROVAL OF GRIZZLY INDUSTRIAL, INC.
 #BL18760 PRINTED IN TAIWAN

Cabinet Parts Breakdown



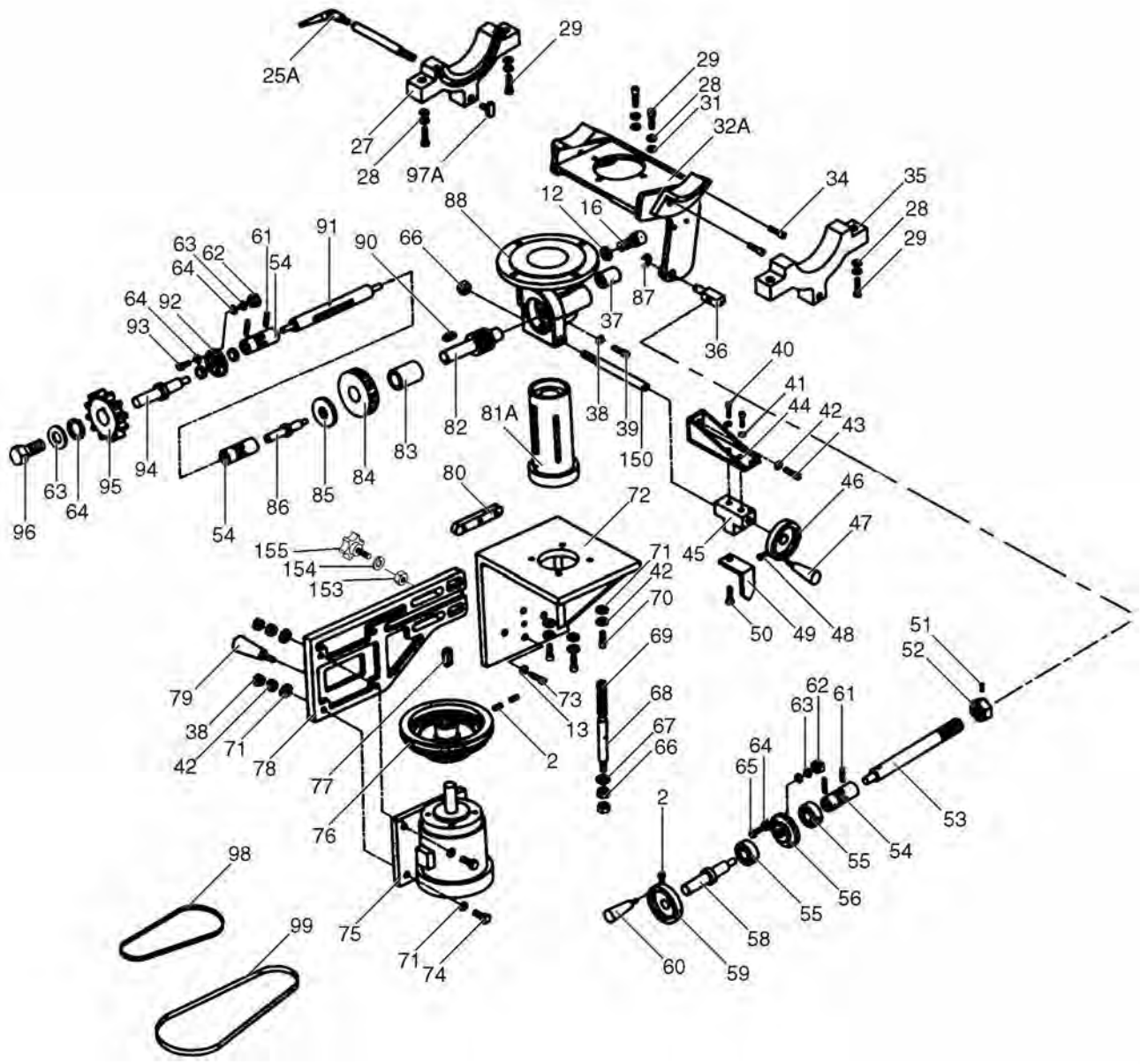
Cabinet Parts List

REF	PART #	DESCRIPTION
1	P5913Z001	TABLE
2	P5913Z002	SET SCREW 5/16-24 X 5/8
3	P5913Z003	PHLP HD SCR 10-20 X 3/4
4	P5913Z004	TABLE INSERT
5	P5913Z005	PHLP HD SCR 1/4-20 X 1/2
6	P5913Z006	SWITCH ASSY 5 HP (G5912Z)
6	P7215Z006	SWITCH ASSY 7.5 HP (G7215Z)
7	P5913Z007	SWITCH PEDESTAL ARM
8	P5913Z008	HEX BOLT 3/8-16 X 1-1/2
9	P5913Z009	FLAT WASHER 3/8
10	P5913Z010	HEX NUT 3/8-16
11	P5913Z011	STAND ASSEMBLY
12	P5913Z012	HEX NUT 3/8-16
13	P5913Z013	LOCK WASHER 3/8
14	P5913Z014	FLAT WASHER 3/8

REF	PART #	DESCRIPTION
15	P5913Z015	TABLE BRACE (R)
16	P5913Z016	HEX BOLT 3/8-16 X 1
17	P5913Z017	HEX BOLT 3/8-16 X 3/4
18	P5913Z018	MOTOR COVER
19	P5913Z019	PHLP HD SCR 1/4-20 X 3/4
20	P5913Z020	CONNECTOR
20A	P5913Z020A	CONNECTOR NUT
21	P5913Z021	PHLP HD SCR 10-24 X 3/4
22	P5913Z022	ELECTRICAL BOX
23	P5913Z023	HEX NUT 10-24
24	P5913Z024	TABLE BRACE (L)
147	P5913Z147	PIN
148	P5913Z148	COVER
149	P5913Z149	COVER HANDLE



Motor Parts Breakdown



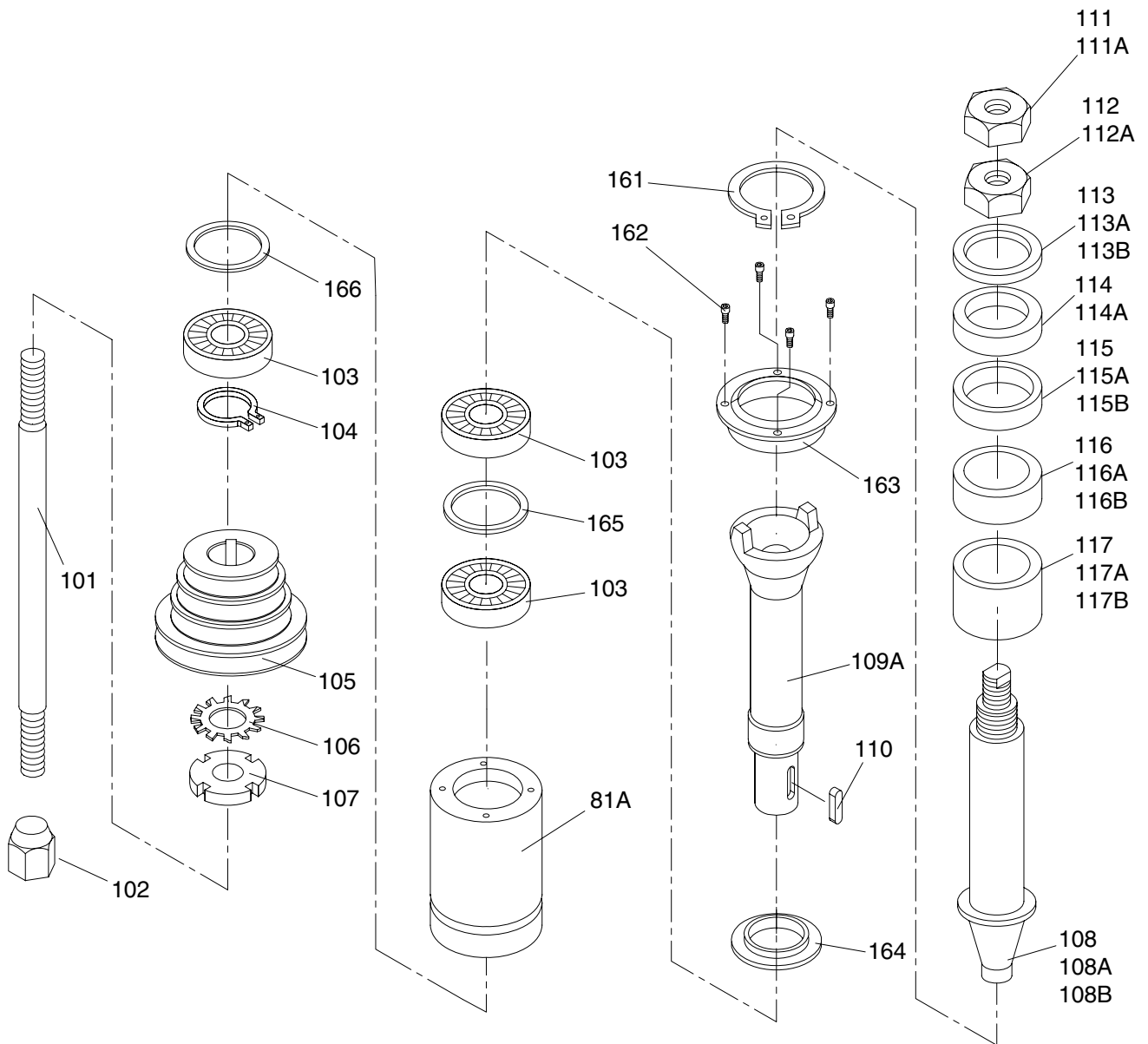
Motor Parts List

REF	PART #	DESCRIPTION
2	P5913Z003	SET SCREW 5/16-24 X 5/8
12	P5913Z012	HEX NUT 3/8-16
13	P5913Z013	LOCK WASHER 3/8
16	P5913Z016	HEX BOLT 3/8-16 X 1
25A	P5913Z025A	HANDLE LOCK
27	P5913Z027	TRUNNION SUPPORT (L)
28	P5913Z028	LOCK WASHER 3/8
29	P5913Z029	CAP SCREW 3/8-16 X 1-1/4
31	P5913Z031	FLAT WASHER 3/8
32A	P5913Z032A	TRUNNION BRACKET
34	P5913Z034	CAP SCREW 3/8-16 X 1-1/4
35	P5913Z035	TRUNNION SUPPORT (R)
36	P5913Z036	HEX SHAFT 5/8-11
37	P5913Z037	COLLAR
38	P5913Z038	HEX NUT 5/16-18
39	P5913Z039	HEX BOLT 5/16-18 X 1
40	P5913Z040	HEX BOLT 1/4-20 X 5/8
41	P5913Z041	FLAT WASHER 1/4
42	P5913Z042	FLAT WASHER 5/16
43	P5913Z043	HEX BOLT 5/16-18 X 3/4
44	P5913Z044	FIXED SOCKET
45	P5913Z045	FIXED T-SOCKET
46	P5913Z046	HANDWHEEL
47	P5913Z047	HANDLE
48	P5913Z048	SET SCREW 5/16-18 X 1/2
49	P5913Z049	POINTER
50	P5913Z050	PHLP HD SCR 10-24 X 1/4
51	P5913Z051	SET SCREW 1/4-20 X 1/4
52	P5913Z052	HEX NUT 5/8-11
53	P5913Z053	WORM SHAFT
54	P5913Z054	UNIVERSAL JOINT
55	P5913Z055	THRUST BEARING 15 X 32 X 12
56	P5913Z056	BASE GEAR SHAFT
58	P5913Z058	BAR LOCK
59	P5913Z059	HANDWHEEL
60	P5913Z060	HANDLE
61	P5913Z061	KEY 5 X 5 X 30
62	P5913Z062	HEX NUT 1/4-20
63	P5913Z063	LOCK WASHER 1/4
64	P5913Z064	FLAT WASHER 1/4

REF	PART #	DESCRIPTION
65	P5913Z065	HEX BOLT 1/4-20 X 1-1/4
66	P5913Z066	HEX NUT 1/2-13
67	P5913Z067	FLAT WASHER 1/2
68	P5913Z068	SHAFT SPRING 3/8 x 340
69	P5913Z069	SPRING - HELICAL 3.4 X 20.3
70	P5913Z070	CAP SCREW 5/16-18 X 1
71	P5913Z071	FLAT WASHER 5/16
72	P5913Z072	MOTOR PLATE
73	P5913Z073	HEX BOLT 3/8-16 X 3/4
74	P5913Z074	HEX BOLT 5/16-18 X 1-1/4
75	P5913Z075	MOTOR 5 HP (G5913Z)
75	P7215Z075	MOTOR 7-1/2 HP (G7215Z)
76	P5913Z076	MOTOR PULLEY
77	P5913Z077	KEY 8 X 8 X 40
78	P5913Z078	MOTOR BASE
79	P5913Z079	KNOB
80	P5913Z080	KEY 3/4 X 3/4 X 1
81A	P5913Z081A	QUILL
82	P5913Z082	GEAR SHAFT
83	P5913Z083	COLLAR
84	P5913Z084	GEAR
85	P5913Z085	GEAR WASHER
86	P5913Z086	LOCK SCREW
87	P5913Z087	EXT RETAINING RING 15MM
88	P5913Z088	SPINDLE BASE
90	P5913Z090	KEY 4 X 4 X 16
91	P5913Z091	LOCK BAR
92	P5913Z092	BASE GEAR
93	P5913Z093	HEX BOLT 1/4-20 X 1
94	P5913Z094	LOCK SCREW
95	P5913Z095	HANDWHEEL
96	P5913Z096	HEX BOLT 1/4-20 X 5/8
97A	P5913Z097A	T-TYPE NUT 3/8-16
98	P5913Z098	V-BELT A-30 4L300
99	P5913Z099	V-BELT A-28 4L280
150	P5913Z150	SHAFT GEAR
152	P5913Z152	LOCK WASHER 1/2
153	P5913Z153	FLAT WASHER 1/2
155	P5913Z155	KNOB



Spindle Parts Breakdown



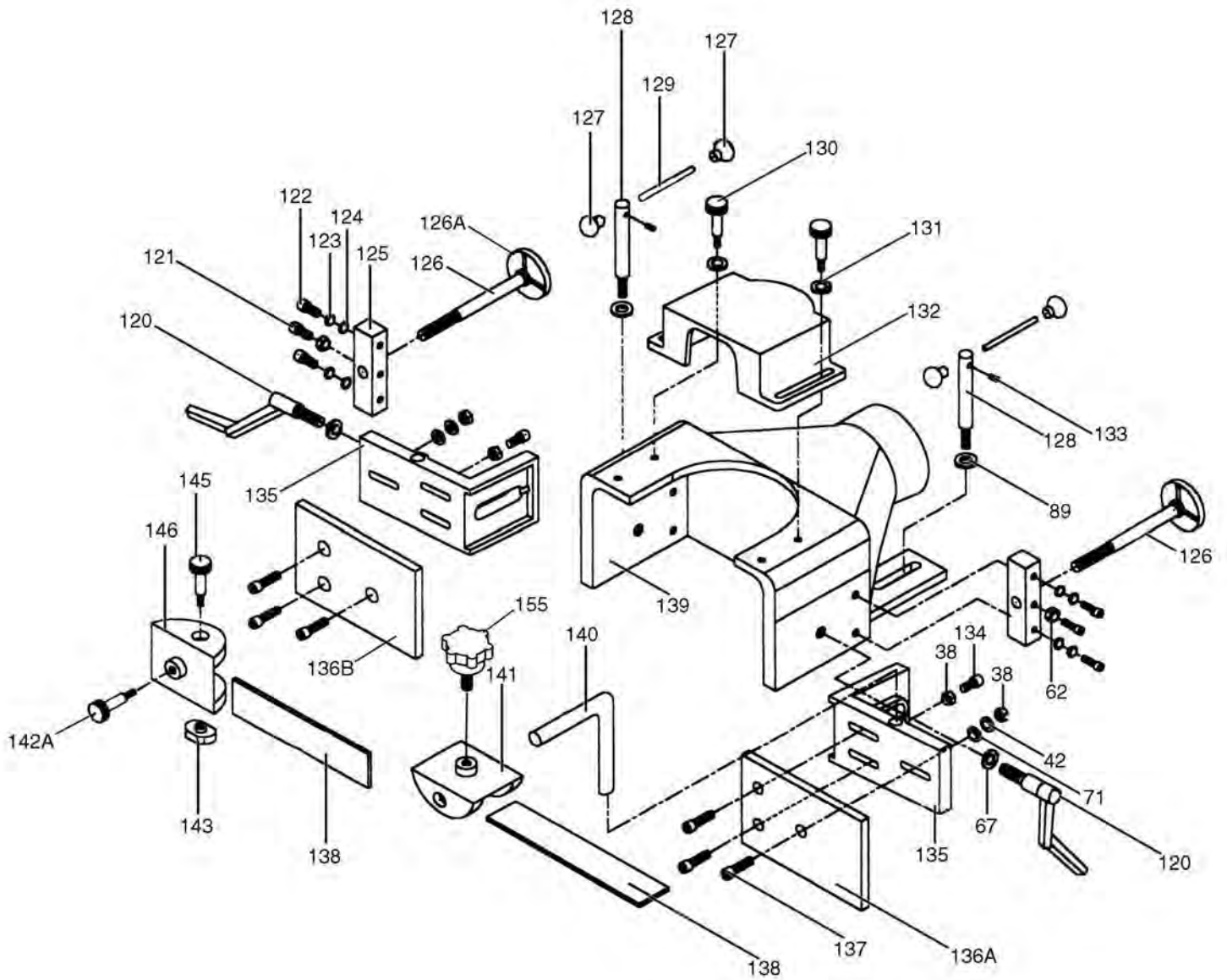
Spindle Parts List

REF	PART #	DESCRIPTION
81A	P5913Z081A	QUILL NS-3/07
101	P5913Z101	LOCK BOLT 5/8
102	P5913Z102	LOCK NUT 5/8-11
103	P5913Z103	BALL BEARING 6008ZZ-K
104	P5913Z104	INT RETAINING RING 40MM
105	P5913Z105	SPINDLE PULLEY
106	P5913Z106	EXT TOOTH WASHER 30MM
107	P5913Z107	SPANNER NUT
108	P5913Z108	SPINDLE 1-1/4"
108A	P5913Z108A	SPINDLE 3/4"
108B	P5913Z108B	SPINDLE 1"
109A	P5913Z109A	SPINDLE CARTRIDGE NS-3/07
110	P5913Z110	KEY 7 X 7 X 40
111	P5913Z111	HEX NUT 3/4-16 (LH) (FOR 1" AND 1-1/4" SPINDLES)
111A	P5913Z111A	HEX NUT 5/8-18 (LH) (FOR 3/4" SPINDLE)
112	P5913Z112	HEX NUT 1-14 (FOR 1" AND 1-1/4" SPINDLES)
112A	P5913Z112A	HEX NUT 3/4-16 (FOR 3/4" SPINDLE)
113	P5913Z113	COLLAR 1-1/4" X 1/4" (1PC)
113A	P5913Z113A	COLLAR 1" X 1/4"

REF	PART #	DESCRIPTION
113B	P5913Z113B	COLLAR 3/4" X 1/4"
114	P5913Z114	COLLAR 1-1/4" X 3/8" (1PC)
114A	P5913Z114A	COLLAR 1" X 3/8"
115	P5913Z115	COLLAR 1-1/4" X 1/2" (2PC)
115A	P5913Z115A	COLLAR 1" X 1/2"
115B	P5913Z115B	COLLAR 3/4" X 1/2"
116	P5913Z116	COLLAR 1-1/4" X 3/4" (2PC)
116A	P5913Z116A	COLLAR 1" X 3/4" (2PC)
116B	P5913Z116B	COLLAR 3/4" X 3/4" (2PC)
117	P5913Z117	COLLAR 1-1/4" X 1" (2PC)
117A	P5913Z117A	COLLAR 1" X 1" (2PC)
117B	P5913Z117B	COLLAR 3/4" X 1" (2PC)
161	P5913Z161	EXT RETAINING RING 50MM
162	P5913Z162	CAP SCREW M4-7 X 10
163	P5913Z163	OUTER DUST COVER
164	P5913Z164	INNER DUST COVER
165	P5913Z165	ALTERNATING RING
166	P5913Z166	WAVY RING



Fence Guard Breakdown



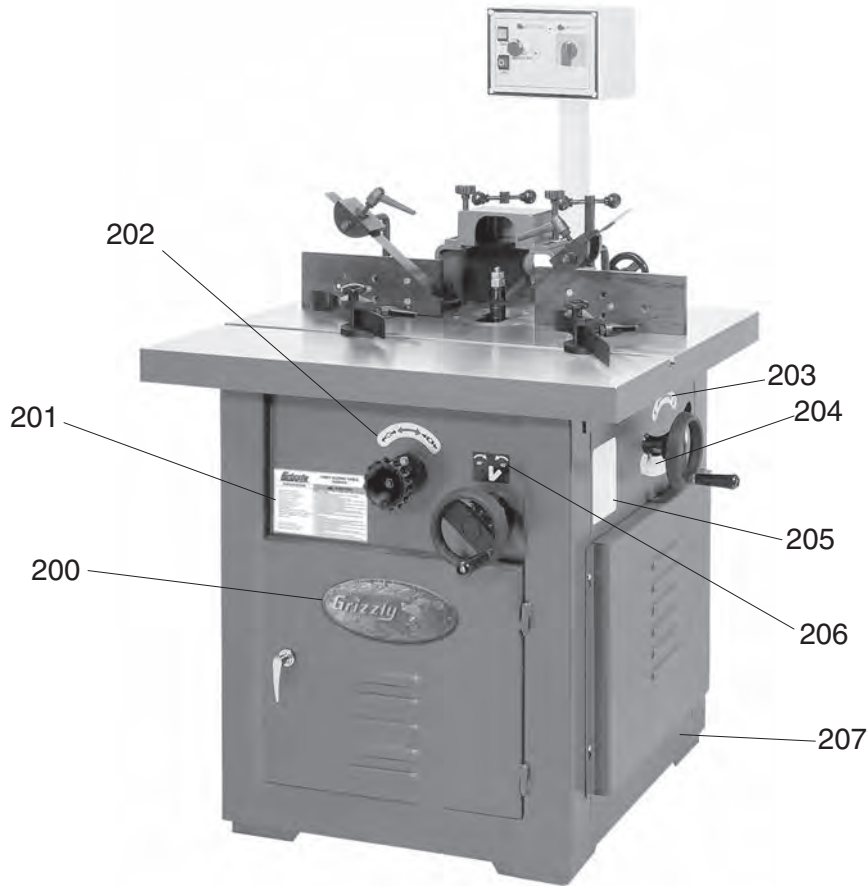
Fence Guard Parts List

REF	PART #	DESCRIPTION
38	P5913Z038	HEX NUT 5/16-18
42	P5913Z042	FLAT WASHER 5/16
62	P5913Z062	HEX NUT 1/4-20
67	P5913Z067	FLAT WASHER 1/2
71	P5913Z071	FLAT WASHER 5/16
89	P5913Z089	FLAT WASHER 1/2
120	P5913Z120	HANDLE LOCK
121	P5913Z121	HEX BOLT 1/4-20 X 3/4
122	P5913Z122	HEX BOLT 1/4-20 X 1/2
123	P5913Z123	LOCK WASHER 1/4
124	P5913Z124	FLAT WASHER 1/4
125	P5913Z125	GUIDESCREW BRACKET
126	P5913Z126	GUIDESCREW
126A	P5913Z126A	HANDWHEEL
127	P5913Z127	KNOB
128	P5913Z128	GUIDE SHAFT
129	P5913Z129	BAR
130	P5913Z130	KNOB

REF	PART #	DESCRIPTION
131	P5913Z131	FLAT WASHER 5/16
132	P5913Z132	GUARD PLATE
133	P5913Z133	SET SCREW 1/4-20 X 1/4
134	P5913Z134	HEX BOLT 5/16-18 X 3/4
135	P5913Z135	FENCE BRACKET ASSY RH
136A	P5913Z136A	WOODEN FENCE (R)
136B	P5913Z136B	WOODEN FENCE (L)
137	P5913Z137	PH SCREW 5/16-18 X 1-1/4
138	P5913Z138	HOLD-DOWN PLATE
139	P5913Z139	GUARD
140	P5913Z140	HOLD-DOWN BAR
141	P5913Z141	HOLD-DOWN BRACKET
142A	P5913Z142A	KNOB BOLT 3/8-16 X 1
143	P5913Z143	HEX NUT
144	P5913Z144	FENCE BRACKET ASSY LH
145	P5913Z145	KNOB
146	P5913Z146	HOLD-DOWN BRACKET
155	P5913Z155	KNOB



Safety Label Parts Breakdown



REF	PART #	DESCRIPTION
200	P5913Z200	GRIZZLY LOGO PLATE
201	P5913Z201	MACHINE ID LABEL
202	P5913Z202	LOCK/UNLOCK LABEL
203	P5913Z203	ROTATION LABEL

REF	PART #	DESCRIPTION
204	P5913Z204	TILT ANGLE SCALE
205	P5913Z205	PULLEY SPEED LABEL
206	P5913Z206	TILT HANDWHEEL LABEL
207	P5913Z207	"GRIZZLY GREEN" TOUCH-UP PAINT

WARNING

Safety labels warn about machine hazards and ways to prevent injury. The owner of this machine **MUST** maintain the original location and readability of the labels on the machine. If any label is removed or becomes unreadable, **REPLACE** that label before using the machine again. Contact Grizzly at (800) 523-4777 or www.grizzly.com to order new labels.

