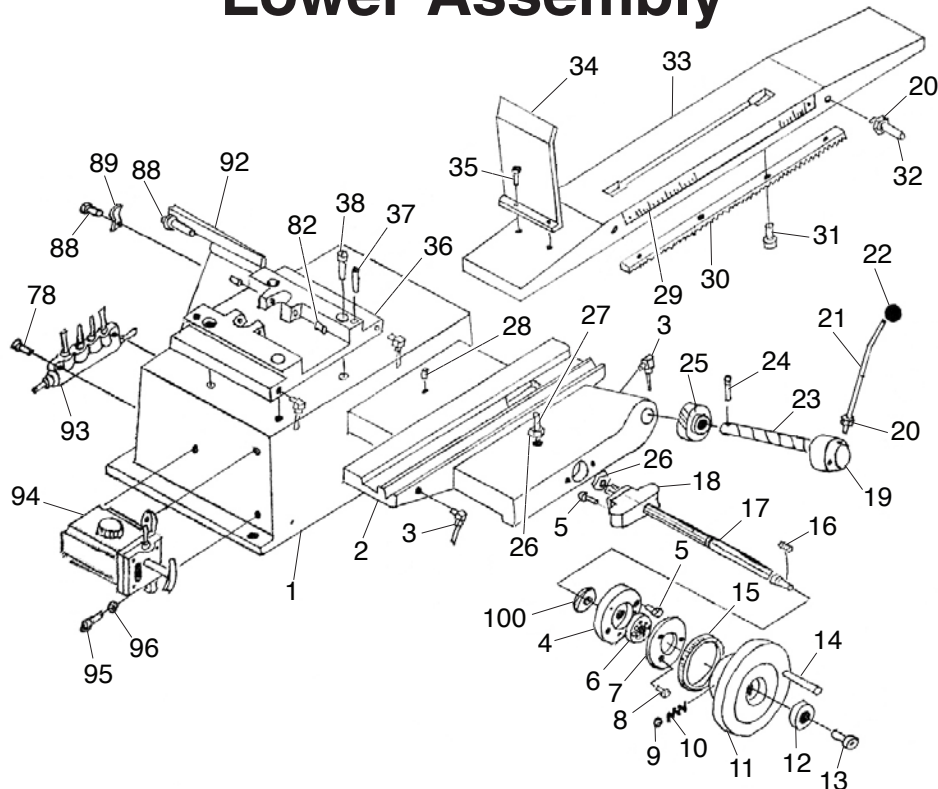


SECTION 9: PARTS

Lower Assembly

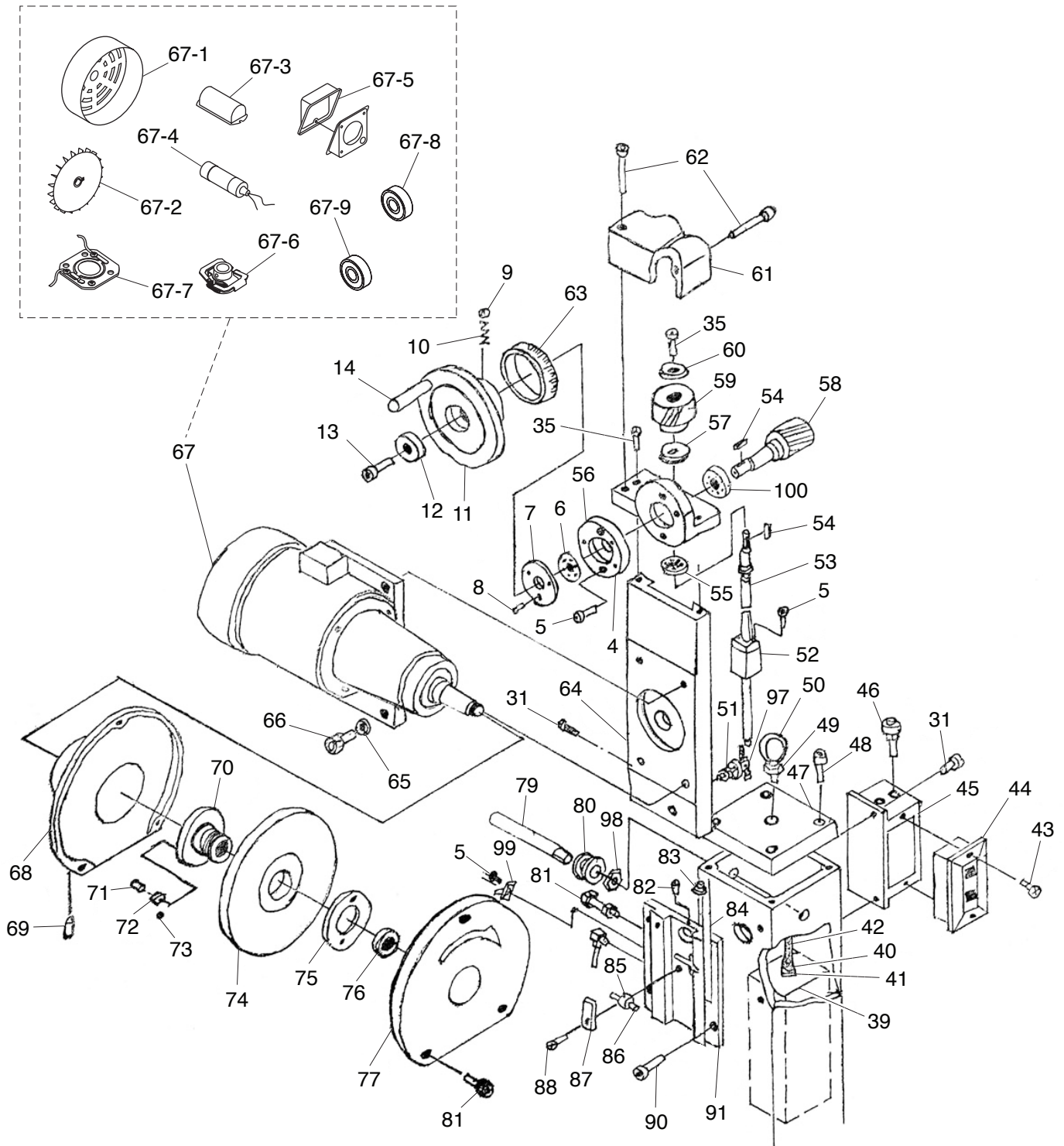


REF	PART #	DESCRIPTION
1	P5963001	BASE
2	P5963002	SADDLE
3	P5963003	OIL PIPE ELBOW
4	P5963004	BEARING BLOCK
5	P5963005	CAP SCREW M5-.8 X 16
6	P5963006	BALL BEARING 6202ZZ
7	P5963007	LOCK PLATE 28.5
8	P5963008	PHLP HD SCR M5-.8 X 10
9	P5963009	STEEL BALL 6MM
10	P5963010	COMPRESSION SPRING 6.7 X 9
11	P5963011	HANDWHEEL
12	P5963012	HANDWHEEL FLAT WASHER 6MM
13	P5963013	CAP SCREW M6-1 X 16
14	P5963014	HANDWHEEL HANDLE
15	P5963015	GRADUATED DIAL
16	P5963016	KEY 4 X 4 X 16
17	P5963017	CROSS FEED LEADSCREW 5/8-10 X 34
18	P5963018	CROSS FEED LEADSCREW NUT 5/8-10
19	P5963019	LONGITUDINAL HANDWHEEL HUB
20	P5963020	HEX NUT M8-1.25
21	P5963021	LONGITUDINAL HANDWHEEL SPOKE
22	P5963022	SPOKE KNOB
23	P5963023	LONGITUDINAL LEADSCREW
24	P5963024	TAPERED PIN 5 X 30
25	P5963025	CROSS FEED HELICAL GEAR

REF	PART #	DESCRIPTION
26	P5963026	HEX NUT M10-1.25
27	P5963027	TABLE STOP PIN
28	P5963028	BALL OILER 8MM TAP-IN
29	P5963029	LONGITUDINAL SCALE
30	P5963030	TABLE RACK
31	P5963031	CAP SCREW M6-1 X 12
32	P5963032	TABLE LIMIT PIN
33	P5963033	SLIDING TABLE
34	P5963034	CHIP GUARD
35	P5963035	CAP SCREW M6-1 X 20
36	P5963036	SADDLE BASE
37	P5963037	TAPERED PIN 6 X 40
38	P5963038	CAP SCREW M10-1.25 X 35
78	P5963078	SET SCREW M6-1 X 25
82	P5963082	HEX BOLT M8-1.25 X 20 CUP-PT
88	P5963088	PHLP HD SCR M5-.8 X 8
89	P5963089	OIL PIPE CLAMP
92	P5963092	SADDLE GIB
93	P5963093	OIL MANIFOLD
94	P5963094	ONE-SHOT OILER 8CC
95	P5963095	CAP SCREW M6-1 X 16
96	P5963096	LOCK WASHER 6MM
100	P5963100	THRUST BEARING 51102
103	P5963103	STAND ASSEMBLY (NOT SHOWN)



Upper Assembly



Please Note: We do our best to stock replacement parts whenever possible, but we cannot guarantee that all parts shown here are available for purchase. Call (800) 523-4777 or visit our online parts store at www.grizzly.com to check for availability.



Upper Assembly

REF	PART #	DESCRIPTION
39	P5963039	ELEVATION COUNTERWEIGHT
40	P5963040	EYE BOLT M16-2 X 56
41	P5963041	CABLE CLIP
42	P5963042	STEEL CABLE 3MM
43	P5963043	PHLP HD SCR M5-.8 X 6
44	P5963044	ON/OFF SWITCH KEDU KJD12 220-240V
45	P5963045	SWITCH BOX
46	P5963046	INDICATOR LIGHT
47	P5963047	COLUMN TOP COVER
48	P5963048	CAP SCREW M10-1.25 X 25
49	P5963049	HEX NUT M16-2
50	P5963050	EYE BOLT M16-2 X 28
51	P5963051	ADJUSTMENT SCREW M8-1.25 X 34
52	P5963052	ELEVATION LEADSCREW NUT 1/2-10 X 51
53	P5963053	ELEVATION LEADSCREW 1/2-10 X 318
54	P5963054	KEY 4 X 4 X 20
55	P5963055	BALL BEARING 6209ZZ
56	P5963056	WORM SHAFT BRACKET
57	P5963057	THRUST BEARING 51102
58	P5963058	WORM SHAFT
59	P5963059	BEVEL GEAR
60	P5963060	GEAR FLAT WASHER 6MM
61	P5963061	GEAR COVER
62	P5963062	CAP SCREW M6-1 X 55
63	P5963063	GRADUATED DIAL
64	P5963064	SLIDE BASE
65	P5963065	FLAT WASHER 10MM
66	P5963066	HEX BOLT M10-1.5 X 35
67	P5963067	MOTOR 3/4HP 115V/230V 1-PH
67-1	P5963067-1	MOTOR FAN COVER
67-2	P5963067-2	MOTOR FAN

REF	PART #	DESCRIPTION
67-3	P5963067-3	CAPACITOR COVER
67-4	P5963067-4	R CAPACITOR 40M 300V
67-5	P5963067-5	MOTOR JUNCTION BOX
67-6	P5963067-6	CENTRIFUGAL SWITCH
67-7	P5963067-7	CONTACT PLATE
67-8	P5963067-8	FRONT MOTOR BEARING
67-9	P5963067-9	REAR MOTOR BEARING
68	P5963068	REAR WHEEL COVER
69	P5963069	HEX BOLT M8-1.25 X 10 CUP-PT
70	P5963070	WHEEL SLEEVE
71	P5963071	SET SCREW M6-1 X 6
72	P5963072	BALANCE WEIGHT
73	P5963073	STEEL BALL 4MM
74	P5963074	GRINDING WHEEL 7"D X 1/2"W X 1-1/4"B
75	P5963075	WHEEL SLEEVE WASHER
76	P5963076	SPINDLE NUT M16-1.5
77	P5963077	WHEEL GUARD
79	P5963079	PULLEY SHAFT
80	P5963080	UPPER ELEVATION PULLEY
81	P5963081	HEX BOLT M8-1.25 X 60
83	P5963083	GIB SCREW M8-1.25 X 45
84	P5963084	ELEVATION GIB
85	P5963085	LOWER ELEVATION PULLEY
86	P5963086	ROLL PIN 6 X 45
87	P5963087	LOCKING TAB
90	P5963090	CAP SCREW M10-1.25 X 14
91	P5963091	ELEVATION CARRIAGE
97	P5963097	CAP SCREW M5-.8 X 10
98	P5963098	HEX NUT M12-1.75
99	P5963099	LIMIT TAB

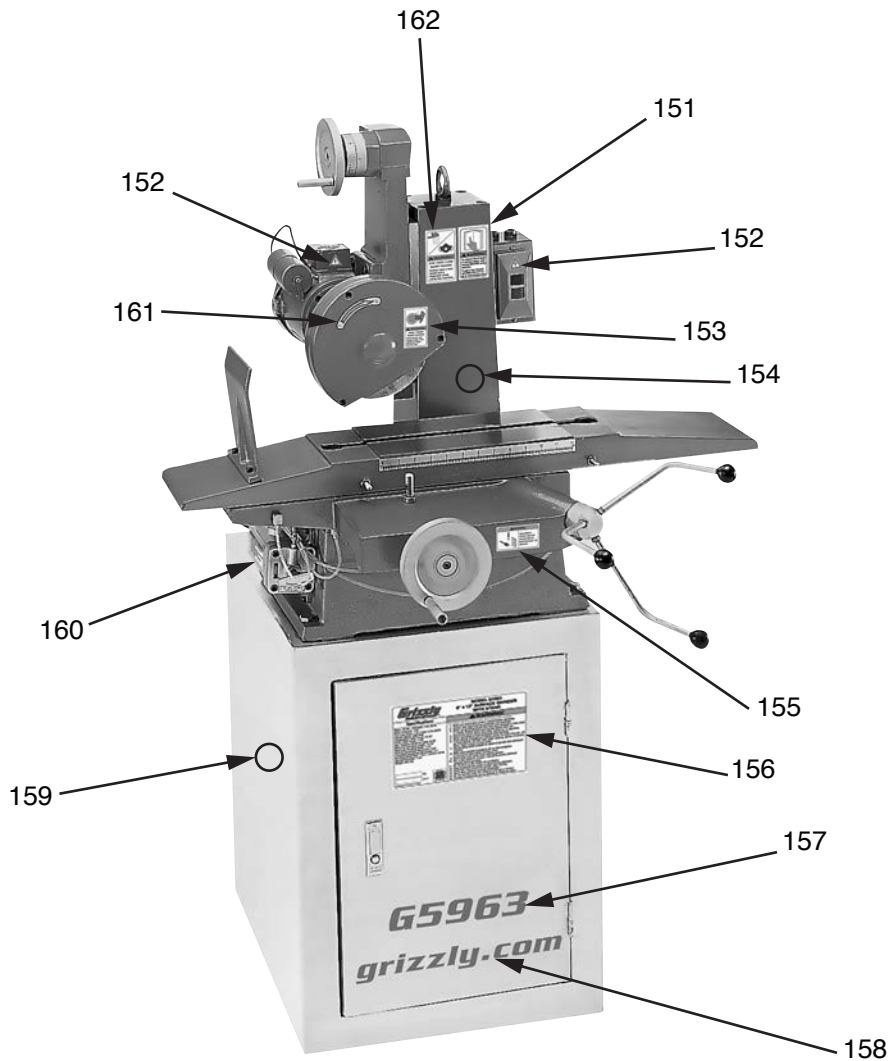
Accessories

REF	PART #	DESCRIPTION
101	P5963101	DRESSING DIAMOND W/MOUNT
102	P5963102	ADJUSTABLE WRENCH
120	P5963120	LEVELING PADS
122	P5963122	TOOL BOX
123	P5963123	HEX WRENCH 5MM
124	P5963124	HEX WRENCH 4MM

REF	PART #	DESCRIPTION
125	P5963125	HEX WRENCH 3MM
127	P5963127	PIN WRENCH
128	P5963128	SCREWDRIVER FLAT #2
129	P5963129	SCREWDRIVER PHILLIPS #2
130	P5963130	MANDREL



Machine Labels



REF	PART #	DESCRIPTION
151	P5963151	READ MANUAL LABEL
152	P5963152	ELECTRICITY LABEL
153	P5963153	GRINDING WHEEL HAZARD LABEL
154	P5963154	GRIZZLY GREEN TOUCH-UP PAINT
155	P5963155	DISCONNECT POWER WARNING LABEL
156	P5963156	MACHINE ID LABEL

REF	PART #	DESCRIPTION
157	P5963157	MODEL NUMBER LABEL
158	P5963158	GRIZZLY.COM LABEL, GREEN
159	P5963159	GRIZZLY PUTTY TOUCH-UP PAINT
160	P5963160	ONE-SHOT OILER LABEL
161	P5963161	WHEEL DIRECTION LABEL
162	P5963162	FACE SHIELD/RESPIRATOR LABEL

WARNING

Safety labels help reduce the risk of serious injury caused by machine hazards. If any label comes off or becomes unreadable, the owner of this machine **MUST** replace it in the original location before resuming operations. For replacements, contact (800) 523-4777 or www.grizzly.com.

