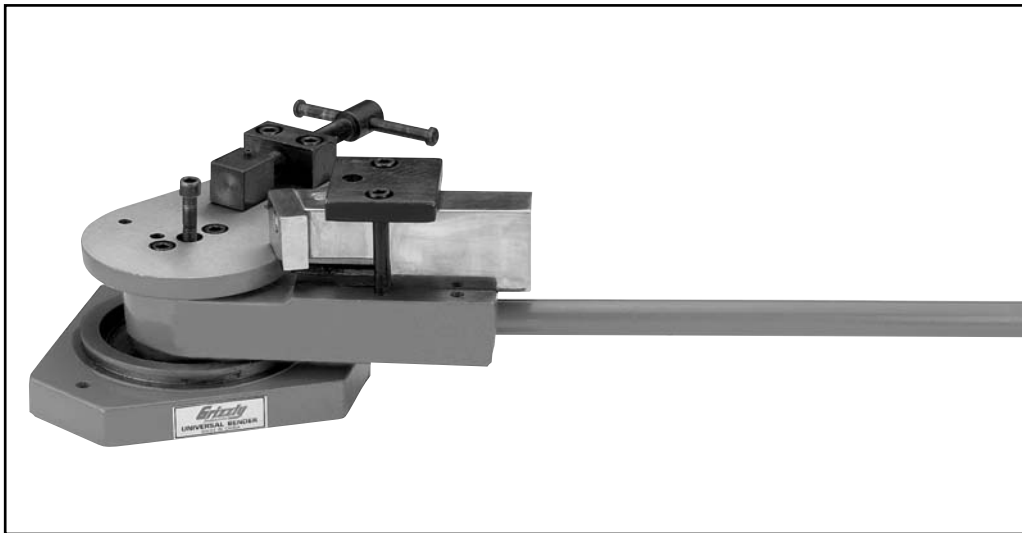




UNIVERSAL BENDER

MODEL G7153

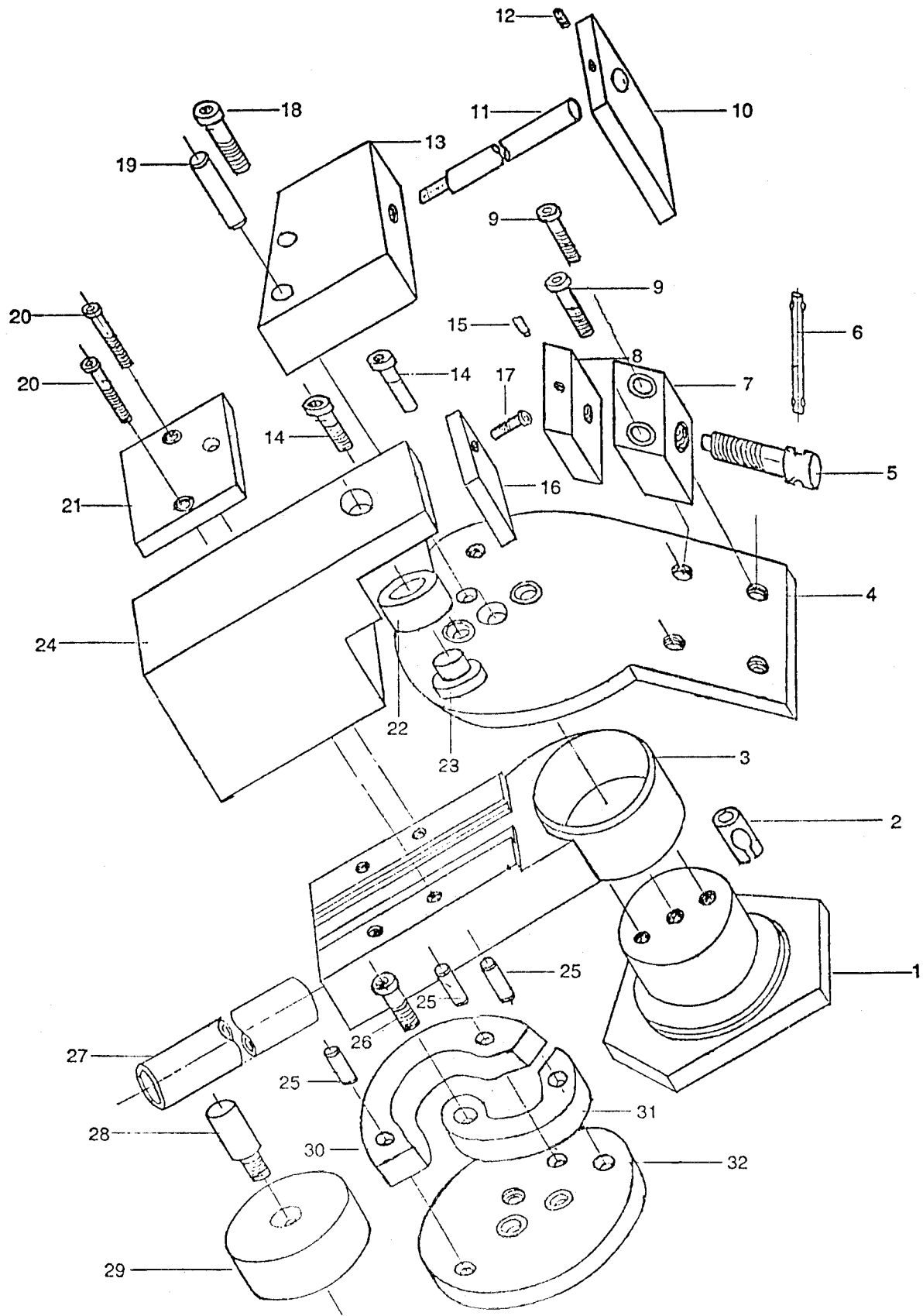
PARTS LIST



COPYRIGHT © JANUARY, 1999 BY GRIZZLY INDUSTRIAL, INC.
**WARNING: NO PORTION OF THIS MANUAL MAY BE REPRODUCED IN ANY SHAPE
OR FORM WITHOUT THE WRITTEN APPROVAL OF GRIZZLY INDUSTRIAL, INC.**
GRIZZLY ID # 404001623. REVISED JANUARY, 2003. PRINTED IN CHINA

ONLINE PARTS LIST DISCLAIMER

THESE PARTS REPRESENT THE CONFIGURATION OF THE MACHINE AS IT IS CURRENTLY BEING SHIPPED. THE MACHINE CONFIGURATION CAN CHANGE AS PRODUCT IMPROVEMENTS ARE INCORPORATED. IF YOU OWN AN EARLIER VERSION OF THE MACHINE, THIS PARTS LIST MAY NOT EXACTLY DEPICT YOUR MACHINE. CONTACT CUSTOMER SERVICE IF YOU HAVE ANY QUESTIONS ABOUT PART DIFFERENCES. PREVIOUS PARTS LIST VERSIONS ARE NOT AVAILABLE ONLINE.



G7153 Universal Bender Exploded Parts View

REF	QTY	DESCRIPTION
1	1	BASE
2	1	STOP
3	1	BODY
4	1	DIE MOUNTING PLATE
5	1	WISE DRIVE SCREW
6	1	WISE HANDLE
7	1	WISE BASE
8	1	WISE FACE
9	2	HEX KEY BOLT
10	1	GAUGE STOP
11	1	GAUGE SHAFT
12	1	GAUGE LOCKING SCREW
13	1	ANGLE DIE
14	2	HEX KEY BOLT
15	1	SET SCREW
16	1	BENDING BLOCK FACE PLATE
17	1	HEX KEY BOLT
18	1	HEX KEY BOLT
19	1	SPRING PIN
20	2	HEX KEY BOLT
21	1	BENDING BLOCK LOCKING PLATE
22	1	BENDING BLOCK WHEEL
23	1	BENDING BLOCK SHAFT
24	1	BENDING BLOCK
25	3	SPRING PIN
26	1	HEX KEY BOLT
27	1	HANDLE
28	1	ROUND DIE MOUNTING SHAFT
29	1	ROUND DIE
30	1	SPRING FORMING DIE "B"
31	1	SPRING FORMING DIE "A"
32	1	SPRING FORMING DIE