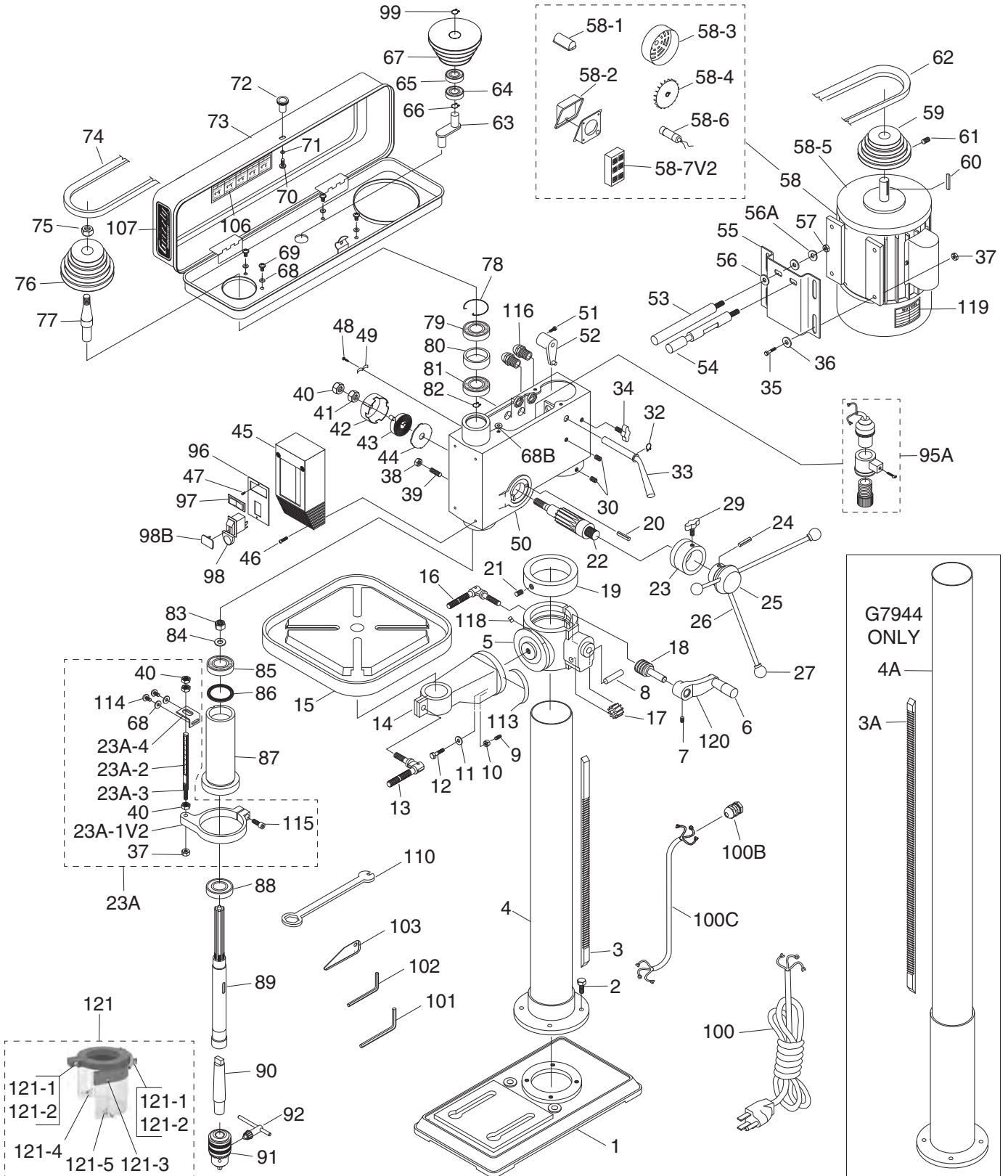


# SECTION 9: PARTS

## G7943/G7944 Breakdown



Model G7943/G7944 (Mfd. Since 09/17)



**BUY PARTS ONLINE AT GRIZZLY.COM!**  
Scan QR code to visit our Parts Store.



# G7943/G7944 Parts List

REF	PART #	DESCRIPTION
1	P7943001	BASE V2.07.04
2	P7943002	HEX BOLT M10-1.5 x 25
3	P7943003	RACK (G7943)
3A	P7944003A	RACK (G7944)
4	P7943004	COLUMN W/COL SHLDR (G7943)
4A	P7944004A	COLUMN W/COL SHLDR (G7944)
5	P7943005	TABLE BRACKET
6	P7943006	HANDLE
7	P7943007	SET SCREW M6-1 X 10
8	P7943008	SHAFT
9	P7943009	TABLE PIN
10	P7943010	HEX NUT M6-1
11	P7943011	FLAT WASHER 16MM
12	P7943012	HEX BOLT M16-2 X 40
13	P7943013	TABLE BOLT M10-1.5 X 30
14	P7943014	TABLE ARM BRACKET
15	P7943015	TABLE
16	P7943016	CLAMP BOLT M12-1.75
17	P7943017	GEAR
18	P7943018	WORM GEAR
19	P7943019	RACK RING
20	P7943020	PIN-STOP
21	P7943021	SET SCREW M6-1 x 10
22	P7943022	FEED SHAFT
23	P7943023	DOWNFEED LOCK RING
23A	P7943023A	DEPTH RING ASSY
23A-1V2	P7943023A-1V2	DEPTH STOP BRACKET V2.12.12
23A-2	P7943023A-2	SCALE V2.11.02
23A-3	P7943023A-3	THREADED DEPTH BAR
23A-4	P7943023A-4	RIGHT-ANGLE BRACKET
24	P7943024	ROLL PIN 5 X 40
25	P7943025	HANDLE BODY
26	P7943026	HANDLE
27	P7943027	KNOB
29	P7943029	SLIDE BAR BOLT M8-1.25 X 20
30	P7943030	SET SCREW M10-1.5 X 12
32	P7943032	EXT RETAINING RING 16MM
33	P7943033	SHIFTER BAR
34	P7943034	SLIDE BAR BOLT M10-1.5 X 25
35	P7943035	HEX BOLT M8-1.25 X 30
36	P7943036	FLAT WASHER 8MM
37	P7943037	HEX NUT M8-1.25
38	P7943038	HEX NUT M10-1.25
39	P7943039	SET SCREW M10-1.5 x 30
40	P7943040	HEX NUT M12-1.5 THIN
41	P7943041	HEX NUT M12-1.5 THIN
42	P7943042	SPRING CAP
43	P7943043	SPRING-TORSION
44	P7943044	SPRING COVER
45	P7943045	SWITCH BOX
46	P7943046	PHLP HD SCR M5-.8 X 12
47	P7943047	TAP SCREW M4.2 X 9
48	P7943048	PHLP HD SCR M5-.8 X 10

REF	PART #	DESCRIPTION
49	P7943049	CORD CLAMP
50	P7943050	HEADSTOCK
51	P7943051	HEX BOLT M8-1.25 X 16
52	P7943052	SHIFTER
53	P7943053	SLIDE BAR
54	P7943054	SLIDE BAR
55	P7943055	MOTOR BASE
56	P7943056	FLAT WASHER 12MM
56A	P7943056A	LOCK WASHER 12MM
57	P7943057	HEX NUT M12-1.75
58	P7943058	MOTOR 3/4HP 120V 1PH
58-1	P7943058-1	CAPACITOR COVER
58-2	P7943058-2	JUNCTION BOX
58-3	P7943058-3	MOTOR COVER
58-4	P7943058-4	MOTOR FAN
58-5	P7943058-5	CAST-IRON END BELL (MOTOR)
58-6	P7943058-6	S CAPACITOR 200UF 125VAC
58-7V2	P7943058-7V2	TERMINAL BLOCK V2.05.18
59	P7943059	MOTOR PULLEY V2.02.99
60	P7943060	KEY 5 X 5 X 25
61	P7943061	SET SCREW M6-1 X 10
62	P7943062	V-BELT M24 3L240
63	P7943063	CENTER SHAFT
64	P7943064	BALL BEARING 6202ZZ
65	P7943065	BALL BEARING 6202ZZ
66	P7943066	EXT RETAINING RING 15MM
67	P7943067	CENTER PULLEY V2.02.99
68	P7943068	FLAT WASHER 6MM
68B	P7943068B	FLAT WASHER 6MM
69	P7943069	PHLP HD SCR M6-1 X 10
70	P7943070	PHLP HD SCR M5-.8 X 10
71	P7943071	FLAT WASHER 5MM
72	P7943072	KNOB
73	P7943073	PULLEY COVER
74	P7943074	V-BELT M25 3L250
75	P7943075	PULLEY NUT
76	P7943076	SPINDLE PULLEY V2.02.99
77	P7943077	INSERT PULLEY V2.02.99
78	P7943078	INT RETAINING RING 52MM
79	P7943079	BALL BEARING 6205ZZ
80	P7943080	SPACER
81	P7943081	BALL BEARING 6205ZZ
82	P7943082	INT RETAINING RING 25MM
83	P7943083	ROUND NUT M17-1
84	P7943084	TAB WASHER
85	P7943085	BALL BEARING P6203Z
86	P7943086	RUBBER WASHER 62 X 50 X 2
87	P7943087	SPINDLE SLEEVE
88	P7943088	BALL BEARING 6205ZZ
89	P7943089	SPINDLE
90	P7943090	ARBOR
91	P7943091	CHUCK
92	P7943092	CHUCK KEY



# G7943/G7944 Parts List Cont.

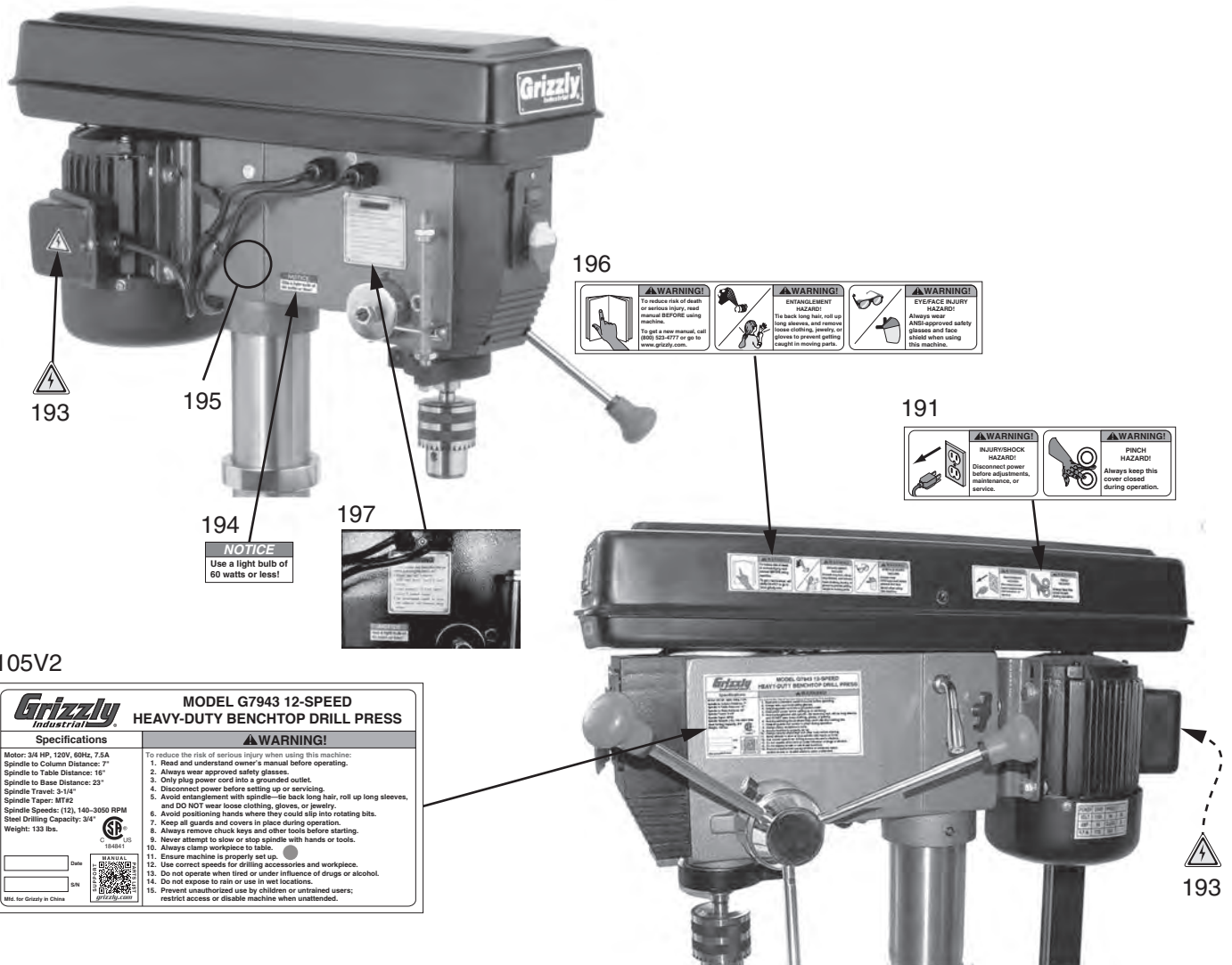
REF	PART #	DESCRIPTION
95A	P7943095A	LIGHT SOCKET ASSEMBLY
96	P7943096	SWITCH BASE
97	P7943097	SWITCH (LIGHT)
98	P7943098	PADDLE SWITCH 120/240V W/KEY
98B	P7943098B	YELLOW SWITCH KEY
99	P7943099	INT RETAINING RING 35MM
100	P7943100	POWER CORD 18G 3W 72" 5-15P
100B	P7943100B	STRAIN RELIEF
100C	P7943100C	MOTOR CORD
101	P7943101	HEX WRENCH 5MM
102	P7943102	HEX WRENCH 3MM
103	P7943103	WEDGE SHIFTER
104	P7943104	LIGHT WARNING LABEL
106	P7943106	SPEED CHART LABEL
107	P7943107	GRIZZLY BLACK/AL LABEL

REF	PART #	DESCRIPTION
110	P7943110	TABLE BOLT WRENCH
113	P7943113	ANGLE SCALE
114	P7943114	PHLP HD SCR M6-1 X 10
115	P7943115	CAP SCREW M8-1.25 X 20
116	P7943116	STRAIN RELIEF
117	P7943117	DRILL PRESS LABEL
118	P7943118	INDICATOR
119	P7943119	MOTOR LABEL
120	P7943120	CRANK LEVER
121	P7943121	CHUCK GUARD ASSEMBLY
121-1	P7943121-1	PHLP HD SCR M4-.7 X 30
121-2	P7943121-2	HEX NUT M4-.7
121-3	P7943121-3	TAP SCREW M2.2 X 4.5
121-4	P7943121-4	HEX BOLT M5-.8 X 12
121-5	P7943121-5	WING NUT M5-.8

We do our best to stock replacement parts when possible, but we cannot guarantee that all parts shown are available for purchase. Call **(800) 523-4777** or visit **[www.grizzly.com/parts](http://www.grizzly.com/parts)** to check for availability.



# G7943/G7944 Labels & Cosmetics



105V2

<b>MODEL G7943 12-SPEED HEAVY-DUTY BENCHTOP DRILL PRESS</b>	
<b>Specifications</b> Motor: 3/4 HP, 120V, 60Hz, 7.5A Spindle to Column Distance: 7" Spindle to Table Distance: 16" Spindle to Base Distance: 23" Spindle Travel: 3-1/4" Spindle Taper: MT#2 Spindle Speeds: (12), 140-3050 RPM Steel Drilling Capacity: 3/4" Weight: 123 lbs.	<b>WARNING!</b> To reduce the risk of serious injury when using this machine: 1. Read and understand owner's manual before operating. 2. Always wear approved safety glasses. 3. Only plug power cord into a grounded outlet. 4. Disconnect power before setting up or servicing, and DO NOT wear loose clothing, gloves, or jewelry. 5. Avoid entanglement with spindle—tie back long hair, roll up long sleeves, and DO NOT wear loose clothing, gloves, or jewelry. 6. Avoid positioning hands where they could slip into rotating bits. 7. Keep all guards and covers in place during operation. 8. Always remove chuck keys and other tools before starting. 9. Never attempt to slow or stop spindle with hands or tools. 10. Always clamp workpiece to table. 11. Ensure machine is properly set up. 12. Use correct speeds for drilling accessories and workpiece. 13. Do not operate when tired or under influence of drugs or alcohol. 14. Do not expose to rain or use in wet locations. 15. Prevent unauthorized use by children or untrained users; restrict access or disable machine when unattended.
Date: _____ SN: _____ <small>Mfd. for Grizzly in China</small>	

REF	PART #	DESCRIPTION
105V2	P7943105V2	WARNING ID/LABEL V2.09.17 (G7943)
105V2	P7944105V2	WARNING ID/LABEL V2.09.17 (G7944)
191	P7943191	SHOCK-PINCH LABEL
193	P7943193	ELECTRICITY WARNING LABEL

REF	PART #	DESCRIPTION
194	P7943194	60W LIGHT BULB NOTICE
195	P7943195	TOUCH-UP PAINT, GRIZZLY GREEN
196	P7943196	READ-ENTANGLE-EYE WARNING LABEL
197	P7943197	WARNING LABEL (FACTORY)

**⚠ WARNING**

Safety labels help reduce the risk of serious injury caused by machine hazards. If any label comes off or becomes unreadable, the owner of this machine **MUST** replace it in the original location before resuming operations. For replacements, contact (800) 523-4777 or [www.grizzly.com](http://www.grizzly.com).

**BUY PARTS ONLINE AT GRIZZLY.COM!**  
Scan QR code to visit our Parts Store.

