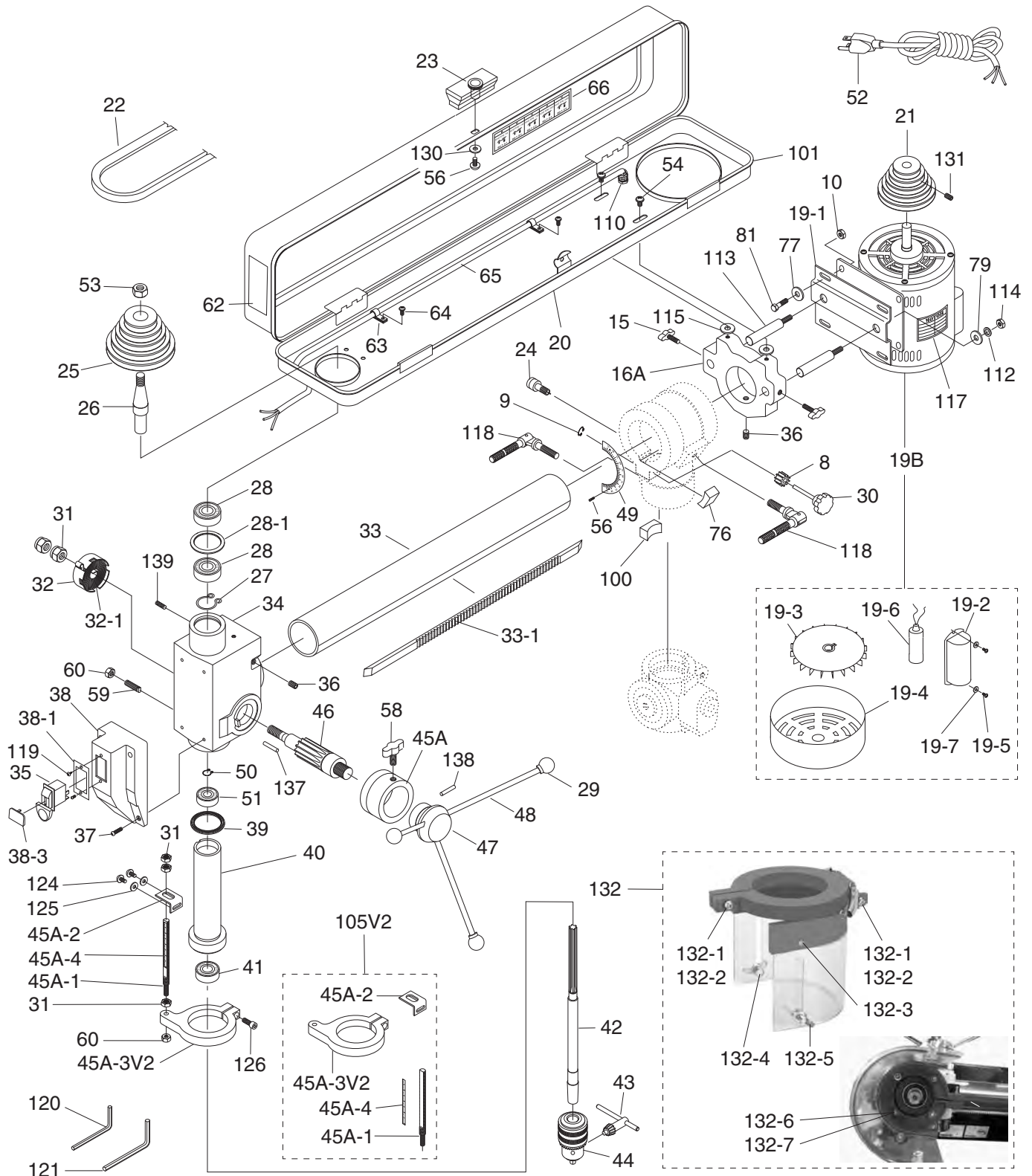


SECTION 9: PARTS

G7945/G7946 Main Parts



G7945/G7946 Main Parts List

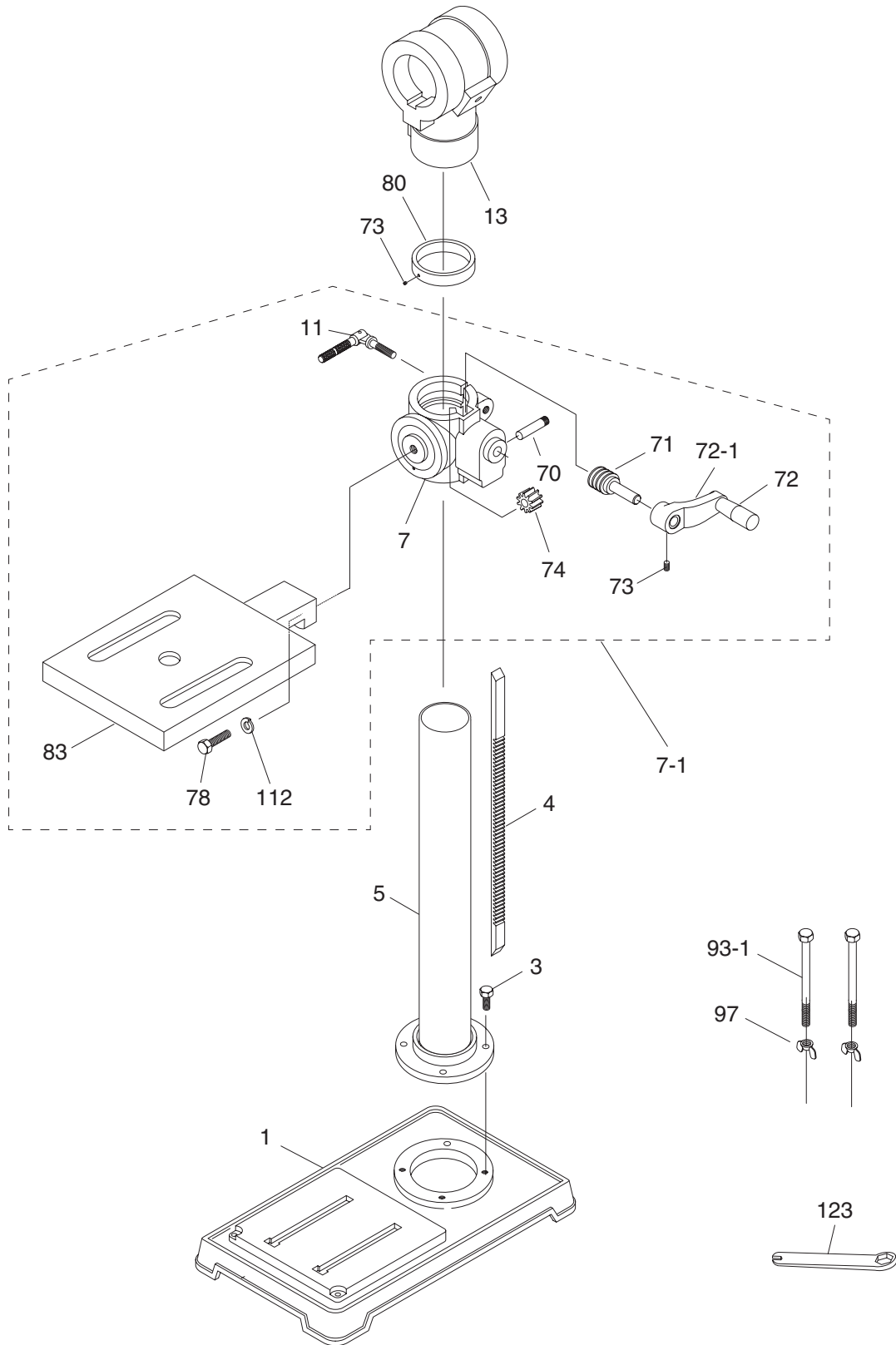
REF	PART #	DESCRIPTION
8	P7945008	GEAR
9	P7945009	EXT RETAINING RING 9MM
10	P7945010	HEX NUT M8-1.25
15	P7945015	KNOB BOLT M8-1.25 X 22
16A	P7945016A	MOUNT PLATE V2.06.06
19B	P7945019B	MOTOR 1/2HP 120V 1-PH V2.03.07
19-1	P7945019-1	MOTOR MOUNT BRACKET V2.02.05
19-2	P7945019-2	CAPACITOR COVER
19-3	P7945019-3	MOTOR FAN
19-4	P7945019-4	FAN COVER
19-5	P7945019-5	PHLP HD SCR M4-.7 X 6
19-6	P7945019-6	CAPACITOR 150 uF, 125VAC
19-7	P7945019-7	FLAT WASHER 4MM
20	P7945020	PULLEY COVER
21	P7945021	MOTOR PULLEY
22	P7945022	V-BELT 1500
23	P7945023	COVER KNOB M5-.8
24	P7945024	LOCK PIN
25	P7945025	SPINDLE PULLEY
26	P7945026	DRIVE SLEEVE
27	P7945027	EXT RETAINING RING 17MM
28	P7945028	BALL BEARING 6203ZZ
28-1	P7945028-1	SPACER
29	P7945029	KNOB M10-1.5 42D X 48L
30	P7945030	HORIZONTAL ADJ KNOB
31	P7945031	HEX NUT M12-1.5 THIN
32	P7945032	SPRING COVER
32-1	P7945032-1	COILED SPRING
33	P7945033	HORIZONTAL COLUMN
33-1	P7945033-1	HORIZONTAL COLUMN RACK
34	P7945034	HEADSTOCK
35	P7945035	ON/OFF SWITCH 110/220V
36	P7945036	SET SCREW M8-1.25 X 10
37	P7945037	PHLP HD SCR M5-.8 X 14
38	P7945038	SWITCH MOUNT COVER
38-1	P7945038-1	SWITCH PLATE
38-3	P7945038-3	PADDLE SWITCH KEY
39	P7945039	RUBBER WASHER
40	P7945040	QUILL SHAFT
41	P7945041	BALL BEARING 6202ZZ
42	P7945042	SPINDLE SHAFT JT#33
43	P7945043	CHUCK KEY
44	P7945044	1/2" CHUCK 1/16" - 5/8" JT#33
45A	P7945045A	COLLAR
45A-1	P7945045A-1	DEPTH STOP ROD
45A-2	P7945045A-2	DEPTH ROD BRACKET
45A-3V2	P7945045A-3V2	DEPTH STOP BRACKET V2.12.12
45A-4	P7945045A-4	DEPTH STOP SCALE
46	P7945046	PINION

REF	PART #	DESCRIPTION
48	P7945048	DOWNFEED HANDLE
49	P7945049	DEGREE SCALE
50	P7945050	EXT RETAINING RING 12MM
51	P7945051	BALL BEARING 6201
52	P7945052	POWER CORD 3W 18G 72" 5-15P
53	P7945053	PULLEY SET NUT
54	P7945054	PHLP HD SCR M6-1 X 10
56	P7945056	PHLP HD SCR M5-.8 X 8
58	P7945058	KNOB BOLT M8-1.25 X 22
59	P7945059	SET SCREW M8-1.25 X 25
60	P7945060	HEX NUT M8-1.25
62	P7945062	LOGO
63	P7945063	WIRE STRAP
64	P7945064	PHLP HD SCR M4-.7 X 8
65	P7945065	MOTOR SWITCH CORD
66	P7945066	SPEED CHART
76	P7945076	LOCKING GIB
77	P7945077	FLAT WASHER 8MM
79	P7945079	FLAT WASHER 10MM
81	P7945081	HEX BOLT M8-1.25 X 25
100	P7945100	LOCK SHOE
101	P7945101	RUBBER BUMPER
105V2	P7945105V2	DEPTH GAUGE KIT V2.12.12
110	P7945110	STRAIN RELIEF
112	P7945112	LOCK WASHER 12MM
113	P7945113	GUIDE ROD 16 X 30MM
114	P7945114	HEX NUT M10-1.5
115	P7945115	RUBBER WASHER 7MM
117	P7945117	MOTOR LABEL
118	P7945118	LOCK LEVER M10-1.5 X 25
119	P7945119	TAP SCREW #8 X 3/8
120	P7945120	HEX WRENCH 3MM
121	P7945121	HEX WRENCH 4MM
124	P7945124	PHLP HD SCR M6-1 X 10
125	P7945125	FLAT WASHER 6MM
126	P7945126	CAP SCREW M8-1.25 X 20
130	P7945130	FLAT WASHER 5MM
131	P7945131	SET SCREW M6-1 X 10
132	P7945132	CHUCK GUARD ASSEMBLY
132-1	P7945132-1	PHLP HD SCR M4-.7 X 30
132-2	P7945132-2	HEX NUT M4-.7
132-3	P7945132-3	TAP SCREW M2.2 X 4.5
132-4	P7945132-4	HEX BOLT M5-.8 X 12
132-5	P7945132-5	WING NUT M5-.8
132-6	P7945132-6	PHLP HD SCR M4-.7 X 10
132-7	P7945132-7	FLAT WASHER 4MM
137	P7945137	PLASTIC PIN 6 X 20
138	P7945138	PLASTIC PIN 5 X 40
139	P7945139	SET SCREW M8-1.25 X 12

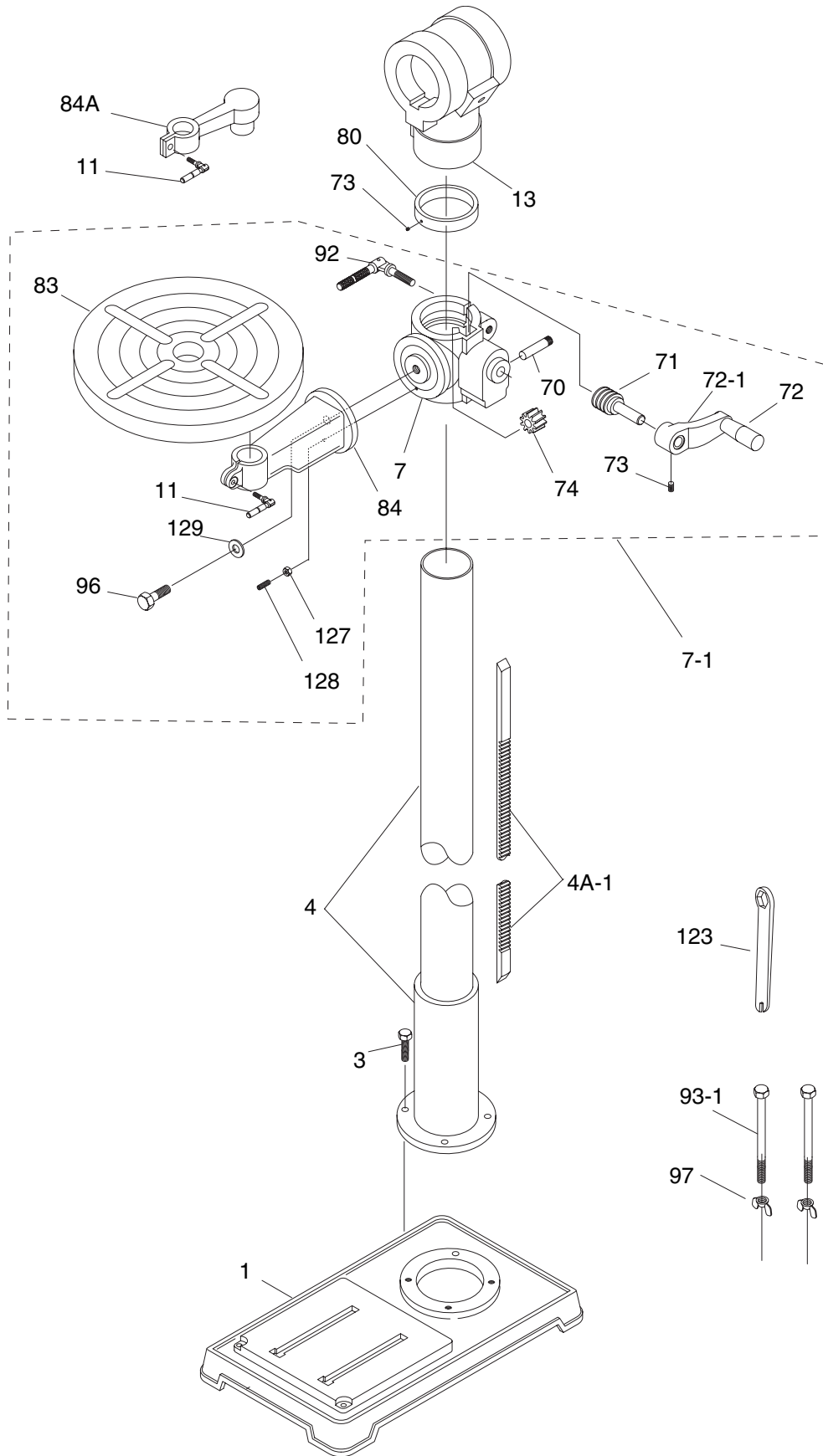
We do our best to stock replacement parts when possible, but we cannot guarantee that all parts shown are available for purchase. Call **(800) 523-4777** or visit **www.grizzly.com/parts** to check for availability.



G7945 Column Parts



G7946 Column Parts



G7945 Column Parts List

REF	PART #	DESCRIPTION
1	P7945001	BASE
3	P7945003	HEX BOLT M8-1.25 X 20
4	P7945004	SHORT RACK
5	P7945005	SHORT VERTICAL COLUMN
7	P7945007	GEARED TABLE BRACKET
7-1	P7945007-1	TABLE BRACKET ASSEMBLY
11	P7945011	LOCK LEVER M10-1.5 X 30
13	P7945013	HORIZ BRACKET 2-5/16 V2.02.99
70	P7945070	PIN
71	P7945071	WORM SHAFT
72	P7945072	FIXED HANDLE M8-1.25 X 10, 21 X 76

REF	PART #	DESCRIPTION
72-1	P7945072-1	CRANK HANDLE
73	P7945073	SET SCREW M6-1 X 10
74	P7945074	10T GEAR
78	P7945078	HEX BOLT M12-1.75 x 30
80	P7945080	COLUMN RING
83	P7945083	SQUARE TABLE
93-1	P7945093-1	HEX BOLT M8-1.25 X 125
97	P7945097	WING NUT M8-1.25
112	P7945112	LOCK WASHER 12MM
123	P7945123	SPECIAL WRENCH

G7946 Column Parts List




REF	PART #	DESCRIPTION
1	P7946001	BASE V2.04.03
3	P7946003	HEX BOLT M10-1.5 X 35
4	P7946004	LONG COLUMN W/COLUMN HOLDER V3.02.99
4A-1	P7946004A-1	LONG RACK
7	P7946007	GEARED TABLE BRACKET V2.03.99
7-1	P7946007-1	COMPLETE TBL BRKT ASSY
11	P7946011	LOCK LEVER M10-1.5 X 50
13	P7946013	HORIZONTAL COLUMN BRACKET
70	P7946070	AXLE
71	P7946071	WORM PINION
72	P7946072	FIXED HANDLE M8-1.25 X 10, 21 X 76
72-1	P7946072-1	CRANK HANDLE
73	P7946073	SET SCREW M6-1 X 10

REF	PART #	DESCRIPTION
74	P7946074	WORM GEAR
80	P7946080	COLUMN RING
83	P7946083	ROUND TABLE
84	P7946084	COLUMN SUPPORT ARM
84A	P7946084A	TABLE SUPPORT ARM
92	P7946092	LOCK LEVER M12-1.75 X 50
93-1	P7946093-1	HEX BOLT M8-1.25 X 125
96	P7946096	HEX BOLT 5/8-13 X 1-1/2
97	P7946097	WING NUT M8-1.25
123	P7946123	SPECIAL WRENCH
127	P7946127	HEX NUT M6-1
128	P7946128	LOCATING PIN
129	P7946129	FLAT WASHER 16MM



G7945/G7946 Labels & Cosmetics

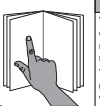


102V2

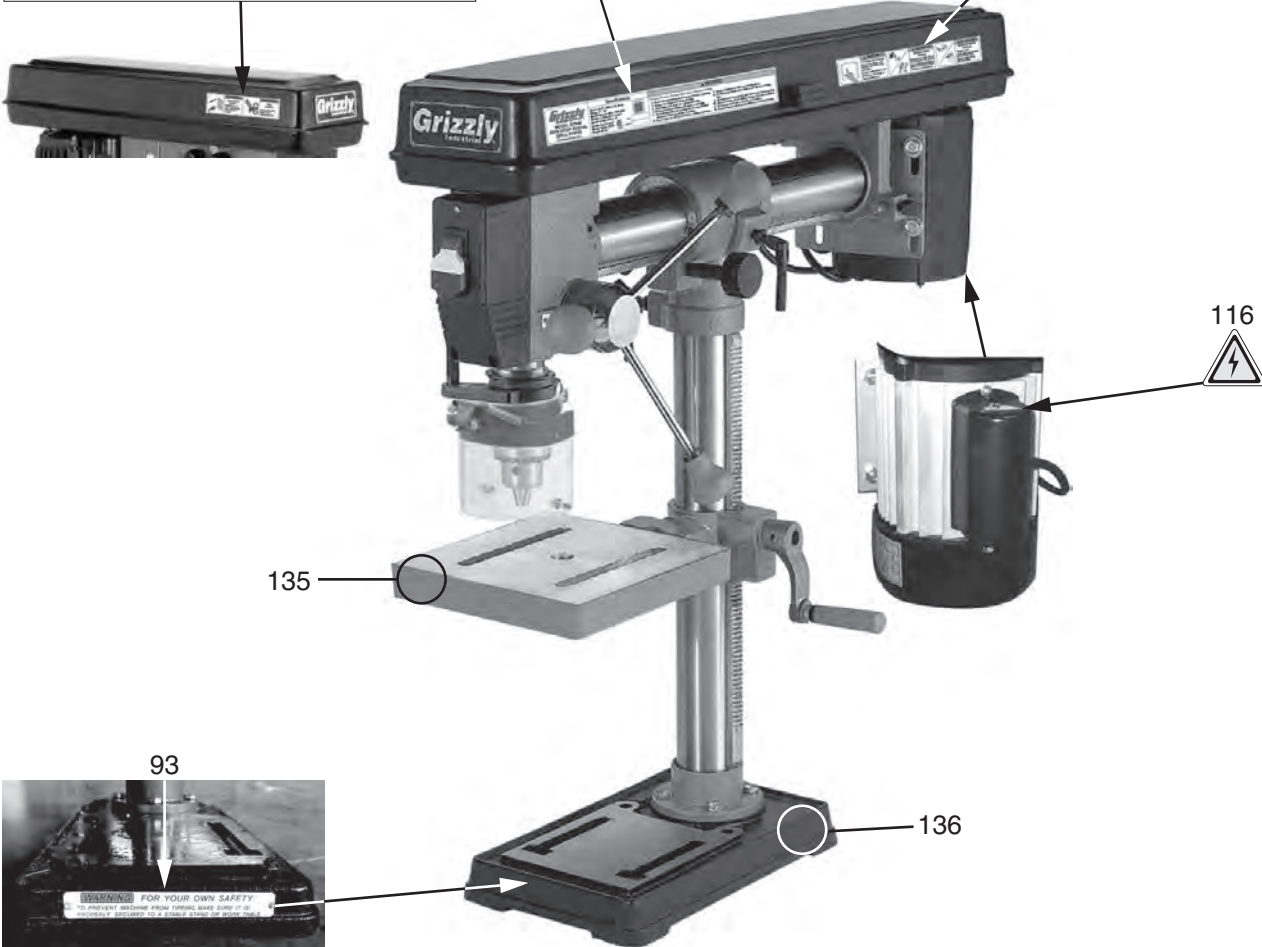
 <p>MODEL G7946 FLOOR RADIAL DRILL PRESS <small>Manufactured for Grizzly in China</small></p>	<p>Specifications</p> <p>Motor: 1/2 HP, 120V, 4.7A, 60 Hz Swing: 11" - 34" Spindle Speeds: 550 - 3000 RPM Spindle to Table Dist.: 30-1/2" Spindle to Base Dist.: 51" Spindle Travel: 3-1/4" Spindle Taper: JT#33 Weight: 138 Lbs.</p>	<p>MANUAL</p>  <p>www.grizzly.com</p> <p>Date: _____ Serial #: _____</p>	<p>▲WARNING!</p> <p>To reduce the risk of serious injury when using this machine:</p> <ol style="list-style-type: none"> 1. Read and understand owner's manual before operating. 2. Always wear approved safety glasses. 3. Only plug power cord into a grounded outlet. 4. Disconnect power before setting up or servicing. 5. Tie back long hair, roll up long sleeves, and DO NOT wear loose clothing, gloves, or jewelry. 6. Keep all guards and covers in place during operation. 7. Clamp workpiece to table to prevent rotation. 8. Avoid putting hands where they could slip into rotating bits. 9. Always remove chuck keys and other tools before starting. 10. Use correct speeds for drilling accessories and workpiece. 11. Do not expose to rain or use in wet locations. 12. Prevent unauthorized use by children or untrained users.
	<p>USA  <small>184841</small></p>		

133

 <p>▲WARNING! INJURY/SHOCK HAZARD! Disconnect power before adjustments, maintenance, or service.</p>	 <p>▲WARNING! PINCH HAZARD! Always keep this cover closed during operation.</p>
---	--

134

 <p>▲WARNING! To reduce risk of death or serious injury, read manual BEFORE using machine. To get a new manual, call (800) 523-4777 or go to www.grizzly.com.</p>	 <p>▲WARNING! ENTANGLEMENT HAZARD! Tie back long hair, roll up long sleeves, and remove loose clothing, jewelry, or gloves to prevent getting caught in moving parts.</p>	 <p>▲WARNING! EYE/FACE INJURY HAZARD! Always wear ANSI-approved safety glasses and face shield when using this machine.</p>
---	--	--



REF	PART #	DESCRIPTION
93	P7945093	LABEL (TIPPING WARNING)
102V2	P7945102V2	MACHINE ID LABEL V2.04.18 (G7945)
102V2	P7946102V2	MACHINE ID LABEL V2.04.18 (G7946)
116	P7945116	ELECTRICITY WARNING LABEL

REF	PART #	DESCRIPTION
133	P7945133	SHOCK-PINCH WARNING LABEL
134	P7945134	READ-ENTANGLE-EYE LABEL
135	P7945135	TOUCH-UP PAINT, GRIZZLY GREEN
136	P7945136	TOUCH-UP PAINT, GLOSSY BLACK

▲WARNING

Safety labels help reduce the risk of serious injury caused by machine hazards. If any label comes off or becomes unreadable, the owner of this machine **MUST** replace it in the original location before resuming operations. For replacements, contact (800) 523-4777 or www.grizzly.com.

