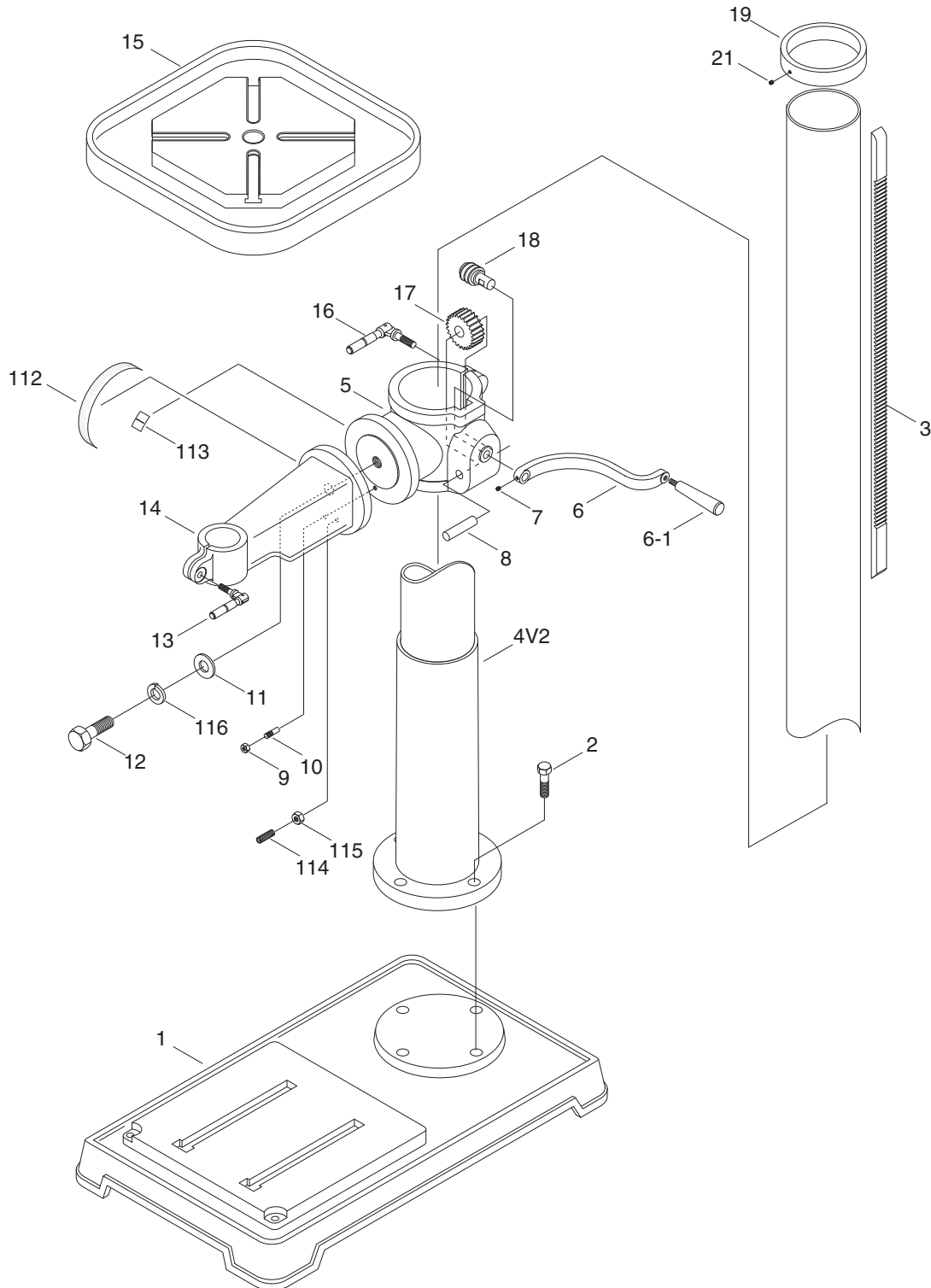


SECTION 9: PARTS

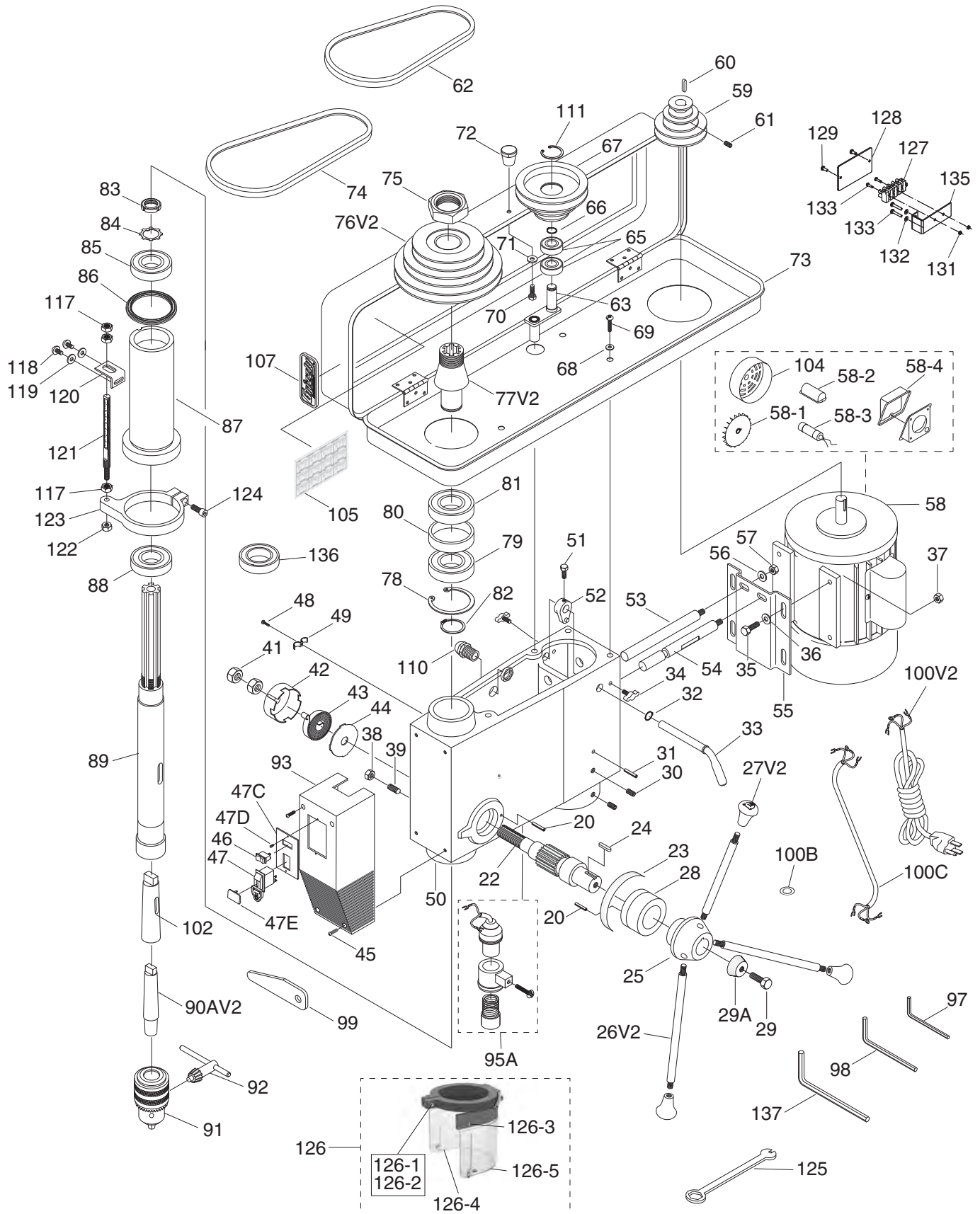
G7947 Stand & Table Breakdown



We do our best to stock replacement parts when possible, but we cannot guarantee that all parts shown are available for purchase. Call (800) 523-4777 or visit www.grizzly.com/parts to check for availability.



G7947 Headstock Breakdown



G7947 Parts List

REF	PART #	DESCRIPTION
1	P7948001	BASE
2	P7948002	HEX BOLT M12-1.75 X 40
3	P7948003	RACK
4	P7948004	COLUMN
5	P7948005	TABLE BRACKET
6	P7948006	HANDLE ARM
6-1	P7948006-1	HANDLE
7	P7948007	SET SCREW M8-1.25 X 10
8	P7948008	SHAFT
9	P7948009	HEX NUT M6-1 X 30
10	P7948010	TABLE PIN
11	P7948011	FLAT WASHER 20MM
12	P7948012	HEX BOLT M20-2.5 X 45
13	P7948013	LOCK KNOB M10-1.5 X 30
14	P7948014	TABLE ARM BRACKET
15	P7948015	TABLE
16	P7948016	LOCK KNOB
17	P7948017	GEAR 14T
18	P7948018	WORM GEAR
19	P7948019	RACK RING
20	P7948020	ROLL PIN 4 X 20
21	P7948021	SET SCREW M6-1 X 10
22	P7948022	FEED SHAFT
23	P7948023	SCALE RING
24	P7948024	KEY 6 X 6 X 20
25	P7948025	HANDLE BODY
26	P7948026	HANDLE
27	P7948027	KNOB M12-1.75
28	P7948028	FEED SHAFT CONNECTOR
29	P7948029	HEX BOLT M10-1.5 X 30
29A	P7948029A	PLASTIC LOCK CAP
30	P7948030	SET SCREW M10-1.5 X 10
31	P7948031	ROLL PIN 8MM
32	P7948032	EXT RETAINING RING 16MM
33	P7948033	SHIFTER BAR
34	P7948034	SLIDE BAR BOLT M10-1.5 X 35
35	P7948035	HEX BOLT M8-1.25 X 30
36	P7948036	FLAT WASHER M8
37	P7948037	HEX NUT M8-1.25
38	P7948038	HEX NUT M10-1.5
39	P7948039	SET SCREW M10-1.5 X 30
41	P7948041	HEX NUT M16-1.5 THIN
42	P7948042	SPRING CAP
43	P7948043	TORSION SPRING
44	P7948044	SPRING COVER
45	P7948045	PHLP HD SCR M5-.8 X 14
46	P7948046	LIGHT SWITCH
47	P7948047	GRIZZLY SAFETY PADDLE SWITCH
47C	P7948047C	SWITCH PLATE

REF	PART #	DESCRIPTION
47D	P7948047D	TAP SCREW M4 X 12
47E	P7948047E	YELLOW SWITCH KEY
48	P7948048	PHLP HD SCR M5-.8 X 10
49	P7948049	CORD CLAMP
50	P7948050	HEAD CASTING
51	P7948051	HEX BOLT M8-1.25 X 16
52	P7948052	SHIFTER
53	P7948053	LEFT SLIDE BAR
54	P7948054	RIGHT SLIDE BAR
55	P7948055	MOTOR BASE
56	P7948056	FLAT WASHER 12MM
57	P7948057	HEX NUT M12-1.75
58	P7948058	MOTOR 1-1/2HP 1PH 120/240V
58-1	P7948058-1	MOTOR FAN
58-2	P7948058-2	CAPACITOR COVER
58-3	P7948058-3	S CAPACITOR 400M 250V
58-4	P7948058-4	WIRING BOX COVER
59	P7948059	MOTOR PULLEY
60	P7948060	KEY 5 X 5 X 25
61	P7948061	SET SCREW M6-1 X 10
62	P7948062	V-BELT A-27 4L290
63	P7948063	CENTER SHAFT
65	P7948065	BALL BEARING 6202ZZ
66	P7948066	EXT RETAINING RING 15MM
67	P7948067	CENTER PULLEY
68	P7948068	FLAT WASHER 8MM
69	P7948069	PHLP HD SCR M8-1.25 X 12
70	P7948070	PHLP HD SCR M5-.8 X 10
71	P7948071	FLAT WASHER 5MM
72	P7948072	PULLEY COVER KNOB
73	P7948073	PULLEY HOUSING 8-3/4 X 30-1/4"
74	P7948074	V-BELT A-33
75	P7948075	PULLEY NUT
76	P7948076	SPINDLE PULLEY
77	P7948077	PULLEY INSERT
78	P7948078	INT RETAINING RING 72MM
79	P7948079	BALL BEARING 6207ZZ
80	P7948080	SPACER
81	P7948081	BALL BEARING 6207ZZ
82	P7948082	EXT RETAINING RING 35MM
83	P7948083	SPANNER NUT
84	P7948084	TAB WASHER
85	P7948085	BALL BEARING 6206ZZ
86	P7948086	RUBBER WASHER
87	P7948087	QUILL
88	P7948088	BALL BEARING 6207ZZ
89	P7948089	SPINDLE
90A	P7948090A	ARBOR MT4/JT3
91	P7948091	CHUCK JT3 X 3/64-5/8"



G7947 Parts List (Cont.)

REF	PART #	DESCRIPTION
92	P7947092	CHUCK KEY
93	P7947093	SWITCH BOX
95A	P7947095A	LIGHT SOCKET ASSY.
97	P7947097	HEX WRENCH 3MM
98	P7947098	HEX WRENCH 4MM
99	P7947099	DRIFT KEY
100V2	P7947100V2	POWER CORD 3W 14G 72" 5-20P V2.09.17
100B	P7947100B	WIRE GASKET
100C	P7947100C	MOTOR CORD
102	P7947102	SLEEVE MT#2/3
104	P7947104	MOTOR FAN COVER
105	P7947105	SPEED CHART
107	P7947107	GRIZZLY BLACK/AL LABEL
110	P7947110	STRAIN RELIEF
111	P7947111	INT RETAINING RING 35MM
112	P7947112	DEGREE SCALE
113	P7947113	INDICATOR
114	P7947114	SET SCREW M10-1.5 X 28
115	P7947115	HEX NUT M10-1.5
116	P7947116	LOCK WASHER 20MM
117	P7947117	HEX NUT M12-1.5
118	P7947118	PHLP HD SCR M5-.8 X 10

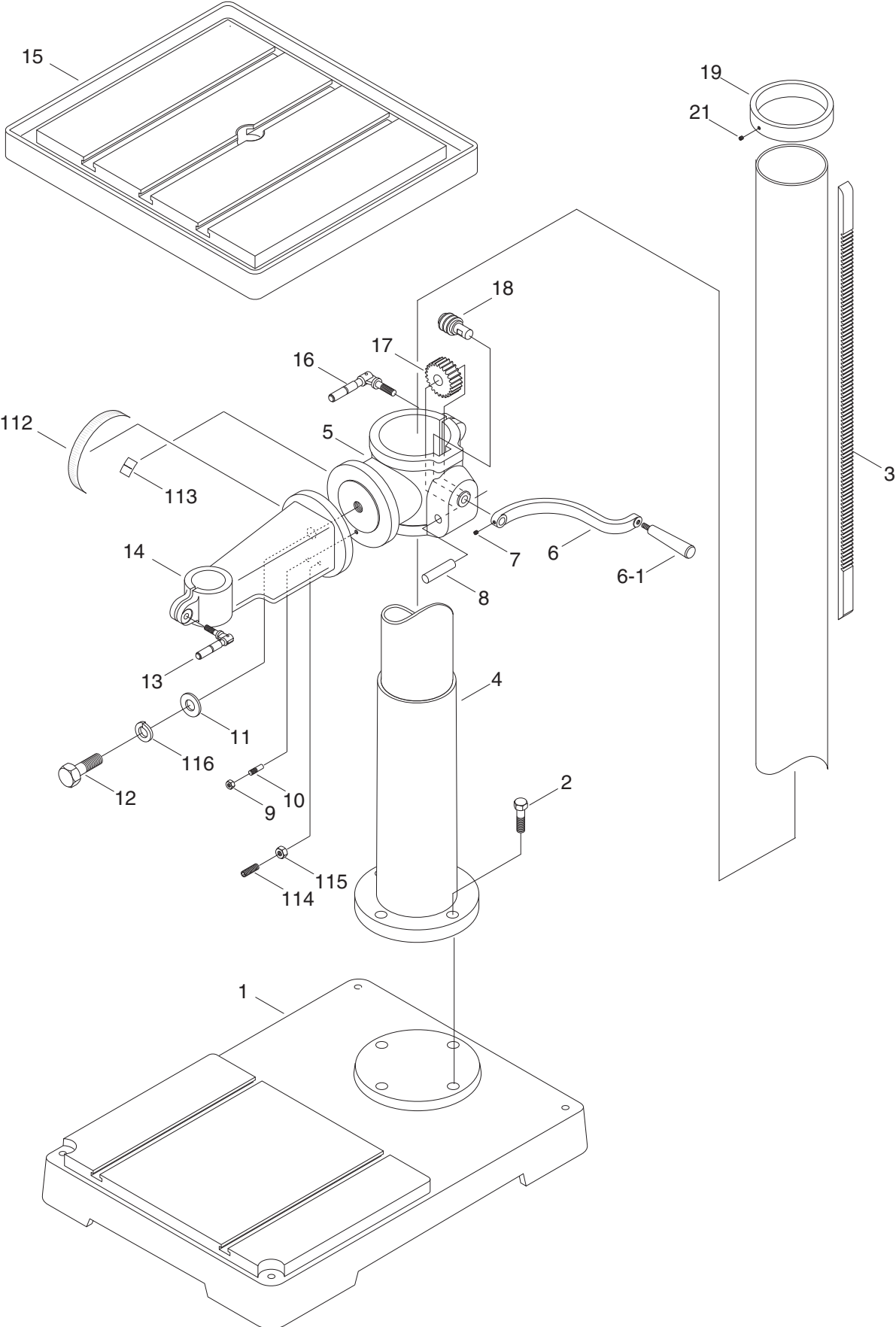
REF	PART #	DESCRIPTION
119	P7947119	FLAT WASHER 5MM
120	P7947120	DEPTH STOP BRACKET
121	P7947121	DEPTH STOP SCALE STUD
122	P7947122	HEX NUT M8-1.25
123	P7947123	QUILL CLAMP
124	P7947124	CAP SCREW M8-1.25 X 20
125	P7947125	FLAT LOCK WRENCH 12/30MM
126	P7947126	CHUCK GUARD ASSEMBLY
126-1	P7947126-1	PHLP HD SCR M4-.7 X 30
126-2	P7947126-2	HEX NUT M4-.7
126-3	P7947126-3	TAP SCREW M2.2 X 4.5
126-4	P7947126-4	HEX BOLT M5-.8 X 12
126-5	P7947126-5	WING NUT M5-.8
127	P7947127	TERMINAL BAR
128	P7947128	METAL COVER
129	P7947129	PHLP HD SCR M4-.7 X 10
131	P7947131	HEX NUT M4-.7
132	P7047132	FLAT WASHER 4MM
133	P7047133	PHLP HD SCR M4-.7 X 20
135	P7047135	SUPPORT PLATE
136	P7047136	THRUST BEARING 51107
137	P7047137	HEX WRENCH 5MM

WARNING

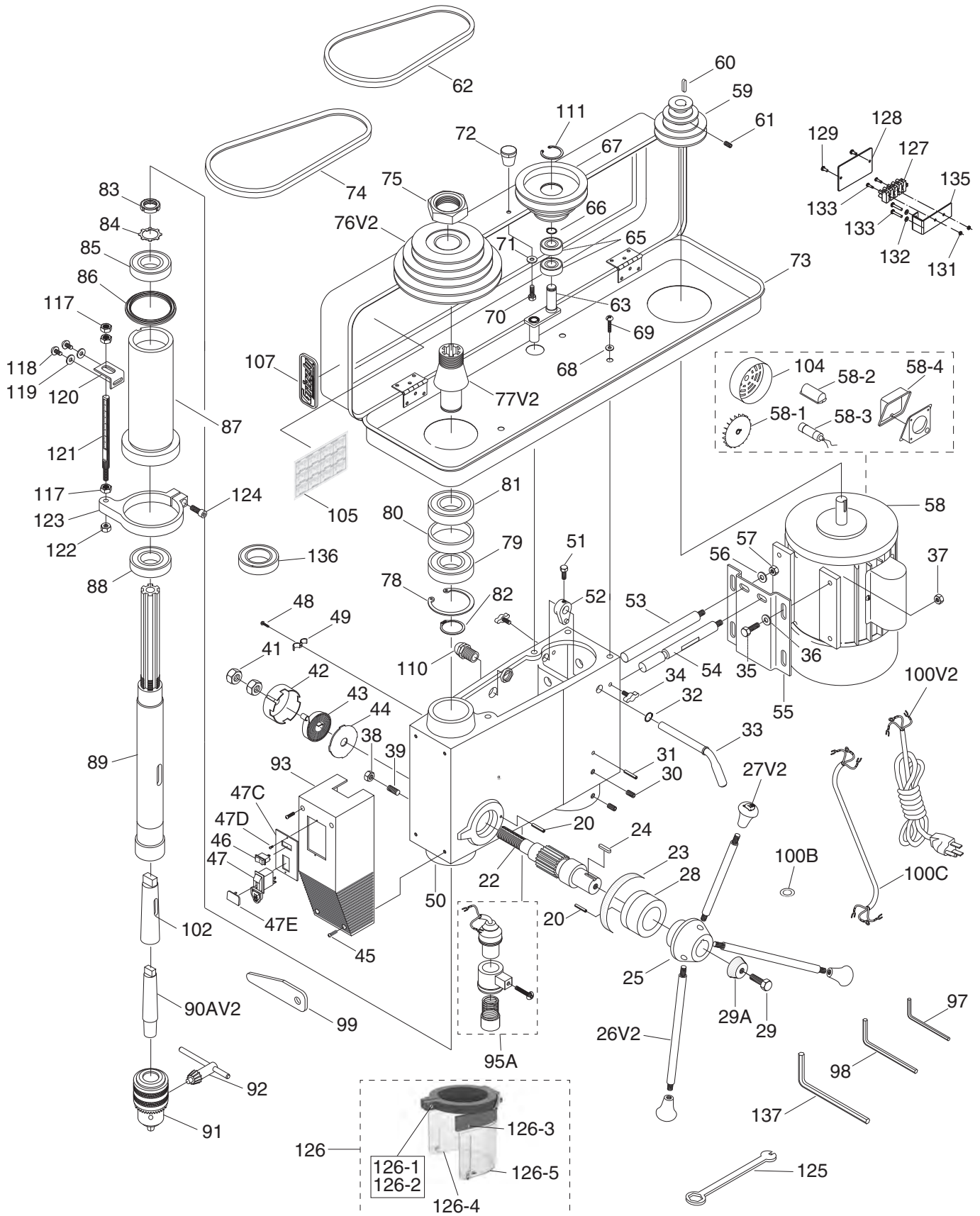
Safety labels help reduce the risk of serious injury caused by machine hazards. If any label comes off or becomes unreadable, the owner of this machine **MUST** replace it in the original location before resuming operations. For replacements, contact (800) 523-4777 or www.grizzly.com.



G7948 Stand & Table Breakdown



G7948 Headstock Breakdown



G7948 Parts List

REF	PART #	DESCRIPTION
1	P7948001	BASE
2	P7948002	HEX BOLT M12-1.75 X 40
3	P7948003	RACK
4	P7948004	COLUMN
5	P7948005	TABLE BRACKET
6	P7948006	HANDLE ARM
6-1	P7948006-1	HANDLE
7	P7948007	SET SCREW M8-1.25 X 10
8	P7948008	SHAFT
9	P7948009	HEX NUT M6-1 X 30
10	P7948010	TABLE PIN
11	P7948011	FLAT WASHER 20MM
12	P7948012	HEX BOLT M20-2.5 X 45
13	P7948013	LOCK KNOB M10-1.5 X 30
14	P7948014	TABLE ARM BRACKET
15	P7948015	TABLE
16	P7948016	LOCK KNOB
17	P7948017	GEAR 14T
18	P7948018	WORM GEAR
19	P7948019	RACK RING
20	P7948020	ROLL PIN 4 X 20
21	P7948021	SET SCREW M6-1 X 10
22	P7948022	FEED SHAFT
23	P7948023	SCALE RING
24	P7948024	KEY 6 X 6 X 20
25	P7948025	HANDLE BODY
26	P7948026	HANDLE
27	P7948027	KNOB M12-1.75
28	P7948028	FEED SHAFT CONNECTOR
29	P7948029	HEX BOLT M10-1.5 X 30
29A	P7948029A	PLASTIC LOCK CAP
30	P7948030	SET SCREW M10-1.5 X 10
31	P7948031	ROLL PIN 8MM
32	P7948032	EXT RETAINING RING 16MM
33	P7948033	SHIFTER BAR
34	P7948034	SLIDE BAR BOLT M10-1.5 X 35
35	P7948035	HEX BOLT M8-1.25 X 30
36	P7948036	FLAT WASHER M8
37	P7948037	HEX NUT M8-1.25
38	P7948038	HEX NUT M10-1.5
39	P7948039	SET SCREW M10-1.5 X 30
41	P7948041	HEX NUT M16-1.5 THIN
42	P7948042	SPRING CAP
43	P7948043	TORSION SPRING
44	P7948044	SPRING COVER
45	P7948045	PHLP HD SCR M5-.8 X 14
46	P7948046	LIGHT SWITCH
47	P7948047	GRIZZLY SAFETY PADDLE SWITCH
47C	P7948047C	SWITCH PLATE

REF	PART #	DESCRIPTION
47D	P7948047D	TAP SCREW M4 X 12
47E	P7948047E	YELLOW SWITCH KEY
48	P7948048	PHLP HD SCR M5-.8 X 10
49	P7948049	CORD CLAMP
50	P7948050	HEAD CASTING
51	P7948051	HEX BOLT M8-1.25 X 16
52	P7948052	SHIFTER
53	P7948053	LEFT SLIDE BAR
54	P7948054	RIGHT SLIDE BAR
55	P7948055	MOTOR BASE
56	P7948056	FLAT WASHER 12MM
57	P7948057	HEX NUT M12-1.75
58	P7948058	MOTOR 1-1/2HP 1PH 120/240V
58-1	P7948058-1	MOTOR FAN
58-2	P7948058-2	CAPACITOR COVER
58-3	P7948058-3	S CAPACITOR 400M 250V
58-4	P7948058-4	WIRING BOX COVER
59	P7948059	MOTOR PULLEY
60	P7948060	KEY 5 X 5 X 25
61	P7948061	SET SCREW M6-1 X 10
62	P7948062	V-BELT A-27 4L290
63	P7948063	CENTER SHAFT
65	P7948065	BALL BEARING 6202ZZ
66	P7948066	EXT RETAINING RING 15MM
67	P7948067	CENTER PULLEY
68	P7948068	FLAT WASHER 8MM
69	P7948069	PHLP HD SCR M8-1.25 X 12
70	P7948070	PHLP HD SCR M5-.8 X 10
71	P7948071	FLAT WASHER 5MM
72	P7948072	PULLEY COVER KNOB
73	P7948073	PULLEY HOUSING 8-3/4 X 30-1/4"
74	P7948074	V-BELT A-33
75	P7948075	PULLEY NUT
76	P7948076	SPINDLE PULLEY
77	P7948077	PULLEY INSERT
78	P7948078	INT RETAINING RING 72MM
79	P7948079	BALL BEARING 6207ZZ
80	P7948080	SPACER
81	P7948081	BALL BEARING 6207ZZ
82	P7948082	EXT RETAINING RING 35MM
83	P7948083	SPANNER NUT
84	P7948084	TAB WASHER
85	P7948085	BALL BEARING 6206ZZ
86	P7948086	RUBBER WASHER
87	P7948087	QUILL
88	P7948088	BALL BEARING 6207ZZ
89	P7948089	SPINDLE
90A	P7948090A	ARBOR MT4/JT3
91	P7948091	CHUCK JT3 X 3/64-5/8"



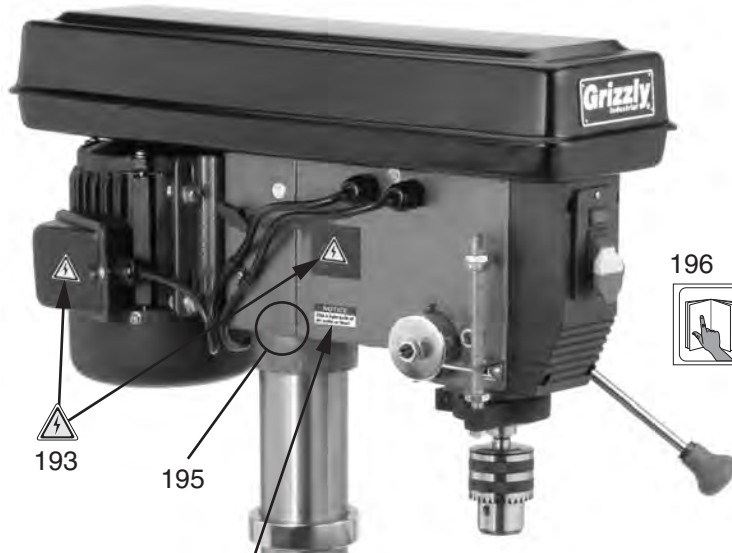
G7948 Parts List (Cont.)

REF	PART #	DESCRIPTION
92	P7948092	CHUCK KEY
93	P7948093	SWITCH BOX
95A	P7947095A	LIGHT SOCKET ASSY.
97	P7948097	HEX WRENCH 3MM
98	P7948098	HEX WRENCH 4MM
99	P7948099	DRIFT KEY
100B	P7948100B	WIRE GASKET
100C	P7948100C	MOTOR CORD
100V2	P7948100V2	POWER CORD 3W 14G 72" 5-20P V2.09.17
102	P7948102	SLEEVE MT#4/#3
104	P7948104	MOTOR FAN COVER
105	P7948105	SPEED CHART
107	P7948107	GRIZZLY BLACK/AL LABEL
110	P7948110	STRAIN RELIEF
111	P7948111	INT RETAINING RING 35MM
112	P79480112	DEGREE SCALE
113	P79480113	INDICATOR
114	P79480114	SET SCREW M10-1.5 X 28
115	P79480115	HEX NUT M10-1.5
116	P79480116	LOCK WASHER 3/4
117	P7948117	HEX NUT M12-1.5
118	P7948118	PHLP HD SCR M5-.8 X 10

REF	PART #	DESCRIPTION
119	P7948119	FLAT WASHER 5MM
120	P7948120	DEPTH STOP BRACKET
121	P7948121	DEPTH STOP SCALE STUD
122	P7948122	HEX NUT M8-1.25
123	P7948123	QUILL CLAMP
124	P7948124	CAP SCREW M8-1.25 X 20
125	P7948125	FLAT LOCK WRENCH 12/30MM
126	P7948126	CHUCK GUARD ASSEMBLY
126-1	P7948126-1	PHLP HD SCR M4-.7 X 30
126-2	P7948126-2	HEX NUT M4-.7
126-3	P7948126-3	TAP SCREW M2.2 X 4.5
126-4	P7948126-4	HEX BOLT M5-.8 X 12
126-5	P7948126-5	WING NUT M5-.8
127	P7948127	TERMINAL BAR
128	P7948128	METAL COVER
129	P7948129	PHLP HD SCR M4-.7 X 10
131	P7948131	HEX NUT M4-.7
132	P7948132	FLAT WASHER 4MM
133	P7948133	PHLP HD SCR M4-.7 X 20
135	P7948135	SUPPORT PLATE
136	P7948136	THRUST BEARING 51107
137	P7948137	HEX WRENCH 5MM



G7947/48 Labels & Cosmetics



196



191



194

NOTICE
Use a light bulb of 60 watts or less!

103V2

Grizzly Industrial		MODEL G7947 12-SPEED FLOOR DRILL PRESS	
Specifications		WARNING!	
Motor: 1-1/2 HP, 120V/240V, 1-Ph, 60 Hz Full Load: 15.8A at 120V, 7.9A at 240V Spindle to Column Distance: 8-1/2" Max Spindle to Table Distance: 29" Spindle to Base Distance: 50-1/4" Number of Spindle Speeds: 12 Floor to Table Height: 24"-45-1/2" Spindle Speeds: 180-3240 RPM Spindle Travel: 4-3/4" Spindle Taper: MT#3 Weight: 245 lbs.		To reduce the risk of serious injury when using this machine: 1. Read and understand owner's manual before operating. 2. Always wear approved safety glasses. 3. Only plug power cord into a grounded outlet. 4. Disconnect power before setting up or servicing. 5. Avoid entanglement with spindle—tie back long hair, roll up long sleeves, and DO NOT wear loose clothing, gloves, or jewelry. 6. Properly set up machine before starting. 7. Keep all guards and covers in place during operation. 8. Clamp workpiece to table to prevent rotation. 9. Avoid positioning hands where they could slip into rotating bits. 10. Always remove chuck keys and other tools before starting. 11. Never attempt to slow or stop spindle with hands or tools. 12. Use correct speeds for drilling accessories and workpiece. 13. Do not operate when tired or under influence of drugs or alcohol. 14. Do not expose to rain or use in wet locations. 15. Prevent unauthorized use by children or untrained users; restrict access or disable machine when unattended.	
DATE	MANUAL		
S/N	S/N		
Mfd. for Grizzly in China			



REF	PART #	DESCRIPTION
103V2	P7947103V2	MACHINE ID LABEL CSA V2.09.17 (G7947)
103V2	P7948103V2	MACHINE ID LABEL CSA V2.09.17 (G7948)
191	P7947191	SHOCK-PINCH LABEL
193	P7947193	ELECTRICITY WARNING LABEL

REF	PART #	DESCRIPTION
194	P7947194	60W LIGHT BULB NOTICE
195	P7947195	TOUCH-UP PAINT, GRIZZLY GREEN
196	P7947196	READ-ENTANGLE-EYE LABEL

⚠ WARNING

Safety labels help reduce the risk of serious injury caused by machine hazards. If any label comes off or becomes unreadable, the owner of this machine **MUST** replace it in the original location before resuming operations. For replacements, contact (800) 523-4777 or www.grizzly.com.

