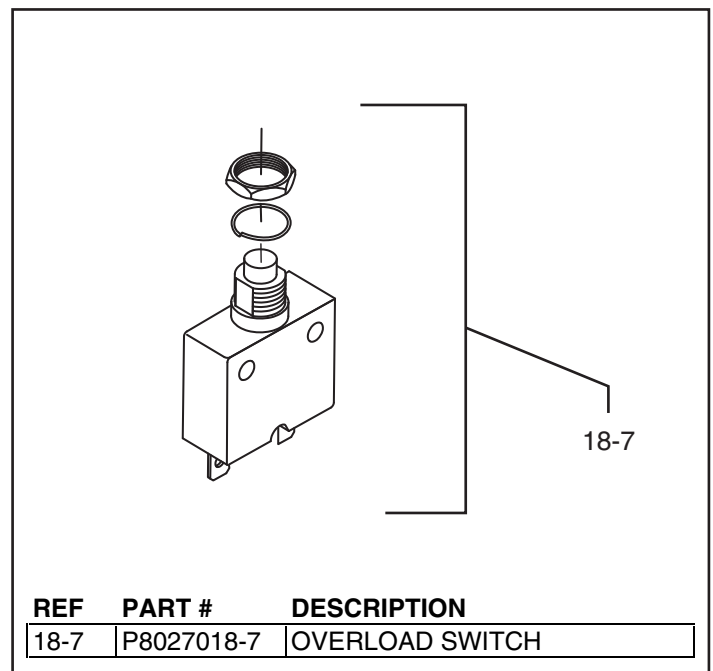
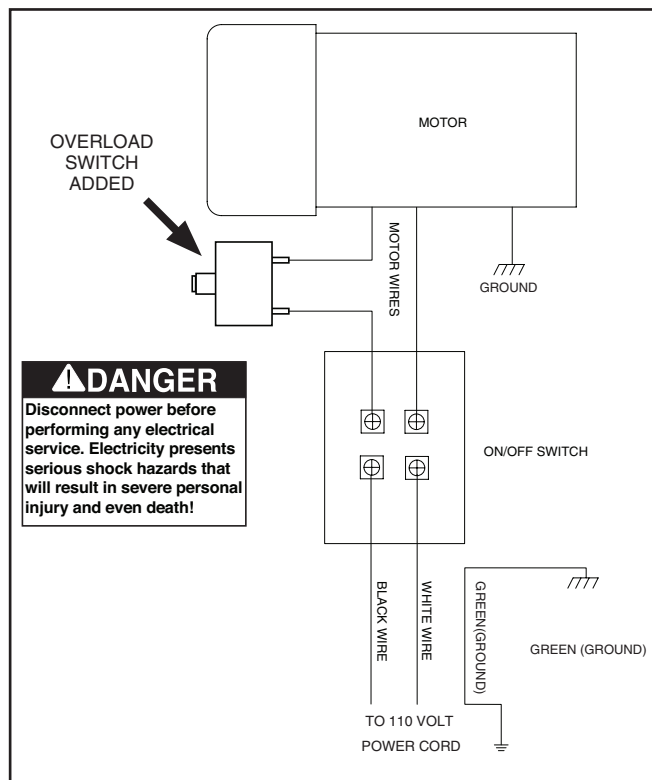




MODEL G8027 1HP DUST COLLECTOR MANUAL INSERT

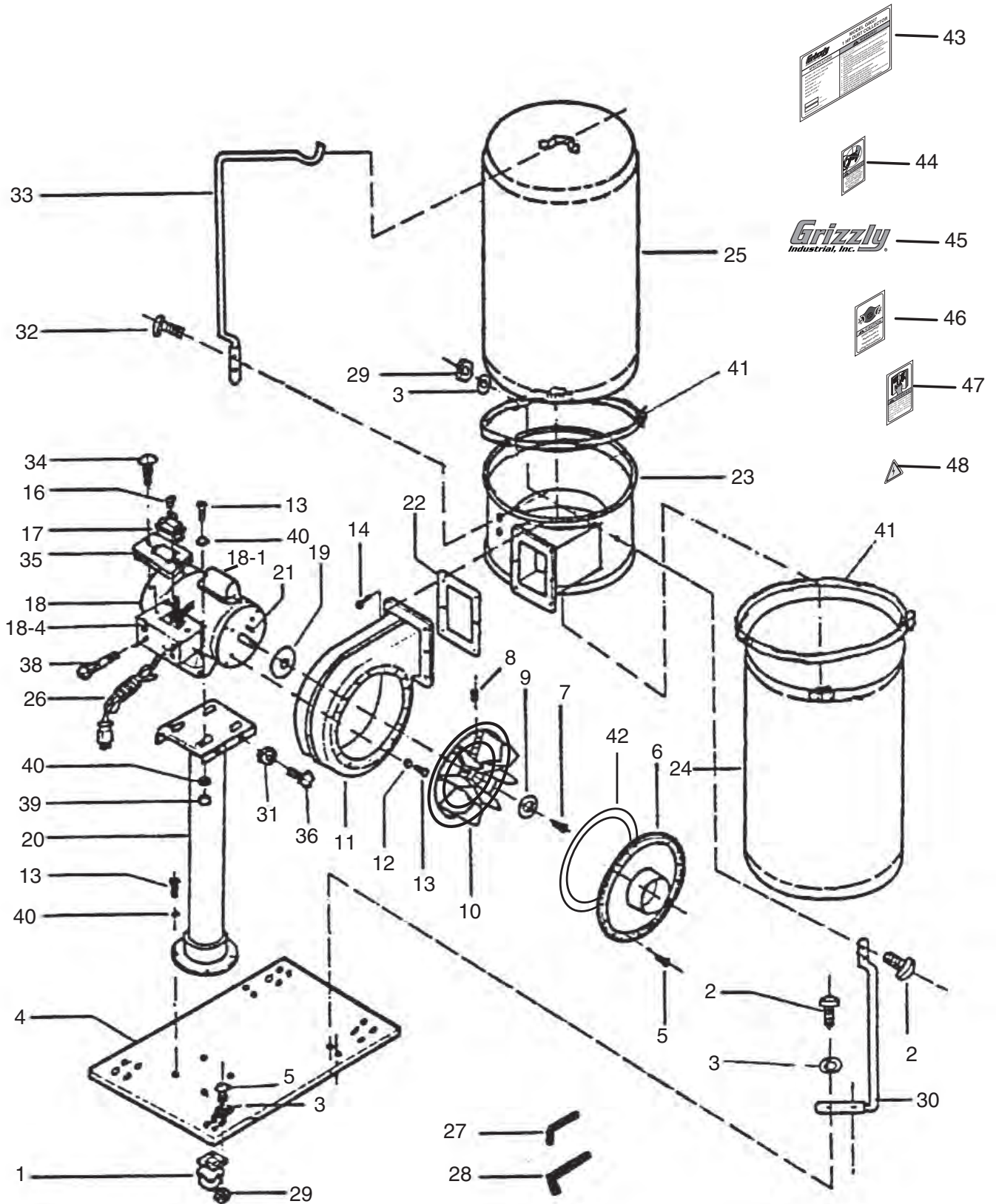
A push-button overload switch has been mounted on the machine ON/OFF switch box. Except for the difference noted in this insert, all other content in the Model G8027 owner's manual applies to this machine. Before operating your new machine, you **MUST** read and understand this insert and the entire Model G8027 manual to reduce the risk of injury when using this machine.

If you have any further questions about the differences between the owner's manual and this insert, contact our Technical Support at (570) 546-9663 or email techsupport@grizzly.com.



COPYRIGHT © MARCH, 2009 BY GRIZZLY INDUSTRIAL, INC.
WARNING: NO PORTION OF THIS MANUAL MAY BE REPRODUCED IN ANY SHAPE OR FORM WITHOUT THE WRITTEN APPROVAL OF GRIZZLY INDUSTRIAL, INC.
 (FOR MODELS MANUFACTURED 3/09+) #CR11673 PRINTED IN CHINA

G8027 Parts Breakdown



G8027 Parts List

REF	PART #	DESCRIPTION
1	P8027001	SWIVEL CASTER
2	P8027002	PHLP HD SCR M5-.8 X 15
3	P8027003	FLAT WASHER 5MM
4	P8027004	BASE PLATE
5	P8027005	PHLP HD SCR M5-.8 X 10
6	P8027006	INLET COVER
7	P8027007	CAP SCREW M6-1 X 20 LH
8	P8027008	SET SCREW M8-1.25 X 12
9	P8027009	SPECIAL WASHER
10	P8027010	IMPELLER
11	P8027011	IMPELLER HOUSING
12	P8027012	LOCK WASHER 8MM
13	P8027013	HEX BOLT M8-1.25 X 15
14	P8027014	HEX BOLT M6-1 X 15
16	P8027016	SWITCH SAFETY KEY
17	P8027017	SWITCH 110/220V
18	P8027018	MOTOR
18-1	P8027018-1	CAPACITOR COVER
18-2*	P8027018-2	MOTOR FAN COVER
18-3*	P8027018-3	MOTOR FAN
18-4	P8027018-4	COMPLETE SWITCH BOX
19	P8027019	RUBBER GASKET
20	P8027020	IMPELLER HOUSING SUPPORT
21	P8027021	FLAT PIN 5 x 30
22	P8027022	RUBBER GASKET

REF	PART #	DESCRIPTION
23	P8027023	COLLECTOR
24	P8027024	COLLECTION BAG
25	P8027025	14.5" X 23" 2.5 MICRON BAG
26	P8027026	POWER CORD
27	P8027027	HEX WRENCH 4MM
28	P8027028	HEX WRENCH 5MM
29	P8027029	HEX NUT M5-.8
30	P8027030	COLLECTOR BAG SUPPORT ROD
31	P8027031	HEX NUT M6-1
32	P8027032	PHLP HD SCR M4-.7 X 8
33	P8027033	UPPER BAG SUPPORT ROD
34	P8027034	TAP SCREW M4 X 12
35	P8027035	SWITCH PLATE
36	P8027036	HEX BOLT M6-1 X 25
38	P8027038	PHLP HD SCR M4-.7 X 60
39	P8027039	HEX NUT M8-1.25
40	P8027040	FLAT WASHER 8MM
41	P8027041	BAG CLAMP
42	P8027042	RUBBER GASKET
43	P8027043	MACHINE ID LABEL
44	P8027044	NO HAND IN INLET LABEL
45	P8027045	GRIZZLY INDUSTRIAL, INC. LABEL
46	P8027046	RESPIRATOR LABEL
47	P8027047	READ MANUAL LABEL
48	P8027048	ELECTRICITY LABEL

* Item not shown in Parts Breakdown

