

READ THIS FIRST



Model G5913Z/G7215Z/G8622

*****IMPORTANT UPDATE*****

For Machines Mfd. Since 1/17
and Owner's Manual Printed 2001

For questions or help with this product contact Tech Support at (570) 546-9663 or techsupport@grizzly.com

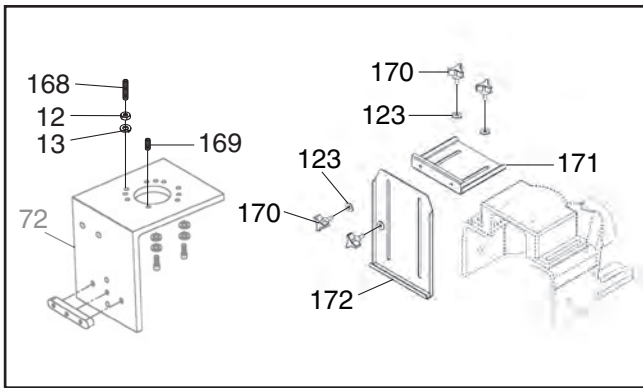
The following changes were recently made to this machine since the owner's manual was printed:

- Added an additional spindle enclosure guard.
- Changed spindle cartridge support fasteners.

Aside from this information, all other content in the owner's manual applies and **MUST** be read and understood for your own safety. **IMPORTANT: Keep this update with the owner's manual for future reference.**

For questions or help, contact our Tech Support at (570) 546-9663 or techsupport@grizzly.com.

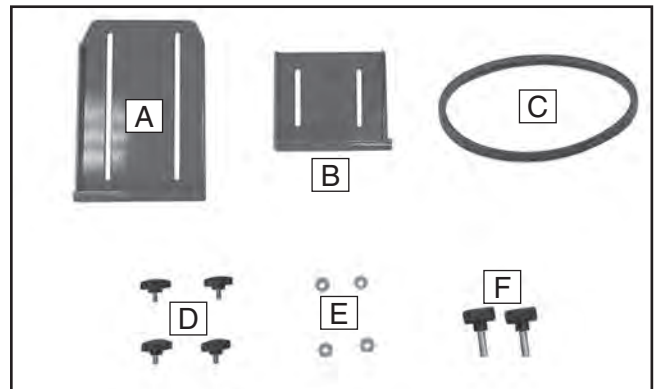
New Parts



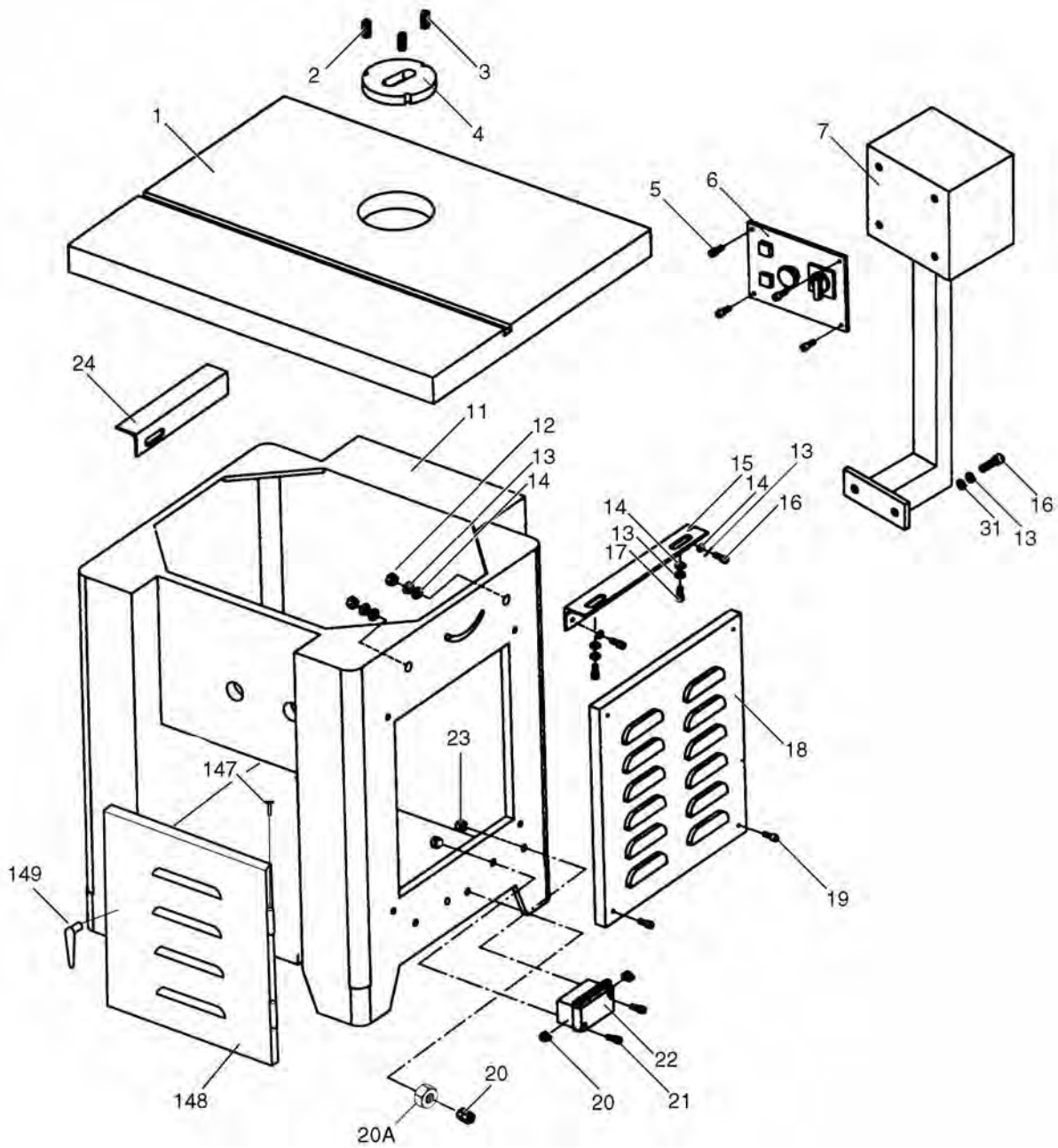
REF	PART #	DESCRIPTION
12	P5913Z012	HEX NUT 3/8-16
13	P5913Z013	LOCK WASHER 3/8
123	P5913Z123	LOCK WASHER 1/4
168	P5913Z168	SET SCREW 3/8-16 X 1
169	P5913Z169	SET SCREW 3/8-16 X 1/2
170	P5913Z170	KNOB BOLT 1/4-20 X 1/2
171	P5913Z171	FRONT GUARD EXTENSION PLATE
172	P5913Z172	FRONT SPINDLE ENCLOSURE GUARD

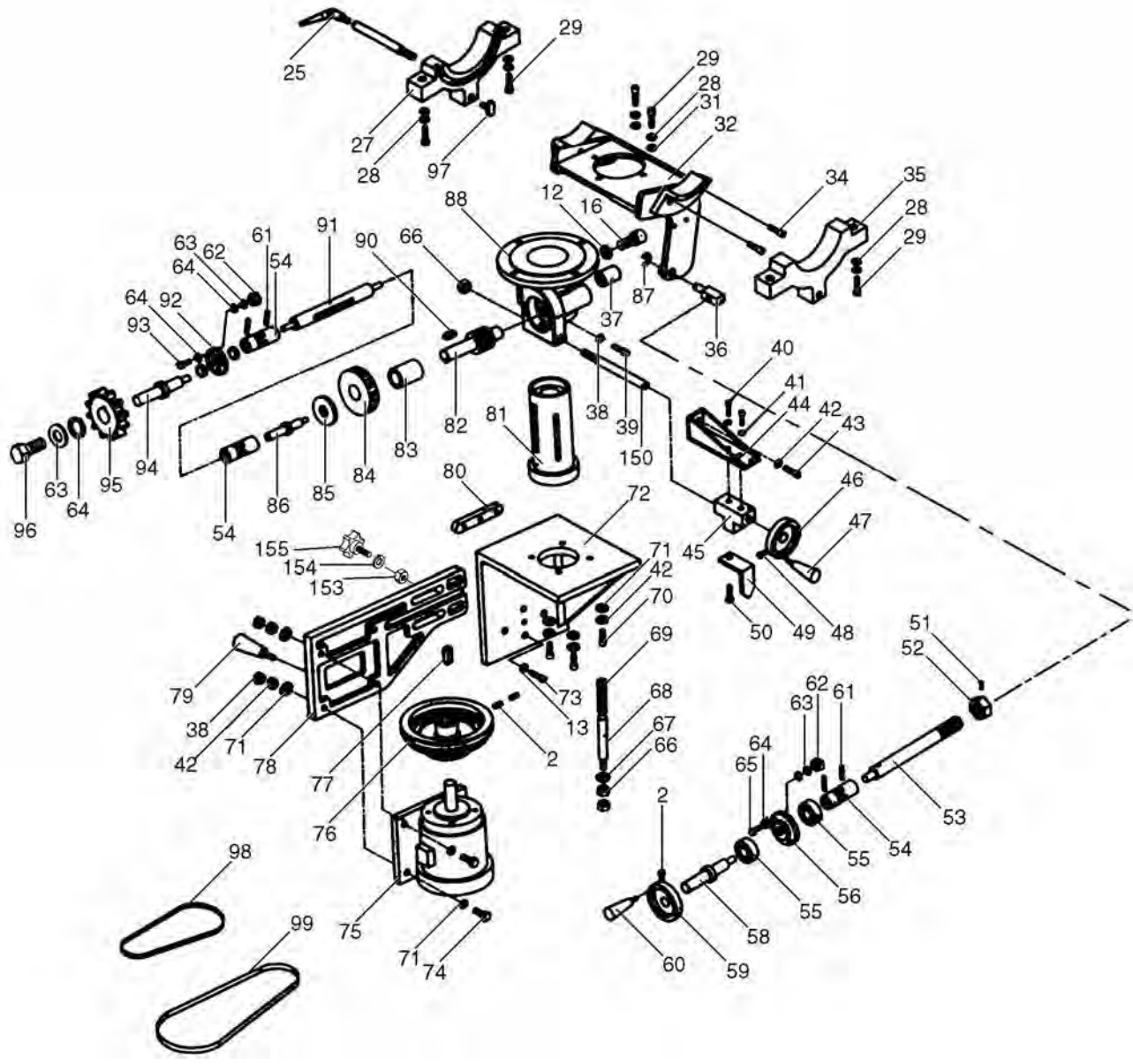
New Inventory

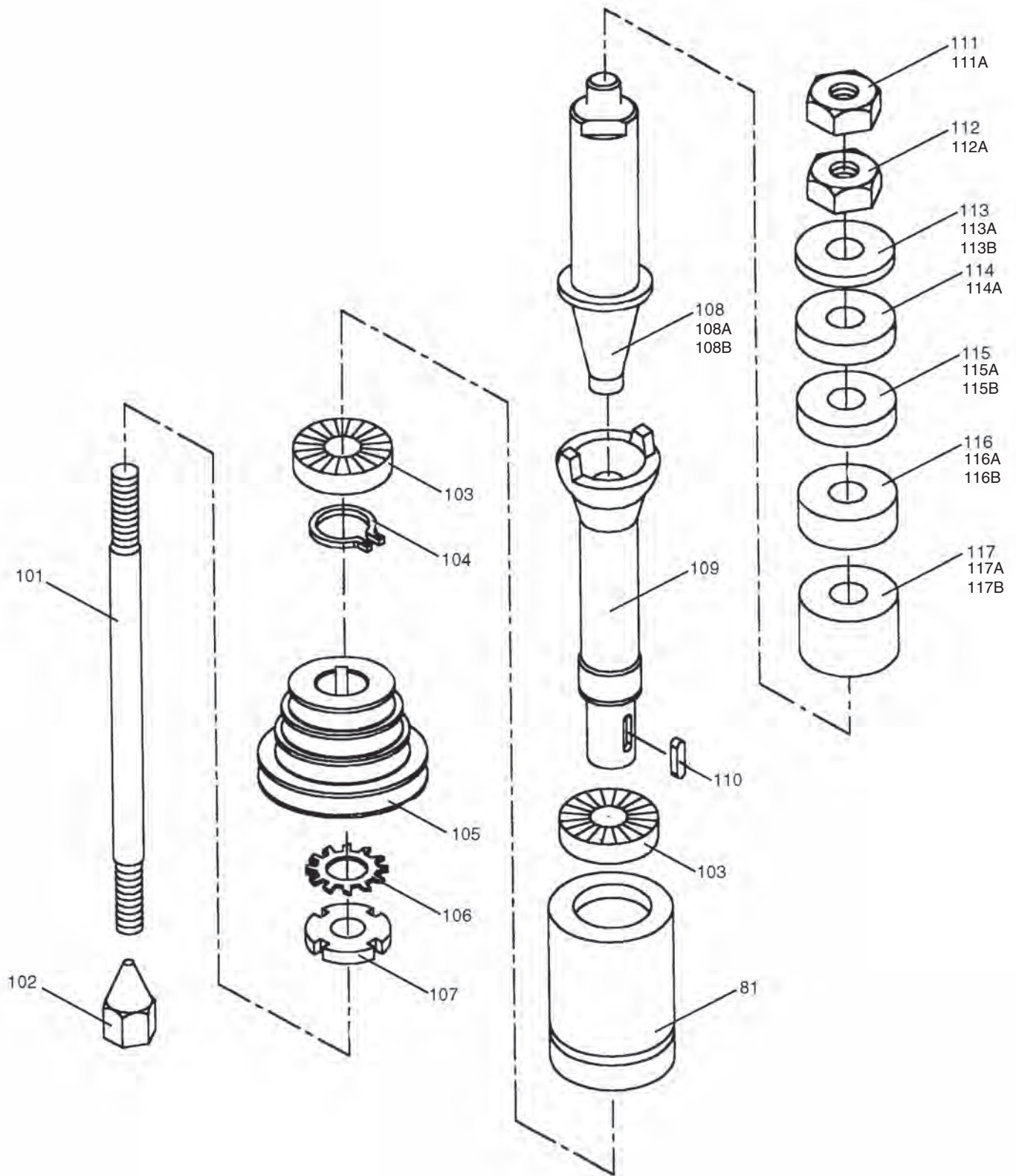
Inventory	Qty
A. Front Spindle Enclosure Guard.....	1
B. Front Guard Extension Plate.....	1
C. V-Belt A28 (G8622).....	1
D. Knob Bolts 1/4"-20 x 1/2"	2
E. Flat Washers 1/4".....	4
F. Knob Bolts 3/8"-16 x 1" (G5913Z, G7215Z). 2	
F. Knob Bolts 3/8"-16 x 1" (G8622).....	4
G. Spacer Set (G8622—Not Shown).....	22

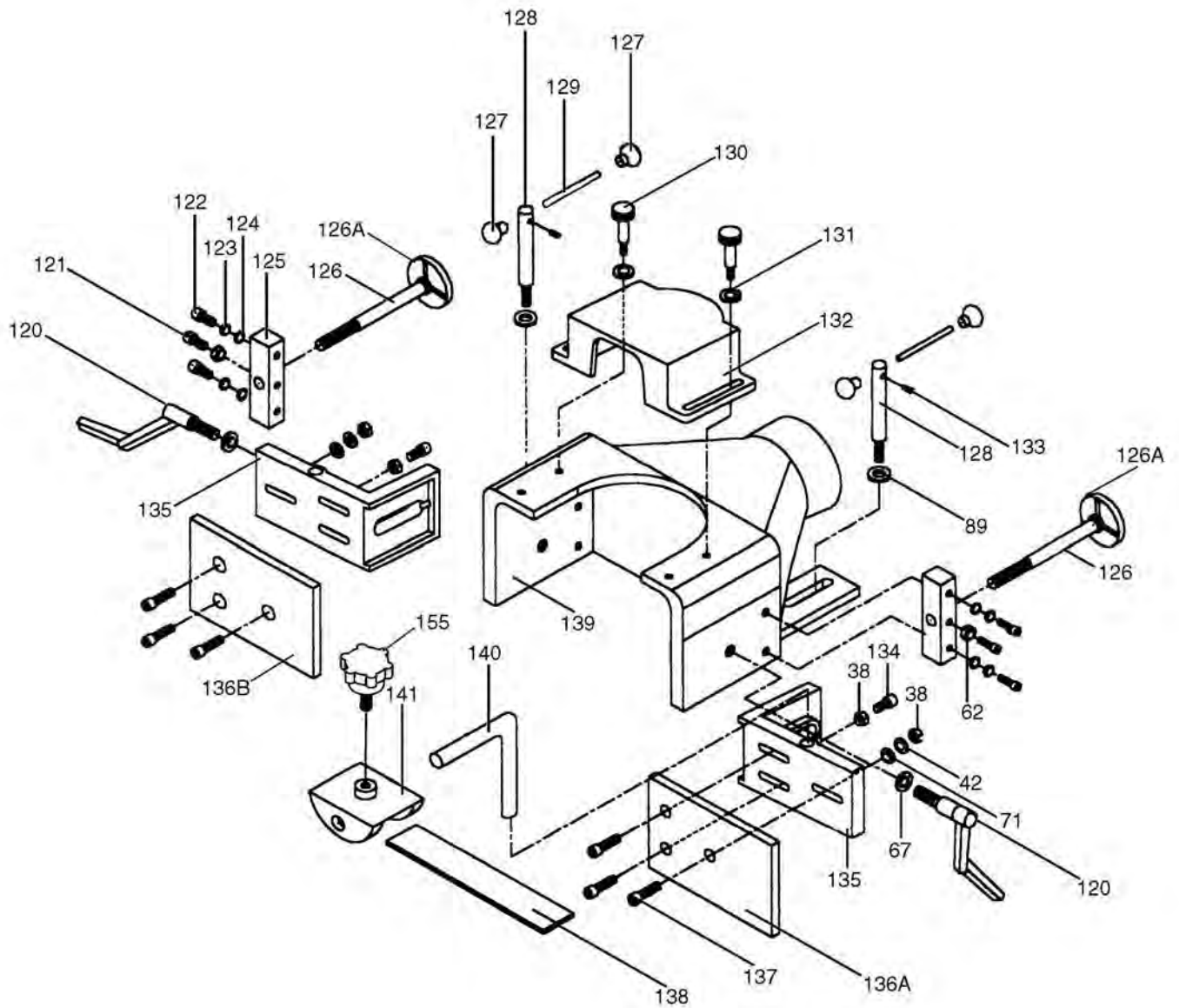


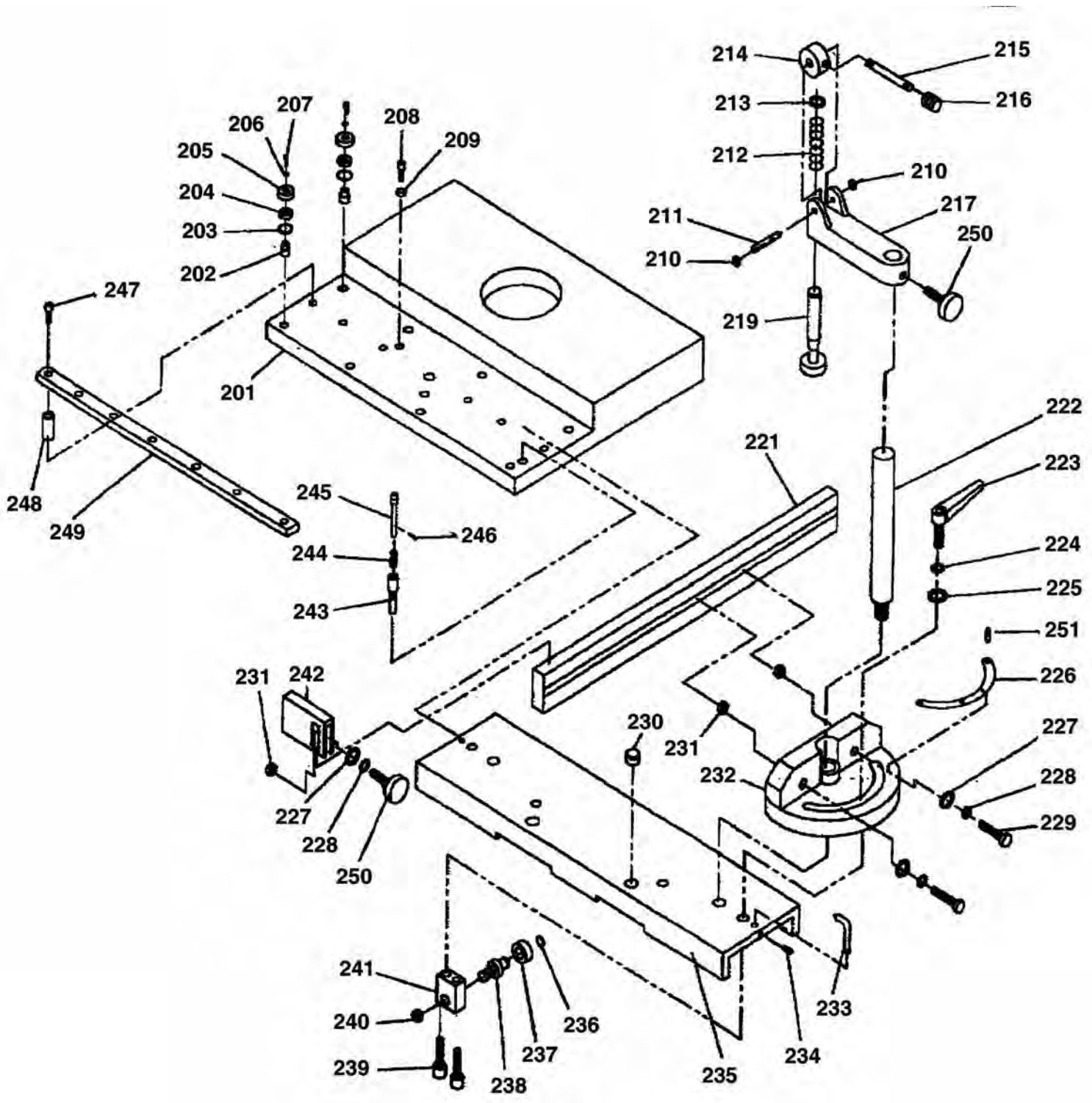
COPYRIGHT © MARCH, 2017 BY GRIZZLY INDUSTRIAL, INC.
WARNING: NO PORTION OF THIS MANUAL MAY BE REPRODUCED IN ANY SHAPE OR FORM WITHOUT THE WRITTEN APPROVAL OF GRIZZLY INDUSTRIAL, INC.
 #BL18760 PRINTED IN TAIWAN











REF	PART #	DESCRIPTION
1	P8622001	SLIDING TABLE
2	P8622002	SET SCREW 5/16-18 X 5/8
3	P8622003	PHLP HD SCR 10-24 X 3/4
4	P8622004	TABLE INSERT
5	P8622005	PHLP HD SCR 1/4-20 X 1/2
6	P8622006	SWITCH ASSY V2.01.06
6A	P8622006A	STOP SWITCH
6B	P8622006B	SWITCH 7.5 HP 3 PH
7	P8622007	SWITCH PEDESTAL ARM
7-1	P8622007-1	STOP SWITCH
7-5	P8622007-5	FORWARD/REVERSE SWITCH
11	P8622011	STAND ASSEMBLY
12	P8622012	HEX NUT 3/8-16
13	P8622013	LOCK WASHER 3/8
14	P8622014	FLAT WASHER 3/8
15	P8622015	TABLE BRACE RH
16	P8622016	HEX BOLT 3/8-16 X 1
17	P8622017	HEX BOLT 3/8-16 X 3/4
18	P8622018	MOTOR COVER
19	P8622019	PHLP HD SCR 1/4-20 X 3/4
20	P8622020	STRAIN RELIEF STRAIGHT
20A	P8622020A	STRAIN RELIEF NUT
21	P8622021	PHLP HD SCR 10-24 X 3/4
22	P8622022	ELECTRICAL BOX
23	P8622023	HEX NUT 10-24
24	P8622024	TABLE BRACE LH
25	P8622025	LOCK HANDLE
27	P8622027	TRUNNION SUPPORT LH
28	P8622028	LOCK WASHER 3/8
29	P8622029	CAP SCREW 3/8-16 X 1-1/4
31	P8622031	FLAT WASHER 3/8
32A	P8622032A	TRUNNION BRACKET V2.03.07
34	P8622034	CAP SCREW 3/8-16 X 1-1/4
35	P8622035	TRUNNION SUPPORT RH
36	P8622036	SQUARE CAPTIVE BOLT 5/8-11
37	P8622037	COLLAR
38	P8622038	HEX NUT 5/16-18
39	P8622039	HEX BOLT 5/16-18 X 1
40	P8622040	HEX BOLT 1/4-20 X 5/8
41	P8622041	FLAT WASHER 1/4
42	P8622042	FLAT WASHER 5/16
43	P8622043	HEX BOLT 5/16-18 X 3/4
44	P8622044	FIXED SOCKET
45	P8622045	FIXED T-SOCKET
46	P8622046	HANDWHEEL
47	P8622047	HANDLE
48	P8622048	SET SCREW 5/16-18 X 1/2
49	P8622049	POINTER
50	P8622050	PHLP HD SCR 10-24 X 1/4
51	P8622051	SET SCREW 1/4-20 X 1/4
52	P8622052	LOCK COLLAR 5/8-11
53	P8622053	WORM SHAFT
54	P8622054	UNIVERSAL ADAPTER
55	P8622055	THRUST BALL BEARING 15 X 32 X 12
56	P8622056	BASE GEAR SHAFT
58	P8622058	HANDWHEEL SHAFT

REF	PART #	DESCRIPTION
59	P8622059	METAL HANDWHEEL
60	P8622060	HANDLE
61	P8622061	KEY 5 X 5 X 30
62	P8622062	HEX NUT 1/4-20
63	P8622063	LOCK WASHER 1/4
64	P8622064	FLAT WASHER 1/4
65	P8622065	HEX BOLT 1/4-20 X 1-1/4
66	P8622066	HEX NUT 1/2-12
67	P8622067	FLAT WASHER 1/2
68	P8622068	SPRING SHAFT 3/8 X 340
69	P8622069	HELICAL SPRING 3.4 X 20.3
70	P8622070	CAP SCREW 5/16-18 X 1
71	P8622071	FLAT WASHER 5/16
72	P8622072	MOTOR PLATE
73	P8622073	HEX BOLT 3/8-16 X 3/4
74	P8622074	HEX BOLT 5/16-18 X 1-1/4
75A	P8622075A	MOTOR 5HP 220V 1-PH
75B	P8622075B	MOTOR 7-1/2HP 220V 3PH
76	P8622076	MOTOR PULLEY
77	P8622077	KEY 8 X 8 X 40
78	P8622078	MOTOR BASE
79	P8622079	KNOB
80	P8622080	KEY 3/4 X 3/4 X 1
81	P8622081	QUILL 8-3/4"L
82	P8622082	GEAR SHAFT
83	P8622083	COLLAR
84	P8622084	GEAR
85	P8622085	GEAR FLAT WASHER
86	P8622086	LOCK SHAFT
87	P8622087	EXT RETAINING RING 15MM
88	P8622088	SPINDLE BASE
89	P8622089	FLAT WASHER 1/2
90	P8622090	KEY 4 X 4 X 16
91	P8622091	LOCK BAR
92	P8622092	BASE GEAR
93	P8622093	HEX BOLT 1/4-20 X 1
94	P8622094	LOCK SCREW
95	P8622095	HANDWHEEL
96	P8622096	HEX BOLT 1/4-20 X 5/8
97	P8622097	T-BOLT 3/8"-16
98	P8622098	V-BELT A30
99	P8622099	V-BELT A28
101	P8622101	DRAWBAR 5/8"
102	P8622102	LOCK NUT 5/8"-11
103	P8622103	BALL BEARING 6008ZZ
104	P8622104	INT RETAINING RING 40MM
105	P8622105	SPINDLE PULLEY
106	P8622106	EXT TOOTH WASHER 30MM
107	P8622107	SPANNER NUT
108	P8622108	SPINDLE 1-1/4"
108A	P8622108A	SPINDLE 3/4"
108B	P8622108B	SPINDLE 1"
109	P8622109	SPINDLE CARTRIDGE
110	P8622110	KEY 7 X 7 X 40
111	P8622111	HEX NUT 3/4-16 LH (FOR 1" AND 1-1/4" SPINDLES)

REF	PART #	DESCRIPTION
111A	P8622111A	HEX NUT 5/8-18 LH (FOR 3/4" SPINDLE)
112	P8622112	HEX NUT 1-14 (FOR 1" AND 1-1/4" SPINDLES)
112A	P8622112A	HEX NUT 3/4-16 (FOR 3/4" SPINDLE)
113	P8622113	COLLAR 1-1/4" X 1/4" (1PC)
113A	P8622113A	COLLAR 1" X 1/4"
113B	P8622113B	COLLAR 3/4" X 1/4"
114	P8622114	COLLAR 1-1/4" X 3/8" (1PC)
114A	P8622114A	COLLAR 1" X 3/8"
115	P8622115	COLLAR 1-1/4" X 1/2" (2PC)
115A	P8622115A	COLLAR 1" X 1/2"
115B	P8622115B	COLLAR 3/4" X 1/2"
116	P8622116	COLLAR 1-1/4" X 3/4" (2PC)
116A	P8622116A	COLLAR 1" X 3/4" (2PC)
116B	P8622116B	COLLAR 3/4" X 3/4" (2PC)
117	P8622117	COLLAR 1-1/4" X 1" (2PC)
117A	P8622117A	COLLAR 1" X 1" (2PC)
117B	P8622117B	COLLAR 3/4" X 1" (2PC)
120	P8622120	HANDLE LOCK
121	P8622121	HEX BOLT 1/4-20 X 3/4
122	P8622122	HEX BOLT 1/4-20 X 1/2
123	P8622123	LOCK WASHER 1/4
124	P8622124	FLAT WASHER 1/4
125	P8622125	GUIDE SCREW BRACKET
126	P8622126	GUIDE SCREW
126A	P8622126A	HANDWHEEL
127	P8622127	KNOB
128	P8622128	GUIDE SHAFT
129	P8622129	BAR
130	P8622130	KNOB
131	P8622131	FLAT WASHER 5/16
132	P8622132	CUTTER GUARD
133	P8622133	SET SCREW 1/4-20 X 1/4
134	P8622134	HEX BOLT 5/16-18 X 3/4
135	P8622135	BRACKET ASSY FENCE LH
136A	P8622136A	WOOD FENCE ASSEMBLY 2PC
136B	P8622136B	WOOD FENCE ASSEMBLY 2PC
137	P8622137	SET SCREW 1/4-20 X 1/4
138	P8622138	HOLD DOWN PLATE
139	P8622139	GUARD/DUST HOOD
140	P8622140	BAR
141	P8622141	RETAINER L 5/8"
142	P8622142	HANDLE LOCK V1.08.98
143	P8622143	NUT 3/8
144	P8622144	BRACKET ASSY FENCE LH
145	P8622145	KNOB
146	P8622146	RETAINER S 1/2"
147	P8622147	HINGE PIN
148	P8622148	FRONT STAND COVER
149	P8622149	COVER HANDLE
150	P8622150	GEAR SHAFT
151	P8622151	HEX BOLT 1/2-12 X 1-1/2
152	P8622152	LOCK WASHER 1/2
153	P8622153	HEX NUT 1/2-13
155	P8622155	KNOB
201	P8622201	TABLE

REF	PART #	DESCRIPTION
202	P8622202	ECCENTRIC PULLEY SHAFT
203	P8622203	EXT RETAINING RING 35MM
204	P8622204	BALL BEARING 6202ZZ
205	P8622205	PULLEY
206	P8622206	LOCK WASHER 5/16
207	P8622207	CAP SCREW 5/16-18 X 1-1/2
208	P8622208	CAP SCREW 1/2-13 X 1-1/2
209	P8622209	HEX NUT 1/2-12
210	P8622210	E-CLIP 8MM
211	P8622211	CAPTIVE PIN
212	P8622212	COMPRESSION SPRING 15 X 18
213	P8622213	EXT RETAINING RING 15MM
214	P8622214	CLAMP WHEEL
215	P8622215	CLAMP LEVER
216	P8622216	PLASTIC NUT 3/8-16
217	P8622217	CLAMP BASE
218	P8622218	KNOB BOLT 3/8"
219	P8622219	PRESS WOOD SPRING SHAFT
220	P8622220	*DISCD*PRESS WOOD BASE
221	P8622221	MITER FENCE
222	P8622222	CLAMP MOUNTING SHAFT
223	P8622223	LOCK HANDLE
224	P8622224	LOCK WASHER 1/2
225	P8622225	FLAT WASHER 1/2
226	P8622226	MITER SCALE
227	P8622227	FLAT WASHER 3/8
228	P8622228	LOCK WASHER 3/8
229	P8622229	HEX BOLT 3/8-16 X 1-1/2
230	P8622230	COVER
231	P8622231	HEX NUT 3/8-16
232	P8622232	MITER GAUGE BODY
233	P8622233	POINTER
234	P8622234	PHLP HD SCR 10-24 X 1/4
235	P8622235	GUIDE TABLE
236	P8622236	EXT RETAINING RING 10MM
237	P8622237	BALL BEARING 6900ZZ
238	P8622238	ECCENTRIC PULLEY SHAFT
239	P8622239	CAP SCREW 1/4-20 X 1-1/4
240	P8622240	LOCK NUT 3/8-16
241	P8622241	BEARING BASE
242	P8622242	LOCK PLATE
243	P8622243	TABLE SHAFT
244	P8622244	COMPRESSION SPRING 1.2 X 10.4
245	P8622245	FIXED SPRING SHAFT
246	P8622246	ROLL PIN 3 X 16MM
247	P8622247	CAP SCREW 1/4-20 X 1-1/2
248	P8622248	SPACER
249	P8622249	ORBIT GUIDE
250	P8622250	KNOB BOLT 3/8"
251	P8622251	PIVOT
252	P8622252	HEX BOLT 3/8-16 X 1
253	P8622253	FLAT WASHER 3/8
254	P8622254	FLAT WASHER 5/16
1001	P86221001	GRIZZLY NAMEPLATE 8 X 3.5"
1002	P86221002	PULLEY LABEL