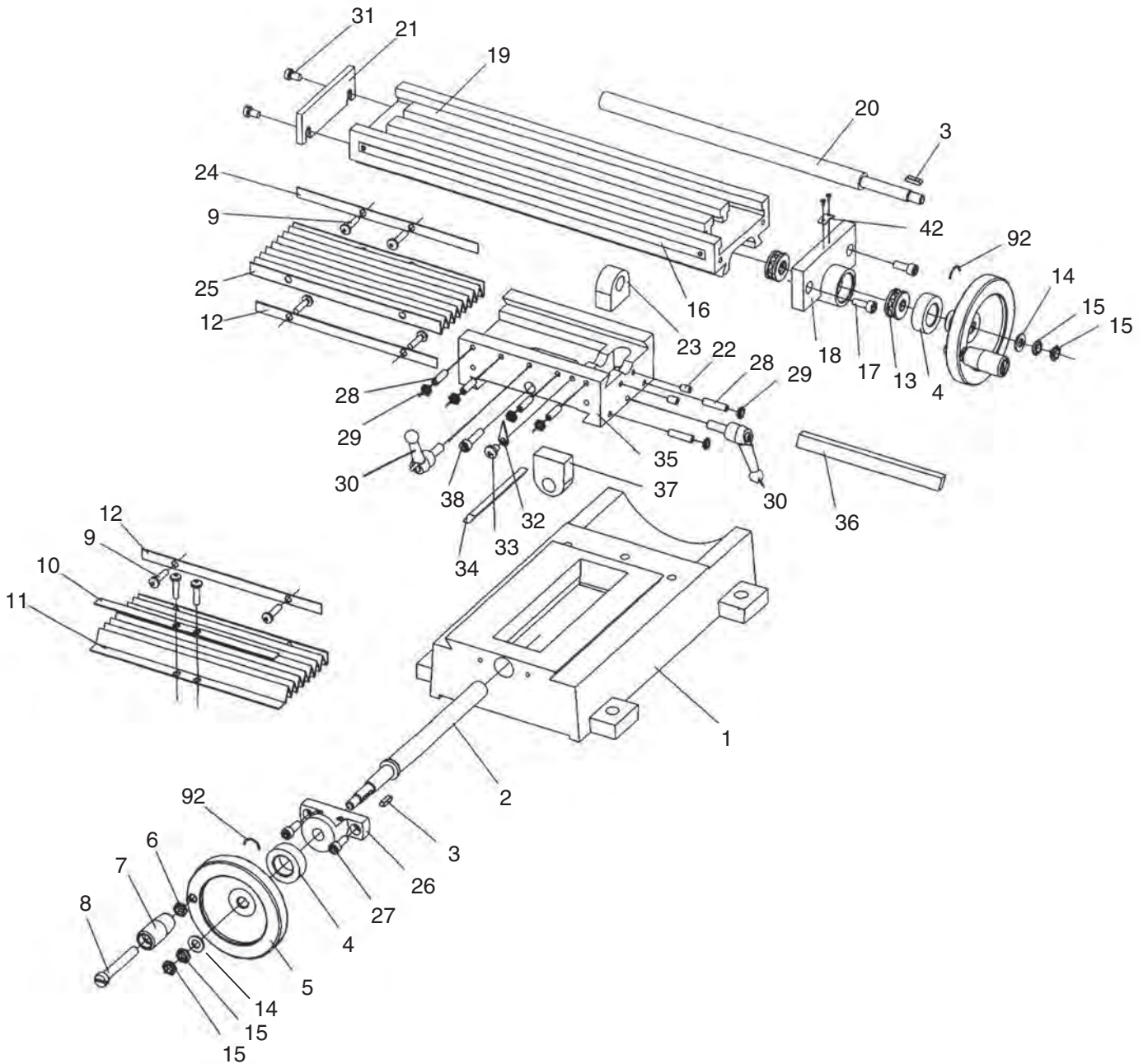


G8689 Table Assembly



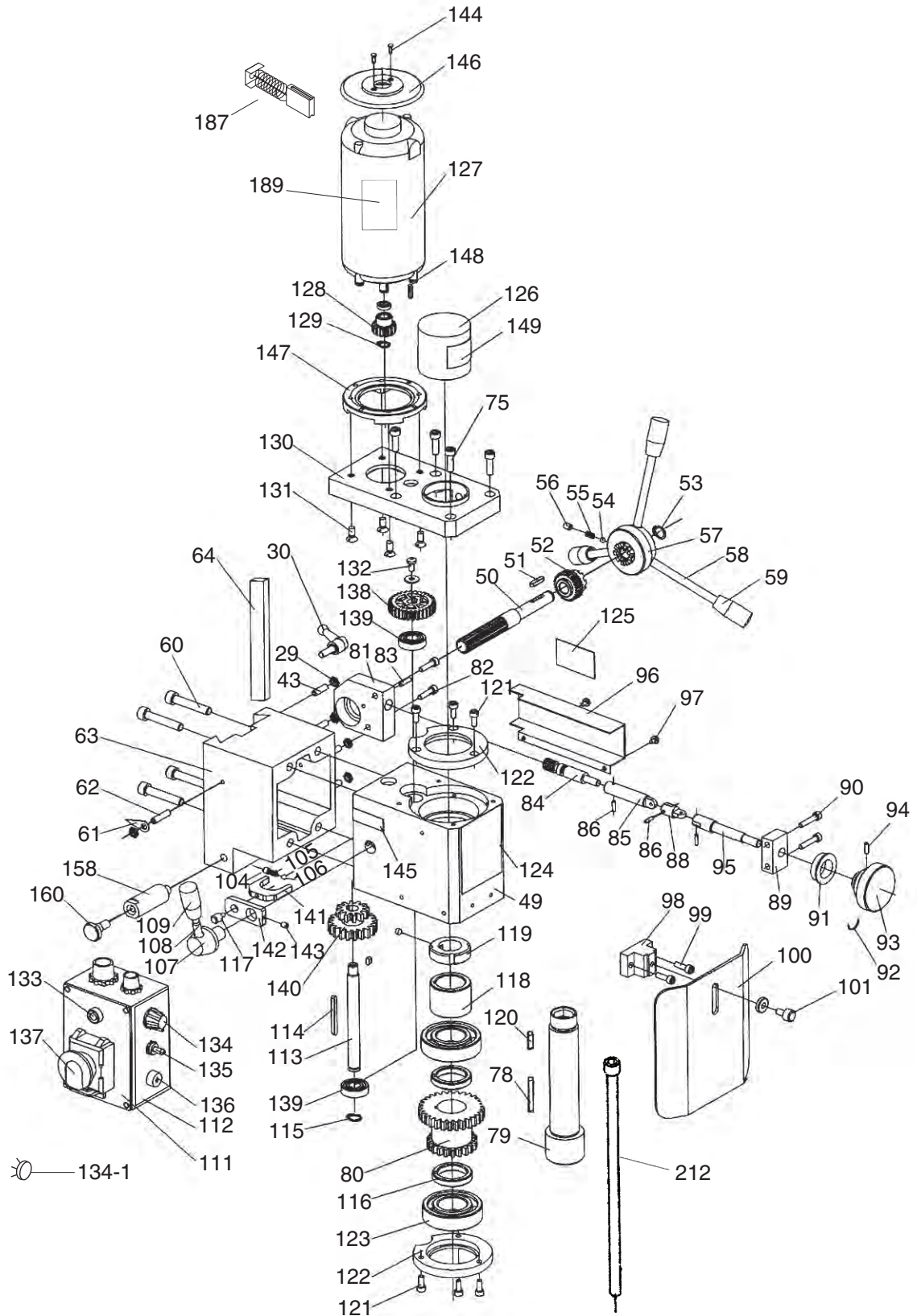
G8689 Parts List

REF	PART #	DESCRIPTION
1	P8689001	BASE
2	P8689002	Y-AXIS LEAD SCREW
3	P8689003	KEY 4 X 4 X 16
4	P8689004	DIAL
5	P8689005	HANDWHEEL
6	P8689006	HEX NUT M8-1.25
7	P8689007	HANDLE
8	P8689008	SHOULDER BOLT M8-1.25 X 55
9	P8689009	CAP SCREW M6-1 X 8
10	P8689010	HOLDING PLATE
11	P8689011	DUST GUARD COVER
12	P8689012	HOLDING PLATE
13	P8689013	BALL BEARING 8200
14	P8689014	FLAT WASHER 8MM
15	P8689015	HEX NUT M8-1.25
16	P8689016	X-AXIS SCALE
17	P8689017	CAP SCREW M6-1 X 16
18	P8689018	X-AXIS BEARING SEAT
19	P8689019	WORKING TABLE
20	P8689020	X-AXIS LEAD SCREW
21	P8689021	END COVER
22	P8689022	SET SCREW M6-1 X 10
23	P8689023	X-AXIS SCREW NUT
24	P8689024	HOLDING PLATE
25	P8689025	DUST GUARD COVER
26	P8689026	SCREW SEAT
27	P8689027	CAP SCREW M6-1 X 16
28	P8689028	SET SCREW M6-1 X 22
29	P8689029	HEX NUT M6-1
30	P8689030	LOCK HANDLE
31	P8689031	PHLP HD SCR M6-1 X 10
32	P8689032	POINTER
33	P8689033	PHLP HD SCR M6-1 X 8
34	P8689034	Y-AXIS GIB
35	P8689035	SADDLE
36	P8689036	X-AXIS GIB
37	P8689037	Y- AXIS SCREW NUT
38	P8689038	CAP SCREW M6-1 X 25
39	P8689039	PIVOT PLATE
40	P8689040	LOCK WASHER 10MM
41	P8689041	CAP SCREW M10-1.5 X 30
42	P8689042	POINTER
43	P8689043	SET SCREW M6-1 X 22
44	P8689044	SCALE
45	P8689045	GIB
46	P8689046	GEAR RACK 13 1/8"
47	P8689047	FLAT HD SCR M6-1 X 12

REF	PART #	DESCRIPTION
49	P8689049	SPINDLE BOX
50	P8689050	PINION
51	P8689051	KEY 4 X 4 X 25
52	P8689052	BEVEL GEAR
53	P8689053	EXT RETAINING RING 12MM
54	P8689054	STEEL BALL 5MM
55	P8689055	COMPRESSION SPRING .4 X .8 X 10
56	P8689056	SET SCREW M6-1 X 8
57	P8689057	HANDLE STOCK
58	P8689058	OPERATING LEVER
59	P8689059	LEVER CAP
60	P8689060	CAP SCREW M8-1.25 X 25
61	P8689061	POINTER
62	P8689062	SET SCREW M6-1 X 25
63	P8689063	SPINDLE BOX SEAT
64	P8689064	GIB
65	P8689065	LIMIT BLOCK
66	P8689066	GIB
67	P8689067	SCALE
68	P8689068	COLUMN
69	P8689069	ELECTRIC BOX
70	P8689070	LOCK NUT M24-3
71	P8689071	UNIQUE FLAT WASHER 10MM
72	P8689072	CONNECTING STRUT
75	P8689075	CAP SCREW M6-1 X 20
78	P8689078	KEY 5 X 5 X 40
79	P8689079	SPINDLE
80	P8689080	TRANSMISSION GEAR (WIDE)
81	P8689081	SUPPORT BLOCK
82	P8689082	PHLP HD SCR M5-.8 X 20
83	P8689083	SOLID PIN 4 X 15
84	P8689084	WORM
85	P8689085	SLEEVE
86	P8689086	ROLL PIN 3 X 12
88	P8689088	ADJUSTABLE UNION
89	P8689089	BRACKET
90	P8689090	PHLP HD SCR M5-.8 X 25
91	P8689091	DIAL
92	P8689092	FLAT SPRING
93	P8689093	SMALL HANDWHEEL
94	P8689094	SET SCREW M5-.8 X 16
95	P8689095	SMALL SHAFT
96	P8689096	COVER
97	P8689097	PHLP HD SCR M4-.7 X 6
98	P8689098	DUST COVER SUPPORT
99	P8689099	CAP SCREW M5-.8 X 16



G8689 Head Assembly



G8689 Parts List

REF	PART #	DESCRIPTION
100	P8689100	CHIP GUARD
101	P8689101	KNURLED SCREW M6-1 X 12
102	P8689102	SPACER
103	P8689103	CAP SCREW M6-1 X 16
104	P8689104	SET SCREW M6-1 X 6
105	P8689105	COMPRESSION SPRING
106	P8689106	STEEL BALL 5MM
107	P8689107	HANDLE SEAT
108	P8689108	OPERATING LEVER
109	P8689109	HANDLE
110	P8689110	ELECTRICITY LABEL
111	P8689111	CONTROLLER BOX W/ELEC
112	P8689112	LABEL FOR CONTROLLER
113	P8689113	IDLER SHAFT
114	P8689114	KEY 4 X 4 X 45
115	P8689115	INT RETAINING RING 12MM
116	P8689116	SPACING RING
117	P8689117	SMALL SHAFT
118	P8689118	SPACING RING
119	P8689119	SPINDLE NUT
120	P8689120	KEY 5 X 5 X 30
121	P8689121	CAP SCREW M5-.8 X 8
122	P8689122	BEARING COVER
123	P8689123	BALL BEARING 80206
124	P8689124	MACHINE ID LABEL
125	P8689125	FINE FEED LABEL
126	P8689126	PROTECTING COVER
127	P8689127	MOTOR
128	P8689128	MOTOR GEAR
129	P8689129	INT RETAINING RING 10MM
130	P8689130	MOTOR SEAT
131	P8689131	FLAT HD SCR M6-1 X 12
132	P8689132	PHLP HD SCR M5-.8 X 8
133	P8689133	LAMP
134	P8689134	SPEED CONTROL KNOB
134-1	P8689134-1	POTENTIOMETER
135	P8689135	SWITCH
136	P8689136	FUSE BOX
137	P8689137	EMERGENCY STOP SWITCH
138	P8689138	GEAR
139	P8689139	BALL BEARING 80101
140	P8689140	TRANSMISSION GEAR (NARROW)
141	P8689141	BAR
142	P8689142	LINKING BOARD
143	P8689143	SET SCREW M5-.8 X 8
144	P8689144	SELF TAP SCR ST2.9 X 8

REF	PART #	DESCRIPTION
145	P8689145	HIGH/LOW LABEL
146	P8689146	MOTOR COVER
147	P8689147	MOTOR FLANGE
148	P8689148	PHLP HD SCR M6-1 X 10
149	P8689149	READ MANUAL
150	P8689150	PC BOARD
151	P8689151	COLLAR
152	P8689152	ROTOR SHAFT
153	P8689153	KEY 4 X 4 X 6
154	P8689154	SPRING SUPPORT
155	P8689155	TORSION SPRING
156	P8689156	COVER
157	P8689157	ACORN NUT M8-1.25
158	P8689158	STUD
159	P8689159	SUPPORTING SHANK
160	P8689160	SHLDR BOLT M8-1.25 X 25
161	P8689161	SLEEVE
162	P8689162	FLAT WASHER 8MM
163	P8689163	COVER
164	P8689164	TOP COVER
165	P8689165	PHLP HD SCR M3-.5 X 6
166	P8689166	WRENCH 8 X 10
167	P8689167	WRENCH 14 X 17
168	P8689168	WRENCH 17 X 19
169	P8689169	WRENCH 36MM
170	P8689170	COLLET MT#3 X 3/8
171	P8689171	COLLET MT#3 X 1/2
172	P8689172	HEX WRENCH 3MM
173	P8689173	HEX WRENCH 4MM
174	P8689174	HEX WRENCH 5MM
175	P8689175	HEX WRENCH 6MM
176	P8689176	CHUCK KEY
177	P8689177	OILER
178	P8689178	T-NUTS M10-1.5
179	P8689179	SPANNER WRENCH
180	P8689180	LOCKING PIN
181	P8689181	DRILL CHUCK 1/2-B16
182	P8689182	ARBOR MT#3-B16
183	P8689183	SHAFT
184	P8689184	KEY 8 X 8 X 12
185	P8689185	FLAT WASHER 10MM
186	P8689186	RIVET
187	P8689187	MOTOR BRUSH
188	P8689188	COOLING FAN
189	P8689189	FACE SHIELD & SAFETY GLASSES
212	P8689212	DRAWBAR



G8689 Column Assembly

